

FRY-TOP ELETTRICI

Serie 900

TIPO: 9FT/E400, 9FT/E405, 9FT/E410, 9FT/E415, 9FT/E800, 9FT/E805, 9FT/E810, 94FT/E815, 9FT/E820, 9FT/E825, 9FTV/E400, 9FTV/E405, 9FTV/E410, 9FTV/E415, 9FTV/E800, 9FTV/E805, 9FTV/E810, 9FTV/E815, 9FTV/E820, 9FTV/E825

Ricambio



8. Parti di ricambio

Parti esterne.....33

Componenti interni.....35

8.1 Codici di voltaggio

| Voltaggio | Codice di voltaggio |
|-----------|----------------------|
| A | 3/N/PE~400/230V 50Hz |
| B | ~250V 16A 50Hz |
| C | 3/N/PE~380/220V 50Hz |
| D | 3/PE~200V 50-60Hz |
| F | 2/PE 220-240V 50Hz |
| G | 3/N/PE~415/240V 50Hz |
| H | 3/PE~230V 50Hz |
| I | 3/PE~220V 60Hz |
| J | 3/PE~380 50Hz |
| K | 3/PE~400V 50Hz |
| L | 3/PE~415V 50Hz |
| M | 3/PE~440V 60Hz |
| N | 3/PE~460V 60Hz |
| O | 3/PE~480V 60Hz |
| P | 1/N/PE~220-240V 50Hz |
| R | 2/PE~220-230V 60Hz |
| S | 3/N/PE~400/230V 50Hz |
| T | 3/PE~230V 60Hz |
| U | 1/N/PE~100V 50-60Hz |

8.2 Codici dei prodotti

| Codici del prodotto | Nome completo |
|---------------------|---------------|
| Codici dei tipi | |
| 400 | 9FT/E400 |
| 405 | 9FT/E405 |
| 410 | 9FT/E410 |
| 415 | 9FT/E415 |
| 800 | 9FT/E800 |
| 805 | 9FT/E805 |
| 810 | 9FT/E810 |
| 815 | 9FT/E815 |
| 820 | 9FT/E820 |
| 825 | 9FT/E825 |
| 400V | 9FTV/E400 |
| 405V | 9FTV/E405 |
| 410V | 9FTV/E410 |
| 415V | 9FTV/E415 |
| 800V | 9FTV/E800 |
| 805V | 9FTV/E805 |
| 810V | 9FTV/E810 |
| 815V | 9FTV/E815 |
| 820V | 9FTV/E820 |
| 825V | 9FTV/E825 |

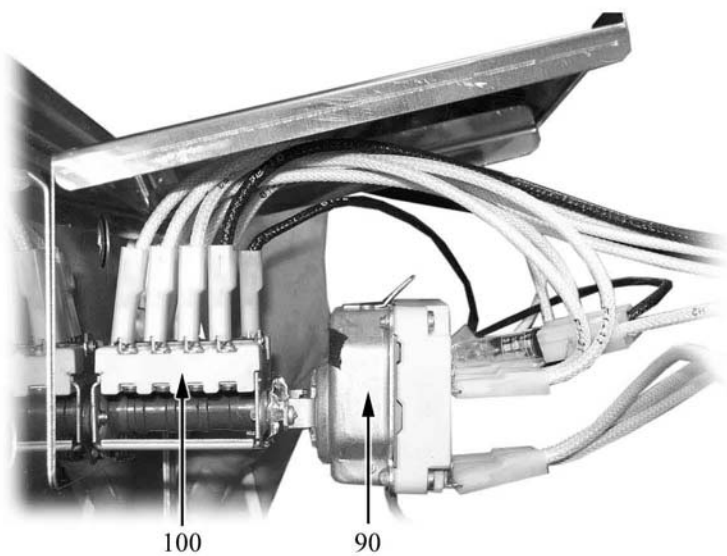
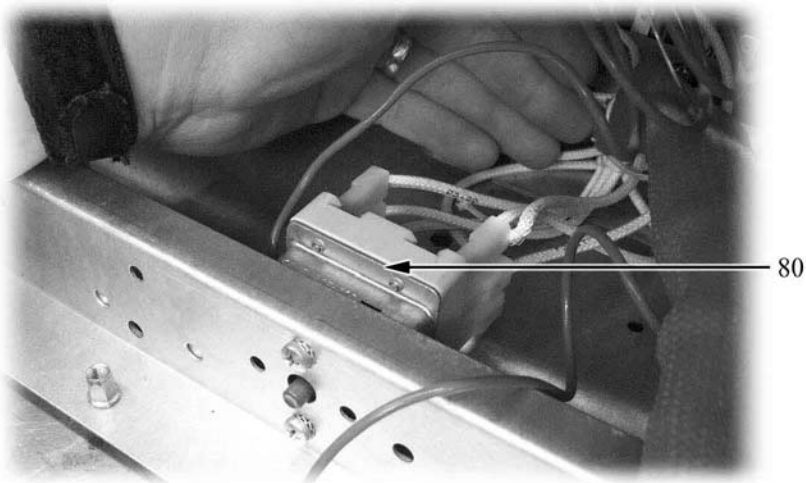
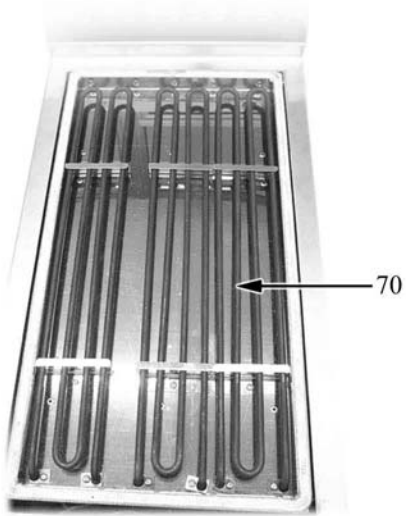


Parti di ricambio

| ID | Tipo | Descrizione | Codici del produttore |
|------------------------------|----------|----------------------|-----------------------|
| Module: Parti esterne | | | |
| 10 | | Piedino | 826490142 |
| 20 | | Cassetto | 2546510 |
| 35 | 400,400V | Piastra | 826470610 |
| | 410,410V | Piastra | 826470670 |
| | 405,405V | Piastra | 826470710 |
| | 415,415V | Piastra | 826470770 |
| | 800,800V | Piastra | 826470620 |
| | 820,820V | Piastra | 826470640 |
| | 810,810V | Piastra | 826470680 |
| | 805,805V | Piastra | 826470720 |
| | 825,825V | Piastra | 826470740 |
| | 815,815V | Piastra | 826470780 |
| 40 | | Manopola | 824710250 |
| 41 | | Guarnizione manopola | 825110510 |
| 50 | | Gemma verde | 826650050 |
| 55 | | Segnalatori luminosi | 6A038506 |
| 60 | | Gemma bianca | 6A039207 |

400=9FT/E400, 405=9FT/E405, 410=9FT/E410, 415=9FT/E415, 800=9FT/E800, 805=9FT/E805, 810=9FT/E810, 815=9FT/E, 820=9FT/E820, 825=9FT/E825, 400V=9FTV/E400, 405V=9FTV/E405, 410V=9FTV/E410, 415V=9FTV/E415, 800V=9FTV/E800, 805V=9FTV/E805, 810V=9FTV/E810, 815V=9FTV/E815, 820V=9FTV/E820, 825V=9FTV/E825

A=3/N/PE~400/230V 50Hz, H=3/PE~230V 50Hz, P=1/N/PE~220-240V 50Hz



Parti di ricambio

| ID | Tipo | Descrizione | Codici del produttore |
|----------------------------------|------|----------------------|-----------------------|
| Module:Componenti interni | | | |
| 70 | | Resistenza 2666 W | 826620061 |
| 80 | | Termostato sicurezza | 826630130 |
| 90 | | Termostato | 826630123 |
| 100 | | Commutatore | 6A046001 |

400=9FT/E400, 405=9FT/E405, 410=9FT/E410, 415=9FT/E415, 800=9FT/E800, 805=9FT/E805, 810=9FT/E810, 815=9FT/E, 820=9FT/E820, 825=9FT/E825, 400V=9FTV/E400, 405V=9FTV/E405, 410V=9FTV/E410, 415V=9FTV/E415, 800V=9FTV/E800, 805V=9FTV/E805, 810V=9FTV/E810, 815V=9FTV/E815, 820V=9FTV/E820, 825V=9FTV/E825

A=3/N/PE~400/230V 50Hz, H=3/PE~230V 50Hz, P=1/N/PE~220-240V 50Hz

