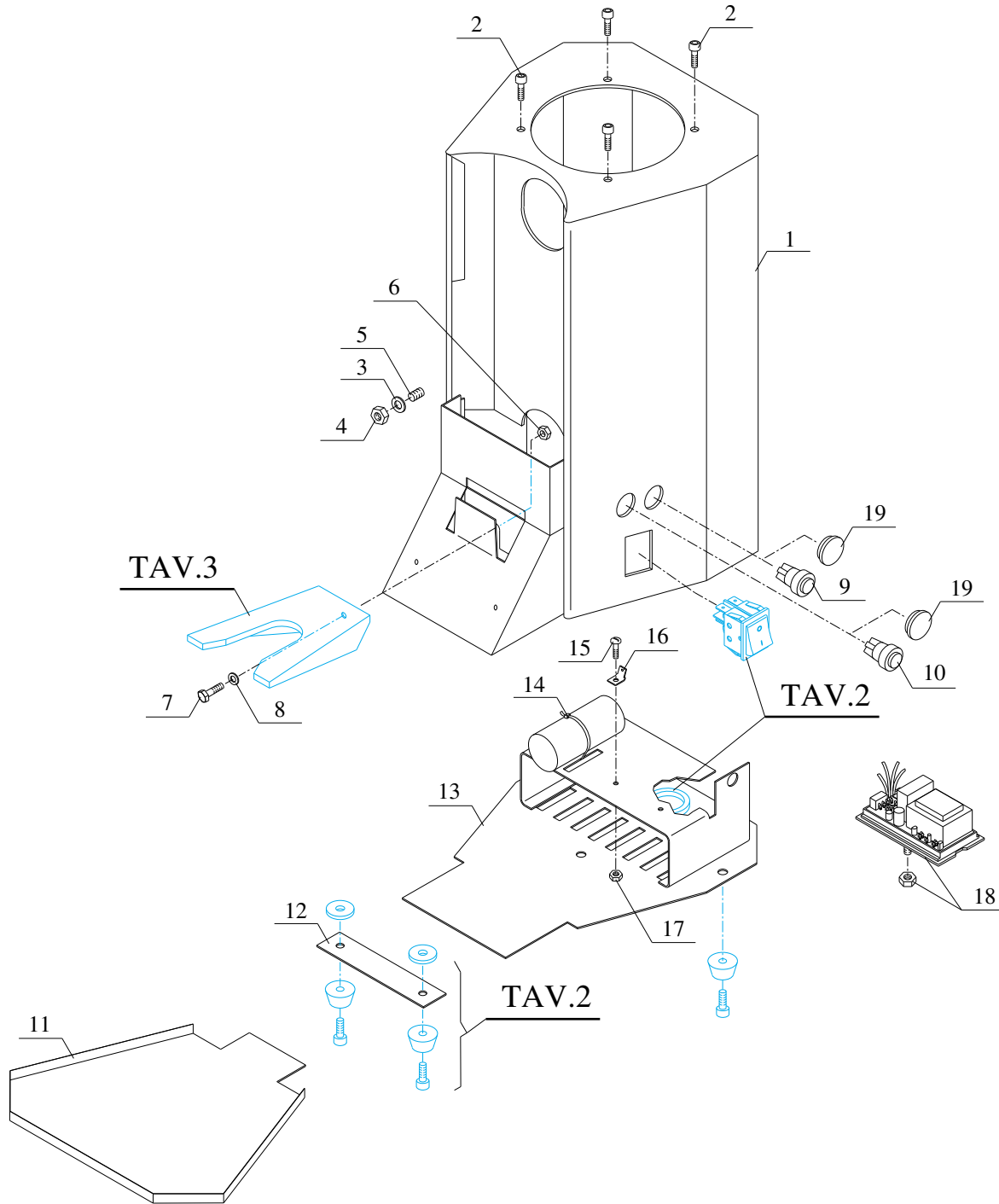




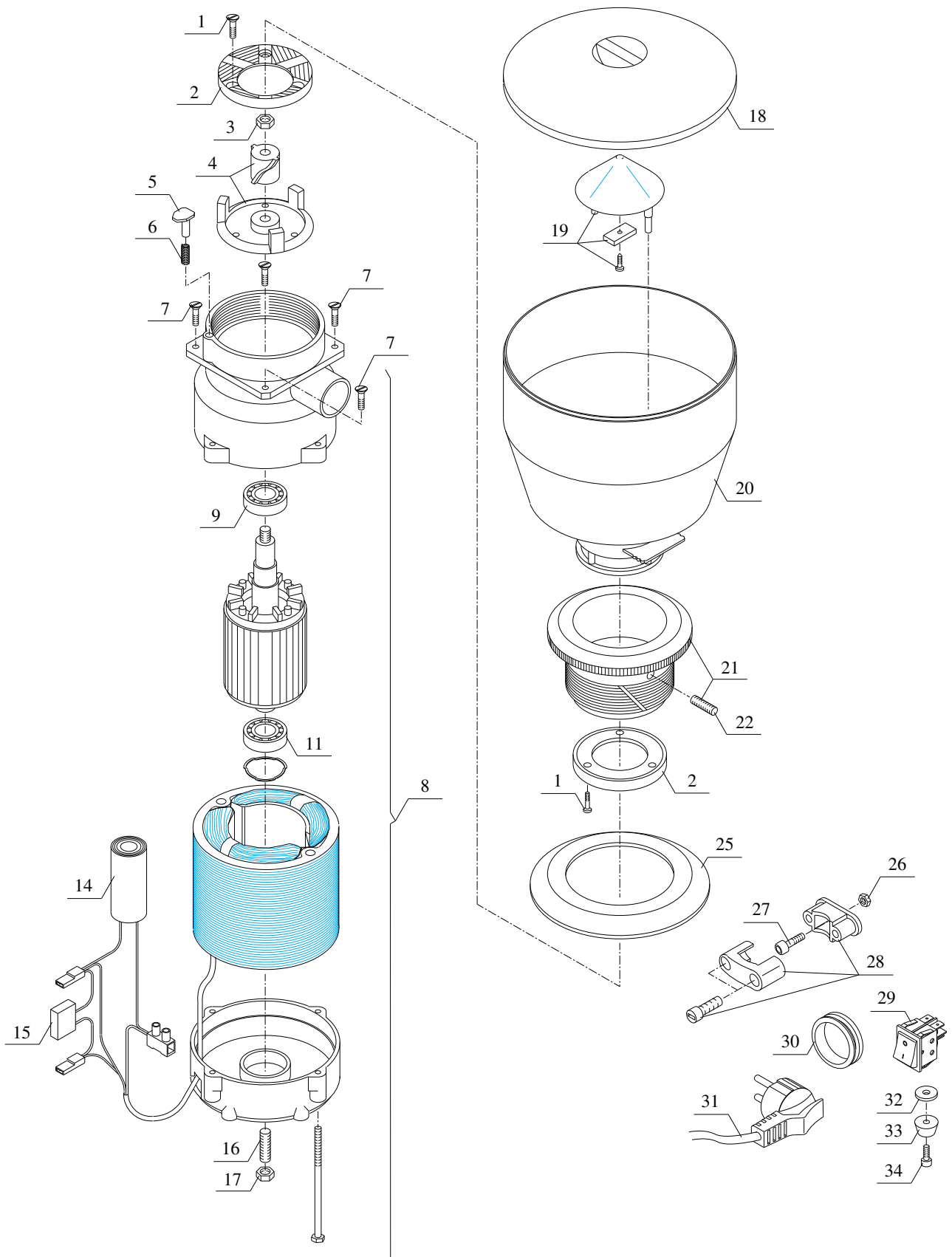
BB105



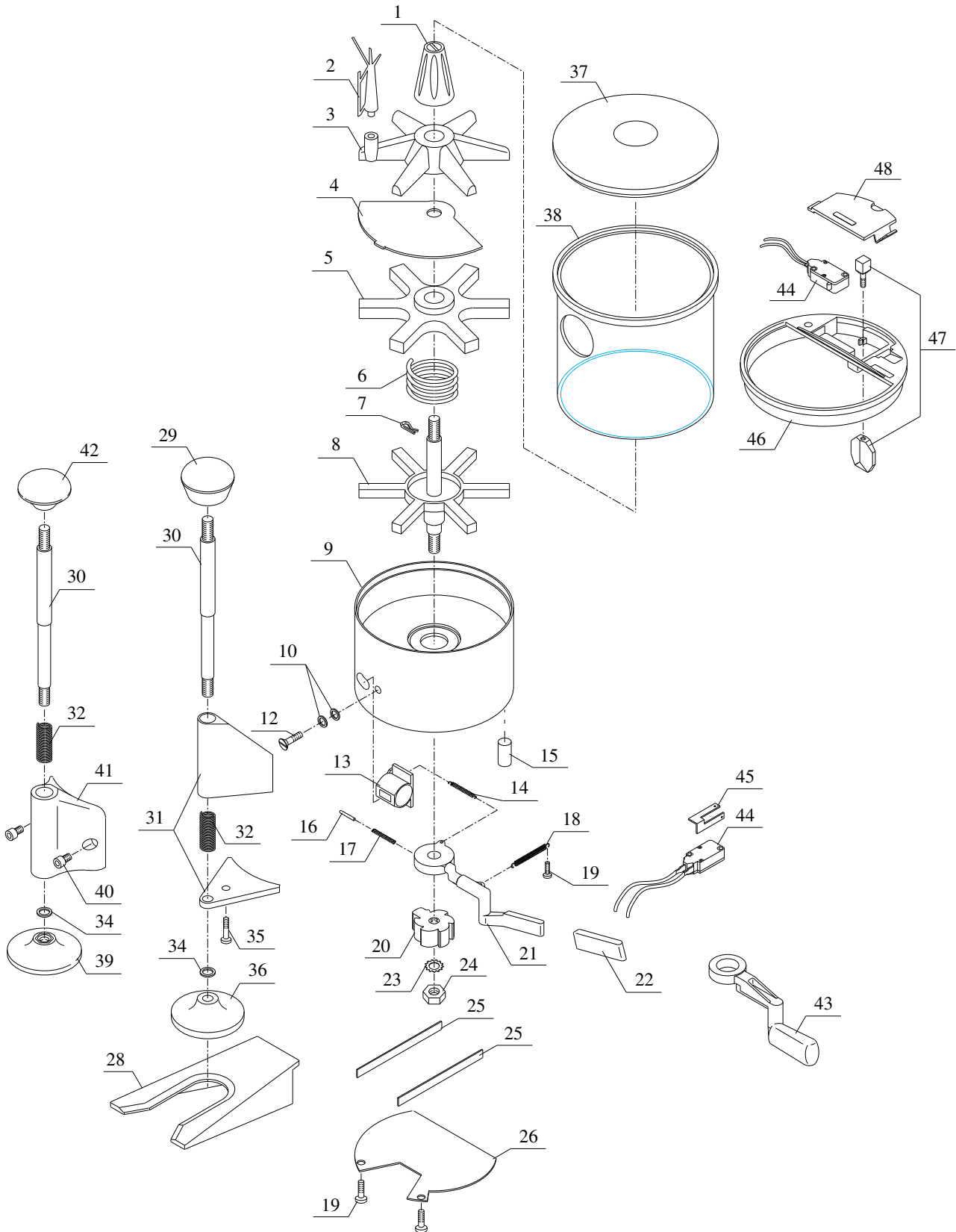
POS.	DESCRIPTION	CODE	OLD CODE
01	CHASSIS INOX SATINED	5346309	-
01	CHASSIS BLACK	5346305VM	-
01	CHASSIS RED RAL 3000	5346305VT	-
02	SCREW TCCE M5X16	0BMQ40	MQ 40
03	WASHER D6	0BMQ43/6	MQ 43/6
04	NUT D6	0BMQ45/6	MQ 45/6
05	SCREW TPS M6X20	0BMQ46	MQ 46
06	NUT D5 FLANGED	0BBB45F	BB 45F
07	SCREW TE M5X12	0BMQ38E	MQ 38E
08	WASHER D5 X 15	0BMQ38R	MQ 38R
09	RED PUSH BUTTON FOR COFFEE GRINDER STOPPING	7635102	J 684
10	BLACK PUSH BUTTON FOR COFFEE GRINDER STARTING	7635101	J 685
11	COFFEE TRAY STAINLESS STEEL	5070601LW	BB 10514
12	PLATE FOR COFFEE PAN CLAMPING	5055704	BB 10513
13	BOTTOM	5053703	BB 10506
14	CONDENSER CLAMP	0BEB96	EB 96
15	SCREW TC M4X10	0BMQ36	MQ 36
16	MALE FASTON	0BBB36F	BB 36F
17	NUT D4 FLANGED	0BBB36D	BB 36D
18	ELECTRONIC CARD 110V	7665507	J 686/110
18	ELECTRONIC CARD 230V	7665508	J 686/230
18	ELECTRONIC CARD 240V	7665509	J 686/240
19	PLUG D16 PLASTIC	7372504	-



POS.	DESCRIPTION	CODE	OLD CODE
01	SCREW TC M4X10	0BMQ36	MQ 36
02	GRINDSTONE COUPLE	0BEB08	EB 08
03	NUT M8	0BMQ45/8	MQ 45/8
04	FAN	0BEB090	EB 090
05	CATCH STUD	0BEB06	EB 06
06	SPRING FOR CATCH STUD	0BEB05	EB 05
07	SCREW TCCE M5X16	0BMQ40	MQ 40
08	COMPLETE MOTOR 110V 60HZ WITHOUT FAN	0BEB75	EB 75
08	COMPLETE MOTOR 220V 50HZ WITHOUT FAN	0BEB73	EB 73
09	UPPER BEARING	0BEB010	EB 010
11	BOTTOM BEARING	0BEB017	EB 017
14	CONDENSER 110V	0BEB075110	EB 075/110
14	CONDENSER 220V	0BEB075220	EB 075/220
15	ANTIJAMMING FILTER	0BEB078	EB 078
16	DOWEL M10 X 20	0BMQ48	MQ 48
17	NUT M10	0BMQ44	MQ 44
18	COVER FOR HOPPER 1 KG	0BEB01	EB 01
19	SAFE-FINGER CAP WITH MAGNET AND SCREW	0BEB04C	EB 04C
20	HOPPER 1 KG	0BEB02	EB 02
21	REGULATOR	0BEB053	EB 053
22	FLAT DOWEL M6 X 10	0BMQ51	MQ 51
25	SCREW COVER RING	0BEB085	EB 085
26	NUT M5	0BMQ45/5	MQ 45/5
27	SCREW TC M5X12	0BMQ38	MQ 38
28	COMPLETE CABLE LOCK	0BEB0890B0	EB 0890B0
29	LIGHT SWITCH 110/120V	0BEB079	EB 079
29	LIGHT SWITCH 380V	0BEB079T	EB 079T
30	FAIRLEAD	0BEB089	EB 089
31	ELECTRIC CABLE WITH AUSTRALIAN PLUG	7552001	J 720
31	ELECTRIC CABLE WITH ENGLISH PLUG	7554001	J 822
31	ELECTRIC CABLE WITH SHUKO PLUG	0BEB89	EB 89
31	ELECTRIC CABLE WITH USA PLUG	0BEB89110	EB 89110
32	WASHER D5	0BMQ43/5	MQ 43/5
33	RUBBER FEET WITHOUT SCREW	0BEB019	EB 019
34	SCREW TC M4X10	0BMQ36	MQ 36



POS.	DESCRIPTION	CODE	OLD CODE
01	DOSAGE ADJUSTMENT KNOB	0BEB048	EB 048
02	GLASS-SCRAPER SPRING	0BEB050	EB 050
03	UPPER STAR	0BEB042	EB 042
04	DIAPHRAGM	0BEB060	EB 060
05	INTERMEDIATE STAR	0BEB059	EB 059
06	SPRING	0BEB061	EB 061
07	SPLIT PIN	0BEB043	EB 043
08	BOTTOM STAR	0BEB062	EB 062
09	DOSING RING	0BEB071	EB 071
10	WASHER D5	0BMQ43/5	MQ 43/5
12	SCREW M5 X 10	0BMQ37E	MQ 37E
13	STROKE COUNTER	0BEB054	EB 054
14	STROKE COUNTER SPRING	0BEB028	EB 028
15	BUMPER	0BEB030	EB 030
16	STUD	0BEB056	EB 056
17	SPRING FOR STUD	0BEB057	EB 057
18	HAND LEVER RETURN SPRING	0BEB055	EB 055
19	SCREW TC M5X10	0BMQ37	MQ 37
20	DIVISOR GEAR	0BEB092	EB 092
21	-	-
22	LEVER COVER	0BEB029A	EB 029A
23	WASHER D8	0BMQ42	MQ 42
24	NUT M8	0BMQ45	MQ 45
25	SPRING STAINLESS STEEL SHEET	0BEB070	EB 070
26	DOSER BOTTOM	0BEB093	EB 093
28	FORK	0BEB033S	EB 033S
29	-	-
30	COFFEE-PRESS ROD	0BEB045	EB 045
31	COMPLETE SUPPORT	0BEB039	EB 039
32	SPRING	0BEB041	EB 041
34	OR RUBBER GASKET	0BDS69	DS 69
35	SCREW M5 X 30	0BMQ39	MQ 39
36	-	-
37	DOSER COVER	0BEB051	EB 051
38	DOSER CYLINDER	0BEB094	EB 094
39	COFFEE-PRESS	0BEB037P	-
40	SCREW M5 X 8	0BMQ37CE	-
41	SUPPORT	0BEB039P	-
42	UPPER COFFEE-PRESS KNOB	0BEB047P	-
43	DOSER HAND	0BEB029P	-
44	MICROSWITCH	0BEB066MAC	-
45	MICROSWITCH ACTUATOR	0BEB067	-
46	MICROSWITCH HOUSING	0BEB086	-
47	FEELER PIN	0BEB088A	-
48	MICROSWITCH COVER	0BEB087	-



POS.	DESCRIPTION	CODE	OLD CODE
01	COVER FOR HOPPER	0BEB82	-
02	LOCK	0BEB8	-
03	SAFE-FINGER CAP WITH MAGNET AND SCREW	0BEB04C	EB 04C
04	HOPPER	0BEB83	-
05	DOSER COVER	0BEB81	-

