

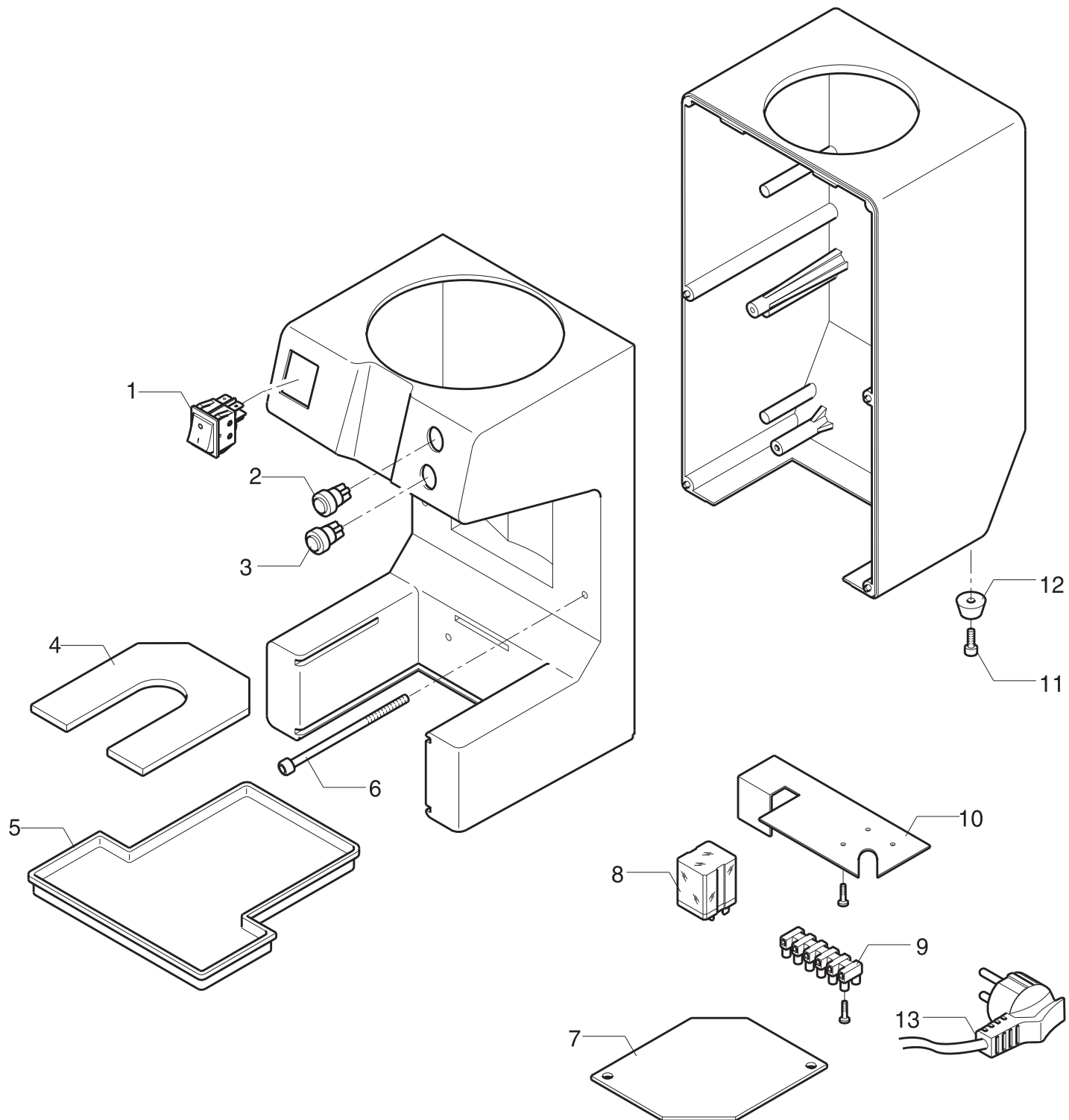


BB90



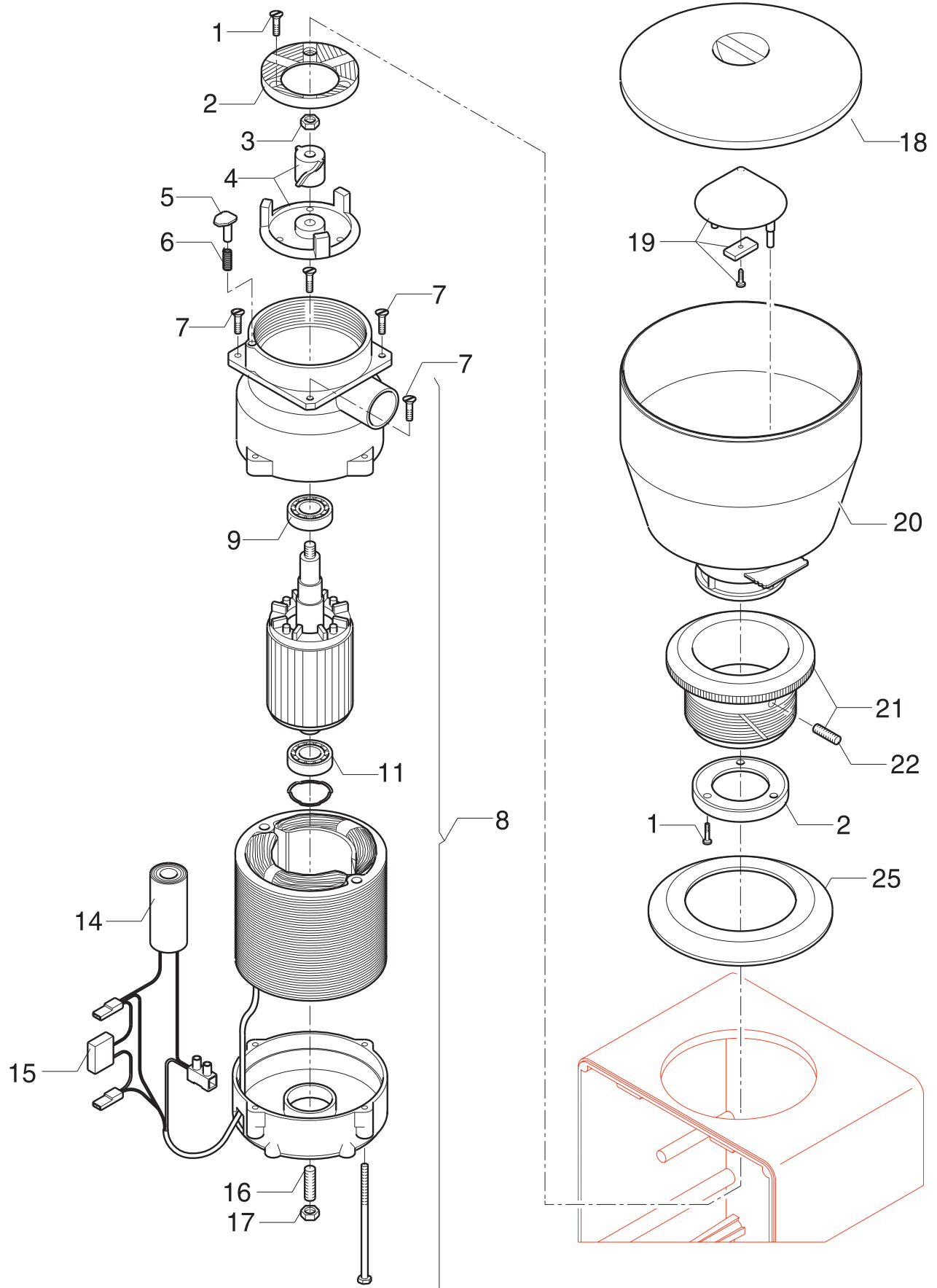


| POS | DESCRIPTION | CODE | REFERENCE |
|------------|---|------------------|------------------|
| 01 | LIGHT SWITCH 110/120V | .0BEB079 | EB 079 |
| 01 | LIGHT SWITCH 380V | .0BEB079T | EB 079T |
| 02 | BLACK PUSH BUTTON FOR COFFEE GRINDER STARTING | .7635101 | J 685 |
| 03 | RED PUSH BUTTON FOR COFFEE GRINDER STOPPING | .7635102 | J 684 |
| 04 | FORK | .0BEB033 | - |
| 05 | COFFEE TANK | .0BEB022 | - |
| 06 | SCREW TCCE M5X90 | .0BEB097 | EB 097 |
| 07 | BOTTOM | .0BEB091 | - |
| 08 | RELAY 110V | .0BEB074 | - |
| 08 | RELAY 220V | .0BEB073 | - |
| 08 | RELAY 380V | .0BEB074T | - |
| 09 | CLAMP | .0BEB096 | - |
| 10 | SQUARE | .0BEB095 | - |
| 11 | SCREW TC M4X10 | .0BMQ36 | MQ 36 |
| 12 | RUBBER FEET WITHOUT SCREW | .0BEB019 | EB 019 |
| 13 | CABLE WITH AUSTRALIAN PLUG | .7552001 | J 720 |
| 13 | CABLE WITH ENGLISH PLUG | .7554001 | J 822 |
| 13 | ELECTRIC CABLE MONOPHASE 110V WITH USA PLUG | .0BEB89110 | EB 89110 |
| 13 | ELECTRIC CABLE MONOPHASE 230V WITH SHUKO PLUG | .0BEB89 | EB 89 |



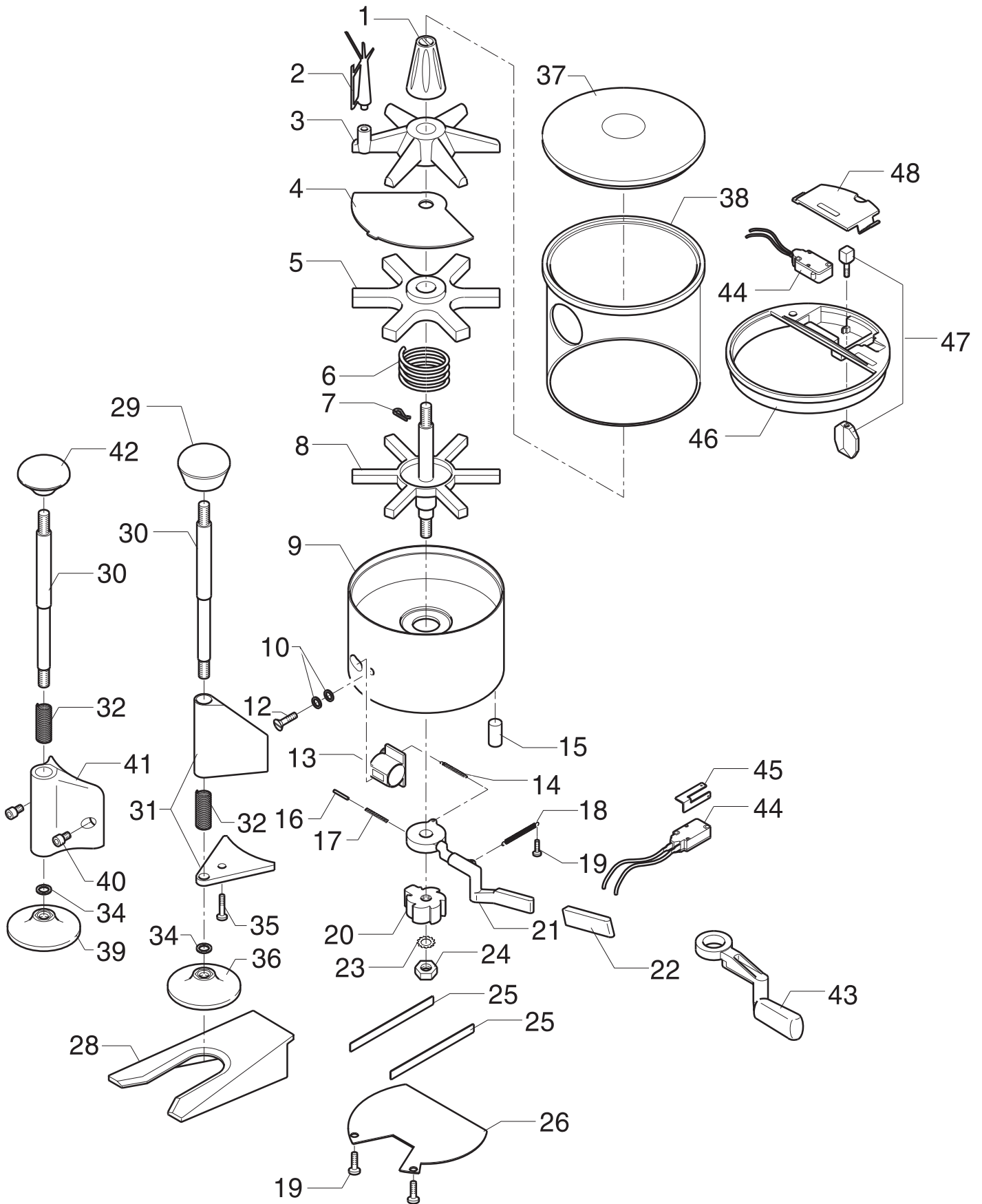


| POS | DESCRIPTION | CODE | REFERENCE |
|------------|--|------------------|------------------|
| 01 | SCREW TC M4X10..... | .0BMQ36..... | MQ 36 |
| 02 | GRINDSTONE COUPLE..... | .0BEB08..... | EB 08 |
| 03 | NUT M8..... | .0BMQ45/8..... | MQ 45/8 |
| 04 | FAN..... | .0BEB090..... | EB 090 |
| 05 | CATCH STUD..... | .0BEB06..... | EB 06 |
| 06 | SPRING FOR CATCH STUD..... | .0BEB05..... | EB 05 |
| 07 | SCREW TCCE M5X16..... | .0BMQ40..... | MQ 40 |
| 08 | COMPLETE MOTOR 110V 60HZ WITHOUT FAN..... | .0BEB75..... | EB 75 |
| 08 | COMPLETE MOTOR 220V 50HZ WITHOUT FAN..... | .0BEB73..... | EB 73 |
| 09 | UPPER BEARING..... | .0BEB010..... | EB 010 |
| 11 | BOTTOM BEARING..... | .0BEB017..... | EB 017 |
| 14 | CONDENSER 110V..... | .0BEB075110..... | EB 075/110 |
| 14 | CONDENSER 220V..... | .0BEB075220..... | EB 075/220 |
| 15 | ANTIJAMMING FILTER..... | .0BEB078..... | EB 078 |
| 16 | DOWEL M10 X 20..... | .0BMQ48..... | MQ 48 |
| 17 | NUT M10..... | .0BMQ44..... | MQ 44 |
| 18 | COVER FOR HOPPER 1 KG..... | .0BEB01..... | EB 01 |
| 19 | SAFE-FINGER CAP WITH MAGNET AND SCREW..... | .0BEB04C..... | EB 04C |
| 20 | HOPPER 1 KG..... | .0BEB02..... | EB 02 |
| 21 | REGULATOR..... | .0BEB053..... | EB 053 |
| 22 | FLAT DOWEL M6 X 10..... | .0BMQ51..... | MQ 51 |
| 25 | SCREW COVER RING..... | .0BEB085..... | EB 085 |





| POS | DESCRIPTION | CODE | REFERENCE |
|-----|-----------------------------------|------------------|-----------|
| 01 | DOSAGE ADJUSTMENT KNOB..... | .0BEB048..... | EB 048 |
| 02 | GLASS-SCRAPER SPRING..... | .0BEB050..... | EB 050 |
| 03 | UPPER STAR..... | .0BEB042..... | EB 042 |
| 04 | DIAPHRAGM..... | .0BEB060..... | EB 060 |
| 05 | INTERMEDIATE STAR..... | .0BEB059..... | EB 059 |
| 06 | SPRING..... | .0BEB061..... | EB 061 |
| 07 | SPLIT PIN..... | .0BEB043..... | EB 043 |
| 08 | BOTTOM STAR..... | .0BEB062..... | EB 062 |
| 09 | DOSING RING..... | .0BEB071..... | EB 071 |
| 10 | WASHER D5..... | .0BMQ43/5..... | MQ 43/5 |
| 12 | SCREW M5 X 10..... | .0BMQ37E..... | MQ 37E |
| 13 | STROKE COUNTER..... | .0BEB054..... | EB 054 |
| 14 | STROKE COUNTER SPRING..... | .0BEB028..... | EB 028 |
| 15 | BUMPER..... | .0BEB030..... | EB 030 |
| 16 | STUD..... | .0BEB056..... | EB 056 |
| 17 | SPRING FOR STUD..... | .0BEB057..... | EB 057 |
| 18 | HAND LEVER RETURN SPRING..... | .0BEB055..... | EB 055 |
| 19 | SCREW TC M5X10..... | .0BMQ37..... | MQ 37 |
| 20 | DIVISOR GEAR..... | .0BEB092..... | EB 092 |
| 21 | REPLACED BY 0BEB029P | | |
| 22 | LEVER COVER..... | .0BEB029A..... | EB 029A |
| 23 | WASHER D8..... | .0BMQ42..... | MQ 42 |
| 24 | NUT M8..... | .0BMQ45..... | MQ 45 |
| 25 | SPRING STAINLESS STEEL SHEET..... | .0BEB070..... | EB 070 |
| 26 | DOSER BOTTOM..... | .0BEB093..... | EB 093 |
| 28 | FORK..... | .0BEB033S..... | EB 033S |
| 29 | REPLACED BY 0BEB047P | | |
| 30 | COFFEE-PRESS ROD..... | .0BEB045..... | EB 045 |
| 31 | COMPLETE SUPPORT..... | .0BEB039..... | EB 039 |
| 32 | SPRING..... | .0BEB041..... | EB 041 |
| 34 | OR RUBBER GASKET..... | .0BDS69..... | DS 69 |
| 35 | SCREW M5 X 30..... | .0BMQ39..... | MQ 39 |
| 36 | REPLACED BY 0BEB037P | | |
| 37 | DOSER COVER..... | .0BEB051..... | EB 051 |
| 38 | DOSER CYLINDER..... | .0BEB094..... | EB 094 |
| 39 | COFFEE-PRESS..... | .0BEB037P..... | - |
| 40 | SCREW M5 X 8..... | .0BMQ37CE..... | - |
| 41 | SUPPORT..... | .0BEB039P..... | - |
| 42 | UPPER COFFEE-PRESS KNOB..... | .0BEB047P..... | - |
| 43 | DOSER HAND..... | .0BEB029P..... | - |
| 44 | MICROSWITCH..... | .0BEB066MAC..... | - |
| 45 | MICROSWITCH ACTUATOR..... | .0BEB067..... | - |
| 46 | MICROSWITCH HOUSING..... | .0BEB086..... | - |
| 47 | ALUMINIUM FEELER..... | .0BEB088A..... | - |
| 48 | MICROSWITCH COVER..... | .0BEB087..... | - |





| POS | DESCRIPTION | CODE | REFERENCE |
|------------|--|---------------|------------------|
| 01 | COVER FOR HOPPER..... | .0BEB82..... | - |
| 02 | LOCK..... | .0BEB8..... | - |
| 03 | SAFE-FINGER CAP WITH MAGNET AND SCREW..... | .0BEB04C..... | EB 04C |
| 04 | HOPPER..... | .0BEB83..... | - |
| 05 | DOSER COVER..... | .0BEB81..... | - |

