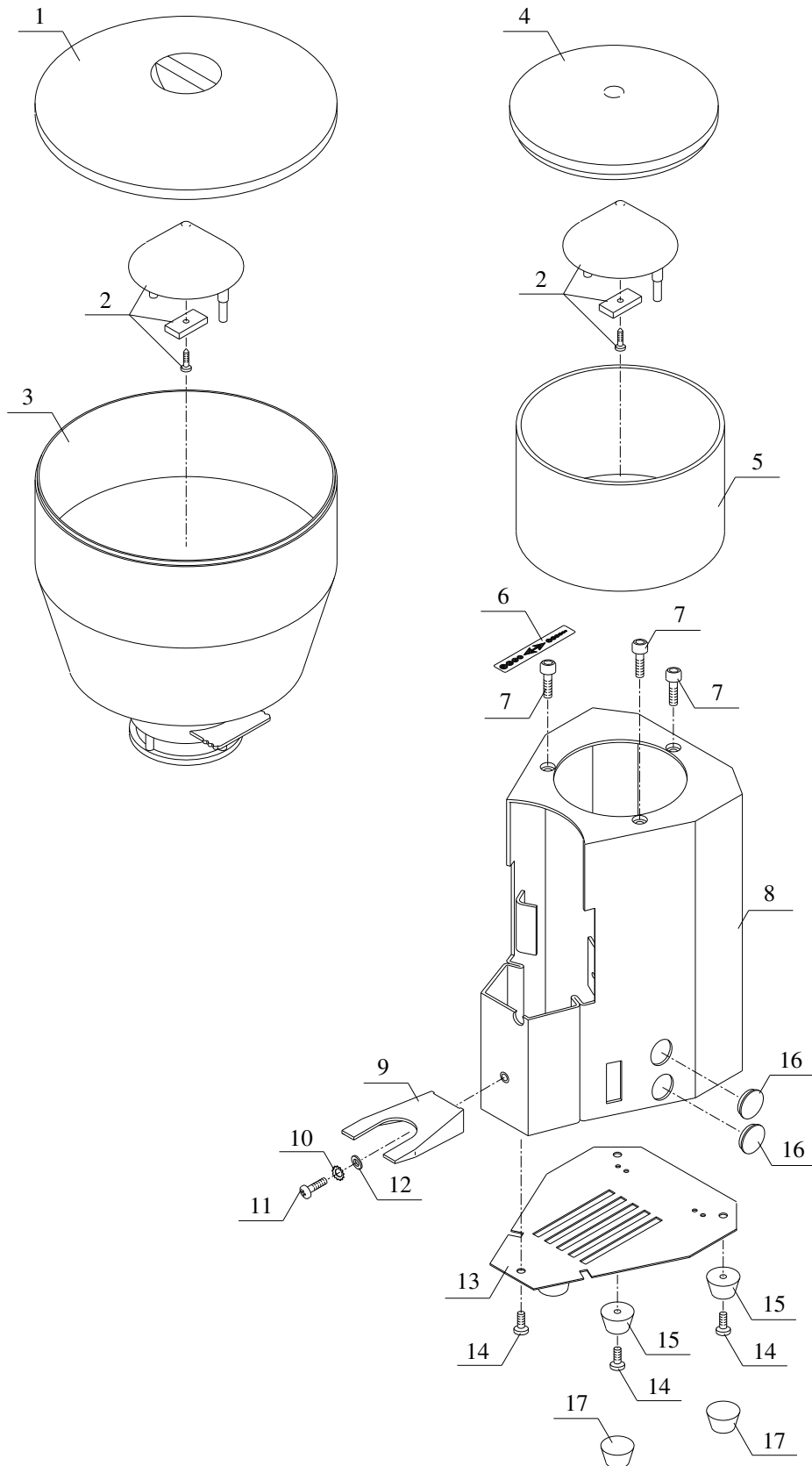




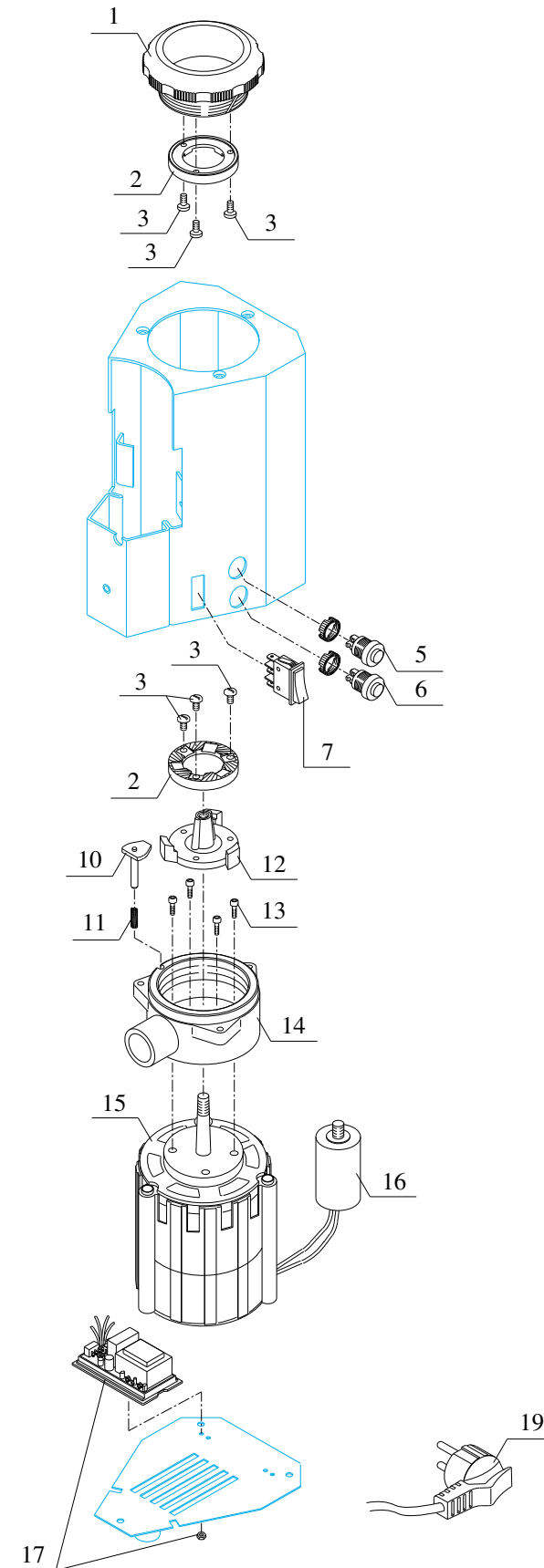
BB95



POS.	DESCRIPTION	CODE	OLD CODE
01	COVER FOR HOPPER 1 KG	0BEB01	EB 01
02	SAFE-FINGER CAP WITH MAGNET AND SCREW	0BEB04	EB 04
03	HOPPER 1 KG	0BEB02P	BB 9553
04	COVER FOR HOPPER 0,25 KG	0BDF1	DF 1
05	HOPPER 0.25 KG	0BDF2	DF 2
06	REGULATION LABLE	0BDF82	DF 82
07	SCREW TCCE M5X16	0BMQ40	MQ 40
08	CHASSIS BLACK 046000	5346005VM	-
08	CHASSIS RED RAL 3000	5346005VT	-
09	FORK	0BDF33	DF 33
10	NOTCHED WASHER D4	0BDF86	DF 86
11	SCREW TC M4X16	0BDF87	DF 87
12	PLAIN WASHER D4	0BDF88RP	DF 88RP
13	BOTTOM	5053701	BB 957
14	SCREW TC M4X10	0BMQ36	MQ 36
15	RUBBER FEET WITHOUT SCREW	0BEB019	EB 019
16	PLUG D16 PLASTIC	7372504	-
17	ADHESIVE FEET	0BDF19	DF19



POS.	DESCRIPTION	CODE	OLD CODE
01	REGULATOR	0BDF53	DF 53
02	GRINDSTONE COUPLE	0BDF8	DF 8
03	SCREW TC M4X8	0BDF91	DF 91
05	BLACK PUSH BUTTON FOR COFFEE GRINDER STARTING	7635101	J 685
06	RED PUSH BUTTON FOR COFFEE GRINDER STOPPING	7635102	J 684
07	UNIPOLAR SWITCH 110/220V	0BDF79	DF 79
10	CATCH STUD	0BDF6	DF 6
11	SPRING FOR CATCH STUD	0BDF5	DF 5
12	FAN	0BDF90	DF 90
13	SCREW TCCE M4X14	0BDF85	DF 85
14	THREATED GLASS	0BDF84	DF 84
15	MOTOR 110V	0BDF15110	DF 15110
15	MOTOR 220V	0BDF15	DF 15
15	MOTOR 240V	0BDF15240	DF 15240
16	CONDENSER 110V	0BDF75110	DF 75110
16	CONDENSER 220V	0BDF75	DF 75
16	CONDENSER 240V	0BDF75240	DF 75240
17	ELECTRONIC CARD 110V	7665504	J 693/110
17	ELECTRONIC CARD 220V	7665505	J 693/220
17	ELECTRONIC CARD 240V	7665506	J 693/240
19	ELECTRIC CABLE WITH AUSTRALIAN PLUG	7552001	J 720
19	ELECTRIC CABLE WITH ENGLISH PLUG	7554001	J 822
19	ELECTRIC CABLE WITH SHUKO PLUG	0BEB89	EB 89
19	ELECTRIC CABLE WITH USA PLUG	0BEB89110	EB 89110



POS.	DESCRIPTION	CODE	OLD CODE
01	DOSER COVER	0BDF51	DF 51
02	DOSER CYLINDER	0BDF44	DF 44
03	DOSER KNOB	0BDF48	DF 48
04	UPPER STAR	0BDF42	DF 42
05	DIAPHRAGM	0BDF60	DF 60
06	INTERMEDIATE STAR	0BDF59	DF 59
07	SPRING FOR STAR	0BDF61	DF 61
08	BOTTOM STAR COMPLETE WITH STUD	0BDF62	DF 62
10	SPLIT PIN	0BDS43	DS 43
12	DOSING RING	0BDF71	DF 71
13	SPRING STAINLESS STEEL SHEET	0BDF70	DF 70
14	WASHER D5	0BMQ43/5	MQ 43/5
15	SCREW TC M5X10	0BMQ37	MQ 37
16	PAWL	0BDF56	DF 56
17	PAWL SPRING	0BDF57	DF 57
18	BUMPER	0BEB030	EB 030
19	MICROSWITCH	7633903	J 683
20	SCREW TC M3 X 16	0BMQ35	MQ 35
21	HAND LEVER RETURN SPRING	0BEB055	EB 055
23	DIVISOR	0BDF92	DF 92
24	NUT M8	0BMQ45/8	MQ 45/8
25	DOSER HAND LEVER WITH LEVER COVER	0BDF29	DF 29
26	HAND LEVER	0BDF28	DF28
27	NOTCHED WASHER D4	0BDF86	DF 86
28	DOSER BOTTOM	0BDF93	DF 93
29	DOSER CYLINDER	0BDF44M	DF44M
30	DOSER COVER	0BDF51M	DF 51M

