

**Marmita a gas de baño maría  
Gas indirect boiling pans  
Marmites à gaz système bain-marie  
Gas kochkessel indirekt beheizt  
Pentole riscaldamento indiretto a gas  
Marmita a gas de banho-maria**

**GAMA 900**

**Modelos:**

**MG9-10 BM**

**MP9-15 BM**

**MG9-15 BM 316**

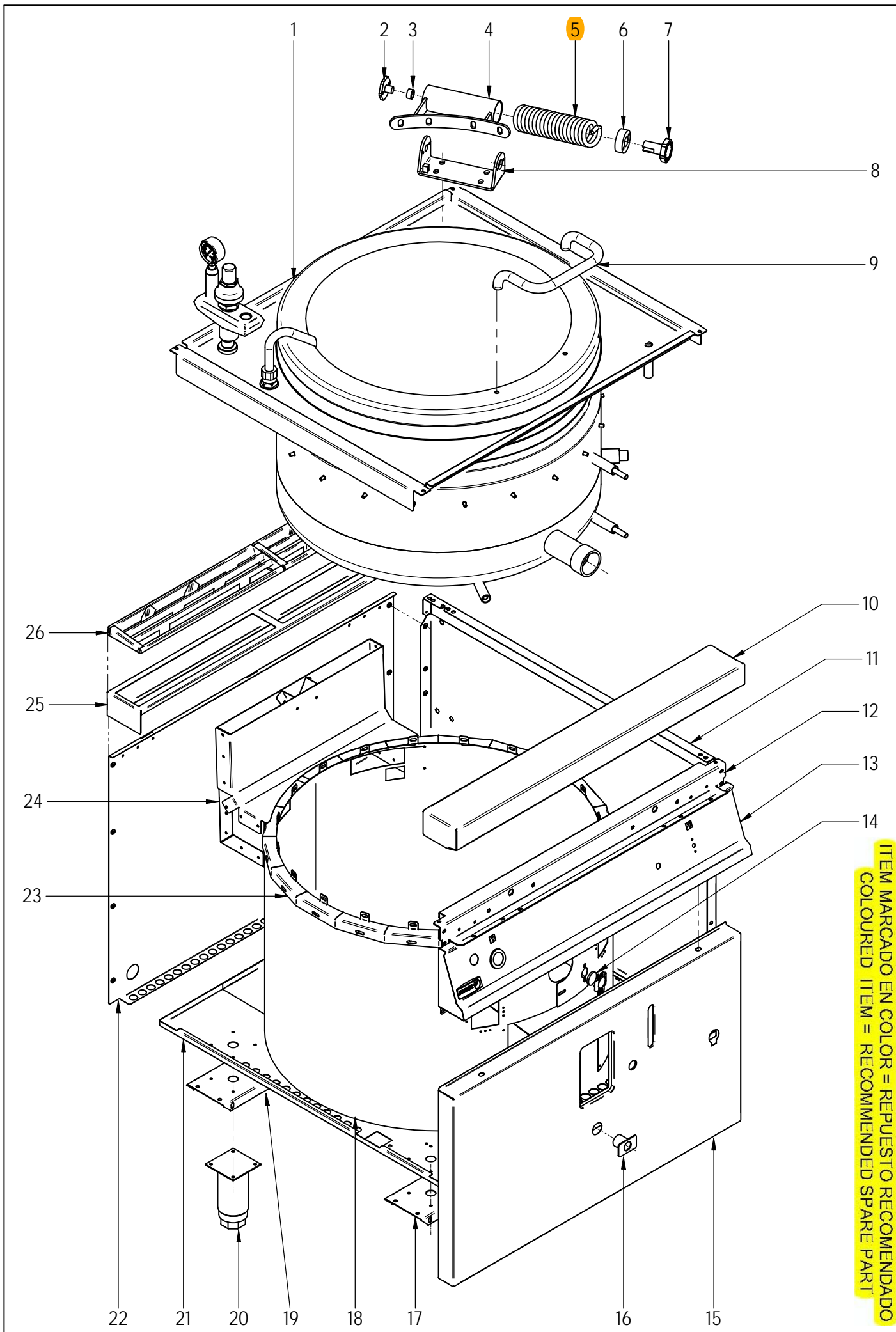
***Marzo 2009 March***

***Revisado Julio 2011 July Revised***



---

F A G O R I N D U S T R I A L



ITEM MARCADO EN COLOR = REPUESTO RECOMENDADO  
 COLOURED ITEM = RECOMMENDED SPARE PART

N plano	Firma	Fecha	Aparato	MUEBLE	Lamina	Fagor Industrial S.Coop. <b>FAGOR</b>
C-2260	<i>[Signature]</i>	2009-03	MARMITA MG9-10 BM; MG9-15 BM		1	Oñate

MOD.		MARMITAS GAMA 900 / PAN 900 RANGE		ZONA	MUEBLE / UNIT					PLANO	C-2260	
ITEM	CODIGO	DENOMINACION	TEXTO	MG9-10 BM	MG9-10 BM S	MG9-15 BM	MG9-15 BM S	MG9-15 BM 316				NOTAS
1	S146128000	CUBA+TAPA G MG9-10 BM	TUB+COVER G MG9-10	1	1	-	-	-				
1	S226115000	CUBA+TAPA G MG9-15 BM	TUB+COVER G MG9-15	-	-	1	1	-				
1	S226131000	CUBA+TAPA G MG9-15 BM 316	TUB+COVER G MG9-15	-	-	-	-	1				
S/Nº	S146122000	CUBA COMPLETA MG9-10 BM	COMPLETE TUB MG9-10 BM	1	1	-	-	-				
S/Nº	S226113000	CUBA COMPLETA MG9-15 BM	COMPLETE TUB MG9-15 BM	-	-	1	1	-				
S/Nº	S226133000	CUBA COMPLETA MG9-15 BM 316	COMPLETE TUB MG9-15 BM	-	-	-	-	1				
S/Nº	S036141000	TAPA COMPLETA	COMPLETE COVER	1	1	1	1	-				
S/Nº	S096112000	TAPA COMPLETA 316	COMPLETE COVER	-	-	-	-	1				
S/Nº	S016101000	FILTRO DE CUBA	TUB FILTER	1	1	1	1	-				
	S036117000	SOPORTE FILTRO	FILTER SUPPORT	2	2	2	2	-				
	Q412000000	REMACHE TUBULAR 4x8	TUBULAR RIVET 4x8	8	8	8	8	-				
2	S116119000	GIRO DE ASA	HANDLE ROTATION	1	1	1	1	-				
2	S096128000	GIRO DE ASA 316	HANDLE ROTATION	-	-	-	-	1				
	Q012041000	TORNILLO EXAGONAL M6x10 A304	HEXAGONAL BOLT M6x10 A304	2	2	2	2	2				
3	S116126000	COJINETE CILINDRICO	CYLINDRICAL BEARING	1	1	1	1	1				
4	S036143000	BISAGRA COMPLETA	COMPLETE HINGE	1	1	1	1	-				
4	S096131000	BISAGRA COMPLETA 316	COMPLETE HINGE	-	-	-	-	1				
5	S116121000	RESORTE TAPA 07199	SPRING COVER 07199	1	1	1	1	-				
5	S096127000	RESORTE TAPA 29179	SPRING COVER 29179	-	-	-	-	1				
6	S116118000	CASQUILLO	BUSHING	1	1	1	1	1				
7	S116120000	TENSOR MUELLE	TENSIONING SPRING	1	1	1	1	-				
7	S096129000	TENSOR MUELLE 316	TENSIONING SPRING	-	-	-	-	1				
	Q012042000	TORNILLO EXAGONAL M6x15	HEXAGONAL BOLT M6x15	2	2	2	2	2				
	Q262040000	ARANDELA GROW. A6 A304	WASHER GROW. A6 A304	2	2	2	2	2				
8	S036131000	SOPORTE BISAGRA COMPLETA	COMPLETE HINGE SUPPORT	1	1	1	1	-				ELIMINADO 03.05.10
8	S226136000	SOPORTE BISAGRA COMPLETA	COMPLETE HINGE SUPPORT	1	1	1	1	-				INTRODUCIDO 03.05.10
8	S096124000	SOPORTE BISAGRA COMPLET. 316	COMPLETE HINGE SUPPORT	-	-	-	-	1				
S/Nº	S026102000	REFUERZO BISAGRA MARMITAS	COOK. POT HINGE REINFORCE.	1	1	1	1	1				
	Q232050000	ARANDELA A8	WASHER A8	4	4	4	4	4				
	Q262050000	ARANDELA GROW. A8 A304	WASHER GROW. A8 A304	4	4	4	4	4				
	Q212051000	TUERCA SOMBRERO M8	COWL NUT M8	4	4	4	4	4				

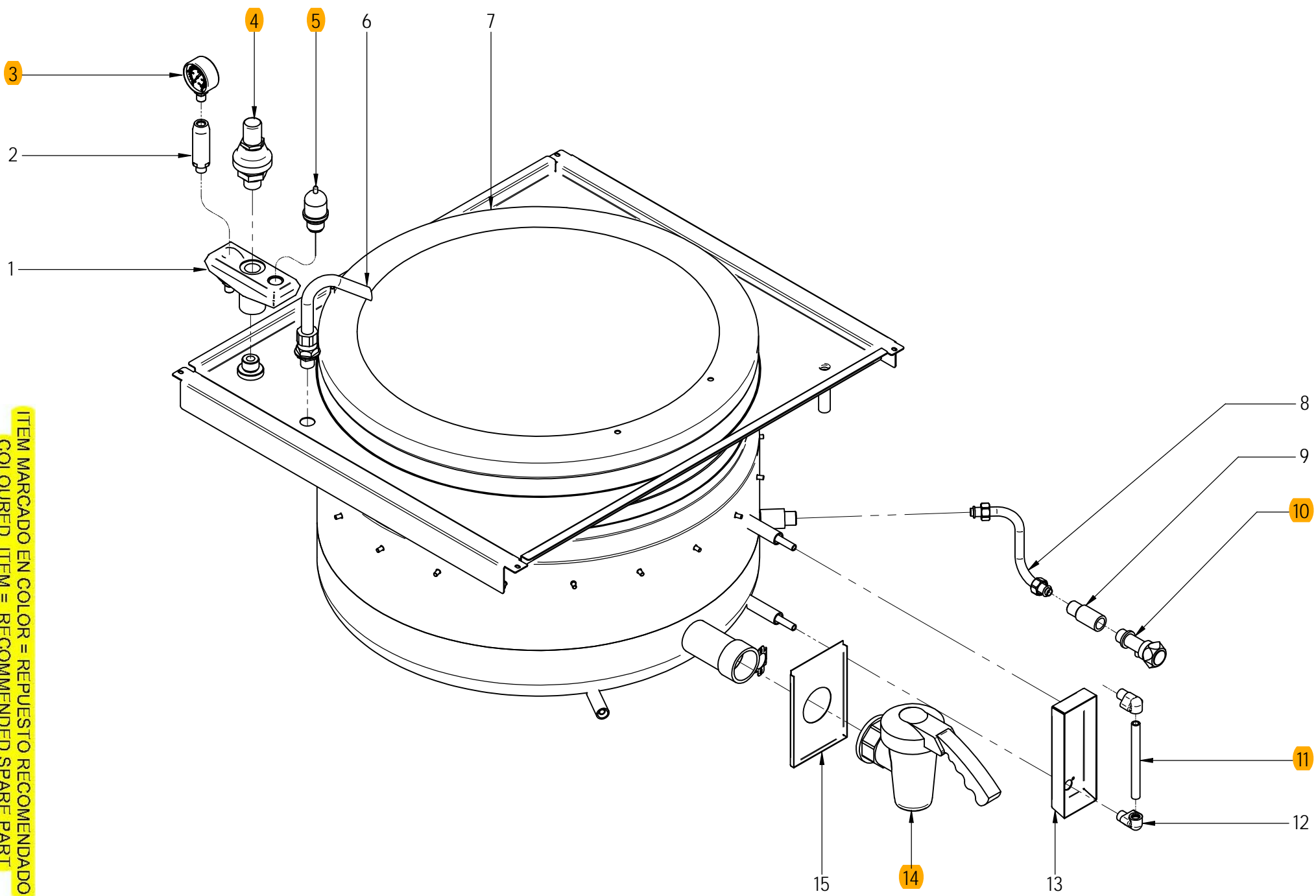
MOD.		MARMITAS GAMA 900 / PAN 900 RANGE		ZONA	MUEBLE / UNIT					PLANO	C-2260
ITEM	CODIGO	DENOMINACION	TEXTO	MG9-10 BM	MG9-10 BM S	MG9-15 BM	MG9-15 BM S	MG9-15 BM 316			NOTAS
9	S036123000	ASA DE TAPA	COVER HANDLE	1	1	1	1	—			
9	S096140000	ASA DE TAPA PULIDA	COVER HANDLE	—	—	—	—	1			
	Q012053000	TORNILLO EXAGONAL M8x20 A304	HEXAGONAL BOLT M8x20 A304	2	2	2	2	2			
	Q302027000	ARANDELA 25x8,4x2	WASHER 25X8.4X2	2	2	2	2	2			
10	S105402000	ANTERIOR DE MESA 1M	BENCH FRONT 1M	1	—	1	—	1			
	Q152004000	TORNILLO APLAST. M5x13 A304	MUSHROOM HEAD BOLT M5x13 A	2	—	2	—	2			
	Q302022000	ARANDELA 16x6x1,2 A304	WASHER 16x6x1.2 A304	2	—	2	—	2			
11	X162814000	PANEL LATERAL DERECHO G900	RIGHT SIDE PANEL G900	1	—	1	—	1			
11	S142806000	PANEL LATERAL DERECH. G9-00S	RIGHT SIDE PANEL G9-00S	—	1	—	—	—			
11	S222808000	PANEL LATERAL DERECH. G9-00S	RIGHT SIDE PANEL G9-00S	—	—	—	1	—			
S/Nº	X162813000	PANEL LATERAL IZQUIERDO G900	LEFT SIDE PANEL G900	1	—	1	—	1			
S/Nº	S142805000	PANEL LATERAL IZQUIERD. G900S	LEFT SIDE PANEL G900S	—	1	—	—	—			
S/Nº	S222807000	PANEL LATERAL IZQUIERD. G915S	LEFT SIDE PANEL G915S	—	—	—	1	—			
	Q221343000	REMACHE EXAGONAL M6	HEXAGONAL RIVET M6	22	—	22	—	22			
	Q221342000	REMACHE EXAGONAL M5	HEXAGONAL RIVET M5	12	12	12	12	12			
	Q012053000	TORNILLO EXAGONAL M8x20 A304	HEXAGONAL BOLT M8x20 A304	4	—	4	—	4			
	Q012031000	TORNILLO EXAGONAL M5x10 A304	HEXAGONAL BOLT M5x10 A304	—	2	—	2	—			
12	S222606000	ESCUADRA INTE. ANT. MESA 1M	BENCH FRONT INT BRACKET 1M	1	1	1	1	1			
	Q221342000	REMACHE EXAGONAL M5	HEXAGONAL RIVET M5	7	7	7	7	7			
	Q012032000	TORNILLO EXAGONAL M5X15	HEXAGONAL BOLT M5x15	6	6	6	6	6			
13	S222809000	PORTAMANDOS MARMITA 1M	PAN CONTROL HOLDER 1M	1	1	1	1	1			
	Q152004000	TORNILLO APLAST. M5x13 A304	MUSHROOM HEAD BOLT M5x13 A	4	4	4	4	4			
	Q221343000	REMACHE EXAGONAL M6	HEXAGONAL RIVET M6	2	2	2	2	2			
	Q151336000	TORNILLO SOPORTE GUIAS	GUIDE SUPPORT BOLT	2	2	2	2	2			
	Q302022000	ARANDELA 16x6x1,2 A304	WASHER 16x6x1.2 A304	2	2	2	2	2			
	U022836000	ESCUDO FAGOR	FAGOR EMBLEM	1	1	1	1	1			
	Q221023000	CLIP SUJECCIÓN RÁPIDA Ø 5	RAPID FASTENING CLIP Ø5	2	2	2	2	2			
14	9294600000	MIRILLA CRISTAL	INSPECTION WINDOW	1	1	1	1	1			
S/Nº	S312617000	TAPA MIRILLA	INSPECTION WINDOW COVER	1	1	1	1	1			
	Q221342000	REMACHE EXAGONAL M5	HEXAGONAL RIVET M5	2	2	2	2	2			
	Q012031000	TORNILLO EXAGONAL M5x10 A304	HEXAGONAL BOLT M5x10 A304	2	2	2	2	2			

MOD.		MARMITAS GAMA 900 / PAN 900 RANGE		ZONA		MUEBLE / UNIT					PLANO		C-2260
ITEM	CODIGO	DENOMINACION	TEXTO	MG9-10 BM	MG9-10 BM S	MG9-15 BM	MG9-15 BM S	MG9-15 BM 316				NOTAS	
15	S022802000	PANEL FRONTAL MG9-10 BM	FRONT PANEL MG9-10 BM	1	-	-	-	-					
15	S102811000	PANEL FRONTAL MG9-10 BM S	FRONT PANEL MG9-10 BM S	-	1	-	-	-					
15	S222814000	PANEL FRONTAL MG9-15 BM	FRONT PANEL MG9-15 BM	-	-	1	1	1					
	Q012042000	TORNILLO EXAGONAL M6x15	HEXAGONAL BOLT M6x15	2	2	2	2	2					
	Q302022000	ARANDELA 16x6x1,2 A304	WASHER 16x6x1.2 A304	2	2	2	2	2					
16	S112804000	EMBELLECEDOR TUBO	PIPE TRIM	1	1	1	1	1					
	Q221324000	TUERCA 3/4 GAS	NUT 3/4 GAS	1	1	1	1	1					
17	S102610000	LISTON SOPORTE PATAS ANT. 1M	FRONT LEG SUPPORT STRIP 1M	1	-	1	-	1					
18	S022651000	ENVOLVENTE MG9-10 BM	ENCLOSURE MG9-10 BM	1	-	-	-	-					
18	S022657000	ENVOLVENTE MG9-10 BM S	ENCLOSURE MG9-10 BM S	-	1	-	-	-					
18	S042659000	ENVOLVENTE MG9-15 BM	ENCLOSURE MG9-15 BM	-	-	1	1	1					
	Q151323000	TORNILLO BROCA 4,8X16	DRILL BIT SCREW 4.8X16	26	26	26	26	26					
19	S102611000	LISTON SOPORTE PATAS POS.1M	REAR LEG SUPPORT STRIP 1M	1	-	1	-	1					
	Q012042000	TORNILLO EXAGONAL M6x15	HEXAGONAL BOLT M6x15	8	-	8	-	8					
	Q302022000	ARANDELA 16x6x1,2 A304	WASHER 16x6x1.2 A304	8	-	8	-	8					
	Q232040000	ARANDELA A6	WASHER A6	8	-	8	-	8					
20	X260151000	PATA REGULABLE	ADJUSTABLE LEG	4	-	4	-	4					
	Q411304000	REMACHE AVIBULB Ø4,8	AVIBULB RIVET Ø4.8	16	-	16	-	16					
21	S222620000	BASE INFERIOR	LOWER BASE	1	-	1	-	1					
21	S142617000	BASE INFERIOR MG9-10 S	LOWER BASE MG9-10 S	-	1	-	-	-					
21	S222640000	BASE INFERIOR S	LOWER BASE S	-	-	-	1	-					
	Q221343000	REMACHE EXAGONAL M6	HEXAGONAL RIVET M6	2	2	2	2	2					
	Q162040000	TUERCA EXAGONAL M6	HEXAGONAL NUT M6	4	-	4	-	4					
22	U562853000	PANEL POSTERIOR 1M G9-00	REAR PANEL 1M G9-00	1	-	1	-	1					
22	X242817000	PANEL POSTERIOR 1M G9-10S	REAR PANEL 1M G9-10S	-	1	-	-	-					
22	S372816000	PANEL POSTERIOR 1M G9-15 S	REAR PANEL 1M G9-15 S	-	-	-	1	-					
	Q419005000	REMACHE 4x8 ALMG3 / ALUMINIO	RIVET 4X8 ALMG3 / ALUMINIUM	8	8	8	8	8					
23	S102616000	VIROLA MG900 BM	SHELL MG900 BM	2	2	2	2	2					
	Q162040000	TUERCA EXAGONAL M6	HEXAGONAL NUT M6	20	20	20	20	20					
	Q302022000	ARANDELA 16x6x1,2 A304	WASHER 16x6x1.2 A304	20	20	20	20	20					



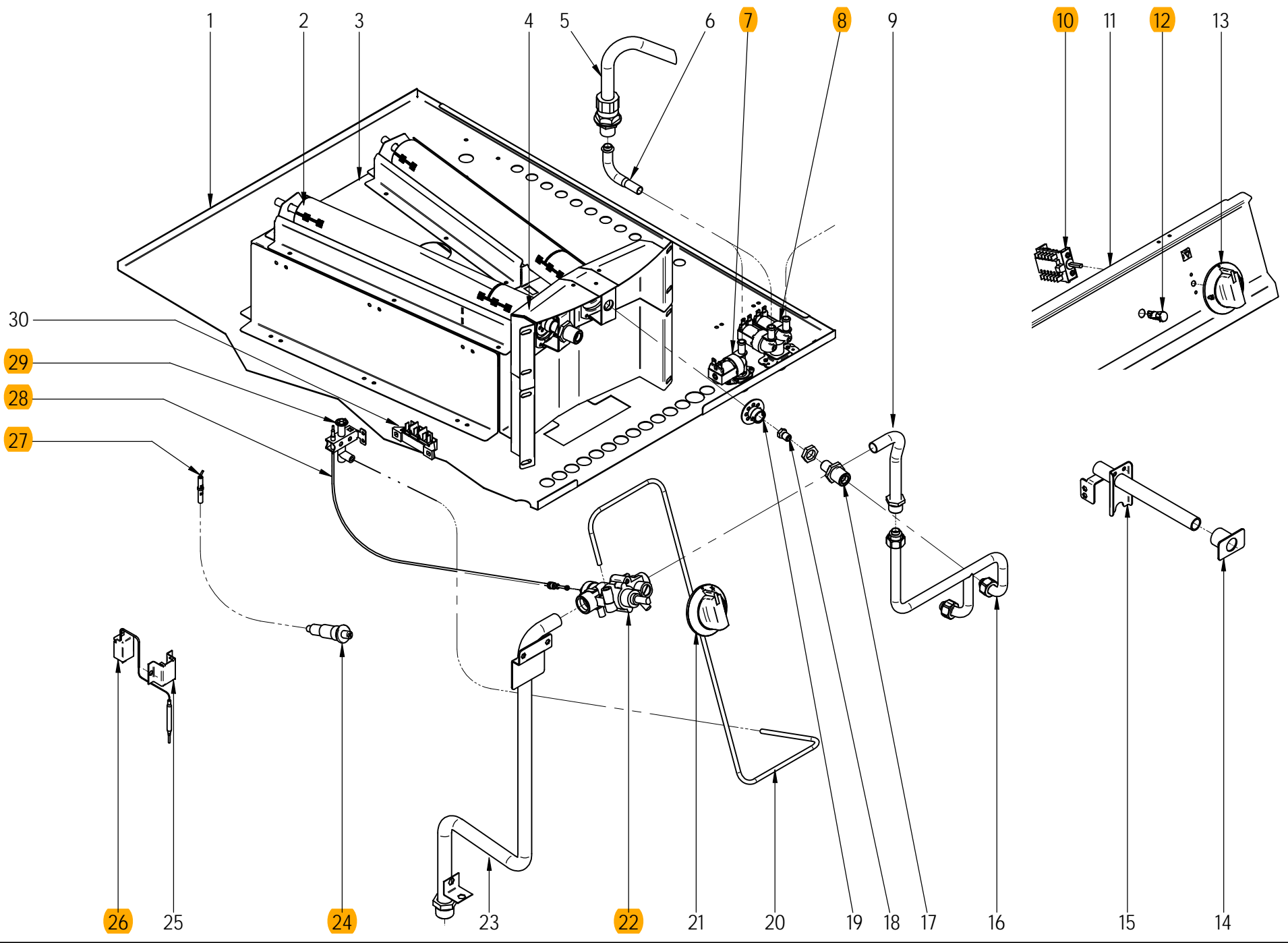
N plano	C-2261
Firma	
Fecha	2009-03
Aparato	MARMITA MG9-10 BM; MG9-15 BM
Lamina	2
Fagor Industrial S. Coop. Onda e	

ITEM MARCADO EN COLOR = REPUESTO RECOMENDADO  
 COLOURED ITEM = RECOMMENDED SPARE PART



MOD.		MARMITAS GAMA 900 / PAN 900 RANGE		ZONA		VALVULAS					PLANO		C-2261
ITEM	CODIGO	DENOMINACION	TEXTO	MG9-10 BM	MG9-10 BM S	MG9-15 BM	MG9-15 BM S	MG9-15 BM 316				NOTAS	
1	S022100000	SOPORTE 3 SALIDAS 22805062	3-OUTPUT SUPPORT 22805062	1	1	1	1	1					
	Q306063000	ARANDELA Ø34x26,7x1,5	WASHER Ø34x26.7x1.5	1	1	1	1	1					
2	S022102000	PORTAMANOMETRO 2210617	MANOMETERHOLDER 2210617	1	1	1	1	1					
	Q306066000	ARANDELA Ø23,9x16,6x3	WASHER Ø23.9X16.6X3	1	1	1	1	1					
3	9220815000	MANOMETRO 36303601	MANOMETER 36303601	1	1	1	1	1					
4	S022101000	VALVULA SEGURIDAD 01508004	SAFETY VALVE 01508004	1	1	1	1	1					
	Q306063000	ARANDELA Ø34x26,7x1,5	WASHER Ø34x26.7x1.5	1	1	1	1	1					
5	S022103000	VALVULA PRESION 01509004	PRESSURE VALVE 01509004	1	1	1	1	1					
	Q306064000	ARANDELA Ø29,8x24,8x1,5	WASHER Ø29.8x24.8x1.5	1	1	1	1	1					
6	S052100000	TUBO LLENADO 01102113	FILLER PIPE 01102113	1	1	1	1	1					
7	S146122000	CUBA COMPLETA MG9-10 BM	COMPLETE TUB MG9-10 BM	1	1	-	-	-					
7	S226113000	CUBA COMPLETA MG9-15 BM	COMPLETE TUB MG9-15 BM	-	-	1	1	-					
7	S226133000	CUBA COMPLETA MG9-15 BM 316	COMPLETE TUB MG9-15 BM 316	-	-	-	-	1					
8	S025006000	CONDOC. PURGA COMPL. INF.	LOWER COMPL. BLEED PIPE	2	2	-	-	-					
8	S045004000	CONDUCTO A NIVEL COMPLETO	COMPLETE LEVEL PIPE	-	-	2	2	2					
9	S045006000	CASQUILLO GRIFO NIVEL	LEVEL TAP BUSHING	1	1	1	1	1					
10	S102124000	GRIFO DE NIVEL C/MANILLA NEG	LEVEL TAP WITH BLACK HANDLE	1	1	1	1	1					
11	S042102000	TUBO NIVEL SERIGRAFIADO	PRINTED LEVEL PIPE	1	1	1	1	1					
S/Nº	S082101000	TUERCA 3/8	NUT 3/8	2	2	2	2	2					
S/Nº	U265008000	BICONO Ø10	BICONE Ø10	2	2	2	2	2					
12	S042101000	RACORD VISOR NIVEL	LEVEL SIGHT CONNECTION	2	2	2	2	2					
	Q307069000	JUNTA TORICA 17.26X12.36X2.5	O-RING 17.26X12.36X2.5	2	2	2	2	2					
13	S042647000	PROTECCION VISUALIZADOR	DISPLAY PROTECTION	1	1	1	1	1					
	Q032021000	TORNILLO ALOMADO M4X10	CURVED SCREW M4X10	4	4	4	4	4					
14	S102125000	GRIFO VACIADO 2"	DRAINAGE TAP 2"	1	1	1	1	1					
15	S112803000	CUBIERTA GRIFO MG-900	TAP COVER MG-900	1	1	1	1	1					
S/Nº	S112105000	MUELLE SOPORTE CUBIER. 07003	COVER SUPPO. SPRING 07003	1	1	1	1	-					
S/Nº	S092100000	MUELLE SOPORTE CUBIER. 31061	COVER SUPPO. SPRING 1061	-	-	-	-	1					

N plano  
**C-2262**  
 Firma  
 Fecha  
**2009-03**  
 Aparato  
**MARMITA MG9-10 BM; MG9-15 BM**  
 CONJUNTO FUNCIONAL  
 Laminia  
**3**  
 Fagor Industrial S. Coop. **FAGOR**  
 Onda e



ITEM MARCADO EN COLOR = REPUESTO RECOMENDADO  
 COLOURED ITEM = RECOMMENDED SPARE PART

MOD.		MARMITAS GAMA 900 / PAN 900 RANGE		ZONA		CONJUNTO FUNCIONAL / FUNCTIONAL UNIT					PLANO		C-2262
ITEM	CODIGO	DENOMINACION	TEXTO	MG9-10 BM	MG9-10 BM S	MG9-15 BM	MG9-15 BM S	MG9-15 BM 316				NOTAS	
1	S222620000	BASE INFERIOR	LOWER BASE	1	-	1	-	1					
1	S142617000	BASE INFERIOR MG9-10 S	LOWER BASE MG9-10 S	-	1	-	-	-					
1	S222640000	BASE INFERIOR S	LOWER BASE S	-	-	-	1	-					
2	S225701000	QUEMADOR DE POLIDORO MG900	POLIDORO BURNER MG900	2	2	2	2	2					
	Q012021000	TORNILLO EXAGONAL M4x10 A304	HEXAGONAL BOLT M4x10 A304	8	8	8	8	8					
3	S022649000	BASE QUEMADOR MG9-10 BM	BURNER BASE MG-910 10 BM	1	-	-	-	-					
3	S102618000	BASE QUEMADOR MG-910 BM S	BURNER BASE MG-910 BM S	-	1	-	-	-					
3	S222633000	BASE QUEMADOR MG-915 BM	BURNER BASE MG-915 BM	-	-	1	1	1					
	Q419005000	REMACHE 4x8 ALMG3 / ALUMINIO	RIVET 4X8 ALMG3 / ALUMINIUM	-	10	10	10	10					
S/Nº	S222630000	DEFLECTOR DCHO. QUEMADOR	RIGHT DEFLECTOR BURNER	1	1	1	1	1					
S/Nº	S222631000	DEFLECTOR IZDO. QUEMADOR	LEFT DEFLECTOR BURNER	1	1	1	1	1					
4	S102615000	FRONTAL QUEMADOR MG9-10 BM	BURNER FRONT MG9-10 BM	1	1	-	-	-					
4	S252605000	FRONTAL QUEMADOR MG9-20	BURNER FRONT MG9-20	-	-	1	1	1					
	Q221342000	REMACHE EXAGONAL M5	HEXAGONAL RIVET M5	2	2	2	2	2					
	Q221341000	REMACHE EXAGONAL M4	HEXAGONAL RIVET M4	8	8	8	8	8					
5	S052100000	TUBO LLENADO 01102113	FILLER PIPE 01102113	1	1	1	1	1					
6	S565027000	TUBO ENTRADA TUBO LLENADO	INTAKE PIPE FILLER PIPE	1	1	1	1	1					
	Q306024000	JUNTA 18X12.5X1.5	SEAL 18X12.5X1.5	1	1	1	1	1					
	Q223010000	TUERCA 1/2 GAS	NUT 1/2 GAS	1	1	1	1	1					
S/Nº	3676900000	TUBO GOMA NEGRA Ø 17*10	BLACK RUBBER PIPE 17*10	3	3	3	3	3					
	Q881308000	ABRAZADERA 8-14L	CLAMP 8-14L	6	6	6	6	6					
S/Nº	Z201106000	RACORD EN Y	Y-CONNECTION	1	1	1	1	1					
7	Z701135000	ELECTROVALVULA SIMP. 220V	SIMPLE SOLENOID VALVE 220V	1	1	1	1	1					
8	P255001000	ELECTROVALVULA DOBLE	DOUBLE SOLENOID VALVE	1	1	1	1	1					
	S222645000	PROT. ELECTROVALVULA M900	SOLENOID PROTECTION M900	1	1	1	1	1				INTRODUCIDO 01.12.09	
	S222646000	TAPA PROTEC. ELECTR. M900	PROT. COVER SOLENOID M900	1	1	1	1	1				INTRODUCIDO 01.12.09	
	Z601156000	REGULADOR 8L RO. 254.034	REGULATOR 8L RED 254.034	3	3	3	3	3					
	Q032021000	TORNILLO ALOMADO M4X10	CURVED SCREW M4X10	4	4	4	4	4					
9	S565015000	CONDUCCION CONEXION GRIFO	TAP CONNECTION PIPE	1	1	1	1	1					
	Q306024000	JUNTA 18X12.5X1.5	SEAL 18x12.5x1.5	3	3	3	3	3					

MOD.		MARMITAS GAMA 900 / PAN 900 RANGE		ZONA		CONJUNTO FUNCIONAL / FUNCTIONAL UNIT					PLANO		C-2262
ITEM	CODIGO	DENOMINACION	TEXTO	MG9-10 BM	MG9-10 BM S	MG9-15 BM	MG9-15 BM S	MG9-15 BM 316				NOTAS	
10	R693004000	CONMUTADOR DE FUNCIONES	FUNCTIONS SWITCH	1	1	1	1	1					
	Q042022000	TORNILLO AVELLANADO M4X15	COUNTERSUNK BOLT M4x15	2	2	2	2	2					
11	S222809000	PORTAMANDOS MARMITA 1M	PAN CONTROL HOLDER 1M	1	1	1	1	1					
12	X143018000	PILOTO AMBAR SARTEN	FRYING PAM AMBER PILOT	1	1	1	1	1					
13	S142107000	MANDO AGUA MARMITA BM	WATER PAN CONTROL BM	1	1	1	1	1					
14	S112804000	EMBELLECEDOR TUBO	PIPE TRIM	1	1	1	1	1					
15	S225042000	TUBO ENCENDIDO COMP. MG-900	COMPLETE IGNITION PIPE MG-900	1	1	1	1	1					
	Q012031000	TORNILLO EXAGONAL M5x10 A304	HEXAGONAL BOLT M5x10 A304	2	2	2	2	2					
16	S025023000	CONDUCCION A QUEMADOR G910	PIPING TO BURNER G910	1	1	-	-	-					
16	S045033000	CONDUCCION A QUEMADOR G915	PIPING TO BURNER G915	-	-	1	1	1					
	S312105000	TUERCA FIJAC.COND.QUEMADOR	BURNER PIPE FASTENING NUT	1	1	1	1	1					
	S312106000	BICONO Ø16	BICONE Ø16	1	1	1	1	1					
17	X505724000	MANGUITO PORTATOVERAS	NOZZLE HOLDER SLEEVE	2	2	2	2	2					
	Q223019000	TUERCA 3/8 GAS LATÓN	NUT 3/8 GAS BRASS	2	2	2	2	2					
18	9105100000	TOBERA Ø 1.50 BUT-PROPANO	NOZZLE Ø1.50 BUT-PROPANE	2	2	-	-	-					
18	U134401000	TOBERA Ø 2,20 GAS NATURAL	NOZZLE Ø2.20 GAS NATURAL	2	2	-	-	-					
18	N502401000	TOBERA Ø 1.70 BUT-PROPANO	NOZZLE Ø1.70 BUT-PROPANE	-	-	2	2	2					
18	S222401000	TOBERA Ø 2,55 GAS NATURAL	NOZZLE Ø2.55 GAS NATURAL	-	-	2	2	2					
19	X505013000	REGULADOR DE AIRE POLIDORO	POLIDORO AIR CONTROL	2	2	2	2	2					
	Q012021000	TORNILLO EXAGONAL M4x10 A304	HEXAGONAL BOLT M4x10 A304	2	2	2	2	2					
20	S025025000	TUBO PILOTO MG9-10 BM	PILOT PIPE MG9-10	1	1	-	-	-					
20	S045035000	TUBO PILOTO MG9-20	PILOT PIPE MG9-20	-	-	1	1	1					
	X205028000	BICONO Ø 6	BICONE Ø 6	1	1	1	1	1					
	S312107000	MANGUITO TUBO PILOTO	PILOT PIPE HOSE	1	1	1	1	1					
	U134323000	RACORD BICONO Ø 6 958.031	BICONE CONNECTION Ø 6 958.031	1	1	1	1	1					
21	S102103000	BOTON DE MANDO MARMITA	PAN CONTROL BUTTON	1	1	1	1	1					
22	S312101000	GRIFO SC. PEL-23S.V Ø1,40	TAP SC. PEL-23S.V Ø1,40	1	1	1	1	1				ELIMINADO 01.06.09	
22	S312115000	GRIFO SC. PEL-23S.V Ø 2,2	TAP SC. PEL-23S.V Ø 2,2	1	1	1	1	1				INTRODUCIDO 01.06.09	

MOD.		MARMITAS GAMA 900 / PAN 900 RANGE		ZONA		CONJUNTO FUNCIONAL / FUNCTIONAL UNIT					PLANO		C-2262
ITEM	CODIGO	DENOMINACION	TEXTO	MG9-10 BM	MG9-10 BM S	MG9-15 BM	MG9-15 BM S	MG9-15 BM 316				NOTAS	
23	S205029000	CONDUCCION GRAL. MARMITAS	GEN. PIPE PANS.	1	-	1	-	1					
23	S105028000	CONDUCC. GRAL. MARMITAS 910S	GEN PIPE PAN 910S	-	1	-	-	-					
23	S045037000	CONDUCCION GRAL. MARMITAS S	GEN. PIPE PANS S	-	-	-	1	-					
	Q221342000	REMACHE EXAGONAL M5	HEXAGONAL RIVET M5	1	1	1	1	1					
	Q152004000	TORNILLO APLAST. M5x13 A304	MUSHROOM HEAD BOLT M5x13 A	1	1	1	1	1					
	Q012042000	TORNILLO EXAGONAL M6x15	HEXAGONAL BOLT M6x15	1	1	1	1	1					
	Q302022000	ARANDELA 16x6x1,2 A304	WASHER 16x6x1.2 A304	1	1	1	1	1					
	Q221343000	REMACHE EXAGONAL M6	HEXAGONAL RIVET M6	1	1	1	1	1					
	S312103000	TUERCA FIJACION COND. GNRAL	GEN. PIPE FASTEN NUT	1	1	1	1	1					
	S312104000	BICONO Ø20	BICONE Ø20	1	1	1	1	1					
S/Nº	Z602121000	MANGUERA ENTRADA AGUA	WATER INTAKE HOSE	-	2	-	2	-					
24	S113034000	PIEZO ELECTRICO	PIEZOELECTRIC	1	1	1	1	1					
25	X353007000	SOPORTE TERMOSTATO SEG.	SAFETY THERMOSTAT SUPPORT	1	1	1	1	1					
	Q221341000	REMACHE EXAGONAL M4	HEXAGONAL RIVET M4	2	2	2	2	2					
	Q012021000	TORNILLO EXAGON. M4x10 A304	HEXAGONAL BOLT. M4x10 A304	2	2	2	2	2					
26	X033001000	TERMOSTATO DE SEGURIDAD	SAFETY THERMOSTAT	1	1	1	1	1					
27	X022131000	BUJIA	SPARK PLUG	1	1	1	1	1					
28	S042106000	TERMOPAR MG9-10 BM	THERMOCOUPLE MG9-10 BM	1	1	1	1	1					
	U264301000	RACORD EMPALME TERMOPAR	THERMOC. JUNCTION RACORD	1	1	1	1	1				INTRODUCIDO 01.03.10	
29	R202100000	CONJUNTO SOPORTE PILOTO	PILOT SUPPORT UNIT	1	1	1	1	1				ELIMINADO 01.03.10	
29	U322118000	PILOTO COMPLETO BP 100.062	COMPL. PILOT BP 100.062	1	1	1	1	1				INTRODUCIDO 30.07.09	
	U442137000	INYECTOR Ø 0,4 (GAS NATURAL)	NOZZLE Ø 0.4 (GAS NATURAL)	1	1	1	1	1					
	Q221342000	REMACHE EXAGONAL M5	HEXAGONAL RIVET M5	2	2	2	2	2					
	Q012031000	TORNILLO EXAGON. M5x10 A304	HEXAGONAL BOLT. M5x10 A304	2	2	2	2	2					
30	U183046000	REGLETA AUXILIAR	AUXILIARY STRIP	1	1	1	1	1					
	Q152004000	TORNILLO APLAST. M5x13 A304	MUSHROOM HEAD BOLT M5x13 A	2	2	2	2	2					









