

**Lavavajillas de capota
Lave-vaisselle d' capot
Pass-through dishwasher
Durchschub geschirrspüler
Lavastoviglie a cappuccio
Lava-louças de capota**

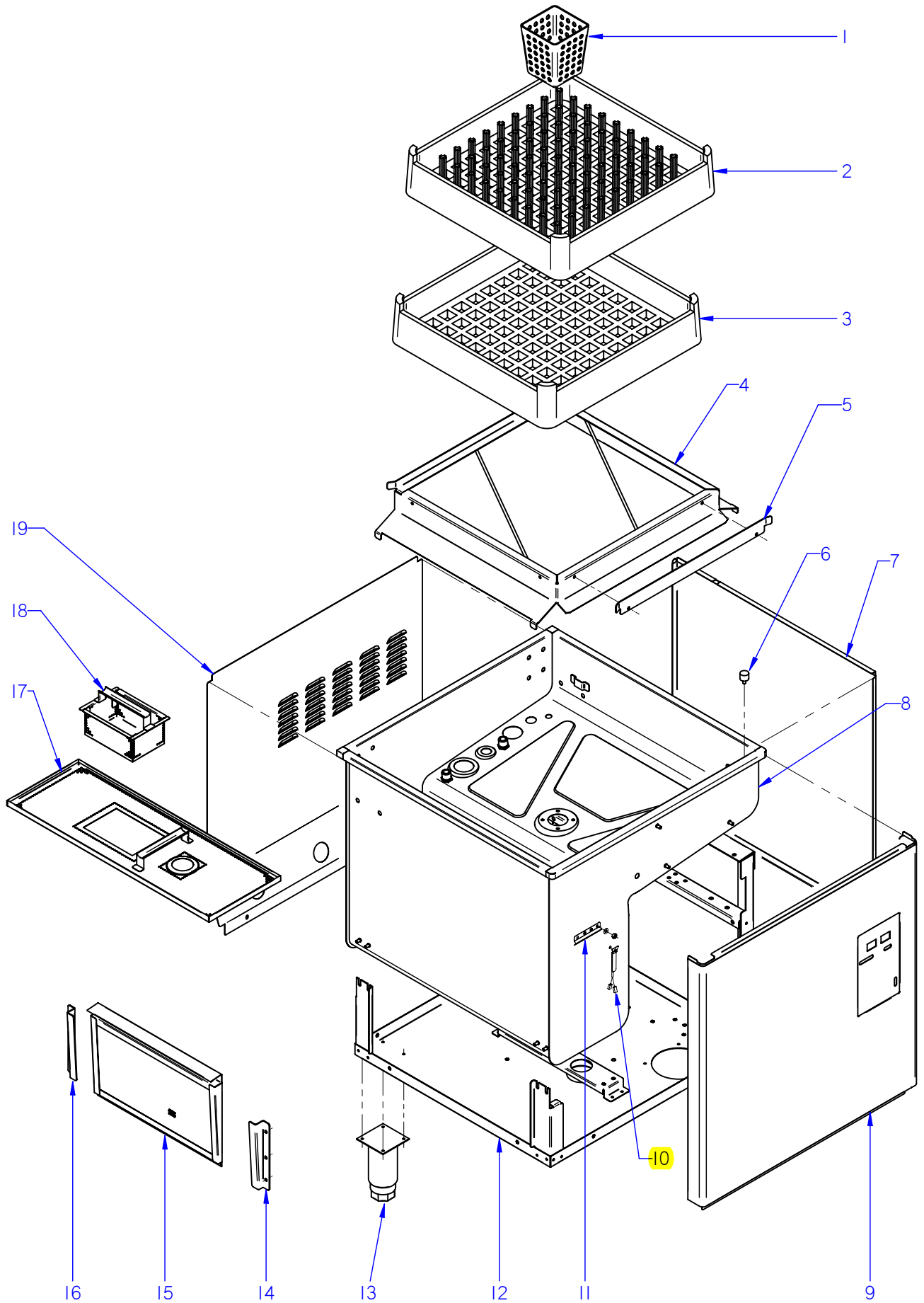
Modelos:

**AD-120
AD-120B
ADE-120
ADE-120B**

Diciembre 2009 December
Revisado Septiembre 2013 September Revised



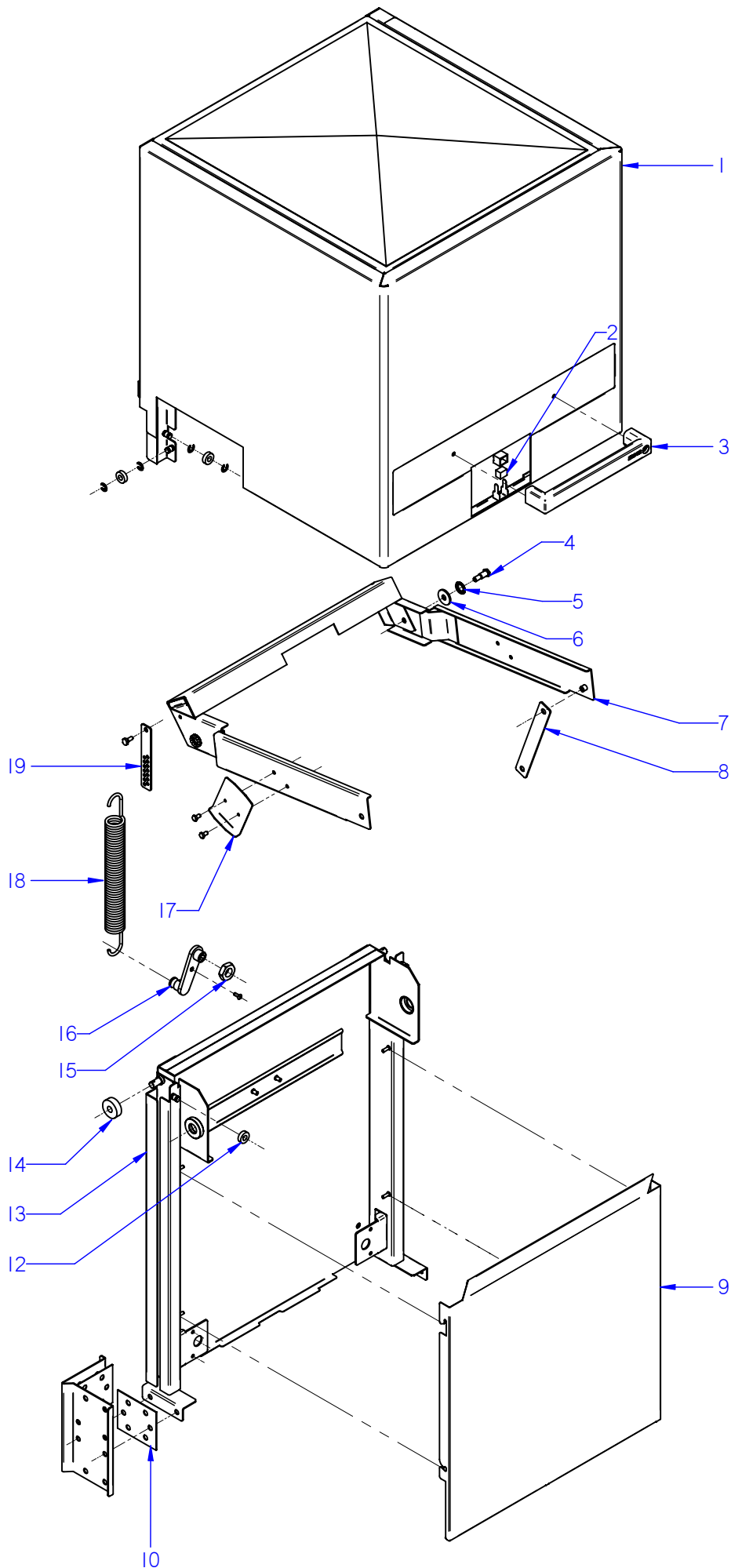
F A G O R I N D U S T R I A L



ITEM MARCADO EN COLOR = REPUESTO RECOMENDADO
 COLOURED ITEM = RECOMMENDED SPARE PART

| | | | | | | |
|---------|--------------------|---------|-------------------------------|--------|--------|---------------------------------------|
| N plano | Firma | Fecha | Aparato | MUEBLE | Lamina | Fagor Industrial S.Coop. FAGOR |
| C-2485 | <i>[Signature]</i> | 2009-12 | LAVAVAJILLAS AD-120 / ADE-120 | | 1 | Oñate |

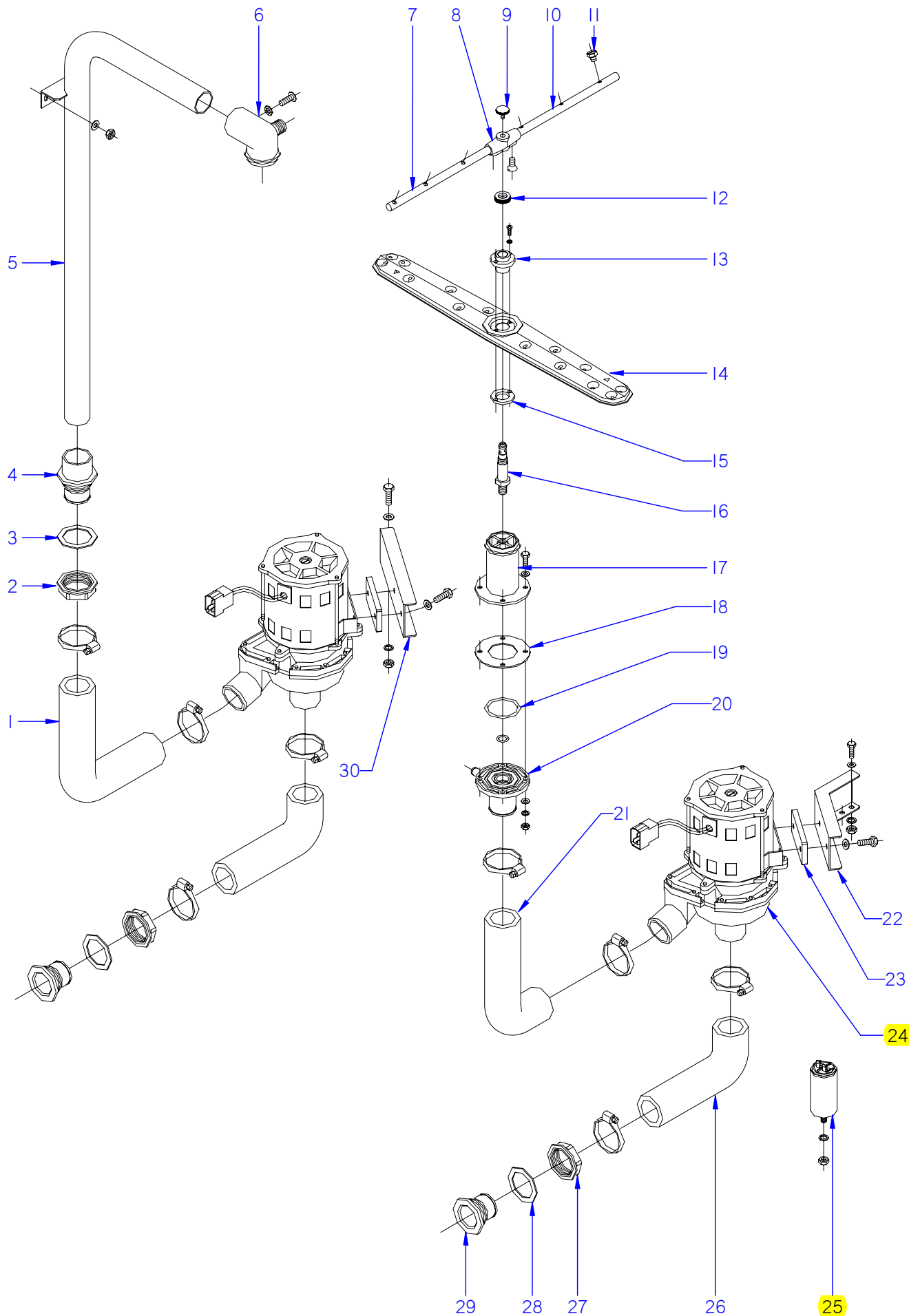
| MOD. | | LAVAVAJILLAS DE CAPOTA PASS THROUGH DISHWASHER | | ZONA / ZONE | MUEBLE / FITTING | | | | PLANO DIAGRAM | C-2485 |
|------|------------|---|---------------------------|-------------|------------------|---------|----------|--|------------------|----------------------|
| ITEM | CODIGO | DENOMINACION | TEXTO | AD-120 | AD-120B | ADE-120 | ADE-120B | | | NOTAS |
| 1 | Z655314000 | CESTILLO CUBIERTOS | CUTLERY BASKET | 8 | 8 | 8 | 8 | | | |
| 2 | Z655302000 | CESTILLO PLATOS CP-16-18 | PLATE BASKET CP-16-18 | 2 | 2 | 2 | 2 | | | |
| 3 | Z655301000 | CESTILLO BASE CT-10 | BASE BASKET CT-10 | 1 | 1 | 1 | 1 | | | |
| 4 | Z710377000 | BASE CESTILLO COMPLETA | COMPLETE BASKET BASE | 1 | 1 | 1 | 1 | | | |
| 5 | Z710326000 | GUIA CESTILLO | BASKET GUIDE | 1 | 1 | 1 | 1 | | | |
| | Q152004000 | TORNILLO APLAST. M5x13 A304 | MUSHROOM HEAD BOLT M5x13 | 2 | 2 | 2 | 2 | | | |
| | Q242030000 | ARANDELA ABANICO A5 A.304 | FAN WASHER A5 A.304 | 2 | 2 | 2 | 2 | | | |
| | Q162030000 | TUERCA EXAGONAL M5 | HEXAGONAL NUT M5 | 2 | 2 | 2 | 2 | | | |
| | Q308000000 | ARANDELA DUBO A.8 | DUBO A.8 WASHER | 14 | 14 | 14 | 14 | | | |
| 6 | Z710316000 | AMORTIGUADOR | DAMPER | 2 | 2 | 2 | 2 | | | |
| | Q262040000 | ARANDELA GROW. A6 A.304 | WASHER GROW. A6 A.304 | 2 | 2 | 2 | 2 | | | |
| | Q162040000 | TUERCA EXAGONAL M6 | HEXAGONAL NUT M6 | 2 | 2 | 2 | 2 | | | |
| | Q012073000 | TORNILLO EXAGONAL M12x20 | HEXAGONAL BOLT M12x20 | 1 | 1 | 1 | 1 | | | |
| | Q306024000 | JUNTA 18x12.2x1.5 | SEAL 18x12.2x1.5 | 1 | 1 | 1 | 1 | | | |
| | Q162070000 | TUERCA EXAGONAL M12 | HEXAGONAL NUT M12 | 1 | 1 | 1 | 1 | | | |
| 7 | Z749311000 | PANEL LATERAL DERECHO | RIGHT SIDE PANEL | 1 | 1 | 1 | 1 | | | |
| | Q152004000 | TORNILLO APLAST. M5x13 A304 | MUSHROOM HEAD BOLT M5x13 | 2 | 2 | 2 | 2 | | | |
| S/Nº | Z749312000 | PANEL LATERAL IZQUIERDO | LEFT SIDE PANEL | 1 | 1 | 1 | 1 | | | |
| | Q152004000 | TORNILLO APLAST. M5x13 A304 | MUSHROOM HEAD BOLT M5x13 | 2 | 2 | 2 | 2 | | | |
| 8 | Z710378000 | CUBA COMPLETA AD-100-120 | COMPLETE TUB AD-100-120 | 1 | 1 | 1 | 1 | | | ELIMINADO 29.06.10 |
| 8 | Z710383000 | CUBA COMPLETA AD-100-120 | COMPLETE TUB AD-100-120 | 1 | 1 | 1 | 1 | | | INTRODUCIDO 29.06.10 |
| | Q232040000 | ARANDELA A6 | WASHER A6 | 4 | 4 | 4 | 4 | | | |
| | Q302022000 | ARANDELA 16x6x1.2 A.304 | WASHER 16X6X1.2 A.304 | 4 | 4 | 4 | 4 | | | |
| | Q262040000 | ARANDELA GROW. A6 A.304 | WASHER GROW. A6 A.304 | 8 | 8 | 8 | 8 | | | |
| | Q162040000 | TUERCA EXAGONAL M6 | HEXAGONAL NUT M6 | 8 | 8 | 8 | 8 | | | |
| 9 | Z712937000 | PANEL FRONTAL AD-80-100-120 | FRONT PANEL AD-80-100-120 | 1 | 1 | 1 | 1 | | | |
| 10 | Z713028000 | SONDAS TEMPERATURA GICAR | GICAR TEMPERATURE GAUGE | 1 | 1 | 1 | 1 | | | |
| S/Nº | Z718004000 | AMARRE SONDA | PROBE FASTENING | 1 | 1 | 1 | 1 | | | |
| | Q242020000 | ARANDELA ABANICO A.4 A304 | FAN WASHER A.4 A304 | 1 | 1 | 1 | 1 | | | |
| | Q162020000 | TUERCA EXAGONAL M4 | HEXAGONAL NUT M4 | 1 | 1 | 1 | 1 | | | |
| S/Nº | Z206135000 | CHECK LIST LAVAVAJILLAS FAGOR | CHECK LIST | 1 | 1 | 1 | 1 | | | INTRODUCIDO 19.07.10 |



ITEM MARCADO EN COLOR = REPUESTO RECOMENDADO
 COLOURED ITEM = RECOMMENDED SPARE PART

| | | | | | | |
|---------|--------------------|---------|-------------------------------|------|--------|---------------------------------------|
| N plano | Firma | Fecha | Aparato | CAPO | Lamina | Fagor Industrial S.Coop. FAGOR |
| C-2486 | <i>(Signature)</i> | 2009-12 | LAVAVAJILLAS AD-120 / ADE-120 | | 2 | Oñate |

| MOD. | | LAVAVAJILLAS DE CAPOTA THROUGH DISHWASHER | | PASS | ZONA / ZONE | | CAPO / HOOD | | | | PLANO DIAGRAM | | C-2486 |
|------|------------|--|-----------------------------|--------|-------------|---------|-------------|--|--|--|------------------|-------|--------|
| ITEM | CODIGO | DENOMINACION | TEXTO | AD-120 | AD-120B | ADE-120 | ADE-120B | | | | | NOTAS | |
| 1 | Z740505000 | CAPO RECTO COMPLETO | COMPLETE STRAIGHT HOOD | 1 | 1 | 1 | 1 | | | | | | |
| | Z710515000 | CASQUILLO RODANTE | REVOLVING BUSHING | 4 | 4 | 4 | 4 | | | | | | |
| | Q271006000 | ARANDELA DE SEGURIDAD 8 | SAFETY WASHER 8 | 8 | 8 | 8 | 8 | | | | | | |
| 2 | Z200506000 | IMAN | MAGNET | 1 | 1 | 1 | 1 | | | | | | |
| S/Nº | Z200507000 | PROTECTOR IMAN | MAGNET PROTECTOR | 1 | 1 | 1 | 1 | | | | | | |
| 3 | Z710558000 | ASA CAPOTA AD | AD HOOD HANDLE | 1 | 1 | 1 | 1 | | | | | | |
| | Q032041000 | TORNILLO ALOMADO M6x10 | CURVED SCREW M6x10 | 2 | 2 | 2 | 2 | | | | | | |
| | Q308002000 | ARANDELA DUBO A6 NYLON | WASHER DUBO A6 NYLON | 2 | 2 | 2 | 2 | | | | | | |
| 4 | Z710542000 | EJE DE GIRO | ROTARY SHAFT | 2 | 2 | 2 | 2 | | | | | | |
| 5 | Z710541000 | RODAMIENTO 6200-2RS1 | BEARING 6200-2RS1 | 2 | 2 | 2 | 2 | | | | | | |
| 6 | Q308012000 | ARANDELA 30x10x3 | WASHER 30x10x3 | 2 | 2 | 2 | 2 | | | | | | |
| 7 | Z710517000 | BALANCIN COMPLETO | COMPLETE ROCKER ARM | 1 | 1 | 1 | 1 | | | | | | |
| | Q232050000 | ARANDELA A8 | WASHER A8 | 2 | 2 | 2 | 2 | | | | | | |
| | Q262050000 | ARANDELA GROW. A8 A.304 | WASHER GROW. A8 A.304 | 2 | 2 | 2 | 2 | | | | | | |
| | Q162050000 | TUERCA EXAGONAL M8x1 INOX. | HEXAGONAL NUT M8x1 INOX. | 2 | 2 | 2 | 2 | | | | | | |
| 8 | Z710523000 | BIELA | ROD | 2 | 2 | 2 | 2 | | | | | | |
| | Q308012000 | ARANDELA 30x10x3 | WASHER 30x10x3 | 8 | 8 | 8 | 8 | | | | | | |
| | Q232040000 | ARANDELA A6 | WASHER A6 | 4 | 4 | 4 | 4 | | | | | | |
| | Q262040000 | ARANDELA GROW. A6 A.304 | WASHER GROW. A6 A.304 | 4 | 4 | 4 | 4 | | | | | | |
| | Q012041000 | TORNILLO EXAGON. M6x10 A.304 | HEXAGONAL BOLT. M6x10 A.304 | 4 | 4 | 4 | 4 | | | | | | |
| 9 | Z718932000 | CUBIERTA RESORTES CLINIC | SPRING COVER | 1 | 1 | 1 | 1 | | | | | | |
| 10 | Z710547000 | JUNTA SOPORTE CAPO | HOOD SUPPORT SEAL | 4 | 4 | 4 | 4 | | | | | | |
| | Q012053000 | TORNILLO EXAGON. M8x20 A.304 | HEXAGONAL BOLT. M8x20 A.304 | 10 | 10 | 10 | 10 | | | | | | |
| | Q013153000 | TORNILLO EX M-8x20 LATON CRO. | HEX BOLT M-8x20 CHR. BRASS | 4 | 4 | 4 | 4 | | | | | | |
| | Q232050000 | ARANDELA A8 | WASHER A8 | 14 | 14 | 14 | 14 | | | | | | |
| | Q262050000 | ARANDELA GROW. A8 A.304 | WASHER GROW. A8 A.304 | 14 | 14 | 14 | 14 | | | | | | |
| | Q162050000 | TUERCA EXAG. M8x1 INOX. | HEXAG. SCREW M8x1 STAINLES | 10 | 10 | 10 | 10 | | | | | | |
| 11 | Z710539000 | SOPORTE GUIA CAPO | HOOD GUIDE SUPPORT | 2 | 2 | 2 | 2 | | | | | | |
| 12 | Z710515000 | CASQUILLO RODANTE | REVOLVING BUSHING | 2 | 2 | 2 | 2 | | | | | | |
| | Q271006000 | ARANDELA DE SEGURIDAD 8 | SAFETY WASHER 8 | 4 | 4 | 4 | 4 | | | | | | |



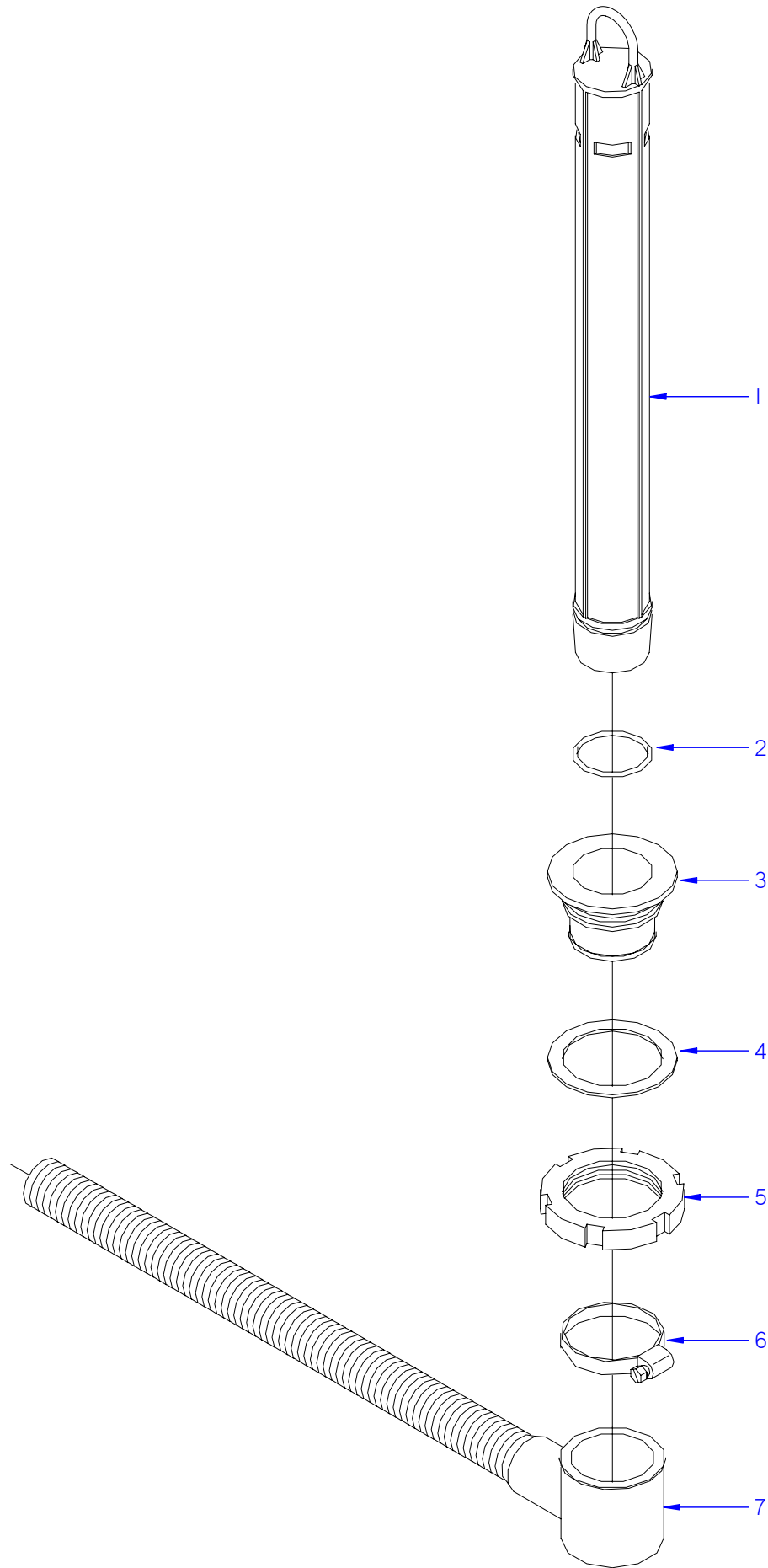
ITEM MARCADO EN COLOR = REPUESTO RECOMENDADO
COLOURED ITEM = RECOMMENDED SPARE PART

| | | | | | | |
|---------|--------------------|---------|-------------------------------|---------------------------|--------|---------------------------------------|
| N plano | Firma | Fecha | Aparato | CONJUNTO FUNCIONAL LAVADO | Lamina | Fagor Industrial S.Coop. FAGOR |
| C-2487 | <i>[Signature]</i> | 2009-12 | LAVAVAJILLAS AD-120 / ADE-120 | 3 | Oñate | |

| MOD. | | LAVAVAJILLAS DE CAPOTA THROUGH DISHWASHER | | PASS | ZONA / ZONE | PARTE FUNCIONAL LAVADO WASH FUNCTIONAL PART | | | | PLANO DIAGRAM | C-2487 |
|------|------------|--|-----------------------------|--------|-------------|--|----------|--|--|------------------|--------|
| ITEM | CODIGO | DENOMINACION | TEXTO | AD-120 | AD-120B | ADE-120 | ADE-120B | | | | NOTAS |
| 1 | Z710906000 | CONDUCTO IMPULSION POSTER. | REAR IMPULSE PIPE | 1 | 1 | 1 | 1 | | | | |
| | Q881307000 | ABRAZADERA 40-60 | CLAMP 40-60 | 2 | 2 | 2 | 2 | | | | |
| 2 | Z710708000 | TUERCA PASAMUROS | WALL BUSHING NUT | 1 | 1 | 1 | 1 | | | | |
| 3 | Q307058000 | ARANDELA 60x44x2 | WASHER 60x44x2 | 1 | 1 | 1 | 1 | | | | |
| 4 | Z330790000 | PASAMUROS IMPULSION PRELAV. | PREWASH IMPULSE BUSHING | 1 | 1 | 1 | 1 | | | | |
| 5 | Z710709000 | ARBOL LAVADO COMPLETO | COMPLETE WASH CAM | 1 | 1 | 1 | 1 | | | | |
| | Q232040000 | ARANDELA A6 | WASHER A6 | 2 | 2 | 2 | 2 | | | | |
| | Q162040000 | TUERCA EXAGONAL M6 | HEXAGONAL NUT M6 | 2 | 2 | 2 | 2 | | | | |
| 6 | Z710705000 | SOPORTE DISTRIBUIDOR SUPER. | UPPER DISTRIBUTION SUPPORT | 1 | 1 | 1 | 1 | | | | |
| | Q152004000 | TORNILLO APLAST. M5x13 A.304 | MUSHROOM HEAD BOLT M5x13 A | 1 | 1 | 1 | 1 | | | | |
| | Q242030000 | ARANDELA ABANICO A5 A.304 | FAN WASHER A5 A.304 | 1 | 1 | 1 | 1 | | | | |
| 7 | Z201902000 | RAMA ACLARADO IZQUIERDA | LEFT RINSE BRANCH | 2 | 2 | 2 | 2 | | | | |
| 8 | Z201903000 | SOPORTE RAMA ACLARADO COM. | COM. RINSE BRANCH SUPPORT | 2 | 2 | 2 | 2 | | | | |
| | Q042021000 | TORNILLO AVELLAN. M4x10 A304 | COUNTERSUNK BOLT M4x10 A304 | 4 | 4 | 4 | 4 | | | | |
| 9 | Q152016000 | TORNILLO ESPECIAL M.5x0.8 | SPECIAL BOLT M.5X0.8 | 2 | 2 | 2 | 2 | | | | |
| 10 | Z201901000 | RAMA ACLARADO DERECHA | RIGHT RINSE BRANCH | 2 | 2 | 2 | 2 | | | | |
| 11 | Z211903000 | TOBERA ACLARADO | RINSE NOZZLE | 12 | 12 | 12 | 12 | | | | |
| 12 | Z680738000 | TUERCA ESPECIAL | SPECIAL NUT | 2 | 2 | 2 | 2 | | | | |
| 13 | Z710712000 | CASQUILLO DISTRIBUIDOR | DISTRIBUTOR BUSHING | 2 | 2 | 2 | 2 | | | | |
| | Q032011000 | TORNILLO ALOMADO M3x10 | CURVED SCREW M3X10 | 4 | 4 | 4 | 4 | | | | |
| | Q242010000 | ARANDELA ABANICO A3 A.304 | FAN WASHER A3 A.304 | 4 | 4 | 4 | 4 | | | | |
| 14 | Z710701000 | DISTRIBUIDOR COMPLETO | COMPLETE DISTRIBUTOR | 2 | 2 | 2 | 2 | | | | |
| 15 | Z710713000 | ARANDELA AMARRE | ANCHORAGE WASHER | 2 | 2 | 2 | 2 | | | | |
| 16 | Z710711000 | EJE CENTRAL | CENTRAL SHAFT | 2 | 2 | 2 | 2 | | | | |
| 17 | Z710704000 | SOPORTE DISTRIBUIDOR INFER. | LOWER DISTRIBUTION SUPPORT | 1 | 1 | 1 | 1 | | | | |
| 18 | Z710714000 | JUNTA DE GOMA | RUBBER SEAL | 1 | 1 | 1 | 1 | | | | |
| 19 | Q307057000 | JUNTA TORICA 47.22x54.28x3.53 | O-RING 47.22x54.28x3.53 | 1 | 1 | 1 | 1 | | | | |
| | Q307050000 | JUNTA TORICA 13.94x19.18x2.6 | O-RING 13.94x19.18x2.6 | 1 | 1 | 1 | 1 | | | | |
| | | | | | | | | | | | |
| | | | | | | | | | | | |
| | | | | | | | | | | | |

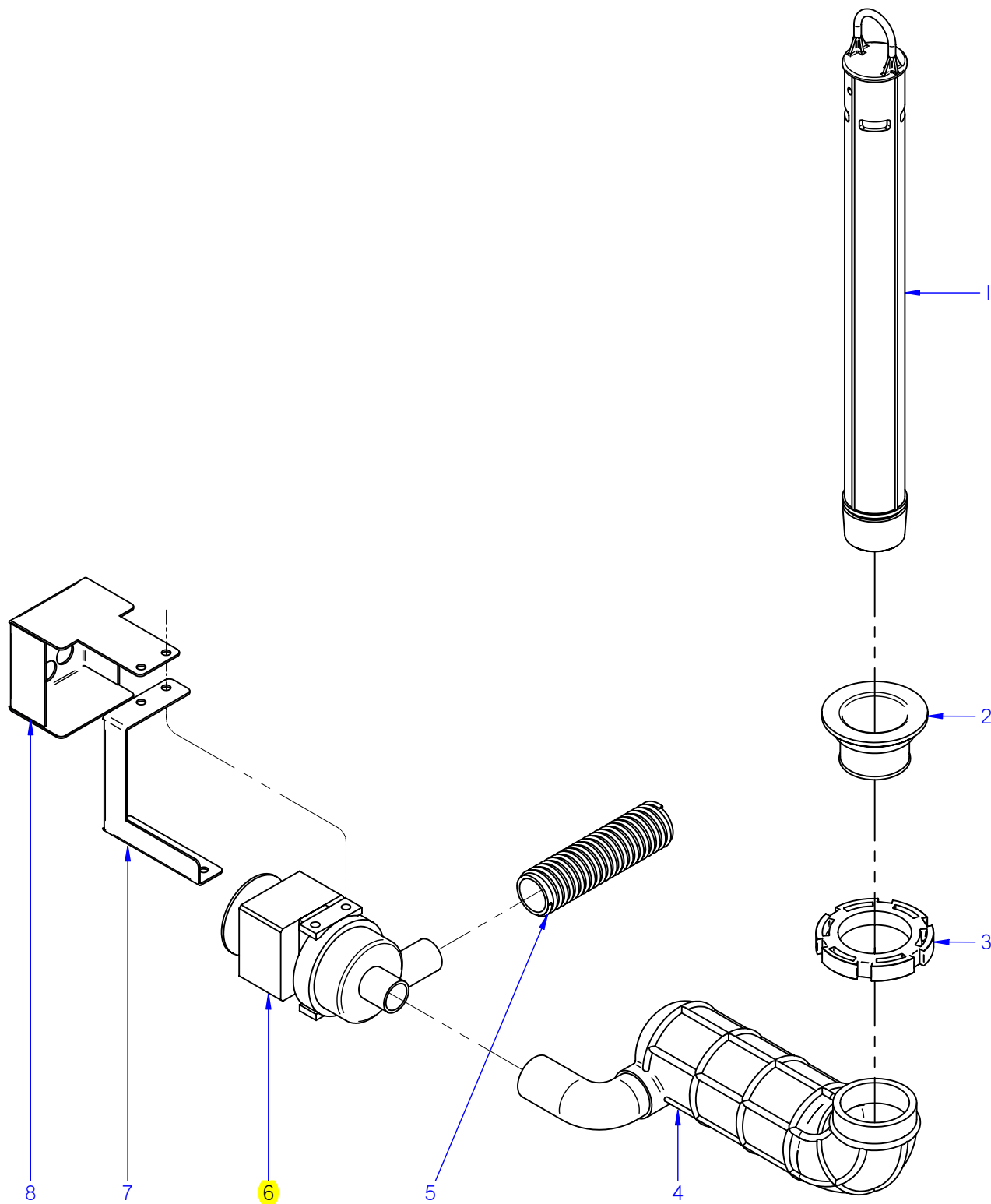
| | | | | | |
|------|---|-------------|--|------------------|--------|
| MOD. | LAVAVAJILLAS DE CAPOTA PASS THROUGH DISHWASHER | ZONA / ZONE | PARTE FUNCIONAL LAVADO WASH FUNCTIONAL PART | PLANO DIAGRAM | C-2487 |
|------|---|-------------|--|------------------|--------|

| ITEM | CODIGO | DENOMINACION | TEXTO | AD-120 | AD-120B | ADE-120 | ADE-120B | | | | NOTAS |
|------|------------|----------------------------|--------------------------|--------|---------|---------|----------|--|--|--|-------|
| 20 | Z710706000 | PASAMUROS | BUSHING | 1 | 1 | 1 | 1 | | | | |
| | Q012044000 | TORNILLO EXAGONAL M6x25 | HEXAGONAL BOLT M6x25 | 4 | 4 | 4 | 4 | | | | |
| | Q306050000 | ARANDELA 6x12x1.5 | WASHER 6x12x1.5 | 4 | 4 | 4 | 4 | | | | |
| | Q232040000 | ARANDELA A6 | WASHER A6 | 4 | 4 | 4 | 4 | | | | |
| | Q262040000 | ARANDELA GROW. A6 A.304 | WASHER GROW. A6 A.304 | 4 | 4 | 4 | 4 | | | | |
| | Q162040000 | TUERCA EXAGONAL M6 | HEXAGONAL NUT M6 | 4 | 4 | 4 | 4 | | | | |
| 21 | Z710905000 | CONDUCTO IMPULSION ANTER. | FRONT IMPULSE PIPE | 1 | 1 | 1 | 1 | | | | |
| | Q881307000 | ABRAZADERA 40-60 | CLAMP 40-60 | 2 | 2 | 2 | 2 | | | | |
| 22 | Z711001000 | SOPOR. MOTOBOMBA ANTERIOR | SUPPORT FRONT MOTOR-PUMP | 1 | 1 | 1 | 1 | | | | |
| | Q012042000 | TORNILLO EXAGONAL M6x15 | HEXAGONAL BOLT M6x15 | 2 | 2 | 2 | 2 | | | | |
| | Q232040000 | ARANDELA A6 | WASHER A6 | 2 | 2 | 2 | 2 | | | | |
| | Q262040000 | ARANDELA GROW. A6 A.304 | WASHER GROW. A6 A.304 | 2 | 2 | 2 | 2 | | | | |
| | Q162040000 | TUERCA EXAGONAL M6 | HEXAGONAL NUT M6 | 2 | 2 | 2 | 2 | | | | |
| 23 | Z201003000 | BASE BOMBA LAVADO 1003016 | WASH PUMP BASE 1003016 | 2 | 2 | 2 | 2 | | | | |
| | Q232040000 | ARANDELA A6 | WASHER A6 | 4 | 4 | 4 | 4 | | | | |
| | Q012042000 | TORNILLO EXAGONAL M6x15 | HEXAGONAL BOLT M6x15 | 4 | 4 | 4 | 4 | | | | |
| 24 | Z201011000 | BOMBA DE LAVADO | WASH PUMP | 2 | 2 | 2 | 2 | | | | |
| 24 | Z203511000 | BOMBA DE LAVADO 60 HZ. | WASH PUMP 60 Hz. | 2 | 2 | 2 | 2 | | | | |
| 25 | V321300000 | CONDENSADOR 10 M,F, | CONDENSER 10 M,F, | 2 | 2 | 2 | 2 | | | | |
| | Q162050000 | TUERCA EXAGONAL M8x1 INOX, | HEXAGONAL NUT M8x1 INOX. | 2 | 2 | 2 | 2 | | | | |
| 26 | Z710904000 | CONDUCTO ASPIRACION | EXTRACTOR PIPE | 2 | 2 | 2 | 2 | | | | |
| | Q881307000 | ABRAZADERA 40-60 | CLAMP 40-60 | 4 | 4 | 4 | 4 | | | | |
| 27 | Z710708000 | TUERCA PASAMUROS | WALL BUSHING NUT | 2 | 2 | 2 | 2 | | | | |
| 28 | Q307058000 | ARANDELA 60x44x2 | WASHER 60x44x2 | 2 | 2 | 2 | 2 | | | | |
| 29 | Z710903000 | PASAMUROS ASPIRACION | EXTRACTOR BUSHING | 2 | 2 | 2 | 2 | | | | |
| 30 | Z711002000 | SOPORTE MOTOBOMBA POSTER. | REAR MOTOR PUMP SUPPORT | 1 | 1 | 1 | 1 | | | | |
| | | | | | | | | | | | |
| | | | | | | | | | | | |
| | | | | | | | | | | | |
| | | | | | | | | | | | |



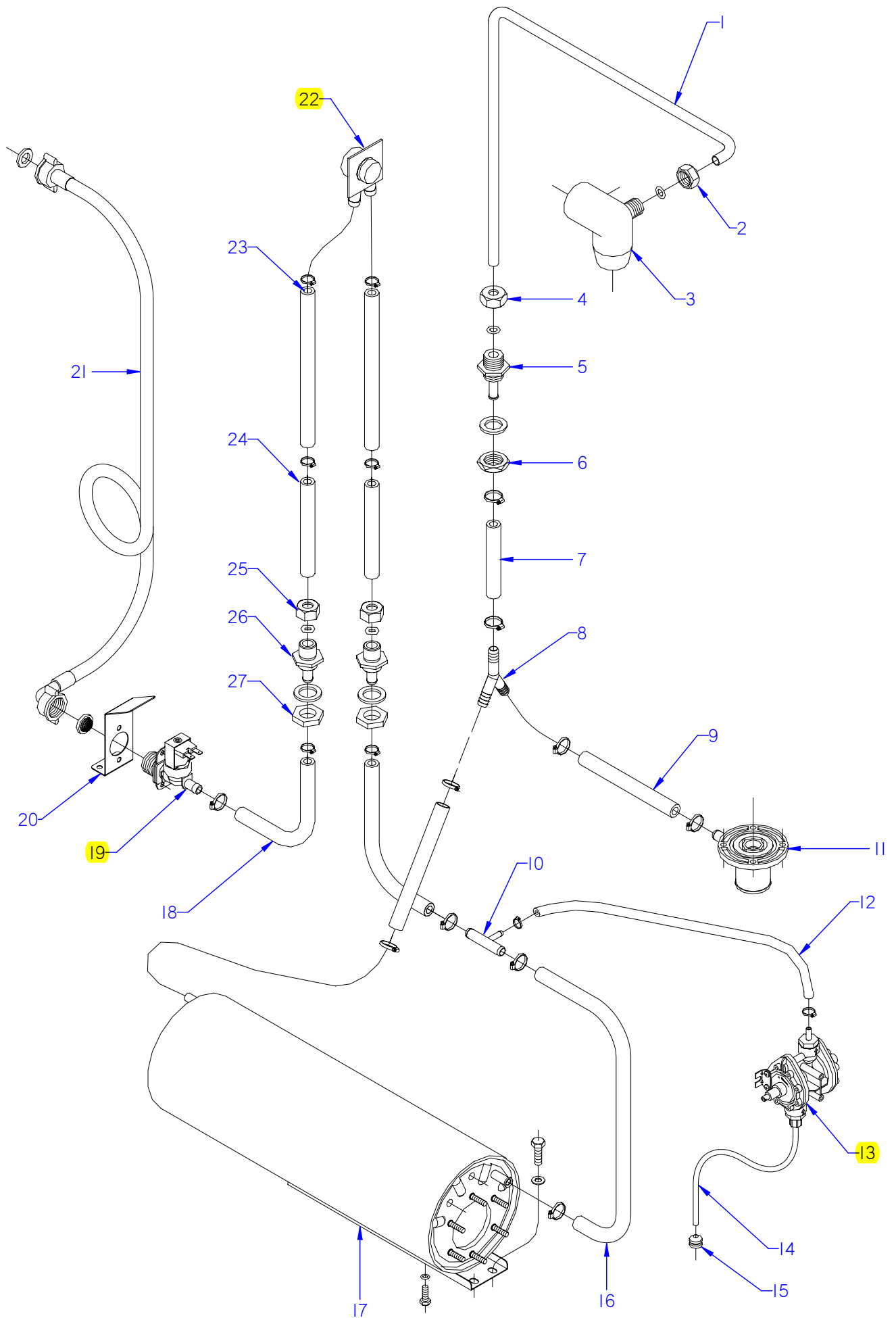
ITEM MARCADO EN COLOR = REPUESTO RECOMENDADO
 COLOURED ITEM = RECOMMENDED SPARE PART

| | | | | | | |
|---------|--------------------|---------|------------------------------|-------------------------|--------|---------------------------------------|
| N plano | Firma | Fecha | Aparato | PARTE FUNCIONAL DESAGUE | Lamina | Fagor Industrial S.Coop. FAGOR |
| C-2488 | <i>[Signature]</i> | 2009-12 | LAVAVAJILLAS AD-120; ADE-120 | | 4 | Oñate |



ITEM MARCADO EN COLOR = REPUESTO RECOMENDADO
 COLOURED ITEM = RECOMMENDED SPARE PART

| | | | | | | |
|---------|--------------------|---------|--------------------------------|-------------------------|--------|---------------------------------------|
| N plano | Firma | Fecha | Aparato | PARTE FUNCIONAL DESAGUE | Lamina | Fagor Industrial S.Coop. FAGOR |
| C-2489 | <i>[Signature]</i> | 2009-12 | LAVAVAJILLAS AD-120B; ADE-120B | | 5 | Oñate |

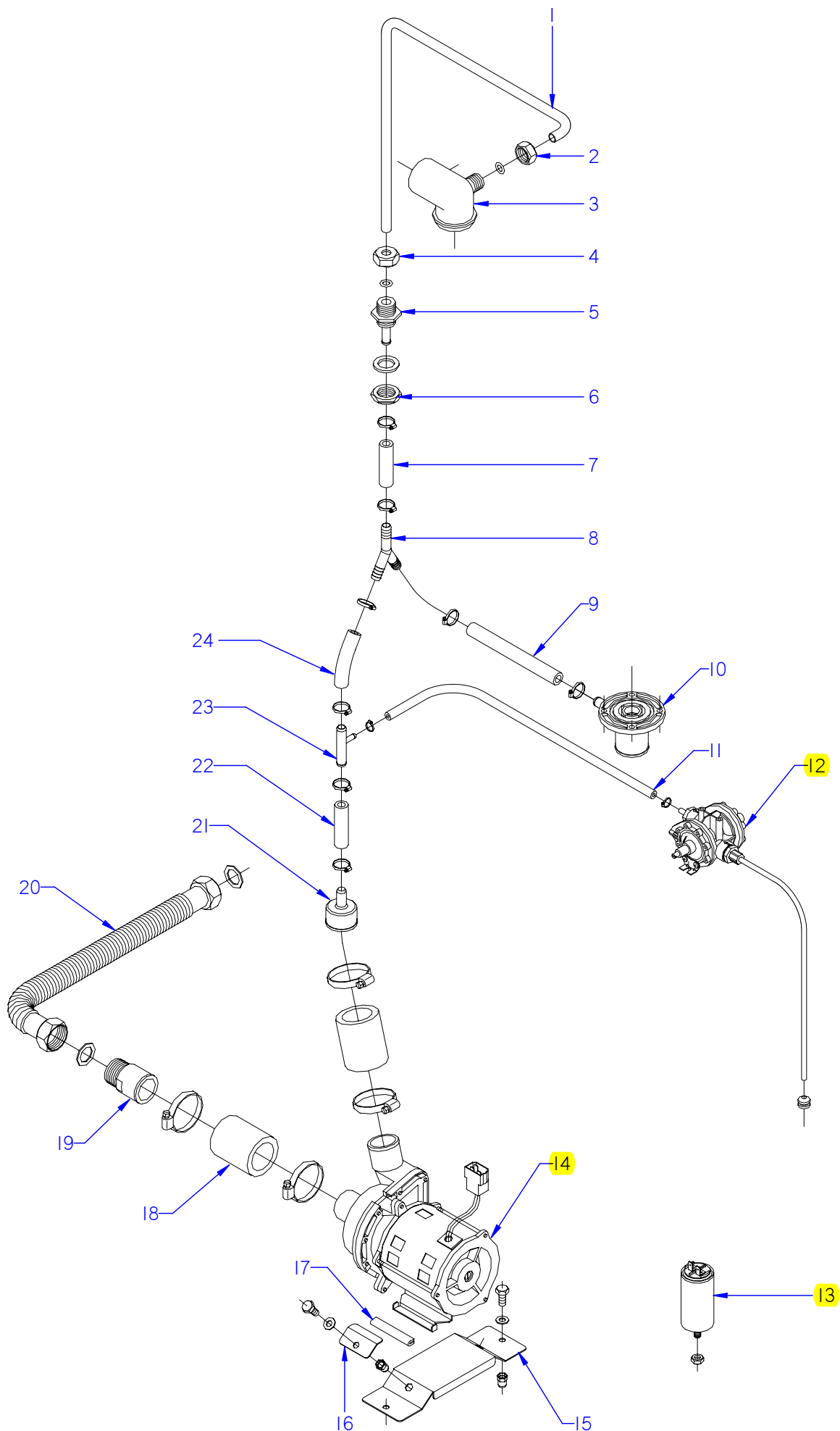


ITEM MARCADO EN COLOR = REPUESTO RECOMENDADO
 COLOURED ITEM = RECOMMENDED SPARE PART

| | | | | | | |
|---------|--------------------|---------|------------------------------|-----------------------------|--------|---------------------------------------|
| N plano | Firma | Fecha | Aparato | CONJUNTO FUNCIONAL ACLARADO | Lamina | Fagor Industrial S.Coop. FAGOR |
| C-2490 | <i>[Signature]</i> | 2009-12 | LAVAVAJILLAS AD-120; AD-120B | | 6 | Oñate |

| MOD. | | LAVAVAJILLAS DE CAPOTA PASS THROUGH DISHWASHER | | ZONA / ZONE | | PARTE FUNCIONAL ACLARADO RINSE FUNCTIONAL PART | | | | PLANO DIAGRAM | | C-2490 | |
|------|------------|---|----------------------------|-------------|---------|---|--|--|--|------------------|--|--------|------------------------|
| ITEM | CODIGO | DENOMINACION | TEXTO | AD-120 | AD-120B | | | | | | | NOTAS | |
| 1 | Z711903000 | CONDUCCION ACLARADO COMP. | COMP. RINSE PIPE | 1 | 1 | | | | | | | | |
| 2 | Q223107000 | TUERCA M.20x2.5 | NUT M.20X2.5 | 1 | 1 | | | | | | | | |
| | Q307048000 | JUNTA TORICA Ø9.12X16.18X3.53 | O-RING Ø9.12X16.18X3.53 | 1 | 1 | | | | | | | | |
| 3 | Z710705000 | SOPORTE DISTRIBUIDOR SUPER. | UPPER DISTRIBUTION SUPPORT | 1 | 1 | | | | | | | | |
| | Q152004000 | TORNILLO APLAST. M5x13 A.304 | MUSHROOM HEAD BOLT M5x13 | 1 | 1 | | | | | | | | |
| | Q242030000 | ARANDELA ABANICO A5 A.304 | FAN WASHER A5 A.304 | 1 | 1 | | | | | | | | |
| 4 | Q223107000 | TUERCA M.20x2.5 | NUT M.20X2.5 | 1 | 1 | | | | | | | | |
| | Q307048000 | JUNTA TORICA Ø9.12X16.18X3.53 | O-RING Ø9.12X16.18X3.53 | 1 | 1 | | | | | | | | |
| 5 | Z711904000 | PASAMUROS ACLARADO | RINSE BUSHING | 1 | 1 | | | | | | | | |
| | Q307032000 | JUNTA Ø 32X21X3 | SEAL Ø 32X21X3 | 1 | 1 | | | | | | | | |
| 6 | Q223023000 | TUERCA EXAGONAL 5-8 LATON | HEX NUT 5-8 BRASS | 1 | 1 | | | | | | | | |
| 7 | 3676900000 | TUBO GOMA NEGRA Ø 17*10 | BLACK RUBBER PIPE 17*10 | 1 | 1 | | | | | | | | |
| | Q881302000 | ABRAZADERA 12-20 | CLAMP 12-20 | 2 | 2 | | | | | | | | |
| 8 | Z201106000 | RACORD EN Y | Y-CONNECTION | 1 | 1 | | | | | | | | |
| 9 | 3676900000 | TUBO GOMA NEGRA Ø 17*10 | BLACK RUBBER PIPE 17*10 | 2 | 2 | | | | | | | | |
| | Q881302000 | ABRAZADERA 12-20 | CLAMP 12-20 | 4 | 4 | | | | | | | | |
| 10 | Z601157000 | TOMA PRESION | PRESSURE INTAKE | 1 | 1 | | | | | | | | |
| 11 | Z710706000 | PASAMUROS | BUSHING | 1 | 1 | | | | | | | | |
| | Q012044000 | TORNILLO EXAGONAL M6x25 | HEXAGONAL BOLT M6x25 | 4 | 4 | | | | | | | | |
| | Q306050000 | ARANDELA 6x12x1.5 | WASHER 6x12x1.5 | 4 | 4 | | | | | | | | |
| | Q232040000 | ARANDELA A6 | WASHER A6 | 4 | 4 | | | | | | | | |
| | Q262040000 | ARANDELA GROW. A6 A.304 | WASHER GROW. A6 A.304 | 4 | 4 | | | | | | | | |
| | Q162040000 | TUERCA EXAGONAL M6 | HEXAGONAL NUT M6 | 4 | 4 | | | | | | | | |
| 12 | 3704000000 | TUBO GOMA NEGRO D 10,5*5 | BLACK RUBBER PIPE Ø 10.5*5 | 1 | 1 | | | | | | | | |
| | Q881308000 | ABRAZADERA 8-14L | CLAMP 8-14L | 2 | 2 | | | | | | | | |
| 13 | Z211109000 | DOSIFICADOR TENSOACTIVO N-6 | SURFACE ACT. DISP. N-6 | 1 | 1 | | | | | | | | ELIMINADO 18.06.2012 |
| 13 | 12045206 | DOSIFICADOR_ABRILLANTADOR_A | RINSE AID DISPENSER | 1 | 1 | | | | | | | | INTRODUCIDO 18.06.2012 |
| | Q012031000 | TORNIL. EXAGONAL M5x10 A.304 | HEXAGONAL BOLT M5X10 A.304 | 4 | 4 | | | | | | | | |
| | Q163020000 | TUERCA EXAGONAL M4 LATON | HEXAGONAL NUT M4 BRASS | 2 | 2 | | | | | | | | |
| 14 | Z448618000 | CONDUCTO ABRILLANTADOR | RINSE AID PIPE | 1 | 1 | | | | | | | | |
| 15 | Z701152000 | PESO FILTRO | FILTER WEIGHT | 1 | 1 | | | | | | | | |

| MOD. | | LAVAVAJILLAS DE CAPOTA PASS THROUGH DISHWASHER | | ZONA / ZONE | PARTE FUNCIONAL ACLARADO RINSE FUNCTIONAL PART | | | | PLANO DIAGRAM | C-2490 |
|------|------------|---|-----------------------------|-------------|---|--|--|--|------------------|----------------------|
| ITEM | CODIGO | DENOMINACION | TEXTO | AD-120 | AD-120B | | | | | NOTAS |
| 16 | 3676900000 | TUBO GOMA NEGRA Ø 17*10 | BLACK RUBBER PIPE 17*10 | 1 | 1 | | | | | |
| | Q881302000 | ABRAZADERA 12-20 | CLAMP 12-20 | 2 | 2 | | | | | |
| 17 | 12022943 | CALDERIN COMPLETO | COMPLETE DRUM | 1 | 1 | | | | | |
| | Q012031000 | TORNIL. EXAGONAL M5x10 A.304 | HEXAGONAL BOLT M5X10 A.304 | 2 | 2 | | | | | |
| | Q232030000 | ARANDELA A5 | WASHER A5 | 2 | 2 | | | | | |
| | Q012063000 | TORNIL. EXAGONAL M10x20 A.304 | HEXAGONAL BOLT M10X20 A.304 | 1 | 1 | | | | | |
| | Q307048000 | JUNTA TORICA Ø9.12X16.18X3.53 | O-RING Ø9.12X16.18X3.53 | 1 | 1 | | | | | |
| 18 | 3676900000 | TUBO GOMA NEGRA Ø 17*10 | BLACK RUBBER PIPE 17*10 | 2 | 2 | | | | | |
| | Q881302000 | ABRAZADERA 12-20 | CLAMP 12-20 | 4 | 4 | | | | | |
| 19 | Z701135000 | ELECTR. SIMP.220V COD.255.208 | SOLENOID VALVE SIMP.220V CO | 1 | 1 | | | | | |
| 20 | Z201101000 | ESCUADRA AMARRE ELECTROVA | SOLENOID VALVE BRACKET | 1 | 1 | | | | | |
| | Q152024000 | TORN. AVELLANADO M4x8 A.304 | HEXAGONAL COUNTERSUNK M4 | 2 | 2 | | | | | |
| | Q242020000 | ARANDELA ABANICO A4 A.304 | FAN WASHER A4 A.304 | 2 | 2 | | | | | |
| | Q012031000 | TORNIL. EXAGONAL M5x10 A.304 | HEXAGONAL BOLT M5X10 A.304 | 2 | 2 | | | | | |
| | Q232030000 | ARANDELA A5 | WASHER A5 | 2 | 2 | | | | | |
| 21 | Z602121000 | MANGUERA ENTRADA AGUA | WATER INTAKE HOSE | 1 | 1 | | | | | |
| 22 | Z231106000 | VALVULA ANTIRRETORNO | NON-RETURN VALVE | 1 | 1 | | | | | |
| | Q881302000 | ABRAZADERA 12/20 | CLAMP 12/20 | 2 | 2 | | | | | |
| S/Nº | Z711113000 | SOPORTE VALVULA A.R. | VALVE SUPPORT A.R. | 1 | 1 | | | | | |
| 23 | 3676900000 | TUBO GOMA NEGRA Ø 17*10 | BLACK RUBBER PIPE 17*10 | 2 | 2 | | | | | |
| | 12041731 | ABRAZADERA INOX 12-22 | CLAMP INOX 12-22 | 4 | 4 | | | | | INTRODUCIDO 01.12.11 |
| 24 | Z711114000 | TUBO EMPALME | CONNECTION PIPE | 2 | 2 | | | | | |
| 25 | Q223107000 | TUERCA M.20x2.5 | NUT M.20X2.5 | 2 | 2 | | | | | |
| | Q307048000 | JUNTA TORICA Ø9.12X16.18X3.53 | O-RING Ø9.12X16.18X3.53 | 2 | 2 | | | | | |
| 26 | Z711904000 | PASAMUROS ACLARADO | RINSE BUSHING | 2 | 2 | | | | | |
| | Q307032000 | JUNTA Ø 32X21X3 | SEAL Ø 32X21X3 | 2 | 2 | | | | | |
| 27 | Q223023000 | TUERCA EXAGONAL 5-8 LATON | HEX NUT 5-8 BRASS | 2 | 2 | | | | | |
| | | | | | | | | | | |
| | | | | | | | | | | |
| | | | | | | | | | | |



ITEM MARCADO EN COLOR = REPUESTO RECOMENDADO
 COLOURED ITEM = RECOMMENDED SPARE PART

| | | | | | | |
|---------|--------------------|---------|---------------------------------|--------------------------|--------|---------------------------------------|
| N plano | Firma | Fecha | Aparato | PARTE FUNCIONAL ACLARADO | Lamina | Fagor Industrial S.Coop. FAGOR |
| C-2491 | <i>[Signature]</i> | 2009-12 | LAVAVAJILLAS ADE-120 / ADE-120B | | 7 | Oñate |

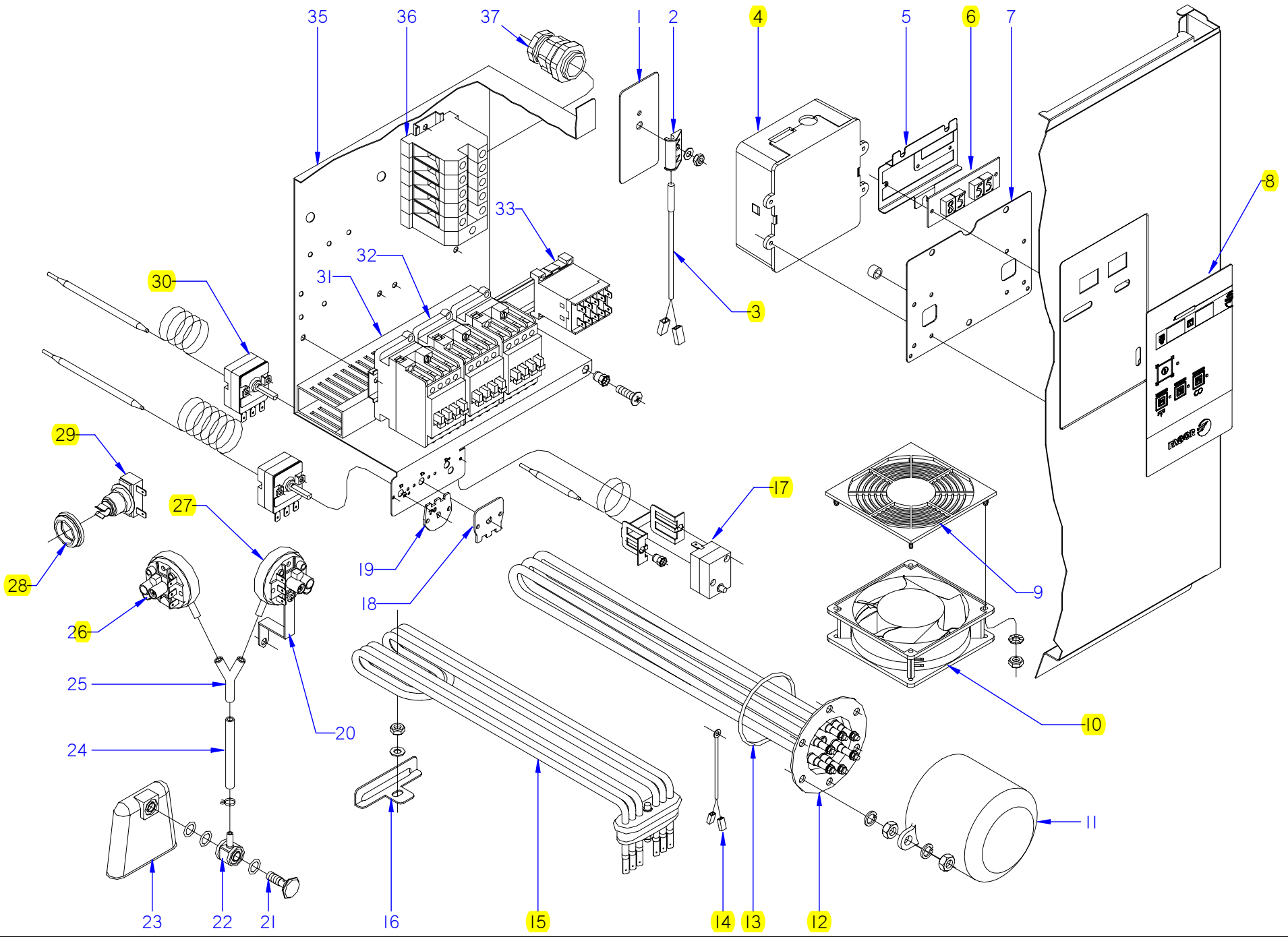
| MOD. | | LAVAVAJILLAS DE CAPOTA PASS THROUGH DISHWASHER | | ZONA / ZONE | | PARTE FUNCIONAL ACLARADO RINSE FUNCTIONAL PART | | | | PLANO DIAGRAM | | C-2491 | |
|------|------------|---|----------------------------|-------------|----------|---|--|--|--|------------------|--|------------------------|--|
| ITEM | CODIGO | DENOMINACION | TEXTO | ADE-120 | ADE-120B | | | | | | | NOTAS | |
| 1 | Z711903000 | CONDUCCION ACLARADO COMP. | COMP. RINSE PIPE | 1 | 1 | | | | | | | | |
| 2 | Q223107000 | TUERCA M.20x2.5 | NUT M.20X2.5 | 1 | 1 | | | | | | | | |
| | Q307048000 | JUNTA TORICA Ø9.12X16.18X3.53 | O-RING Ø9.12X16.18X3.53 | 1 | 1 | | | | | | | | |
| 3 | Z710705000 | SOPORTE DISTRIBUIDOR SUPER. | UPPER DISTRIBUTION SUPPORT | 1 | 1 | | | | | | | | |
| | Q152004000 | TORNILLO APLAST. M5x13 A.304 | MUSHROOM HEAD BOLT M5x13 | 1 | 1 | | | | | | | | |
| | Q242030000 | ARANDELA ABANICO A5 A.304 | FAN WASHER A5 A.304 | 1 | 1 | | | | | | | | |
| 4 | Q223107000 | TUERCA M.20x2.5 | NUT M.20X2.5 | 1 | 1 | | | | | | | | |
| | Q307048000 | JUNTA TORICA Ø9.12X16.18X3.53 | O-RING Ø9.12X16.18X3.53 | 1 | 1 | | | | | | | | |
| 5 | Z711904000 | PASAMUROS ACLARADO | RINSE BUSHING | 1 | 1 | | | | | | | | |
| | Q307032000 | JUNTA Ø 32X21X3 | SEAL Ø 32X21X3 | 1 | 1 | | | | | | | | |
| 6 | Q223023000 | TUERCA EXAGONAL 5-8 LATON | HEX NUT 5-8 BRASS | 1 | 1 | | | | | | | | |
| 7 | 3676900000 | TUBO GOMA NEGRA Ø 17*10 | BLACK RUBBER PIPE 17*10 | 1 | 1 | | | | | | | | |
| | Q881302000 | ABRAZADERA 12-20 | CLAMP 12-20 | 2 | 2 | | | | | | | | |
| 8 | Z201106000 | RACORD EN Y | Y-CONNECTION | 1 | 1 | | | | | | | | |
| 9 | 3676900000 | TUBO GOMA NEGRA Ø 17*10 | BLACK RUBBER PIPE 17*10 | 1 | 1 | | | | | | | | |
| | Q881302000 | ABRAZADERA 12-20 | CLAMP 12-20 | 2 | 2 | | | | | | | | |
| 10 | Z710706000 | PASAMUROS | BUSHING | 1 | 1 | | | | | | | | |
| | Q012044000 | TORNILLO EXAGONAL M6x25 | HEXAGONAL BOLT M6x25 | 4 | 4 | | | | | | | | |
| | Q306050000 | ARANDELA 6x12x1.5 | WASHER 6x12x1.5 | 4 | 4 | | | | | | | | |
| | Q232040000 | ARANDELA A6 | WASHER A6 | 4 | 4 | | | | | | | | |
| | Q262040000 | ARANDELA GROW. A6 A.304 | WASHER GROW. A6 A.304 | 4 | 4 | | | | | | | | |
| | Q162040000 | TUERCA EXAGONAL M6 | HEXAGONAL NUT M6 | 4 | 4 | | | | | | | | |
| 11 | 3704000000 | TUBO GOMA NEGRO Ø 10,5*5 | BLACK RUBBER PIPE Ø 10,5*5 | 1 | 1 | | | | | | | | |
| | Q881308000 | ABRAZADERA 8-14L | CLAMP 8-14L | 2 | 2 | | | | | | | | |
| 12 | Z211109000 | DOSIFICADOR TENSOACTIVO N-6 | SURFACE ACT. DISP. N-6 | 1 | 1 | | | | | | | ELIMINADO 18.06.2012 | |
| 12 | 12045206 | DOSIFICADOR_ABRILLANTADOR_A | RINSE AID DISPENSER | 1 | 1 | | | | | | | INTRODUCIDO 18.06.2012 | |
| | Q232030000 | ARANDELA A5 | WASHER A5 | 2 | 2 | | | | | | | | |
| | Q012031000 | TORNIL. EXAGONAL M5x10 A.304 | HEXAGONAL BOLT M5X10 A.304 | 4 | 4 | | | | | | | | |
| | Q163020000 | TUERCA EXAGONAL M4 LATON | HEXAGONAL NUT M4 BRASS | 2 | 2 | | | | | | | | |
| S/Nº | Z448618000 | CONDUCTO ABRILLANTADOR | RINSE AID PIPE | 1 | 1 | | | | | | | | |
| S/Nº | Z701152000 | PESO FILTRO | FILTER WEIGHT | 1 | 1 | | | | | | | | |

| | | | | | |
|------|---|-------------|---|------------------|--------|
| MOD. | LAVAVAJILLAS DE CAPOTA PASS THROUGH DISHWASHER | ZONA / ZONE | PARTE FUNCIONAL ACLARADO RINSE FUNCTIONAL PART | PLANO DIAGRAM | C-2491 |
|------|---|-------------|---|------------------|--------|

| ITEM | CODIGO | DENOMINACION | TEXTO | ADE-120 | ADE-120B | | | | | | | NOTAS |
|------|------------|------------------------------|--------------------------|---------|----------|--|--|--|--|--|--|-------|
| 13 | V817100000 | CONDENSADOR 6 M,F, | CONDENSER 6 M,F, | 1 | 1 | | | | | | | |
| | Q162050000 | TUERCA EXAGONAL M8x1 INOX, | HEXAGONAL NUT M8x1 INOX. | 1 | 1 | | | | | | | |
| 14 | Z401001000 | BOMBA LAVADO | WASH PUMP | 1 | 1 | | | | | | | |
| 15 | Z701101000 | SOPOR. MOTOBOMBA ACLARADO | SUPPORT FRONT MOTOR-PUMP | 1 | 1 | | | | | | | |
| | Q221343000 | REMACHE EXAGONAL M6 | HEXAGONAL RIVET M6 | 2 | 2 | | | | | | | |
| 16 | Z701103000 | AMARRE MOTOBOMBA | ANCHORAGE MOTOR-PUMP | 2 | 2 | | | | | | | |
| | Q012042000 | TORNILLO EXAGONAL M6x15 | HEXAGONAL BOLT M6x15 | 2 | 2 | | | | | | | |
| | Q232040000 | ARANDELA A6 | WASHER A6 | 2 | 2 | | | | | | | |
| | Q262040000 | ARANDELA GROW. A6 A.304 | WASHER GROW. A6 A.304 | 2 | 2 | | | | | | | |
| | Q012031000 | TORNIL. EXAGONAL M5x10 A.304 | HEXAGONAL BOLT M5X10 | 2 | 2 | | | | | | | |
| | Q232030000 | ARANDELA A5 | WASHER A5 | 2 | 2 | | | | | | | |
| | Q262030000 | ARANDELA GROW. A5 A.304 | WASHER GROW. A5 A.304 | 2 | 2 | | | | | | | |
| 17 | 3701700000 | PERFIL GOMA NEGRO EN U 9*4 | BLACK RUBBER U 9*4 | 2 | 2 | | | | | | | |
| 18 | Z162301000 | CONDUCTO ASPIRAC. IMPULSION | EXTRACTOR IMPULSE PIPE | 2 | 2 | | | | | | | |
| | Q881307000 | ABRAZADERA 40*60 | CLAMP 40*60 | 4 | 4 | | | | | | | |
| 19 | Z701102000 | MANGUITO | HANDLE | 1 | 1 | | | | | | | |
| 20 | Z951101000 | TUBO CORRUGADO | PIPE | 1 | 1 | | | | | | | |
| | Q306038000 | ARANDELA JUNTA 31X21X1.5 | WASHER 31X21X1.5 | 2 | 2 | | | | | | | |
| 21 | Z701104000 | REDUCCION | REDUCTION | 1 | 1 | | | | | | | |
| 22 | 3676900000 | TUBO GOMA NEGRA 17*10 | BLACK RUBBER PIPE 17*10 | 1 | 1 | | | | | | | |
| | Q881302000 | ABRAZADERA 12*20 | CLAMP 12-20 | 2 | 2 | | | | | | | |
| 23 | Z601157000 | TOMA PRESION | PRESSURE INTAKE | 1 | 1 | | | | | | | |
| 24 | 3676900000 | TUBO GOMA NEGRA 17*10 | BLACK RUBBER PIPE 17*10 | 1 | 1 | | | | | | | |
| | Q881302000 | ABRAZADERA 12*20 | CLAMP 12-20 | 2 | 2 | | | | | | | |
| | | | | | | | | | | | | |
| | | | | | | | | | | | | |
| | | | | | | | | | | | | |
| | | | | | | | | | | | | |
| | | | | | | | | | | | | |
| | | | | | | | | | | | | |

N plano
C-2492
 Firma
 Fecha
2009-12
 Aparato
LAVAVAJILLAS AD-120 / ADE-120
 CONSULTA FUNCIONAL ELECTRICO
 Laminia
8
 Fagor Industrial S. Coop. **FAGOR**
 Omate

**ITEM MARCADO EN COLOR = REPUESTO RECOMENDADO
 COLOURED ITEM = RECOMMENDED SPARE PART**

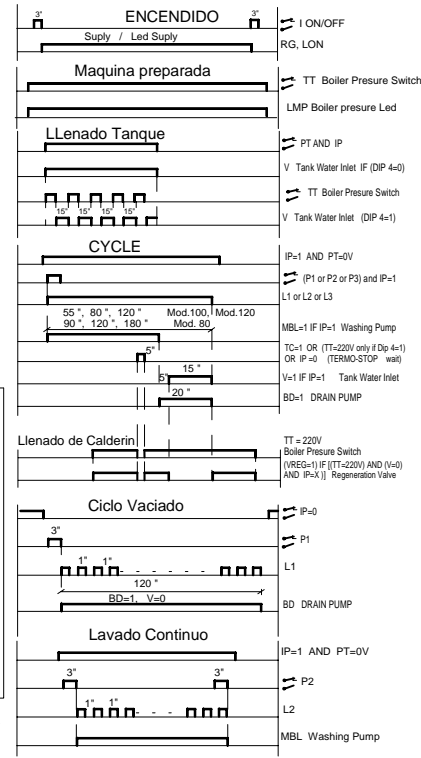
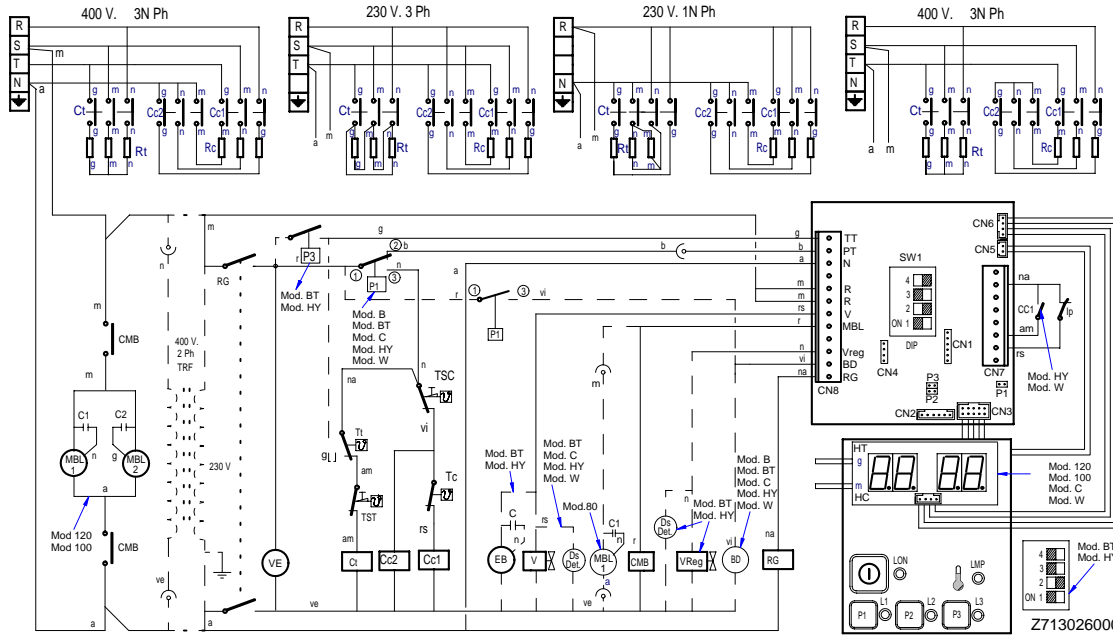


| MOD. | | LAVAVAJILLAS DE CAPOTA PASS THROUGH DISHWASHER | | ZONA / ZONE | PARTE FUNCIONAL ELECTRICA ELECTRICS FUNCTIONAL PART | | | | PLANO DIAGRAM | C-2492 |
|------|------------|---|----------------------------|-------------|--|---------|----------|--|------------------|----------------------|
| ITEM | CODIGO | DENOMINACION | TEXTO | AD-120 | AD-120B | ADE-120 | ADE-120B | | | NOTAS |
| 1 | Z101211000 | APOYO INTERRUPTOR | SWITCH SUPPORT | 1 | 1 | 1 | 1 | | | |
| 2 | Z203010000 | AMARRE INTERRUPTOR MAGNET. | MAGNETIC SWITCH FASTENER | 1 | 1 | 1 | 1 | | | |
| | Q232040000 | ARANDELA A-6 | WASHER A-6 | 1 | 1 | 1 | 1 | | | |
| | Q162040000 | TUERCA EXAGONAL M-6 | HEXAGONAL NUT M-6 | 1 | 1 | 1 | 1 | | | |
| 3 | Z203009000 | INTERRUPTOR MAGNETICO | MAGNETIC SWITCH | 1 | 1 | 1 | 1 | | | |
| 4 | Z213069000 | TARJETA 5 RELES | 5 RELAY CARD | 1 | 1 | 1 | 1 | | | ELIMINADO 01.06.11 |
| 4 | Z213073000 | TARJETA 5 RELES | 5 RELAY CARD | 1 | 1 | 1 | 1 | | | INTRODUCIDO 01.06.11 |
| | Q232020000 | ARANDELA A4 | WASHER A4 | 4 | 4 | 4 | 4 | | | |
| | Q242020000 | ARANDELA ABANICO A5 A.304 | FAN WASHER A5 A.304 | 4 | 4 | 4 | 4 | | | |
| | Q042022000 | TORN. AVELLANADO M4X15 | HEXAGONAL COUNTERSUNK M4 | 4 | 4 | 4 | 4 | | | |
| | Z515045000 | CASQUILLO SEPARADOR B | SEPARATOR BUSHING B | 4 | 4 | 4 | 4 | | | |
| 5 | Z713023000 | SOPORTE DISPLAY CAPOTA | HOOD DISPLAY SUPPORT | 1 | 1 | 1 | 1 | | | |
| | R663036000 | FIJACION CIRCUITO | CIRCUIT ATTACHMENT | 3 | 3 | 3 | 3 | | | ELIMINADO 29.10.10 |
| | T133007000 | DISTANCIADOR M3 | SPACER M3 | 3 | 3 | 3 | 3 | | | INTRODUCIDO 29.10.10 |
| 6 | Z713017000 | DISPLAY GICAR TEMPERATURAS | GICAR TEMPERATURE DISPLAY | 1 | 1 | 1 | 1 | | | |
| 7 | Z713027000 | SOPORTE PROGRAMADOR RELÉ | RELAY PROGRAMMER SUPPORT | 1 | 1 | 1 | 1 | | | |
| 8 | Z712935000 | EMBELLEC. ADHESIVO AD-120 | ADHESIVE TRIM AD-120. | 1 | - | - | - | | | |
| 8 | Z712936000 | EMBELLEC. ADHESIVO AD-120B | ADHESIVE TRIM AD-120B. | - | 1 | - | - | | | |
| 8 | Z732905000 | EMBELLEC. ADHESIVO ADE-120 | ADHESIVE TRIM ADE-120. | - | - | 1 | - | | | |
| 8 | Z732906000 | EMBELLEC. ADHESIVO ADE-120B | ADHESIVE TRIM ADE-120B. | - | - | - | 1 | | | |
| 9 | Z713015000 | PROTECCION VENTILADOR ABS | FAN PROTECTION ABS | 1 | 1 | 1 | 1 | | | |
| | Q042022000 | TORNILLO AVELLANADO M4x15 | COUNTERSUNK BOLT M4x15 | 8 | 8 | 8 | 8 | | | |
| | Q162020000 | TUERCA EXAGONAL M4 | HEXAGONAL NUT M4 | 12 | 12 | 12 | 12 | | | |
| | Q242020000 | ARANDELA ABANICO A-4 A304 | FAN WASHER A-4 A304 | 8 | 8 | 8 | 8 | | | |
| 10 | Z103066000 | VENTILADOR 230V,50/60 HZ | FAN 230V,50/60 HZ | 1 | 1 | - | - | | | |
| 11 | Z651731000 | CAPERUZA RESISTEN. CALDERIN | DRUM RESIST. CAP | 1 | 1 | - | - | | | |
| | Q163140000 | TUERCA EXAGONAL M6 LATON | HEXAGONAL NUT M6 BRASS | 2 | 2 | - | - | | | |
| | Q012031000 | TORNIL. EXAGONAL M5x10 A.304 | HEXAGONAL BOLT M5X10 A.304 | 2 | 2 | - | - | | | |
| | Q232030000 | ARANDELA A-5 | WASHER A-5 | 2 | 2 | - | - | | | |
| | | | | | | | | | | |
| | | | | | | | | | | |

| MOD. | | LAVAVAJILLAS DE CAPOTA PASS THROUGH DISHWASHER | | ZONA / ZONE | PARTE FUNCIONAL ELECTRICA ELECTRICS FUNCTIONAL PART | | | | PLANO DIAGRAM | C-2492 |
|------|------------|---|------------------------------|-------------|--|---------|----------|--|------------------|------------------------|
| ITEM | CODIGO | DENOMINACION | TEXTO | AD-120 | AD-120B | ADE-120 | ADE-120B | | | NOTAS |
| 12 | Z728306000 | RESISTENCIA CALDERIN 12 KW | DRUM RESISTOR 12 KW | 1 | 1 | | | | | |
| | Q221305000 | TUERCA EX. AUTO. M4 ZINCADA | HEX NUT , AUTO. M4 ZINC-COAT | 6 | 6 | | | | | |
| | Q163140000 | TUERCA EXAGONAL M6 LATON | HEXAGONAL NUT M6 BRASS | 6 | 6 | | | | | |
| 13 | Q307035000 | JUNTA TORICA AN-36 282333 | O-RING AN-36 282333 | 1 | 1 | | | | | |
| 14 | Z713028000 | SONDAS TEMPERATURA GICAR | GICAR TEMPERATURE GAUGE | 1 | 1 | | | | | |
| 15 | Z743601000 | RESISTENCIA TANQUE | TANK RESISTOR | 1 | 1 | 1 | 1 | | | |
| 16 | Z743602000 | SOPORTE RESISTENCIA TANQUE | TANK RESISTOR SUPPORT | 1 | 1 | 1 | 1 | | | |
| | Q232040000 | ARANDELA A,6 | WASHER A,6 | 1 | 1 | 1 | 1 | | | |
| | Q162040000 | TUERCA EXAGONAL M6 | HEXAGONAL NUT M6 | 1 | 1 | 1 | 1 | | | |
| 17 | Z213014000 | LIMITADOR TECASA P. | LIMITER TECASA P. | 1 | 1 | | | | | |
| S/Nº | Z203060000 | AMARRE LIMITADOR TECASA | LIMITER FASTENING TECASA | 1 | 1 | | | | | |
| | Q221341000 | REMACHE EXAGONAL M4 | HEXAGONAL RIVET M4 | 2 | 2 | | | | | |
| | Q152024000 | TORNILLO AVELLANADO M4x8 | COUNTERSUNK BOLT M4x8 | 2 | 2 | | | | | |
| 18 | Z713038000 | REGU. TERMOS. TANQUE 60 °C | TANK THERMOSTAT CONTROL 60 | 1 | 1 | 1 | 1 | | | ELIMINADO 30.11.2012 |
| 18 | 12044848 | REGULADOR A 60°C Tc DE 85°C | REGULATOR 60°C Tc DE 85°C | 1 | 1 | 1 | 1 | | | INTRODUCIDO 30.11.2012 |
| 19 | Z718446000 | CHAPA W 85°C | PLATE W 85°C | 1 | 1 | 1 | 1 | | | ELIMINADO 31.10.2012 |
| 20 | Z602923000 | SOPORTE PRESOSTATO | PRESSURE SWITCH SUPPORT | 1 | 1 | 1 | 1 | | | |
| | Q082032000 | TORNILLO ALOMADO BZ-3,5x9,5 | CURVED SCREW BZ-3.5x9.5 | 1 | 1 | 1 | 1 | | | |
| | Q162040000 | TUERCA EXAGONAL M6 | HEXAGONAL NUT M6 | 1 | 1 | 1 | 1 | | | |
| | Q232040000 | ARANDELA A6 | WASHER A6 | 1 | 1 | 1 | 1 | | | |
| 21 | Z203013000 | TORNILLO PRESOSTATO | PRESSURE SWITCH BOLT | 1 | 1 | 1 | 1 | | | |
| 22 | Z203012000 | EMPALME PRESOSTATO | PRESSURE SWITCH CONNEX | 1 | 1 | 1 | 1 | | | |
| | Q307003000 | JUNTA TOR.16,01x10,77x2,62 | O-RING 16.01x10.77x2.62 | 3 | 3 | 3 | 3 | | | |
| 23 | Z203011000 | CAMARA PRESOSTATO | PRESSURE SWITCH | 1 | 1 | 1 | 1 | | | |
| 24 | 3702400000 | TUBO DE GOMA 8x4 D8*4 | RUBBER PIPE 8x4 D8*4 | 1 | 1 | 1 | 1 | | | |
| | P102154000 | BRIDA ELASTICA TUBO | ELASTIC PIPE FLANGE | 2 | 2 | 2 | 2 | | | |
| 25 | Z103077000 | RACORD EN Y | Y-CONNECTION | | 1 | | 1 | | | |
| 26 | Z713098000 | PRESOTATO SEGURIDAD | SAFETY PRESSOSTAT | | 1 | | 1 | | | |
| 27 | Z713002000 | PRESOTATO SIMPLE | SIMPLE PRESSURE SWITCH | 1 | 1 | 1 | 1 | | | |
| 28 | N503017000 | SOPORTE TERMOSTATO 1001713 | THERMOSTAT SUPPORT 1001713 | 2 | 2 | 2 | 2 | | | |
| S/Nº | P443060000 | TAPON | COVER | 1 | 1 | 1 | 1 | | | |

| MOD. | | LAVAVAJILLAS DE CAPOTA PASS THROUGH DISHWASHER | | ZONA / ZONE | | PARTE FUNCIONAL ELECTRICA ELECTRICS FUNCTIONAL PART | | | | PLANO DIAGRAM | | C-2492 | |
|------|------------|---|-------------------------------|-------------|---------|--|----------|--|--|------------------|--|------------------------|--|
| ITEM | CODIGO | DENOMINACION | TEXTO | AD-120 | AD-120B | ADE-120 | ADE-120B | | | | | NOTAS | |
| 29 | R213004000 | TERMOSTATO REARME MANUAL | MANUAL RESET THERMOSTAT | 1 | 1 | 1 | 1 | | | | | ELIMINADO 11.02.2013 | |
| 29 | 12046165 | TERMOSTATO SEGURIDAD 115°C | SECURITY THERMOSTAT 115°C | 1 | 1 | 1 | 1 | | | | | INTRODUCIDO 11.02.2013 | |
| 30 | Z203014000 | TERMOSTATO CALDERIN | WASH DRUM THERMOSTAT | 2 | 2 | 1 | 1 | | | | | ELIMINADO 01.11.2012 | |
| 30 | 12040858 | TERMOSTATO CALDERIN | WASH DRUM THERMOSTAT | 2 | 2 | 1 | 1 | | | | | INTRODUCIDO 01.11.2012 | |
| | Q152024000 | TORNILLO AVELLANADO M4x8 | COUNTERSUNK BOLT M4x8 | 2 | 2 | 1 | 1 | | | | | | |
| 31 | 3715520000 | CANALETA UNEX 60,30,77 | PIPING UNEX 60.30.77 | 3 | 3 | 3 | 3 | | | | | | |
| | Q419005000 | REMACHE 4x8 ALMG3 / ALUMINIO | RIVET 4X8 ALMG3 / ALUMINIUM | 4 | 4 | 4 | 4 | | | | | | |
| | Q232040000 | ARANDELA A6 | WASHER A6 | 2 | 2 | 2 | 2 | | | | | | |
| | Q162040000 | TUERCA EXAGONAL M6 | HEXAGONAL NUT M6 | 2 | 2 | 2 | 2 | | | | | | |
| | Q152004000 | TORNILL, APLASTADO M5x13 A304 | FLAT HEADED BOLT M5x13 A304 | 1 | 1 | 1 | 1 | | | | | | |
| | Z713035000 | REGLETA 6 mm. | STRIP 6 mm. | 1 | 1 | 1 | 1 | | | | | | |
| | Z103064000 | BASE UNEX 1252 | BASE UNEX 1252 | 2 | 2 | 2 | 2 | | | | | | |
| S/Nº | Z403016000 | GUIA CONTACTOR L-100 | CONTACTOR GUIDE L-100 | 1 | 1 | 1 | 1 | | | | | | |
| | R663055000 | GUIA CONTACTOR L-120 | CONTACTOR GUIDE L-120 | 1 | 1 | 1 | 1 | | | | | | |
| 32 | Z203050000 | CONTAC. SIRIUS 3R 230V.50-60 | CONTACT. SIRIUS 3R 230V.50-60 | 3 | 3 | 1 | 1 | | | | | | |
| 33 | Z213007000 | CONTACTOR 230 V. 50-60 HZ | CONTACTOR 230 V. 50-60 HZ | 1 | 1 | 1 | 1 | | | | | | |
| 34 | Z203062000 | RELE 230V. 16A-60 HZ | RELAY 230V. 16A-60 HZ | 1 | 1 | 1 | 1 | | | | | | |
| | Z103083000 | GUIA CONTACTOR L-73 | CONTACTOR GUIDE L-73 | 1 | 1 | 1 | 1 | | | | | | |
| 35 | Z713037000 | CAJA CUADRO ELECTRICO | SWITCHBOARD BOX | 1 | 1 | 1 | 1 | | | | | | |
| 36 | Z683069000 | BORNA 16 | TERMINAL 16 | 3 | 3 | | | | | | | | |
| 36 | Z683069000 | BORNA 16 | TERMINAL 16 | | | 3 | 3 | | | | | INTRODUCIDO 06.12.10 | |
| | Z683097000 | BORNA PASO WDU16 10204,8 | STEP TERMINAL WDU16 10204.8 | 1 | 1 | | | | | | | | |
| | Z683097000 | BORNA PASO WDU16 10204,8 | STEP TERMINAL WDU16 10204.8 | | | 1 | 1 | | | | | INTRODUCIDO 06.12.10 | |
| | Z683070000 | BORNA A TIERRA WEIDMULLER | TERMINAL TO EARTH WEIDMULL | 1 | 1 | | | | | | | | |
| | Z683070000 | BORNA A TIERRA WEIDMULLER | TERMINAL TO EARTH WEIDMULL | | | 1 | 1 | | | | | INTRODUCIDO 06.12.10 | |
| | Z683068000 | SEÑALIZ.DEK-6WEIDMULLER | SIGNS DEK-6WEIDMULLER | 1 | 1 | | | | | | | | |
| | Z683096000 | TOPE FINAL WEW35 10590.0 | END STOP WEW35 10590.0 | 1 | 1 | | | | | | | ELIMINADO 06.12.10 | |
| | R073005000 | BORNAS PORTA FUSIBLES | FUSE HOLDER TERMINALS | 2 | 2 | 2 | 2 | | | | | INTRODUCIDO 06.12.10 | |
| | 12040923 | BORNAS PORTA FUSIBLES 13A 4 | FUSE HOLDER TERMINALS 13A | 2 | 2 | 2 | 2 | | | | | INTRODUCIDO 09.07.2012 | |
| | 12040926 | FUSIBLE 0,50A Ø5MM 20X5 UL | FUSE 0.50A UL 20X5 Ø5MM | 4 | 4 | 4 | 4 | | | | | INTRODUCIDO 09.07.2012 | |
| | Z103083000 | GUIA CONTACTOR L-73 | CONTACTOR GUIDE L-73 | 1 | 1 | | | | | | | | |

AD 120, AD 120 B, AD 120 B BT, AD 120 C, AD 120 HY, AD 120 W,
 AD 100, AD 100 B, AD 100 B BT, AD 100 C, AD 100 HY, AD 100 W,
 AD 90, AD 90 B, AD 90 B BT, AD 90 C, AD 90 HY, AD 90 W,



| FAGOR ELECTRONICO MODELO ADVANCE | DIP1 | DIP2 | DIP3 | DIP4 | TIEMPOS CICLOS (sg.) |
|--|------|------|------|------|-----------------------------|
| AD-90 , AD-90 DD, AD-90 B BT | ON | OFF | OFF | OFF | P1=75 / P2= 120 / P3=180 |
| AD-90 W | ON | OFF | OFF | ON | |
| AD-120, AD-120 B, AD-120 B BT, ADE-120, ADE-120 B. | ON | OFF | ON | OFF | P1=55 / P2= 80 / P3=120 - ∞ |
| AD-120 W, AD-120 HY , AD- 120 C | ON | OFF | ON | ON | |

- DIP1 = ON, al cerrar la puerta o bajar capó el lavavajillas se pone en marcha.
 DIP1 = OFF, al cerrar la puerta o bajar el capó el lavavajillas sigue lavando **SÓLO SI EL CICLO NO HA ACABADO.**
- DIP2 = ON, Para los modelos que llevan **DESCALCIFICADOR**, versiones "D".
 DIP2 = OFF, para los modelos con **BOMBA DESAGÜE**, versiones "B".
- DIP1 + DIP3 , con las diferentes combinaciones posibles configuramos los tiempos de ciclo.
- DIP4 = ON, **TERMOSTOP ACTIVADO**, para los modelos con termo stop, versiones "C", "W" y "HY".
 DIP4 = OFF, **TERMOSTOP DESACTIVADO**, para los modelos que **NO** llevan **TERMOSTOP**.

| Esquema teorico AD 120 | | - | - | Z713026000 | - | |
|------------------------|-------------------------|-------|------------------------------|-------------------|---|----------------|
| Zk./Nº | Proiza | Cant. | Materiala/Material | Klas. zk/Nº Clas. | Gainazal akabera/Tratamiento | |
| Zk./Nº | Aidaketa/Modificaciones | | Nork proposatua/Propuesta de | Data/Fecha | Perdoi orokorrak Tolerancias generales | |
| | | | | | < 5 ± 0.2 | 50 ÷ 100 ± 0.8 |
| | | | | | 5 ÷ 25 ± 0.4 | >100 ± 1 |
| | | | | | 25 ÷ 50 ± 0.6 | α ± 1 |

| | | | | |
|------------------------|----------------------|--|---|----------------------------------|
| Sinadura/Firma | Data/Fecha | Fagor Industrial, Koop. Elk. Mugatua | Gainazal perdoia Mecanizado superficial | |
| Marraztua/Dibujado | M. Maillo 30-05-2009 | | <h2 style="text-align: center;">LAVAVAJILLAS</h2> | Plano Zk./Plano Nº HC - 18188 |
| Proiektatua/Proyektado | M. Maillo 30-05-2009 | | | Zk. ord. du |
| Egiaztatua/Comprobado | Z. Alube 30-05-2009 | | | Zk. gaitik ord. |
| Eskala/Escala | | | | |

Plano hau ezin daiteke erabili, ez berritzatu, gure baimenik gabe.

LEYENDA CAPOTA

| | ESPAÑOL | FRANÇAIS | ENGLISH | DEUTSCH | ITALIANO |
|------------|-----------------------------------|---------------------------------|------------------------------|---|---|
| Ⓐ Ⓑ | Puntos de conexión con R | Points de conexión R | Connection point with R | Anschlußpunkte mit R | Punti di collegamento con R |
| BD | Bomba desagüe | Pompe de vidange | Drain pump | Abfließpumpe | Pompa scarico |
| C 1/2/3 | Condensador | Condensateur | Condenser | Kondensator | Condensatore |
| CMB | Contactora bomba lavado | Contacteur pompe lavage | Wash pump contactor | Kontaktschütz Waschpumpe | Contattore pompa lavaggio |
| Cc 1/2 | Contactora calentamiento calderin | Contacteur chauff. surchauffeur | Boiler heating contactor | Kontaktschütz Boilerheizung | Contattore riscaldamento boiler |
| Ct | Contactora calentamiento tanque | Contacteur chauffage cuve | Tank heating contactor | Kontaktschütz Heizung Tank | Contattore riscaldamento serbatoio |
| CP | Rele puerta | Relais porte | Door relay | Türrelais | Rele porta |
| Ds.Det. | Dosificador detergente | Dosueur de detergent | Detergent doser | Dosierer Spülmittel | Dosatore detersivo |
| E.B | Electrobomba de presión | Electropompe de pression | Electric pressure pump | Elektro-Drucksteigerungspumpe | Electropompa pressione |
| IG | Interruptor general | Interrupteur general | Main switch | Hauptschalter | Interruttore generale |
| IP | Micro puerta | Micro porte | Door microswitch | Mikroschalter Tür | Micro porta |
| L1 | Piloto de encendido | Voyant fonctionnement | Operation light | Betriebsanzeigelampe | Spia accensione |
| L2 | Piloto marcha | Voyant démarrage | Start light | Startanzeigelampe | Spia avvio |
| L3 | Piloto máquina preparada | Voyant machine prêt | Light machine ready | Betriebsbereitschaftsanzeigelampe | Pilota macchina preparata |
| MBL 1/2 | Bomba lavado | Pompe lavage | Wash pump | Waschpumpe | Pompa lavaggio |
| M | Motor programador | Moteur du programmateur | Motor programmer | Motor Programmiervorrichtung | Motore programmatore |
| M Av. R | Motor program. avance rápido | Moteur du progr.avance rapide | Motor program. rapid advance | Motor Programmiervorrich. schneller Vorlauf | Motore programmatore avanzamento rapido |
| M1 | Micro programador marcha | Micro du programm. de marche | Micro programmer on | Motor Programmiervorrich. Betrieb | Micro programma. di funzionamento |
| M2 | Micro programador lavado | Micro du programm. de lavage | Micro programmer wash | Motor Programmiervorrich. Waschen | Micro programmatore di lavaggio |
| M3 | Micro programador aclarado | Micro du programm. de rinçage | Micro programmer on | Motor Programmiervorrich. Spülen | Micro programmatore di risciacquo |
| M4 | Micro programador Termo-stop | Micro du programm. Thermo-stop | Micro programmer Thermo-stop | Motor Programmiervorrich. Thermo-Stop | Micro programmatore Termo-stop |
| M5 | Micro programador avance | Micro du programm. avance | Micro programmer advance | Motor Programmiervorrich. Vorlauf | Micro programmatore avanzamento |
| M6 | Micro programador avance | Micro du programm. avance | Micro programmer advance | Motor Programmiervorrich. Vorlauf | Micro programmatore avanzamento |
| P, P1, P5 | Presostato | Pressostat | Pressure switch | Druckwächter | Pressostato |
| P2, P3, P4 | Presostato limitador | Pressostat de sécurité | Hi-limit pressure switch | Begrenzer Druckwächter | Pressostato limitatore |
| R | Rele de Generador de A.C. | Relais du Générateur | Generator rele | Relais Generator | Rele Generatore |
| Ⓡ Ⓝ | Toma de alimentac. Generador A.C. | Alimentation generateur | Water heater feeding | Stromversorgungsanschluß Gener. | Alimentazione generatore |
| RC | Resistencia calderin | Resistance surchauffeur | Boiler heating element | Heizwiderstand Boiler | Resistenza boiler |
| RT | Resistencia tanque | Resistance cuve | Tank heater | Heizwiderstand Tank | Resistenza serbatoio |
| Tt | Termostato tanque | Thermostat de cuve | Tank thermostat | Thermostat Tank | Termostato serbatoio |
| TC | Termostato calderin | Thermostat surchauffeur | Boiler thermostat | Thermostat kessel | Termostato boiler |
| Tst | Limitador tanque | Limiteur de cuve | Tank limiter | Begrenzer Tank | Limitatore serbatoio |
| TSC | Limitador calderin | Limiteur surchauffeur | Boiler Hi-limit | Begrenzer Boiler | Limitatore boiler |
| TSTP | Termostato termo-stop | Thermostat Thermo-stop | Thermo-stop Thermostat | Thermostat Thermo-stop | Termostato Thermo-stop |
| V | Electrovalvula llenado y aclarado | Electrovan. remplissage rinçage | Fill and rinse valve | Elektroventil Füllen und Spülen | Elettroval. riempimento e risciacquo |
| VE | Ventilador cuadro eléctrico | Ventilateur tableau électrique | Switchboard fan | Schalttafelventilator | Ventilatore quadro elettrico |
| COLOR | COLORES | COULEURS | COLOUR | FARBEN | COLORE |
| a = | Azul | Bleu | Blue | Blau | Blu |
| am = | Amarillo | Jaune | Yellow | Gelb | Giallo |
| am/ve = | Amarillo/verde | Jaune / vert | Yellow / green | Gelb/grün | Giallo/verde |
| b = | Blanco | Blanc | White | Weiß | Bianco |
| g = | Gris | Gris | Grey | Grau | Grigio |
| m = | Marrón | Marron | Brown | Braun | Marrone |
| n = | Negro | Noir | Black | Schwarz | Nero |
| na = | Naranja | Orange | Orange | Orange | Arancio |
| r = | Rojo | Rouge | Red | Rot | Rosso |
| rs = | Rosa | Rose | Pink | Rosa | Roseo |
| ve = | Verde | Vert | Green | Grün | Verde |
| vi = | Violeta | Violet | Purple | Violett | Viola |

Z-713036