

## DESPIECE TÉCNICO TECHNICAL PARTS

Lavavajillas  
Dishwasher

### MODELOS

CO-350 / DD / B / B DD / COLD / COLD B / COLD DD / COLD B DD  
CO-400 / COLD / COLD DD / COLD B / COLD B DD / SOFT

**Diciembre 2014 December**  
Revisado Mayo 2015 May Revised



C-3321

N plano / Drawing N.

Iban R

Firma /  
Signature

2014-11

Fecha / Date

LAVAVASOS CO-350-400 GLASSWASHER

Aparato / Appliance

ARMAZON / FRAME

ARMAZON / FRAME

1

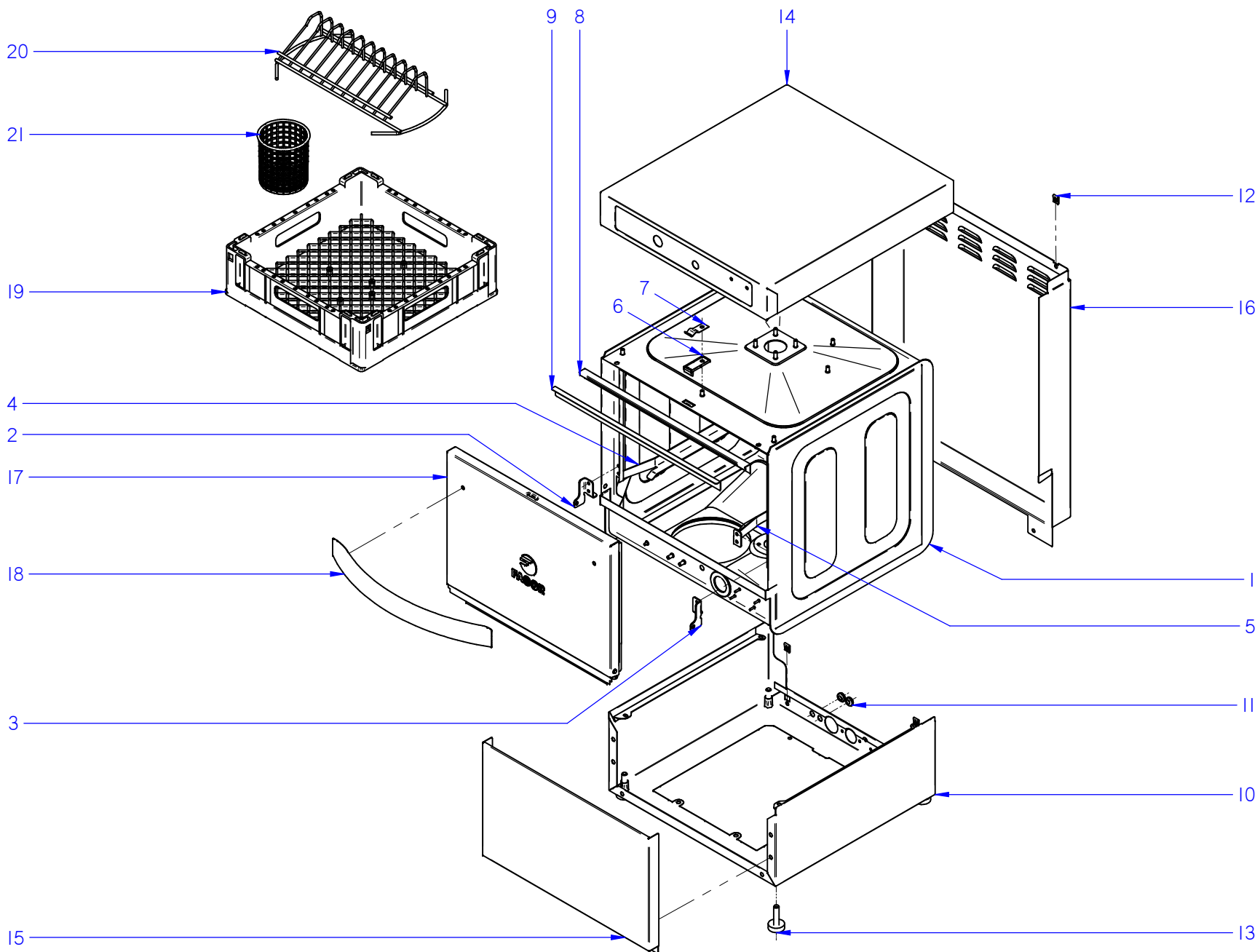
Lamina / Sheet

Opote

Fagor Industrial S. Coop.



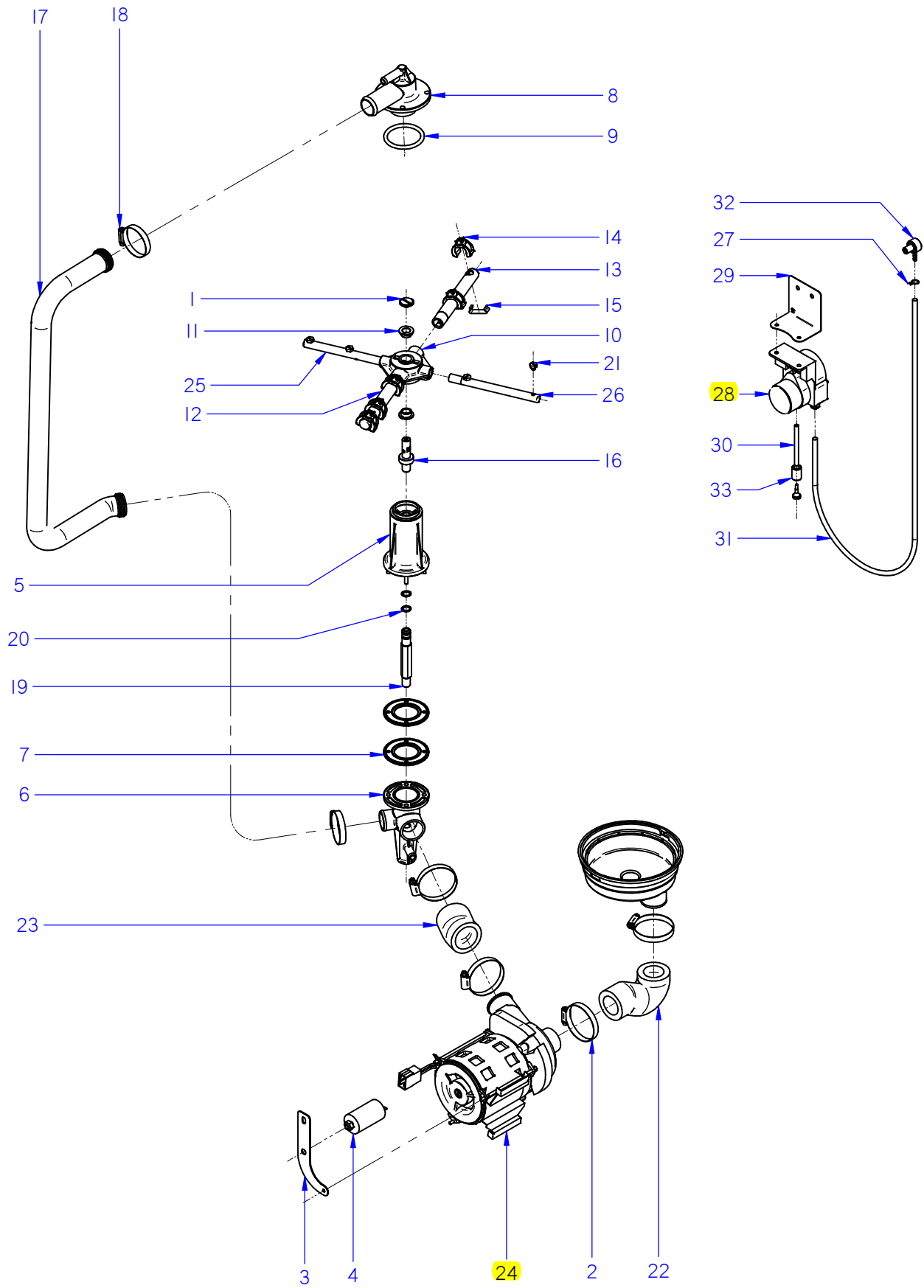
ITEM MARCADO EN COLOR = REPUESTO RECOMENDADO  
COLOURED ITEM = RECOMMENDED SPARE PART



ZONA / ZONE	ARMAZON / FRAME	LÁMINA / DRAWING	C-3321	FAGOR 
-------------	-----------------	------------------	--------	---

ITEM	REFERENCIA REFERENCE	DENOMINACIÓN	DENOMINATION	CO-350	CO-400	CO-400 SOFT						RECOMMENDED	ELIMINADO ELIMINATED	INTRODUCIDO INTRODUCED	NOTAS / NOTES
1	12047953	CUBA SOLDADA CO-350	WELDED TUB CO-350	1	-	-									
1	12101982	CUBA SOLDADA CO-400	WELDED TUB CO-400	-	1	-									
1	12113475	CUBA SOLDADA CO-400 SOFT	WELDED TUB CO-400 SOFT	-	-	1									
2	12048627	SOPORTE PUERTA IZQUIERDO	LEFT DOOR SUPPORT	1	1	1									
3	12048774	SOPORTE PUERTA DERECHO	RIGHT DOOR SUPPORT	1	1	1									
4	12049133	GUIA CESTILLO IZQU CO-350	LEFT BASKET GUIDE CO-350	1	-	-									
4	12102193	GUIA CESTILLO IZQU CO-400	LEFT BASKET GUIDE CO-400	-	1	1									
5	12049135	GUIA CESTILLO DCHA CO-350	RIGHT BASKET GUIDE CO-350	1	-	-									
5	12102194	GUIA CESTILLO DCHA CO-400	RIGHT BASKET GUIDE CO-400	-	1	1									
6	12087183	MACHO CIERRE PUERTA	DOOR LOCK	1	1	1									
7	12087186	FLEJE_CIERRE_PUERTA	DOOR LOCK SPRING	1	1	1									
8	12087200	PERFIL VAHOS CO-350	STEAM SEAL CO-350	1	-	-									
8	12101867	PERFIL VAHOS CO-400	STEAM SEAL CO-400	-	1	1									
9	12102061	PERFIL JUNTA VAHOS CO-350	STEAM PROFILE SEAL CO-350	1	-	-									
9	12102035	PERFIL JUNTA VAHOS CO-400	STEAM PROFILE SEAL CO-400	-	1	1									
10	12049271	BASE SOLDADA CO-350	WELDED BASE CO-350	1	-	-									
10	12101978	BASE SOLDADA CO-400	WELDED BASE CO-400	-	1	1									
11	12112707	PASAMUROS 18x8x6 CHAPA E=1	1MM SHEET BUSHING 18x8x6	2	2	2									
12	12087215	TUERCA RÁPIDA M5	FAST NUT M5	4	4	4									
13	12024163	PATA REGULABLE	REGULABLE FOOT	4	4	4									
14	12048439	PANEL SUPERIOR 350	TOP PANEL 350	1	-	-									
14	12101868	PANEL SUPERIOR 400	TOP PANEL 400	-	1	1									
15	12048562	PANEL FRONTAL CO-350	FRONT PANEL CO-350	1	-	-									
15	12101870	PANEL FRONTAL CO-400	FRONT PANEL CO-400	-	1	1									
16	12048645	PANEL POSTERIOR CO-350	REAR PANEL CO-350	1	-	-									
16	12101871	PANEL POSTERIOR CO-400	REAR PANEL CO-400	-	1	1									
17	12049066	PUERTA SOLDADA CO-350	WELDED DOOR CO-350	1	-	-									
17	12102007	PUERTA SOLDADA CO-400	WELDED DOOR CO-400	-	1	1									
18	12049468	ASA LAVAVASOS	GLASSWASHER HANDLE	1	1	1									
19	12024550	CESTILLO 350	BASKET 350	2	-	-									
19	12025069	CESTILLO 400	BASKET 400	-	2	2									





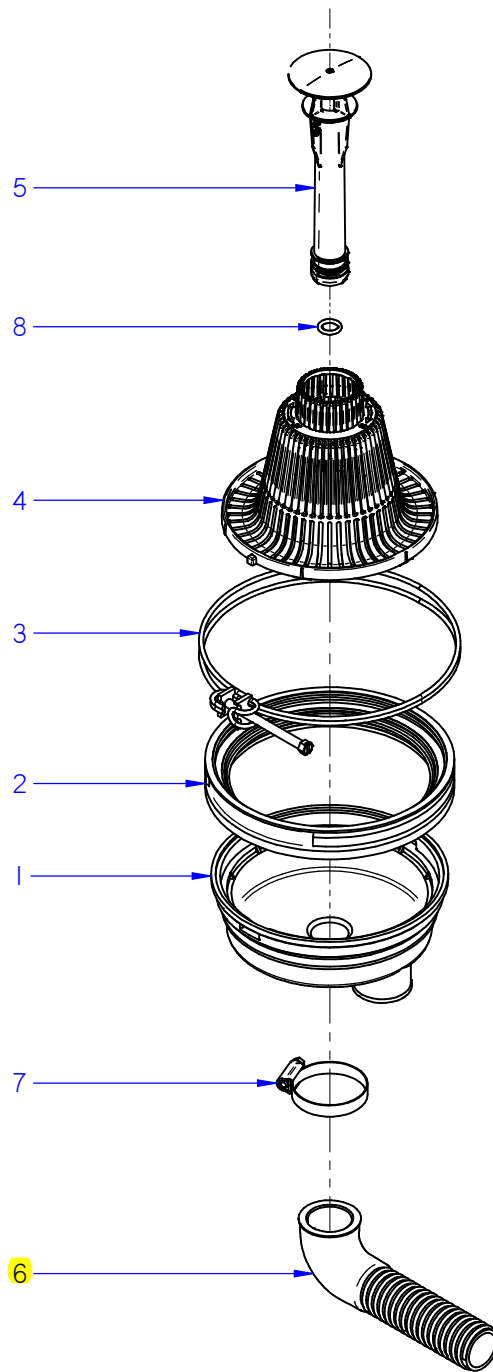
ITEM MARCADO EN COLOR = REPUESTO RECOMENDADO  
 COLOURED ITEM = RECOMMENDED SPARE PART

N plano / Drawing N.	Firma / Signature	Fecha / Date	Aparato / Appliance	PARTE FUNCIONAL LAVADO / WASHING FUNCTIONAL PART	Lamina / Sheet	Fagor Industrial S.Coop. <b>FAGOR</b>
C-3322	Iban R.	11/2014	LAVAVASOS CO-350-400 / DD GLASSWASHER		2	Oñate

ZONA / ZONE	PARTE FUNCIONAL LAVADO / WASHING FUNCTIONAL PART	LÁMINA / DRAWING	C-3322	FAGOR 
-------------	--	------------------	--------	---

ITEM	REFERENCIA REFERENCE	DENOMINACIÓN	DENOMINATION	CO-350	CO-400							RECOMMENDED	ELIMINADO ELIMINATED	INTRODUCIDO INTRODUCED	NOTAS / NOTES
1	12009829	TORNILLO ESPECIAL M.5X0.8	SPECIAL SCREW M.5X0.8	1	1										
2	12009962	ABRAZADERA 40-60	40-60 CLAMP	4	4										
3	12111848	SOPORTE BOMBA LAVADO 350	WASHIG PUMP SUPPORT 350	1	-										
3	12111106	SOPORTE BOMBA LAVADO 400	WASHIG PUMP SUPPORT 400	-	1										
4	12024346	CONDENSADOR 10MF	10MF CAPACITOR	1	1							X			
5	12112971	SOP. DISTRIBUIDOR INFERIOR	LOWER SPRY-ARM SUPPORT	1	1										
6	12024703	PASAMUROS CESTO CUADRADO	SQUARE BASKET BUSHING	1	1										
7	12023533	JUNTA ESTANQUEIDAD	SEALING GASKET	2	2										
8	12113028	SOP. DISTRIBUIDOR SUPERIOR	UPPER SPRY-ARM SUPPORT	1	1										
9	12010079	JUNTA TOR.50.17X60.83X5.3	O-RING 50.17X60.83X5.3	1	1										
10	12025216	CRUCETA	CROSSBRACE	2	2										
11	12024086	CASQUILLO CRUCETA	CROSSBRACE BUSHING	2	2										
12	12019827	RAMA LAVADO A 350	WASHING BRANCH A 350	2	-										
12	12022381	RAMA LAVADO A 400	WASHING BRANCH A 400	-	2										
13	12019857	RAMA LAVADO B	WASHING BRANCH B	2	-										
13	12022382	RAMA LAVADO B 400	WASHING BRANCH B 400	-	2										
14	12023732	TOBERA LAVADO	WASHING NOZZLE	10	12										
15	12023710	ENGANCHE TOBERA LAVADO	WASHING NOZZLE ENGAGE	10	12										
16	12025114	EJE	SHAFT	2	2										
17	12024059	ARBOL LAVADO 350	WASHING TREE 350	1	-										
17	12025154	ARBOL LAVADO 400	WASHING TREE 400	-	1										
18	12009986	ABRAZADERA 32-50L	32-50L CLAMP	2	2										
19	12023801	EMPALME ACLARADO	RINSE CONNECTION	1	1										
20	12009911	JUNTA TO.10.82X14.38X1.78	O-RING 10.82X14.38X1.78	2	2										
21	12024252	TOBERA ACLARADO 350	RINSING NOZZLE	8	10										
22	12023670	CODO ASPIRACION	SUCTION ELBOW	1	1										
23	12023607	CODO IMPULSION	EXPULSION ELBOW	1	1										
24	12023429	BOMBA LAVADO 50/60HZ 260KW	WASHING PUMP 50/60HZ 260KW	1	1							X			
25	12020475	RAMA ACLARADO A 350	RINSING BRANCH A 350	1	-										
25	12022613	RAMA ACLARADO A 400	RINSING BRANCH A 400	-	1										
26	12020476	RAMA ACLARADO B 350	RINSING BRANCH B 350	1	-										
26	12022710	RAMA ACLARADO B 400	RINSING BRANCH B 400	-	1										

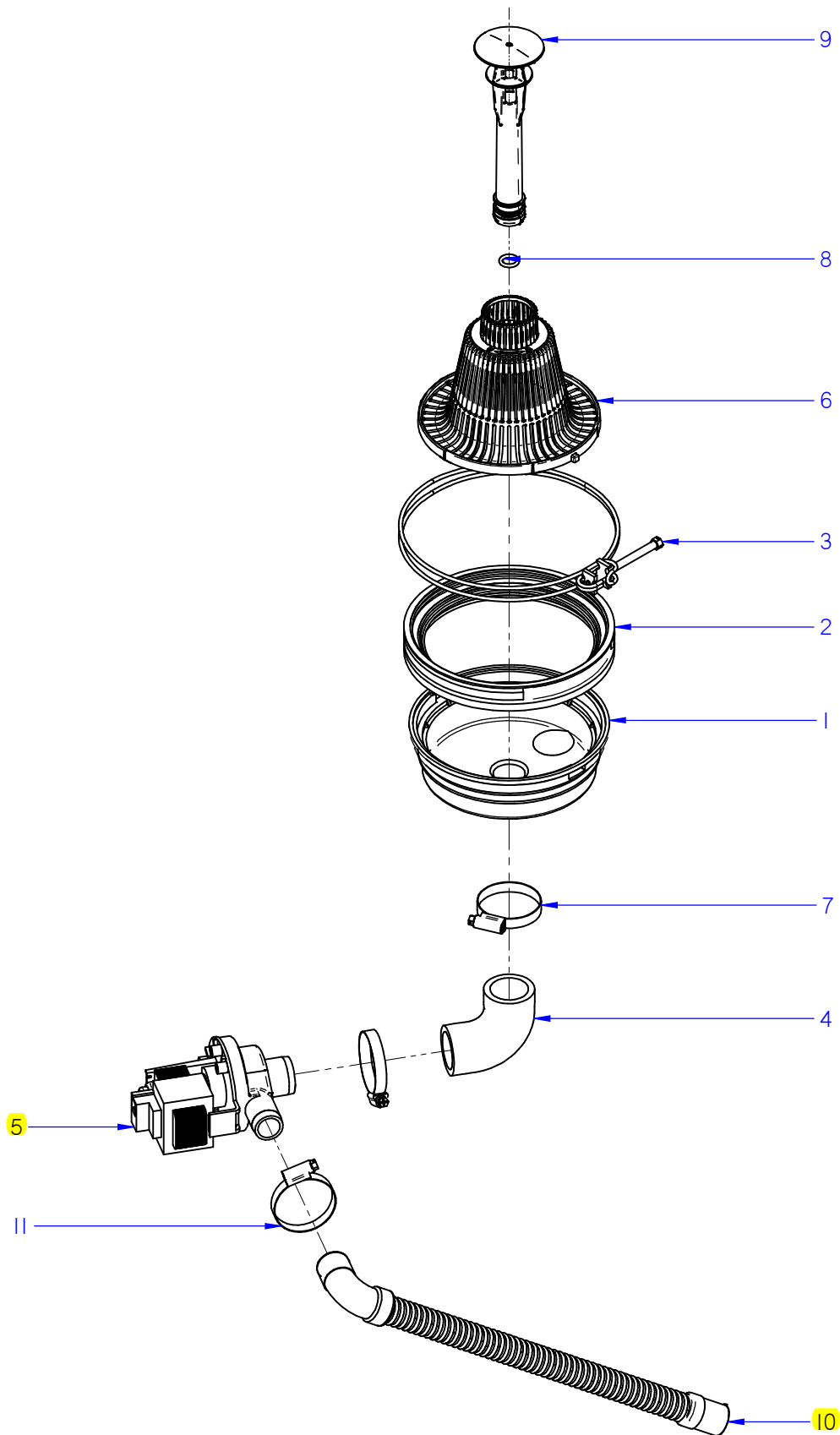




ITEM MARCADO EN COLOR = REPUESTO RECOMENDADO  
 COLOURED ITEM = RECOMMENDED SPARE PART

N plano / Drawing N.	Firma / Signature	Fecha / Date	Aparato / Appliance	PARTE FUNCIONAL LAVADO / WASHING FUNCTIONAL PART	Lamina / Sheet	Fagor Industrial S.Coop. <b>FAGOR</b>
C-3323	Iban R.	11-2014	LAVAVASOS CO-350-400	GLASSWASHER	3	Oñate

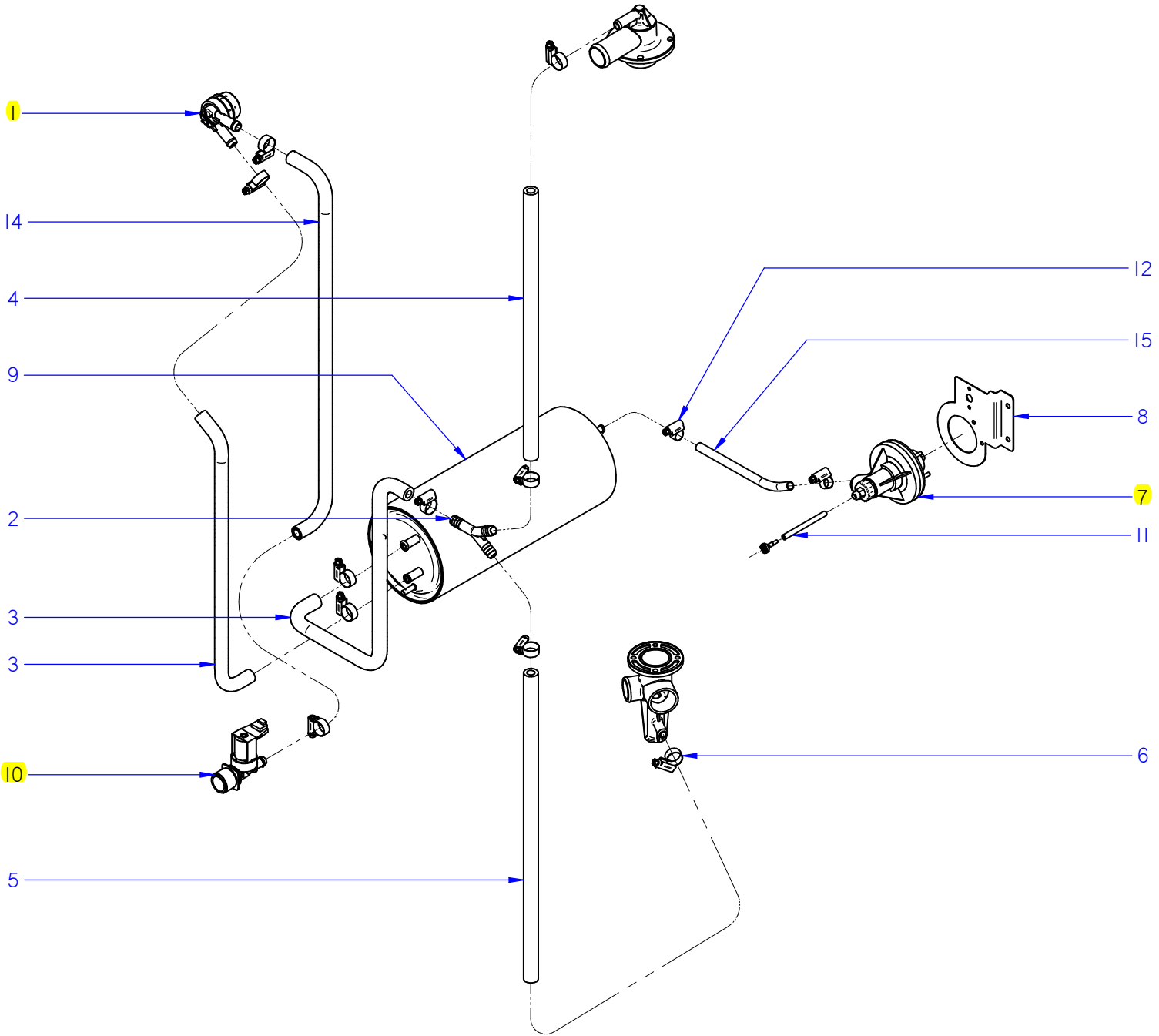




ITEM MARCADO EN COLOR = REPUESTO RECOMENDADO  
 COLOURED ITEM = RECOMMENDED SPARE PART

N plano / Drawing N.	Firma / Signature	Fecha / Date	Aparato / Appliance	PARTE FUNCIONAL LAVADO / WASHING FUNCTIONAL PART	Lamina / Sheet	Fagor Industrial S.Coop. <b>FAGOR</b>
C-3324	Iban R.	11-2014	LAVAVASOS CO-350-400 B	GLASSWASHER	4	Oñate

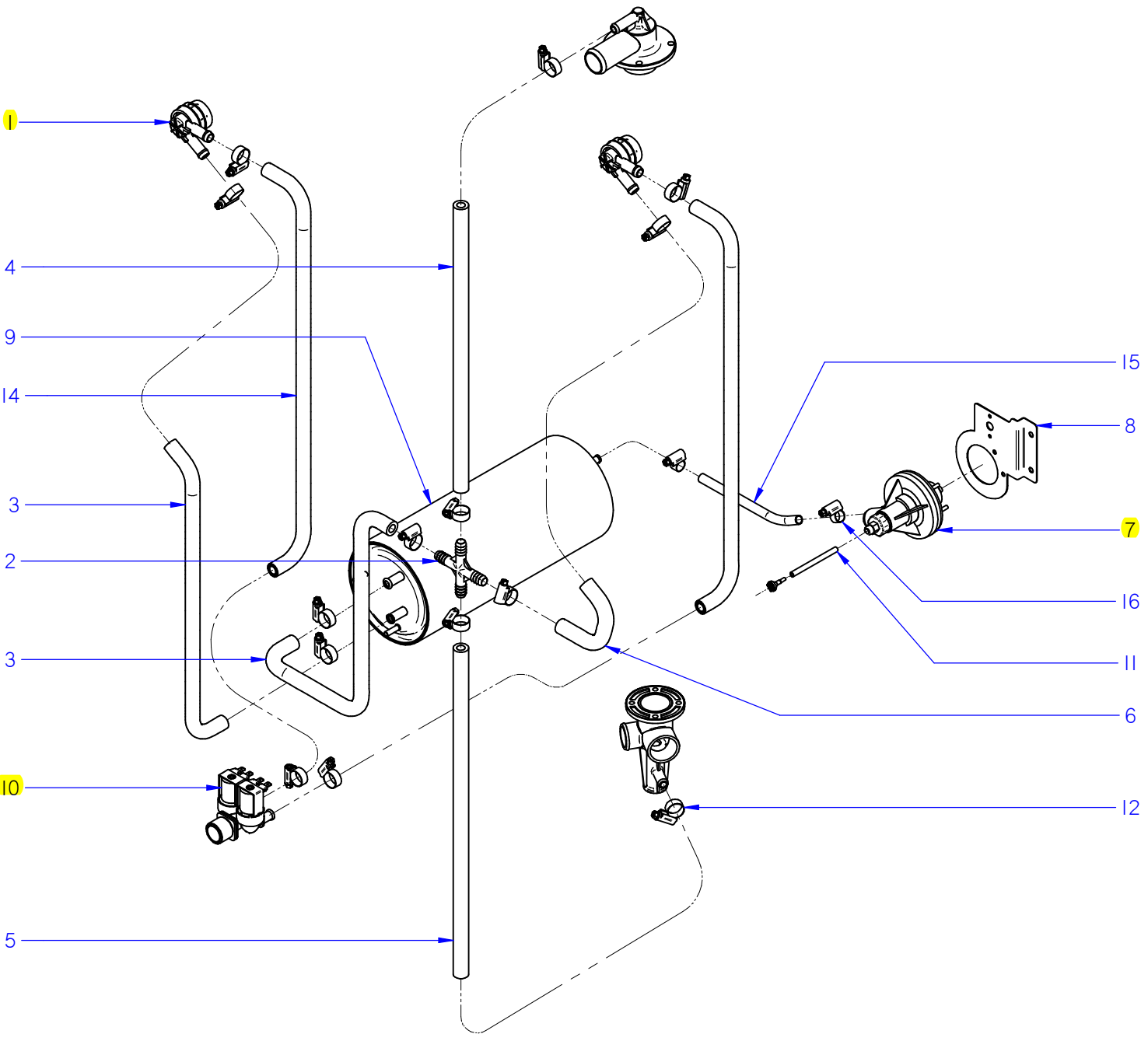




ITEM MARCADO EN COLOR = REPUESTO RECOMENDADO  
 COLOURED ITEM = RECOMMENDED SPARE PART

N plano / Drawing N.	Firma / Signature	Fecha / Date	Aparato / Appliance	ACRABADO / RINSING PART	Lamina / Sheet	Fogor Industrial s. Coop.
C-3325	Iban R	2014-11	LAVAVASOS CO-350-400 GLASSWASHER		5	<b>FAGOR</b>





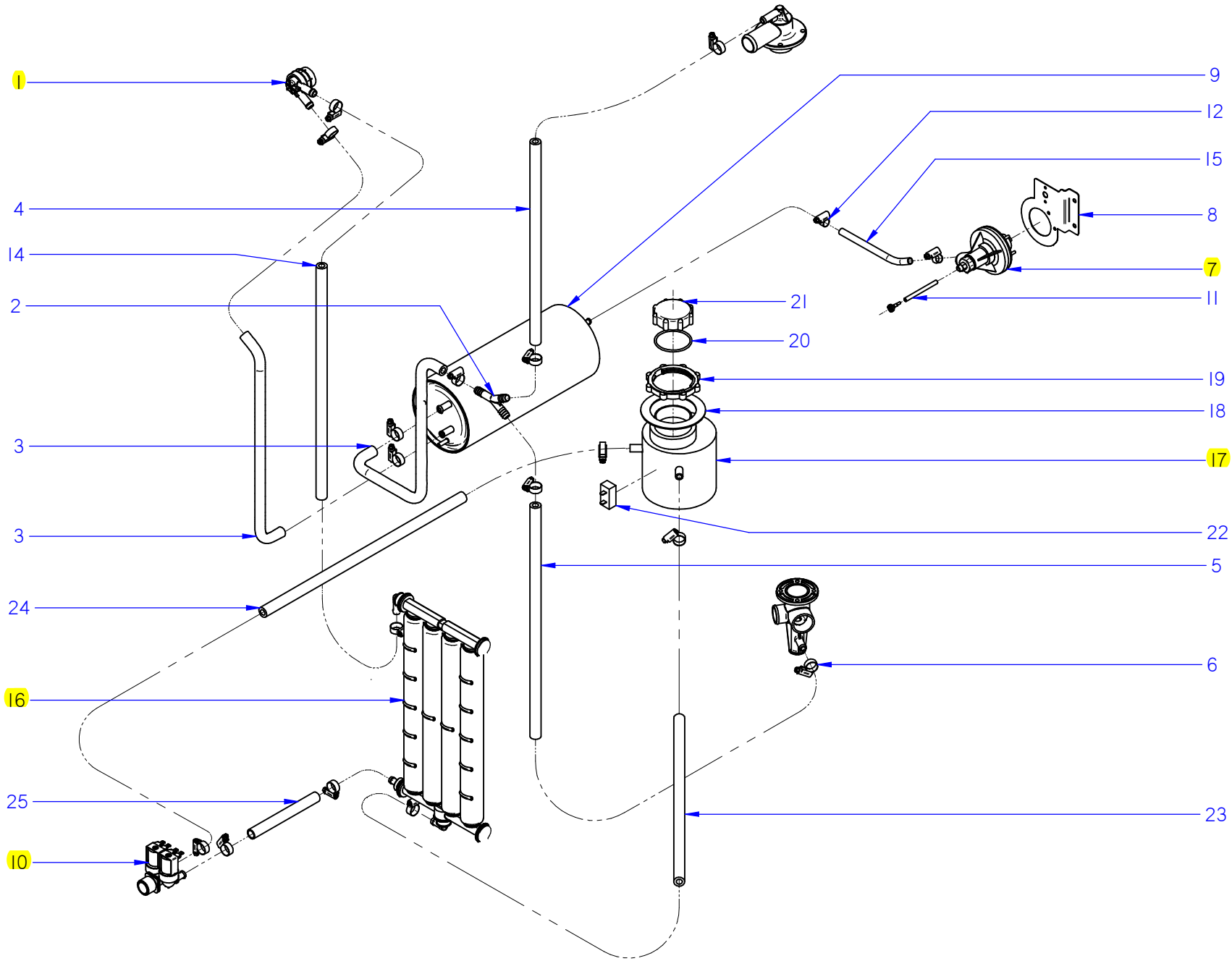
ITEM MARCADO EN COLOR = REPUESTO RECOMENDADO  
 COLOURED ITEM = RECOMMENDED SPARE PART

N plano / Drawing N.	Firma / Signature	Fecha / Date	Aparato / Appliance	ACLARADO / RINSING PART	Lamina / Sheet	Fagor Industrial S. Coop.
C-3326	Iban R	2014-11	LAVAVASOS CO-350-400 COLD GLASSWASHER		5	<b>FAGOR</b>

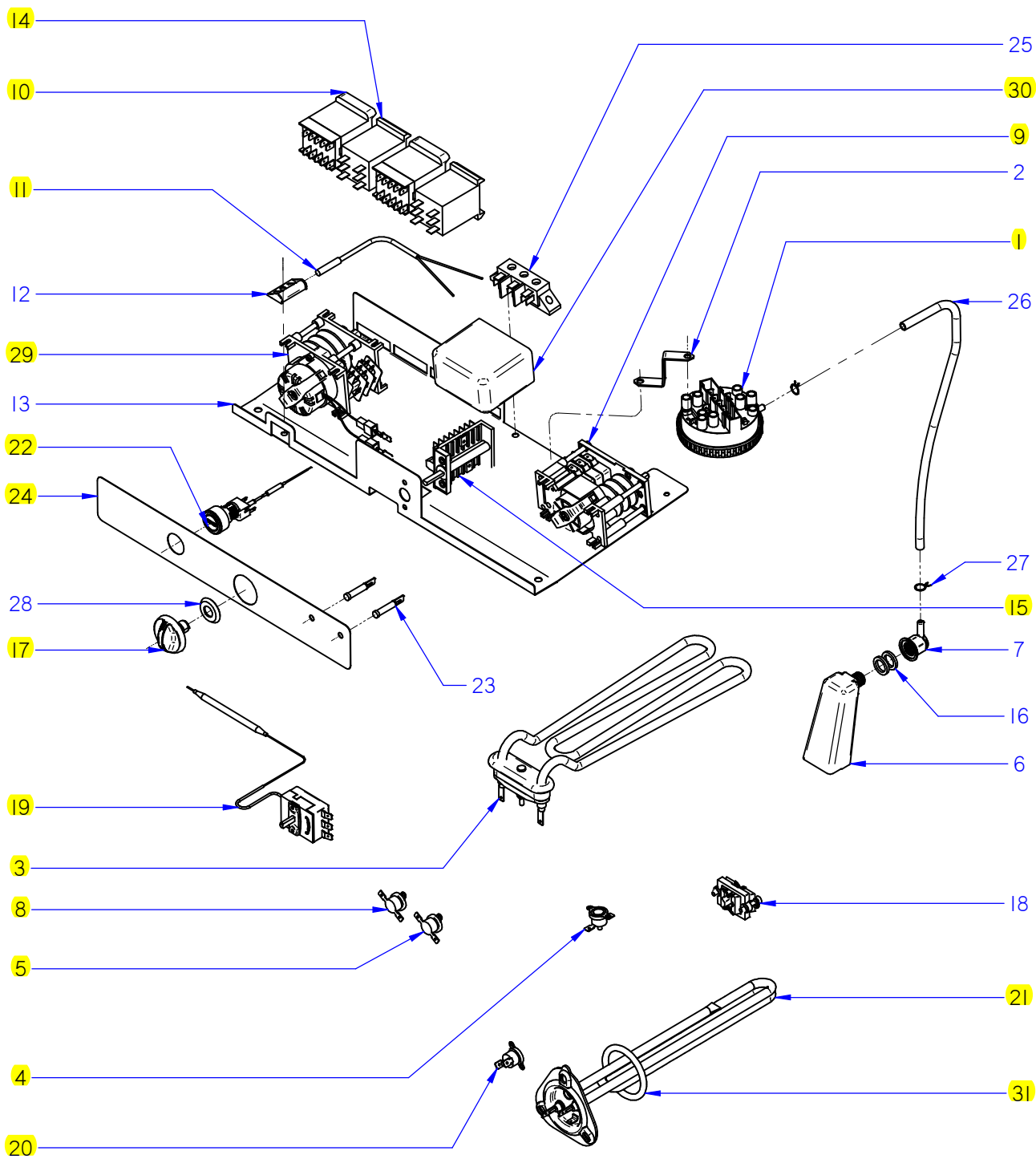





ITEM MARCADO EN COLOR = REPUESTO RECOMENDADO  
 COLOURED ITEM = RECOMMENDED SPARE PART







ITEM MARCADO EN COLOR = REPUESTO RECOMENDADO  
 COLOURED ITEM = RECOMMENDED SPARE PART

N plano / Drawing N.	Firma / Signature	Fecha / Date	Aparato / Appliance	PARTE FUNCIONAL LAVADO / WASHING FUNCTIONAL PART	Lamina / Sheet	Fagor Industrial S.Coop. <b>FAGOR</b>
C-3328	Iban R.	03-2015	LAVAVASOS CO-350-400	GLASSWASHER	8	
						Onote

ZONA / ZONE	CONJUNTO ELECTRICO / ELECTRICAL PART	LÁMINA / DRAWING	C-3328	FAGOR 
-------------	--------------------------------------	------------------	--------	---

ITEM	REFERENCIA REFERENCE	DENOMINACIÓN	DENOMINATION	CO-350	CO-350 COLD	CO-400	CO-400 COLD	CO-400 SOFT			RECOMMENDED	ELIMINADO ELIMINATED	INTRODUCIDO INTRODUCED	NOTAS / NOTES
1	12023803	PRESOSTATO SIMPLE	SIMPLE PRESSURE SWITCH	1	1	1	1	1			X			
1	12024981	PRESOSTATO DOBLE	DOUBLE PRESSURE SWITCH	1	1	1	1	1			X			MODELOS B MODELS ONLY
2	12023163	SOPORTE PRESOSTATO	PRESSURE SWITCH SUPPORT	1	1	1	1	1						
3	12090524	RESISTENCIA TANQUE 400 2 KW	TUB RESISTOR 400 2KW	1	1	1	1	1			X			
4	12090518	TERM. SEG. 261B NC 95°C	SAFETY THER. 261B 95°C	1	1	1	1	1			X			
5	12090526	TERM. SEG. 261 NC 56°C	SAFETY THER. 261 56°C	1	1	1	1	1			X			
6	12090549	CAMARA PRESOSTATO CO-400	PRESSURE CHAMBER CO-400	1	1	1	1	1			X			
7	12091147	RACOR PRESOSTATO CO-400	PRESSURE SWITCH FITTING CO-400	1	1	1	1	1						
8	12095019	TERMOSTATO 261 NA 51°C	THERMOSTAT 261 NA 51°C	1	1	1	1	1			X			
9	12024873	PROGRAMADOR DE CICLO	CYCLE PROGRAMMER	1	1	1	1	1			X			
10	12024011	CONTACTOR 230 V. 50-60 HZ	230 V. 50-60 HZ CONTACTOR	2	2	2	2	2			X			
11	12024477	INTERRUPTOR MAGNETICO	MAGNETIC SWITCH	1	1	1	1	1			X			
12	12024066	AMARRE INTERRUPTOR MAGNETICO	MAGNETIC SWITCH'S SUPPORT	1	1	1	1	1						
13	12049136	SOP. COMPONENTES ELECTRICOS	ELECTRIC COMPONENTS SUPPORT	1	1	-	-	-						
13	12101832	SOP. COMPONENTES ELECTRICOS	ELECTRIC COMPONENTS SUPPORT	-	-	1	1	1						
14	12023706	RELE 230V. 16A 50-60 HZ	230V. 16A 50-60 HZ RELAY	2	2	2	2	2			X			
15	12024972	CONMUTADOR 4 POSICIONES	SWITCH FOR FUNCTIONS 4 POSS.	1	1	1	1	1			X			
16	12009873	JUNTA CAMARA PRESOSTATO	PRESSURE CHAMBER SEAL	2	2	2	2	2						
17	12049646	CONJUNTO MANDO CONCEPT	CONCEPT KNOB ASSEMBLED	1	1	-	-	-			X			
17	12115972	CONJUNTO MANDO CONCEPT	CONCEPT KNOB ASSEMBLED	-	-	1	1	1			X			
18	12024230	RETENEDOR DE CABLE	CABLE RETAINER	1	1	1	1	1						
19	12046152	TERMOSTAT. CALDERIN 85°C TECASA	BOILER THERMOSTAT 85°C TECASA	1	1	1	1	1			X			
20	12096597	TERM.SEG. 261B 110°C FAST 90	SAFETY THER. 261B 110°C FAST 90	1	1	1	1	1			X			
21	12093151	RESISTENCIA CALDERIN 2,4KW	BOILER'S RESISTOR 2,4KW	1	1	-	-	-			X			
21	12093124	RESISTENCIA CALDERIN 2,8KW	BOILER'S RESISTOR 2,8KW	-	-	1	1	1			X			
22	12115383	PULSADOR DC 5A 1VIA 1POS	DC 5A 1WAY 1POS PUSHBUTTON	1	1	1	1	1			X			
23	12087178	PILOTO BLANCO	WHITE PILOT	2	2	2	2	3						
24	12093682	EMBELLECEDOR CO-350-400	STICKER CO-350-400	1	-	1	-	-			X			
24	12049891	EMBELLECEDOR CO-350-400 COLD	STICKER CO-350-400 COLD	-	1	-	1	-			X			
24	12101854	EMBELLECEDOR CO-400 SOFT	STICKER CO-400 SOFT	-	-	-	-	1			X			
25	12024382	REGLETA 40A 3VIA 5MM	CONNECTION STRIP 40A 3WAY 5MM	1	1	1	1	1						
26	11000066	TUBO GOMA NEGRO D 8*4	BLACK RUBBER PIPE D 8*4	1	1	1	1	1						





ZONA / ZONE	RECOMENDADOS / RECOMMENDED	LÁMINA / DRAWING	FAGOR 
-------------	----------------------------	------------------	---

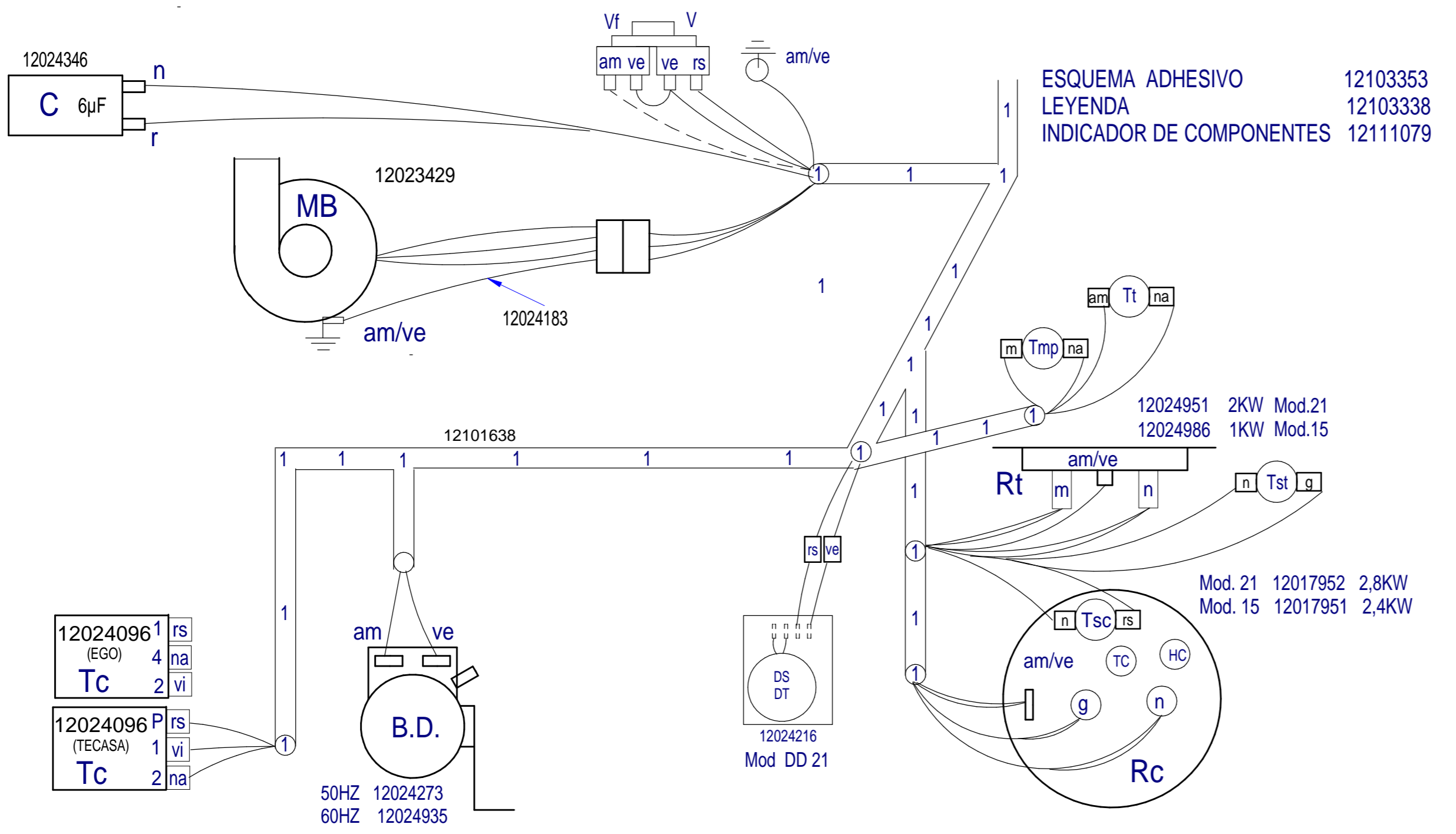
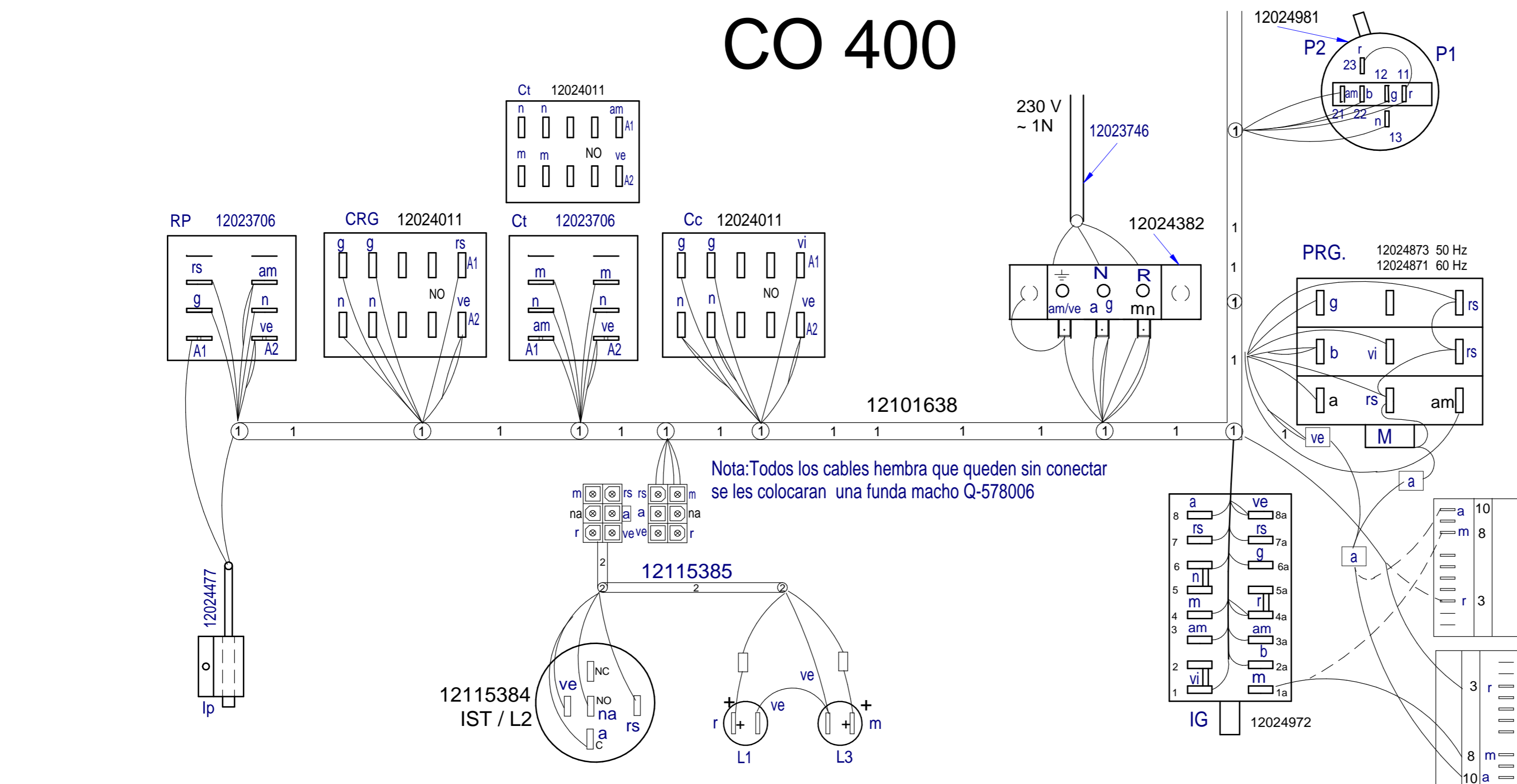
ITEM	REFERENCIA REFERENCE	DENOMINACIÓN	DENOMINATION	CO-350	CO-350 DD	CO-350 B	CO-350 B DD	CO-350 COLD	CO-350 COLD B	CO-350 COLD DD	CO-350 COLD B DD	ELIMINADO ELIMINATED	INTRODUCIDO INTRODUCED	NOTAS / NOTES
4	12024346	CONDENSADOR 10MF	10MF CAPACITOR	1	1	1	1	1	1	1	1			C-3322
24	12023429	BOMBA LAVADO 50/60HZ 260KW	WASHING PUMP 50/60HZ 260KW	1	1	1	1	1	1	1	1			C-3322
28	12024216	DOSIFIC. DGTE REGULABLE G300	REGUL. DETERG. DISPENSER G300	-	1	-	1	-	-	1	1			C-3322
6	12024114	MANGUERA DESAGUE	DRAINING PIPE	1	1	-	-	1	-	1	-			C-3323
5	12094265	BOMBA DESAGÜE 1N 50/60Hz 38W	DRAINING PUMP 1N 50/60Hz 38W	-	-	1	1	-	1	-	1			C-3324
10	12023666	MANGUERA DESAGÜE	DRAINING PIPE	-	-	1	1	-	1	-	1			C-3324
1	12024568	VALVULA ANTIRRETORNO	NON-RETURN VALVE	1	1	1	1	2	2	2	2			C-3325
7	12045206	DOSIFICADOR ABRILL. AQUA	AQUA RINSE-AID DISPENSER	1	1	1	1	1	1	1	1			C-3325
10	12110534	E.V.SIMPLE 220V. 50/60Hz	SIMPLE ELECTROVALVE	1	1	1	1	-	-	-	-			C-3325
10	12110531	ELECTROVALVULA DOBLE	DOUBLE ELECTROVALVE	-	-	-	-	1	1	1	1			C-3326
1	12023803	PRESOSTATO SIMPLE	SIMPLE PRESSURE SWITCH	1	1	-	-	1	-	1	-			C-3328
1	12024981	PRESOSTATO DOBLE	DOUBLE PRESSURE SWITCH	-	-	1	1	-	1	-	1			C-3328
3	12090524	RESISTENCIA TANQUE 400 2 KW	TUB RESISTOR 400 2KW	1	1	1	1	1	1	1	1			C-3328
4	12090518	TERM. SEG. 261B NC 95°C	SAFETY THER. 261B 95°C	1	1	1	1	1	1	1	1			C-3328
5	12090526	TERM. SEG. 261 NC 56°C	SAFETY THER. 261 56°C	1	1	1	1	1	1	1	1			C-3328
6	12090549	CAMARA PRESOSTATO CO-400	PRESSURE CHAMBER CO-400	1	1	1	1	1	1	1	1			C-3328
8	12095019	TERMOSTATO 261 NA 51°C	THERMOSTAT 261 NA 51°C	1	1	1	1	1	1	1	1			C-3328
9	12024873	PROGRAMADOR DE CICLO	CYCLE PROGRAMMER	1	1	1	1	1	1	1	1			C-3328
10	12024011	CONTACTOR 230 V. 50-60 HZ	230 V. 50-60 HZ CONTACTOR	2	2	2	2	2	2	2	2			C-3328
11	12024477	INTERRUPTOR MAGNETICO	MAGNETIC SWITCH	1	1	1	1	1	1	1	1			C-3328
14	12023706	RELE 230V. 16A 50-60 HZ	230V. 16A 50-60 HZ RELAY	2	2	2	2	2	2	2	2			C-3328
15	12024972	CONMUTADOR 4 POSICIONES	SWITCH FOR FUNCTIONS 4 POSS.	1	1	1	1	1	1	1	1			C-3328
17	12049646	CONJUNTO MANDO CONCEPT	CONCEPT KNOB ASSEMBLED	1	1	1	1	1	1	1	1			C-3328
19	12046152	TERMOSTAT. CALDERIN 85°C TECASA	BOILER THERMOSTAT 85°C TECASA	1	1	1	1	1	1	1	1			C-3328
20	12096597	TERM.SEG. 261B 110°C FAST 90	SAFETY THER. 261B 110°C FAST 90	1	1	1	1	1	1	1	1			C-3328
21	12093151	RESISTENCIA CALDERIN 2,4KW	BOILER'S RESISTOR 2,4KW	1	1	1	1	1	1	1	1			C-3328
22	12115383	PULSADOR DC 5A 1VIA 1POS	DC 5A 1WAY 1POS PUSHBUTTON	1	1	1	1	1	1	1	1			C-3328
24	12093682	EMBELLECEDOR CO-350-400	STICKER CO-350-400	1	1	1	1	-	-	-	-			C-3328
24	12049891	EMBELLECEDOR CO-350-400 COLD	STICKER CO-350-400 COLD	-	-	-	-	1	1	1	1			C-3328
30	12110686	SOFT START AF	SOFT START AF	1	1	1	1	1	1	1	1			C-3328
31	12102062	JUNTA TÓRICA RESIS. TUBULAR EVO	EVO TUBULAR RESISTOR O-RING	1	1	1	1	1	1	1	1			C-3328

ZONA / ZONE	RECOMENDADOS / RECOMMENDED	LÁMINA / DRAWING	FAGOR 
-------------	----------------------------	------------------	---

ITEM	REFERENCIA REFERENCE	DENOMINACIÓN	DENOMINATION	CO-400	CO-400 COLD	CO-400 COLD D	CO-400 COLD B	CO-400 COLD B DD	CO-400 SOFT			ELIMINADO ELIMINATED	INTRODUCIDO INTRODUCED	NOTAS / NOTES
4	12024346	CONDENSADOR 10MF	10MF CAPACITOR	1	1	1	1	1	1					C-3322
24	12023429	BOMBA LAVADO 50/60HZ 260KW	WASHING PUMP 50/60HZ 260KW	1	1	1	1	1	1					C-3322
28	12024216	DOSIFIC. DGTE REGULABLE G300	REGUL. DETERG. DISPENSER G300	-	-	1	-	1	-					C-3322
6	12024114	MANGUERA DESAGUE	DRAINING PIPE	1	1	1	-	-	1					C-3323
5	12094265	BOMBA DESAGÜE 1N 50/60Hz 38W	DRAINING PUMP 1N 50/60Hz 38W	-	-	-	1	1	-					C-3324
10	12023666	MANGUERA DESAGÜE	DRAINING PIPE	-	-	-	1	1	-					C-3324
1	12024568	VALVULA ANTIRRETORNO	NON-RETURN VALVE	1	2	2	2	2	1					C-3325
7	12045206	DOSIFICADOR ABRILL. AQUA	AQUA RINSE-AID DISPENSER	1	1	1	1	1	1					C-3325
10	12110534	E.V.SIMPLE 220V. 50/60Hz	SIMPLE ELECTROVALVE	1	-	-	-	-	-					C-3325
10	12110531	ELECTROVALVULA DOBLE	DOUBLE ELECTROVALVE	-	2	2	2	2	2					C-3326
16	12024874	DESCALCIFICADOR 4 COLUMNAS	4 COLUMN SOFTENER	-	-	-	-	-	1					C-3327
17	12113090	BOTE SALES SENSOR CO-400	SALT CONTAINER CO-400	-	-	-	-	-	1					C-3327
1	12023803	PRESOSTATO SIMPLE	SIMPLE PRESSURE SWITCH	1	1	1	-	-	1					C-3328
1	12024981	PRESOSTATO DOBLE	DOUBLE PRESSURE SWITCH	-	-	-	1	1	-					C-3328
3	12090524	RESISTENCIA TANQUE 400 2 KW	TUB RESISTOR 400 2KW	1	1	1	1	1	1					C-3328
4	12090518	TERM. SEG. 261B NC 95°C	SAFETY THER. 261B 95°C	1	1	1	1	1	1					C-3328
5	12090526	TERM. SEG. 261 NC 56°C	SAFETY THER. 261 56°C	1	1	1	1	1	1					C-3328
6	12090549	CAMARA PRESOSTATO CO-400	PRESSURE CHAMBER CO-400	1	1	1	1	1	1					C-3328
8	12095019	TERMOSTATO 261 NA 51°C	THERMOSTAT 261 NA 51°C	1	1	1	1	1	1					C-3328
9	12024873	PROGRAMADOR DE CICLO	CYCLE PROGRAMMER	1	1	1	1	1	1					C-3328
10	12024011	CONTACTOR 230 V. 50-60 HZ	230 V. 50-60 HZ CONTACTOR	2	2	2	2	2	2					C-3328
11	12024477	INTERRUPTOR MAGNETICO	MAGNETIC SWITCH	1	1	1	1	1	1					C-3328
14	12023706	RELE 230V. 16A 50-60 HZ	230V. 16A 50-60 HZ RELAY	2	2	2	2	2	2					C-3328
15	12024972	CONMUTADOR 4 POSICIONES	SWITCH FOR FUNCTIONS 4 POSS.	1	1	1	1	1	1					C-3328
17	12115972	CONJUNTO MANDO CONCEPT	CONCEPT KNOB ASSEMBLED	1	1	1	1	1	1					C-3328
19	12046152	TERMOSTAT. CALDERIN 85°C TECASA	BOILER THERMOSTAT 85°C TECASA	1	1	1	1	1	1					C-3328
20	12096597	TERM.SEG. 261B 110°C FAST 90	SAFETY THER. 261B 110°C FAST 90	1	1	1	1	1	1					C-3328
21	12093124	RESISTENCIA CALDERIN 2,8KW	BOILER'S RESISTOR 2,8KW	1	1	1	1	1	1					C-3328
22	12115383	PULSADOR DC 5A 1VIA 1POS	DC 5A 1WAY 1POS PUSHBUTTON	1	1	1	1	1	1					C-3328
24	12093682	EMBELLECEDOR CO-350-400	STICKER CO-350-400	1	-	-	-	-	-					C-3328
24	12049891	EMBELLECEDOR CO-350-400 COLD	STICKER CO-350-400 COLD	-	1	1	1	1	-					C-3328
24	12101854	EMBELLECEDOR CO-400 SOFT	STICKER CO-400 SOFT	-	-	-	-	-	1					C-3328



# CO 400



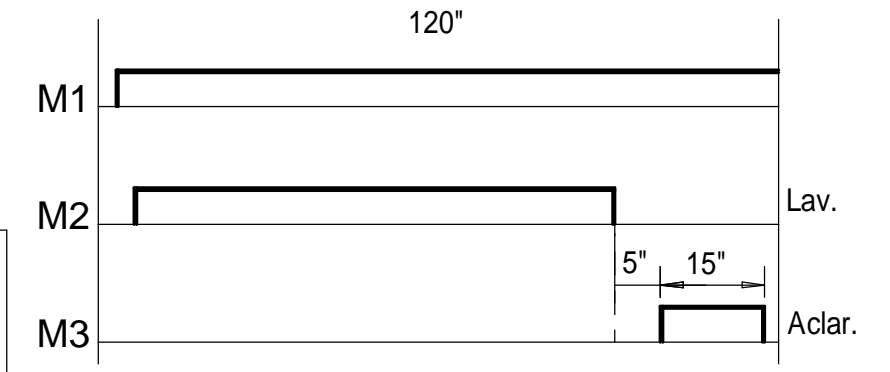
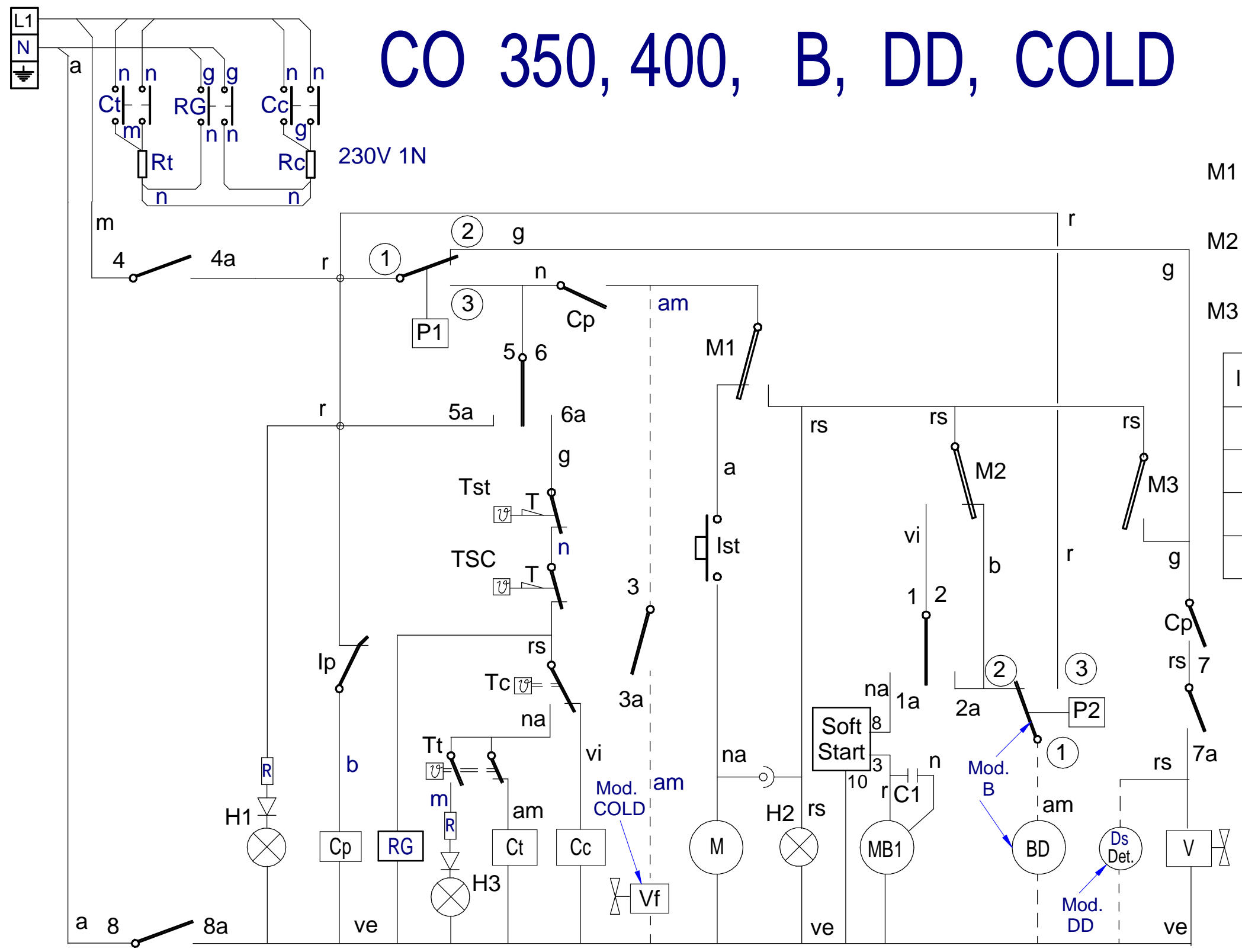
Plano Montaje CO 400, 350 (12, 21)		12114478			
Nº	TITLE	QTY	CODE	MATERIAL	TREATMENT
GENERAL TOLERANCES: ISO 2768-1			Very Coarse		
DIMENSION	<math>-20mm</math>	±0.05	±0.10	±0.15	
	3-5mm	±0.05	±0.10	±0.20	
	6-30mm	±0.10	±0.20	±0.50	
	30-120mm	±0.15	±0.30	±0.80	
	120-400mm	±0.20	±0.50	±1.20	
ANGULO	<math><10mm</math>	±1°	±1°	±1°30'	±2°
	10-50mm	±30'	±1°	±1°	±2°
	50-120mm	±20'	±30'	±1°	
GENERAL TOLERANCE FOR FORM AND POSITION: ISO 2768-2			LAVAVAJILLAS		
DESIGNED BY: M.Maíllo		VALIDATED BY: A.Gallastegui		DATE: 12.06.2014	
SHEET: 1 / 1		SCALE: 1:1			

12114478

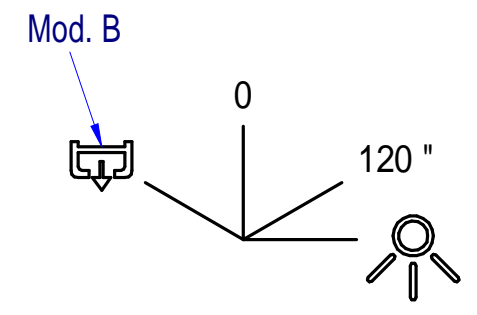
REVISION

PROPOSED BY: - ISSUE DATE:

# CO 350, 400, B, DD, COLD



IG	1 - 2 1a 2a	3 3a	4 4a	5 - 6 5a 6a	7 7a	8 8a
	X		X	X		X
0						
120"	X		X	X	X	X
	X	X	X	X	X	X



12103353

-	Esquema Teorico CO 400, B, DD, COLD	-	12103353																																																																								
Nº	TITLE	QTY	CODE	MATERIAL	TREATMENT																																																																						
GENERAL TOLERANCES:		ISO 2768-1		Very Coarse																																																																							
	<table border="1"> <tr><th></th><th>Fine</th><th>Medium</th><th>Coarse</th><th>Very Coarse</th></tr> <tr><td>&lt;3mm</td><td>±0.05</td><td>±0.10</td><td>±0.15</td><td>±0.20</td></tr> <tr><td>3-6mm</td><td>±0.05</td><td>±0.10</td><td>±0.20</td><td>±0.30</td></tr> <tr><td>6-30mm</td><td>±0.10</td><td>±0.20</td><td>±0.50</td><td>±1.00</td></tr> <tr><td>30-120mm</td><td>±0.15</td><td>±0.30</td><td>±0.80</td><td>±1.20</td></tr> <tr><td>120-400mm</td><td>±0.20</td><td>±0.50</td><td>±1.20</td><td>±2.00</td></tr> <tr><td>400-1000mm</td><td>±0.30</td><td>±0.80</td><td>±2.00</td><td>±3.00</td></tr> <tr><td>1000-2000mm</td><td>±0.50</td><td>±1.20</td><td>±3.00</td><td>±5.00</td></tr> </table>		Fine	Medium	Coarse	Very Coarse	<3mm	±0.05	±0.10	±0.15	±0.20	3-6mm	±0.05	±0.10	±0.20	±0.30	6-30mm	±0.10	±0.20	±0.50	±1.00	30-120mm	±0.15	±0.30	±0.80	±1.20	120-400mm	±0.20	±0.50	±1.20	±2.00	400-1000mm	±0.30	±0.80	±2.00	±3.00	1000-2000mm	±0.50	±1.20	±3.00	±5.00	<table border="1"> <tr><th></th><th>Fine</th><th>Medium</th><th>Coarse</th><th>Very Coarse</th></tr> <tr><td>&lt;10mm</td><td>±1°</td><td>±1°30'</td><td>±2°</td><td>±3°</td></tr> <tr><td>10-50mm</td><td>±30'</td><td>±1°</td><td>±2°</td><td>±3°</td></tr> <tr><td>50-120mm</td><td>±20'</td><td>±30'</td><td>±1°</td><td>±1°</td></tr> <tr><td>120-400mm</td><td>±10'</td><td>±15'</td><td>±30'</td><td>±1°</td></tr> <tr><td>&gt;400mm</td><td>±5'</td><td>±10'</td><td>±20'</td><td>±1°</td></tr> </table>			Fine	Medium	Coarse	Very Coarse	<10mm	±1°	±1°30'	±2°	±3°	10-50mm	±30'	±1°	±2°	±3°	50-120mm	±20'	±30'	±1°	±1°	120-400mm	±10'	±15'	±30'	±1°	>400mm	±5'	±10'	±20'	±1°		
	Fine	Medium	Coarse	Very Coarse																																																																							
<3mm	±0.05	±0.10	±0.15	±0.20																																																																							
3-6mm	±0.05	±0.10	±0.20	±0.30																																																																							
6-30mm	±0.10	±0.20	±0.50	±1.00																																																																							
30-120mm	±0.15	±0.30	±0.80	±1.20																																																																							
120-400mm	±0.20	±0.50	±1.20	±2.00																																																																							
400-1000mm	±0.30	±0.80	±2.00	±3.00																																																																							
1000-2000mm	±0.50	±1.20	±3.00	±5.00																																																																							
	Fine	Medium	Coarse	Very Coarse																																																																							
<10mm	±1°	±1°30'	±2°	±3°																																																																							
10-50mm	±30'	±1°	±2°	±3°																																																																							
50-120mm	±20'	±30'	±1°	±1°																																																																							
120-400mm	±10'	±15'	±30'	±1°																																																																							
>400mm	±5'	±10'	±20'	±1°																																																																							
LAVAVAJILLAS		DESIGNED BY	VALIDATED BY	DATE	SHEET: 1 / 1																																																																						
ISO 2768-2		M.MAILLO	X.Iruretagoyena	07.02.2014	SCALE:																																																																						
12103353		PROPOSED BY:	M.MAILLO	ISSUE DATE:																																																																							

