
DESPIECE TECNICO

**Lavavajillas
Lavevaisselle
Dishwasher
Geschirrspüler
Lavastoviglie**

Modelos:

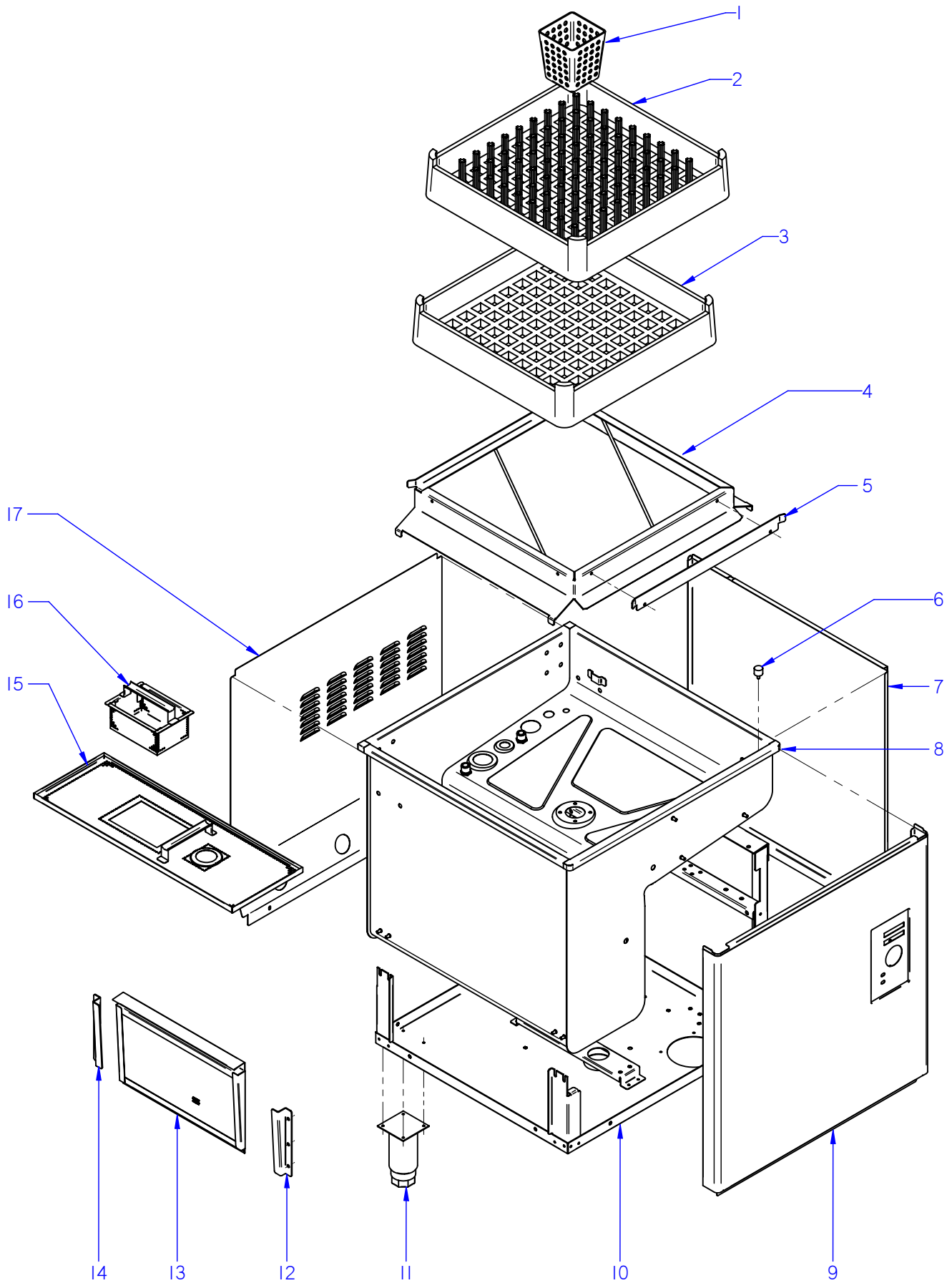
**FI-100
FI-100 B
FI-100 AR
FI-100 B BT UK**

Junio 2007 June

Revisado Junio 2010



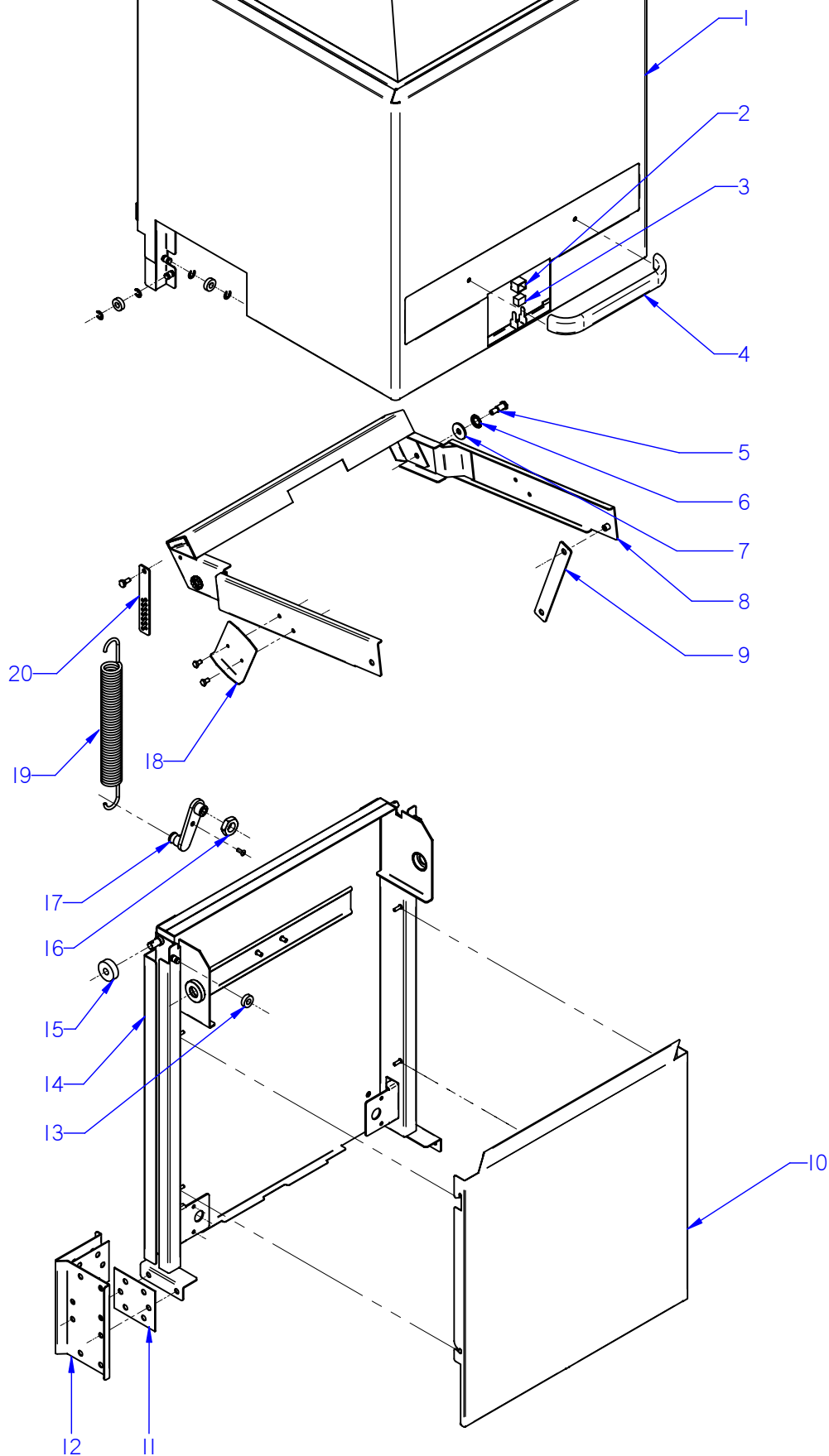
Fagor Industrial



ITEM MARCADO EN COLOR = REPUESTO RECOMENDADO
 COLOURED ITEM = RECOMMENDED SPARE PART

N plano	Firma	Fecha	Aparato	MUEBLE	Lamina	Fagor Industrial S.Coop. FAGOR
C-1880	<i>(Signature)</i>	2007-07	LAVAVAJILLAS FI-100		1	Oñate

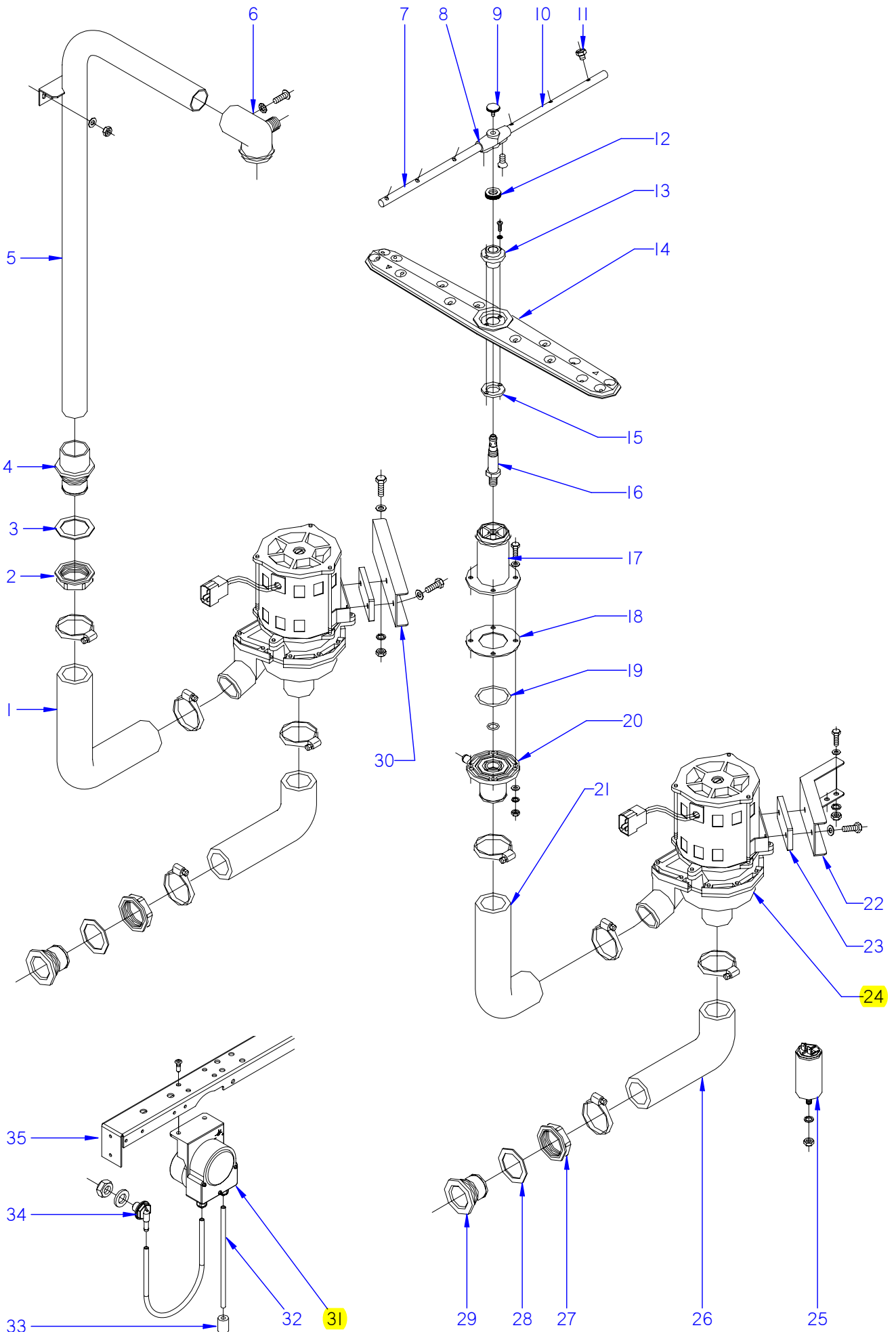
MOD.		LAVAVAJILLAS DE CAPOTA		ZONA	MUEBLE			PLANO	C-1880	
ITEM	CODIGO	DENOMINACION	TEXTO	FI-100	FI-100B BT UK	FI-100 AR				NOTAS
1	Z655314000	CESTILLO CUBIERTOS	CUTLERY BASKET	8	8	8				
2	Z655302000	CESTILLO PLATOS CP-16-18	PLATE BASKET CP-16-18	1		1				
3	Z655301000	CESTILLO BASE CT-10	BASE BASKET CT-10	1	1	1				
4	Z710325000	BASE CESTILLO COMPLETA	COMPLETE BASKET BASE	1	1	1				ELIMINADO 26.09.01
4	Z710377000	BASE CESTILLO COMPLETA	COMPLETE BASKET BASE	1	1	1				INTRODUCIDO 26.09.01
5	Z710326000	GUIA CESTILLO	BASKET GUIDE	1	1	1				
	Q152004000	TORNILLO APLAST. M5x13 A304	MUSHROOM HEAD BOLT M5x13	2	2	2				
	Q242030000	ARANDELA ABANICO A5 A.304	FAN WASHER A5 A.304	2	2	2				
	Q162030000	TUERCA EXAGONAL M5	HEXAGONAL NUT M5	2	2	2				
	Q308000000	ARANDELA DUBO A.8	DUBO A.8 WASHER	14	14	14				
6	Z710316000	AMORTIGUADOR	DAMPER	2	2	2				
	Q262040000	ARANDELA GROW. A6 A.304	WASHER GROW. A6 A.304	2	2	2				
	Q162040000	TUERCA EXAGONAL M6	HEXAGONAL NUT M6	2	2	2				
	Q012073000	TORNILLO EXAGONAL M12x20	HEXAGONAL BOLT M12x20	1	1	1				
	Q306024000	JUNTA 18x12.2x1.5	SEAL 18x12.2x1.5	1	1	1				
	Q162070000	TUERCA EXAGONAL M12	HEXAGONAL NUT M12	1	1	1				
7	Z749311000	PANEL LATERAL DCHO	RIGHT SIDE PANEL	1	1	1				
	Q152004000	TORNILLO APLAST. M5x13 A304	MUSHROOM HEAD BOLT M5x13	2	2	2				
S/Nº	Z749312000	PANEL LATERAL IZDO.	LEFT SIDE PANEL	1	1	1				
	Q152004000	TORNILLO APLAST. M5x13 A304	MUSHROOM HEAD BOLT M5x13	2	2	2				
8	Z710301000	CUBA COMPLETA FI-100	COMPLETE TUB FI-100	1						ELIMINADO 20.06.08
8	Z710375000	CUBA COMPLETA FI-100	COMPLETE TUB FI-100	1						INTRODUCIDO 20.06.08
8	Z718914000	CUBA COMPLETA CLINIC	COMPLETE TUB CLINIC		1					ELIMINADO 20.06.08
8	Z718956000	CUBA COMPLETA CLINIC	COMPLETE TUB CLINIC		1					INTRODUCIDO 20.06.08
8	Z718305000	CUBA COMPLETA FI-100 AR	COMPLETE TUB FI-100			1				ELIMINADO 20.06.08
8	Z718307000	CUBA COMPLETA FI-100 AR	COMPLETE TUB FI-100			1				INTRODUCIDO 20.06.08
	Q232040000	ARANDELA A6	WASHER A6	4	4	4				
	Q302022000	ARANDELA 16x6x1.2 A.304	WASHER 16X6X1.2 A.304	4	4	4				
	Q262040000	ARANDELA GROW. A6 A.304	WASHER GROW. A6 A.304	8	8	8				
	Q162040000	TUERCA EXAGONAL M6	HEXAGONAL NUT M6	8	8	8				
9	Z712927000	PANEL FRONTAL FI-120	FRONT PANEL FI-120	1	1	1				



ITEM MARCADO EN COLOR = REPUESTO RECOMENDADO
 COLOURED ITEM = RECOMMENDED SPARE PART

N plano	Firma	Fecha	Aparato	CAPO	Lamina	Fagor Industrial S.Coop. FAGOR
C-1881	<i>(Signature)</i>	2007-07	LAVAVAJILLAS FI-100		2	Oñate

MOD.		LAVAVAJILLAS DE CAPOTA		ZONA	CAPO				PLANO	C-1881
ITEM	CODIGO	DENOMINACION	TEXTO	FI-100	FI-100B BT UK					NOTAS
1	Z710580000	CAPO COMPLETO	COMPLETE STRAIGHT HOOD	1	1					ELIMINADO 20.04,09
1	Z710557000	CAPO COMPLETO	COMPLETE STRAIGHT HOOD	1	1					INTRODUCIDO 20.04,09
	Z710515000	CASQUILLO RODANTE	REVOLVING BUSHING	4	4					
	Q271006000	ARANDELA DE SEGURIDAD 8	SAFETY WASHER 8	8	8					
2	Z200507000	PROTECTOR IMAN	MAGNET PROTECTOR	1	1					
3	Z200506000	IMAN	MAGNET	1	1					
4	Z400542000	ASA LVS.	AD HOOD HANDLE	1	1					
	Q032041000	TORNILLO ALOMADO M6x10	CURVED SCREW M6x10	2	2					
	Q308002000	ARANDELA DUBO A6 NYLON	WASHER DUBO A6 NYLON	2	2					
5	Z710542000	EJE DE GIRO	ROTARY SHAFT	2	2					
6	Z710541000	RODAMIENTO 6200-2RS1	BEARING 6200-2RS1	2	2					
7	Q308012000	ARANDELA 30x10x3	WASHER 30x10x3	2	2					
8	Z710517000	BALANCIN COMPLETO	COMPLETE ROCKER ARM	1	1					
	Q232050000	ARANDELA A8	WASHER A8	2	2					
	Q262050000	ARANDELA GROW. A8 A.304	WASHER GROW. A8 A.304	2	2					
	Q162050000	TUERCA EXAGONAL M8x1 INOX.	HEXAGONAL NUT M8x1 INOX.	2	2					
9	Z710523000	BIELA	ROD	2	2					
	Q308012000	ARANDELA 30x10x3	WASHER 30x10x3	8	8					
	Q232040000	ARANDELA A6	WASHER A6	4	4					
	Q262040000	ARANDELA GROW. A6 A.304	WASHER GROW. A6 A.304	4	4					
	Q012041000	TORNILLO EXAGON. M6x10 A.304	HEXAGONAL BOLT. M6x10 A.304	4	4					
10	Z718932000	CUBIERTA RESORTES	SPRING COVER	1	1					
11	Z710547000	JUNTA SOPORTE CAPO	HOOD SUPPORT SEAL	4	4					
	Q012053000	TORNILLO EXAGON. M8x20 A.304	HEXAGONAL BOLT. M8x20 A.304	10	10					
	Q013153000	TORNILLO EX M-8x20 LATON CRO.	HEX BOLT M-8x20 CHR. BRASS	4	4					
	Q232050000	ARANDELA A8	WASHER A8	14	14					
	Q262050000	ARANDELA GROW. A8 A.304	WASHER GROW. A8 A.304	14	14					
	Q162050000	TUERCA EXAG. M8x1 INOX.	HEXAG. SCREW M8x1 STAINLES	10	10					
12	Z710539000	SOPORTE GUIA CAPO	HOOD GUIDE SUPPORT	2	2					
13	Z710515000	CASQUILLO RODANTE	REVOLVING BUSHING	2	2					
	Q271006000	ARANDELA DE SEGURIDAD 8	SAFETY WASHER 8	4	4					

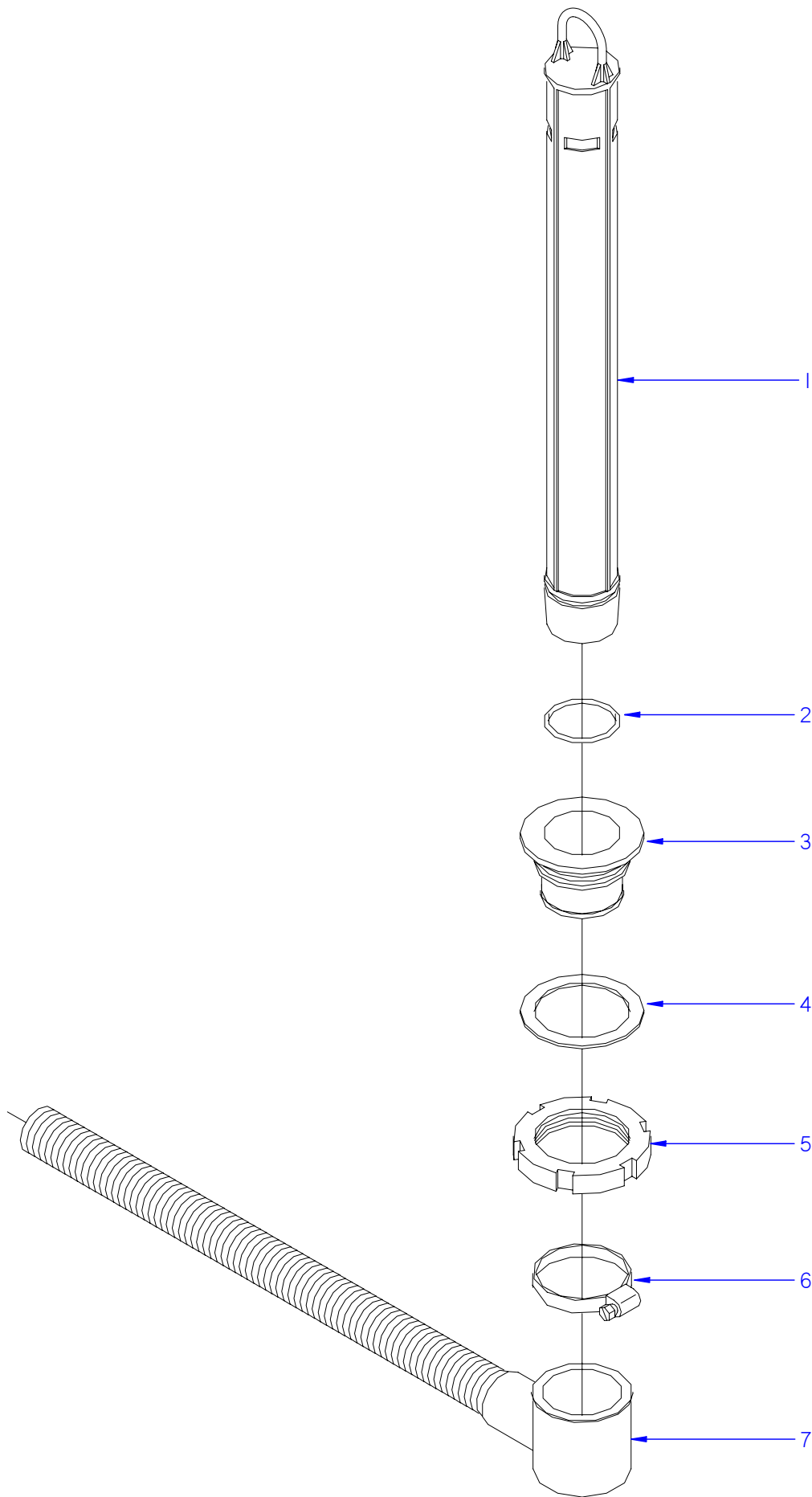


ITEM MARCADO EN COLOR = REPUESTO RECOMENDADO
COLOURED ITEM = RECOMMENDED SPARE PART

N plano	Firma	Fecha	Aparato	PARTE FUNCIONAL LAVADO	Lamina	Fagor Industrial S.Coop. FAGOR
C-1882	<i>[Signature]</i>	2007-07	LAVAVAJILLAS FI-100		3	Oñate

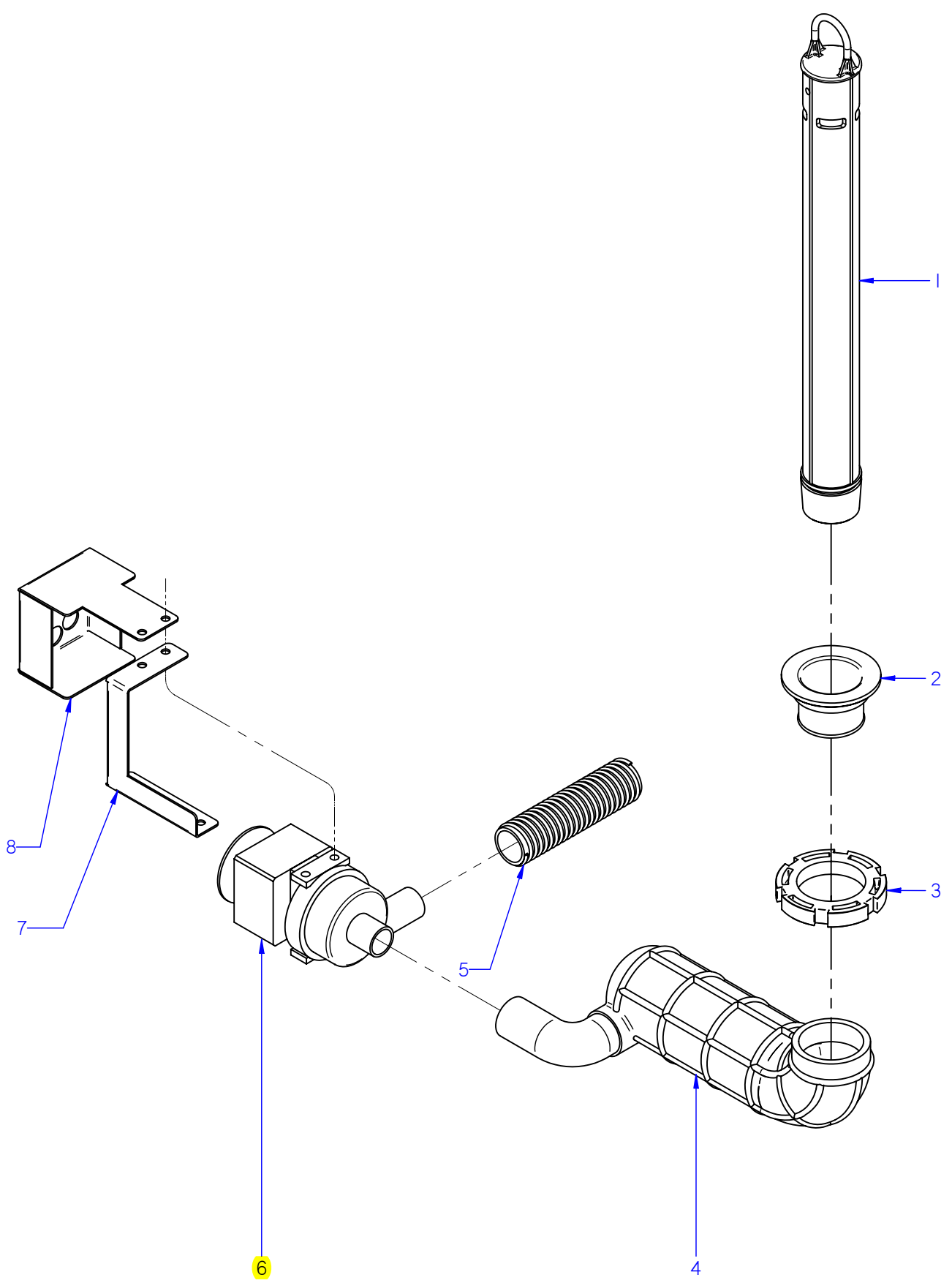
MOD.		LAVAVAJILLAS DE CAPOTA		ZONA	PARTE FUNCIONAL DE LAVADO			PLANO	C-1882	
ITEM	CODIGO	DENOMINACION	TEXTO	FI-100	FI-100B BT UK	FI-100 A.R+DD				NOTAS
1	Z710906000	CONDUCTO IMPULSION POSTER.	REAR IMPULSE PIPE	1	1	1				
	Q881307000	ABRAZADERA 40-60	CLAMP 40-60	2	2	2				
2	Z710708000	TUERCA PASAMUROS	WALL BUSHING NUT	1	1	1				
3	Q307058000	ARANDELA 60x44x2	WASHER 60x44x2	1	1	1				
4	Z740701000	PASAMUROS ARBOL LAVADO	WASH CAM BUSHING	1	1	1				
5	Z710709000	ARBOL LAVADO COMPLETO	COMPLETE WASH CAM	1	1	1				
	Q232040000	ARANDELA A6	WASHER A6	2	2	2				
	Q162040000	TUERCA EXAGONAL M6	HEXAGONAL NUT M6	2	2	2				
6	Z710705000	SOPORTE DISTRIBUIDOR SUPER.	UPPER DISTRIBUTION SUPPORT	1	1	1				
	Q152004000	TORNILLO APLAST. M5x13 A.304	MUSHROOM HEAD BOLT M5x13	1	1	1				
	Q242030000	ARANDELA ABANICO A5 A.304	FAN WASHER A5 A.304	1	1	1				
7	Z201902000	RAMA ACLARADO IZQUIERDA	LEFT RINSE BRANCH	2	2	2				
8	Z201903000	SOPORTE RAMA ACLARADO COM.	COM. RINSE BRANCH SUPPORT	2	2	2				
	Q042021000	TORNILLO AVELLAN. M4x10 A304	COUNTERSUNK BOLT M4x10 A304	4	4	4				
9	Q152016000	TORNILLO ESPECIAL M.5x0.8	SPECIAL BOLT M.5X0.8	2	2	2				
10	Z201901000	RAMA ACLARADO DERECHA	RIGHT RINSE BRANCH	2	2	2				
11	Z211903000	TOBERA ACLARADO	RINSE NOZZLE	12	12	12				
12	Z680738000	TUERCA ESPECIAL	SPECIAL NUT	2	2	2				
13	Z710712000	CASQUILLO DISTRIBUIDOR	DISTRIBUTOR BUSHING	2	2	2				
	Q032011000	TORNILLO ALOMADO M3x10	CURVED SCREW M3X10	4	4	4				
	Q242010000	ARANDELA ABANICO A3 A.304	FAN WASHER A3 A.304	4	4	4				
14	Z710701000	DISTRIBUIDOR COMPLETO	COMPLETE DISTRIBUTOR	2	2	2				
15	Z710713000	ARANDELA AMARRE	ANCHORAGE WASHER	2	2	2				
16	Z710711000	EJE CENTRAL	CENTRAL SHAFT	2	2	2				
17	Z710719000	SOPORTE DISTRIBUIDOR INFERIOR	LOWER DISTRIBUTION SUPPORT	1	1	1				
18	Z710714000	JUNTA DE GOMA	RUBBER SEAL	1	1	1				
19	Q307057000	JUNTA TORICA 47.22x54.28x3.53	O-RING 47.22x54.28x3.53	1	1	1				
	Q307050000	JUNTA TORICA 13.94x19.18x2.6	O-RING 13.94x19.18x2.6	1	1	1				

MOD.		LAVAVAJILLAS DE CAPOTA		ZONA	PARTE FUNCIONAL DE LAVADO			PLANO	C-1882	
ITEM	CODIGO	DENOMINACION	TEXTO	FI-100	FI-100B BT UK	FI-100 A.R+DD				NOTAS
20	Z710706000	PASAMUROS	BUSHING	1	1	1				
	Q012044000	TORNILLO EXAGONAL M6x25	HEXAGONAL BOLT M6x25	4	4	4				
	Q306050000	ARANDELA 6x12x1.5	WASHER 6x12x1.5	4	4	4				
	Q232040000	ARANDELA A6	WASHER A6	4	4	4				
	Q262040000	ARANDELA GROW. A6 A.304	WASHER GROW. A6 A.304	4	4	4				
	Q162040000	TUERCA EXAGONAL M6	HEXAGONAL NUT M6	4	4	4				
21	Z710905000	CONDUCTO IMPULSION ANTER.	FRONT IMPULSE PIPE	1	1	1				
	Q881307000	ABRAZADERA 40-60	CLAMP 40-60	2	2	2				
22	Z711001000	SOPOR. MOTOBOMBA ANTERIOR	SUPPORT FRONT MOTOR-PUMP	1	1	1				
	Q012042000	TORNILLO EXAGONAL M6x15	HEXAGONAL BOLT M6x15	2	2	2				
	Q232040000	ARANDELA A6	WASHER A6	2	2	2				
	Q262040000	ARANDELA GROW. A6 A.304	WASHER GROW. A6 A.304	2	2	2				
	Q162040000	TUERCA EXAGONAL M6	HEXAGONAL NUT M6	2	2	2				
23	Z201003000	BASE BOMBA LAVADO 1003016	WASH PUMP BASE 1003016	2	2	2				
	Q232040000	ARANDELA A6	WASHER A6	4	4	4				
	Q012042000	TORNILLO EXAGONAL M6x15	HEXAGONAL BOLT M6x15	4	4	4				
24	Z201011000	BOMBA DE LAVADO	WASH PUMP	2	2	2				
24	Z203511000	BOMBA DE LAVADO 60 HZ.	WASH PUMP 60 Hz.	2	2	2				
25	V321300000	CONDENSADOR 10 M,F,	CONDENSER 10 M,F,	2	2	2				
	Q162050000	TUERCA EXAGONAL M8x1 INOX,	HEXAGONAL NUT M8x1 INOX.	2	2	2				
26	Z710904000	CONDUCTO ASPIRACION	EXTRACTOR PIPE	2	2	2				
	Q881307000	ABRAZADERA 40-60	CLAMP 40-60	4	4	4				
27	Z710708000	TUERCA PASAMUROS	WALL BUSHING NUT	2	2	2				
28	Q307058000	ARANDELA 60x44x2	WASHER 60x44x2	2	2	2				
29	Z710903000	PASAMUROS ASPIRACION	EXTRACTOR BUSHING	2	2	2				
30	Z711002000	SOPORTE MOTOBOMBA POSTER.	REAR MOTOR PUMP SUPPORT	1	1	1				
	Q012042000	TORNILLO EXAGONAL M6x15	HEXAGONAL BOLT M6x15	2	2	2				
	Q232040000	ARANDELA A6	WASHER A6	2	2	2				
	Q262040000	ARANDELA GROW. A6 A.304	WASHER GROW. A6 A.304	2	2	2				
	Q162040000	TUERCA EXAGONAL M6	HEXAGONAL NUT M6	2	2	2				



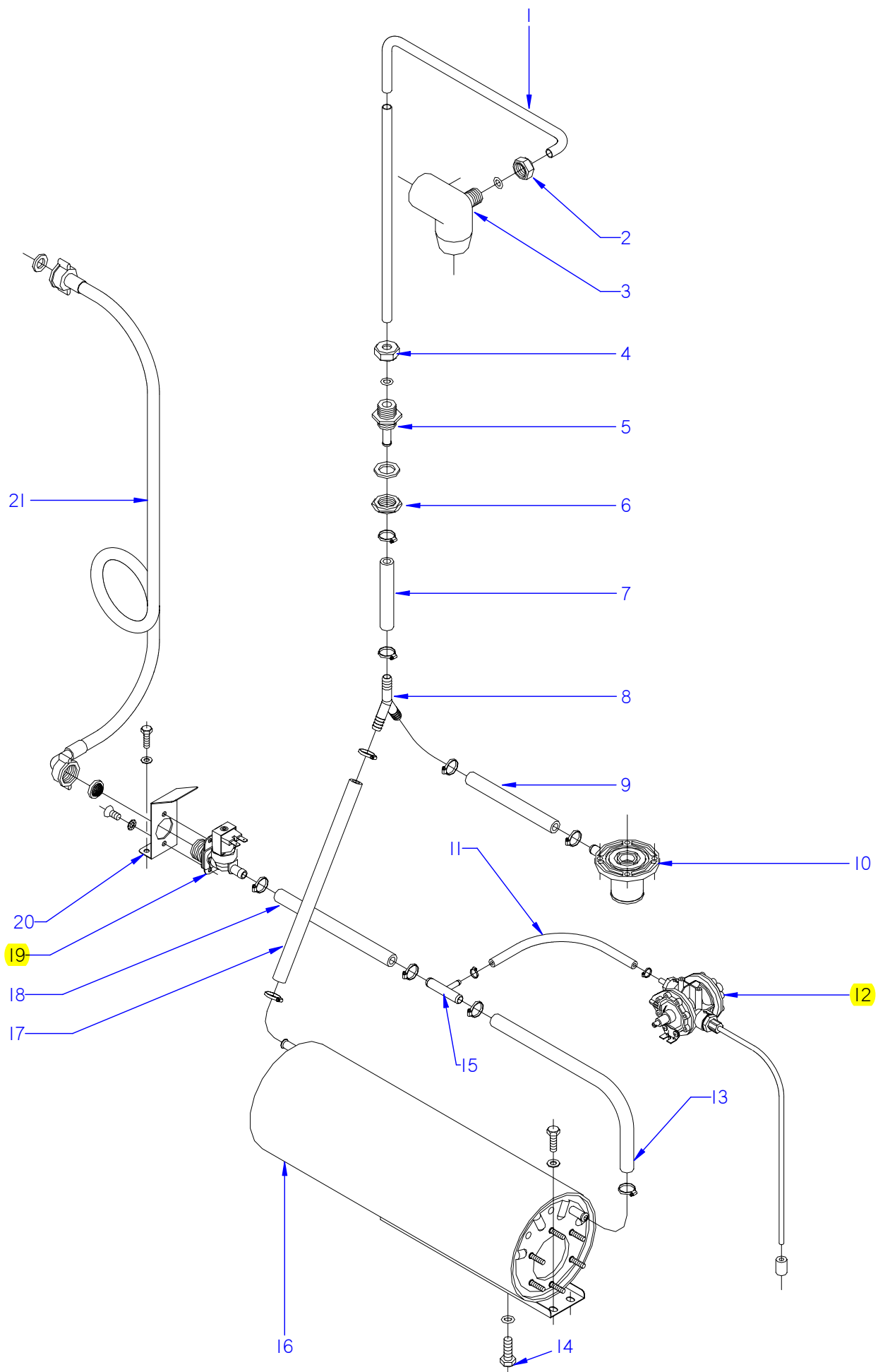
ITEM MARCADO EN COLOR = REPUESTO RECOMENDADO
 COLOURED ITEM = RECOMMENDED SPARE PART

N plano	Firma	Fecha	Aparato	PARTE FUNCIONAL DESAGUE	Lamina	Fagor Industrial S.Coop. FAGOR
C-1883	<i>[Signature]</i>	2007-07	LAVAVAJILLAS	FI-100	4	Oñate



ITEM MARCADO EN COLOR = REPUESTO RECOMENDADO
 COLOURED ITEM = RECOMMENDED SPARE PART

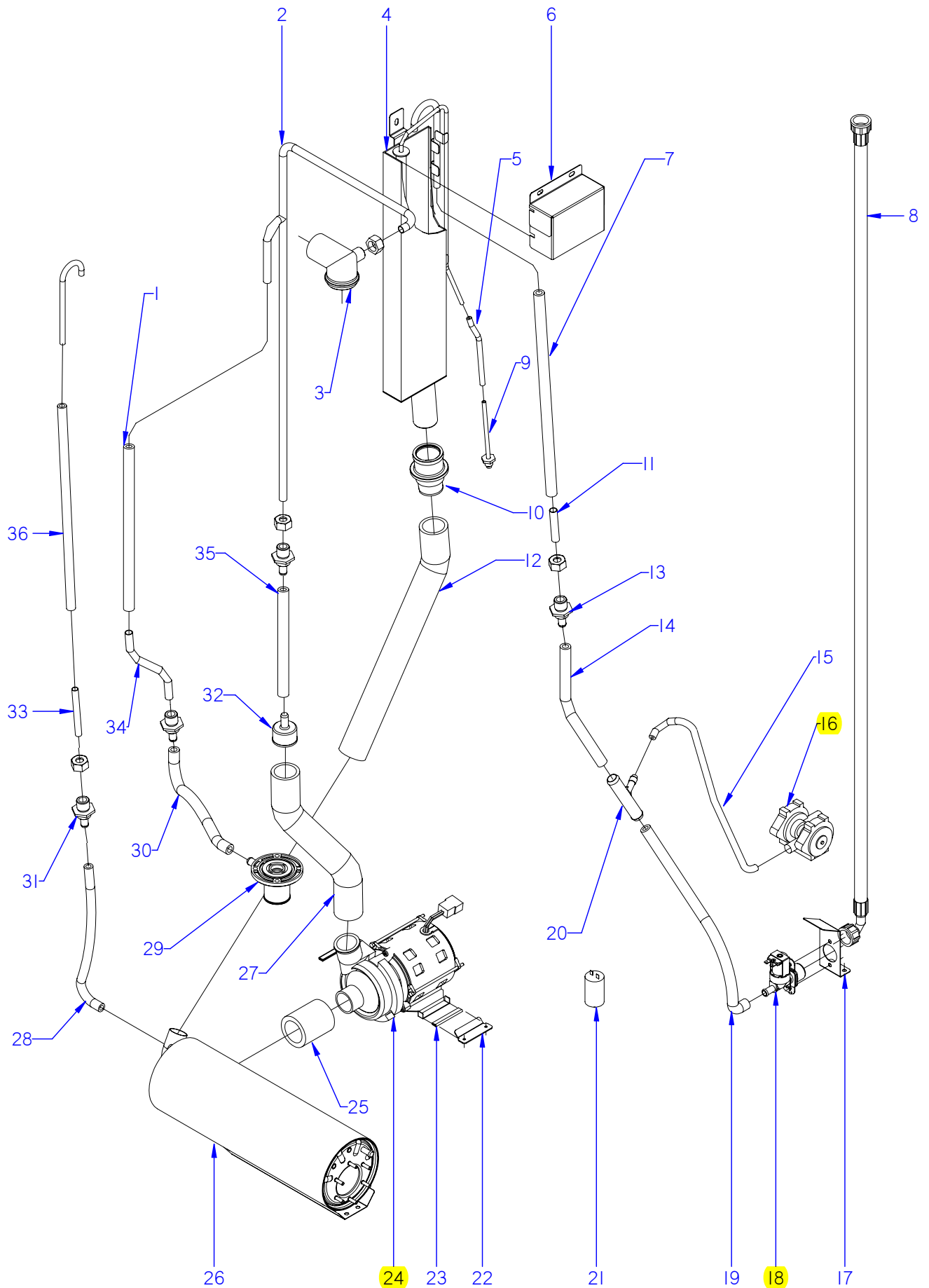
N plano	Firma	Fecha	Aparato	PARTE FUNCIONAL DESAGUE	Lamina	Fagor Industrial S.Coop. FAGOR
C-1884	<i>[Signature]</i>	2007-07	LAVAVAJIL. FI-100B BT UK; FI-100B		5	Oñate



ITEM MARCADO EN COLOR = REPUESTO RECOMENDADO
 COLOURED ITEM = RECOMMENDED SPARE PART

N plano	Firma	Fecha	Aparato	PARTE FUNCIONAL ACLARADO	Lamina	Fagor Industrial S.Coop. FAGOR
C-1885	<i>[Signature]</i>	2007-07	LAVAVAJILLAS FI-100		6	Oñate

MOD.		LAVAVAJILLAS DE CAPOTA		ZONA	PARTE FUNCIONAL ACLARADO					PLANO	C-1885
ITEM	CODIGO	DENOMINACION	TEXTO	FI-100							NOTAS
1	Z711903000	CONDUCCION ACLARADO COMP.	COMP. RINSE PIPE	1							
2	Q223107000	TUERCA M.20x2.5	NUT M.20X2.5	1							
	Q307048000	JUNTA TORICA Ø9.12X16.18X3.53	O-RING Ø9.12X16.18X3.53	1							
3	Z710705000	SOPORTE DISTRIBUIDOR SUPER.	UPPER DISTRIBUTION SUPPORT	1							
	Q152004000	TORNILLO APLAST. M5x13 A.304	MUSHROOM HEAD BOLT M5x13	1							
	Q242030000	ARANDELA ABANICO A5 A.304	FAN WASHER A5 A.304	1							
4	Q223107000	TUERCA M.20x2.5	NUT M.20X2.5	1							
	Q307048000	JUNTA TORICA Ø9.12X16.18X3.53	O-RING Ø9.12X16.18X3.53	1							
5	Z711904000	PASAMUROS ACLARADO	RINSE BUSHING	1							
	Q307032000	JUNTA Ø 32X21X3	SEAL Ø 32X21X3	1							
6	Q223023000	TUERCA EXAGONAL 5-8 LATON	HEX NUT 5-8 BRASS	1							
7	3676900000	TUBO GOMA NEGRA Ø 17*10	BLACK RUBBER PIPE 17*10	1							
	Q881302000	ABRAZADERA 12-20	CLAMP 12-20	2							
8	Z201106000	RACORD EN Y	Y-CONNECTION	1							
9	3676900000	TUBO GOMA NEGRA Ø 17*10	BLACK RUBBER PIPE 17*10	1							
	Q881302000	ABRAZADERA 12-20	CLAMP 12-20	2							
10	Z710706000	PASAMUROS	BUSHING	1							
	Q012044000	TORNILLO EXAGONAL M6x25	HEXAGONAL BOLT M6x25	4							
	Q306050000	ARANDELA 6x12x1.5	WASHER 6x12x1.5	4							
	Q232040000	ARANDELA A6	WASHER A6	4							
	Q262040000	ARANDELA GROW. A6 A.304	WASHER GROW. A6 A.304	4							
	Q162040000	TUERCA EXAGONAL M6	HEXAGONAL NUT M6	4							
11	3704000000	TUBO GOMA NEGRO D 10,5*5	BLACK RUBBER PIPE Ø 10.5*5	1							
	Q881308000	ABRAZADERA 8-14L	CLAMP 8-14L	2							
12	Z651123000	DOSIFICADOR TENSOACTIVO N-6	SURFACE ACT. DISP. N-6	1							ELIMINADO 03.04.09
12	Z211109000	DOSIFICADOR TENSOACTIVO N-6	SURFACE ACT. DISP. N-6	1							INTRODUCIDO 03.04.09
12	Z651123000	DOSIFICADOR TENSOACTIVO		1							
S/Nº	Z448618000	CONDUCTO ABRILLANTADOR	RINSE AID PIPE	1							INTRODUCIDO 03.04.09
	Q232030000	ARANDELA A5	WASHER A5	2							
	Q012031000	TORNIL. EXAGONAL M5x10 A.304	HEXAGONAL BOLT M5X10 A.304	4							

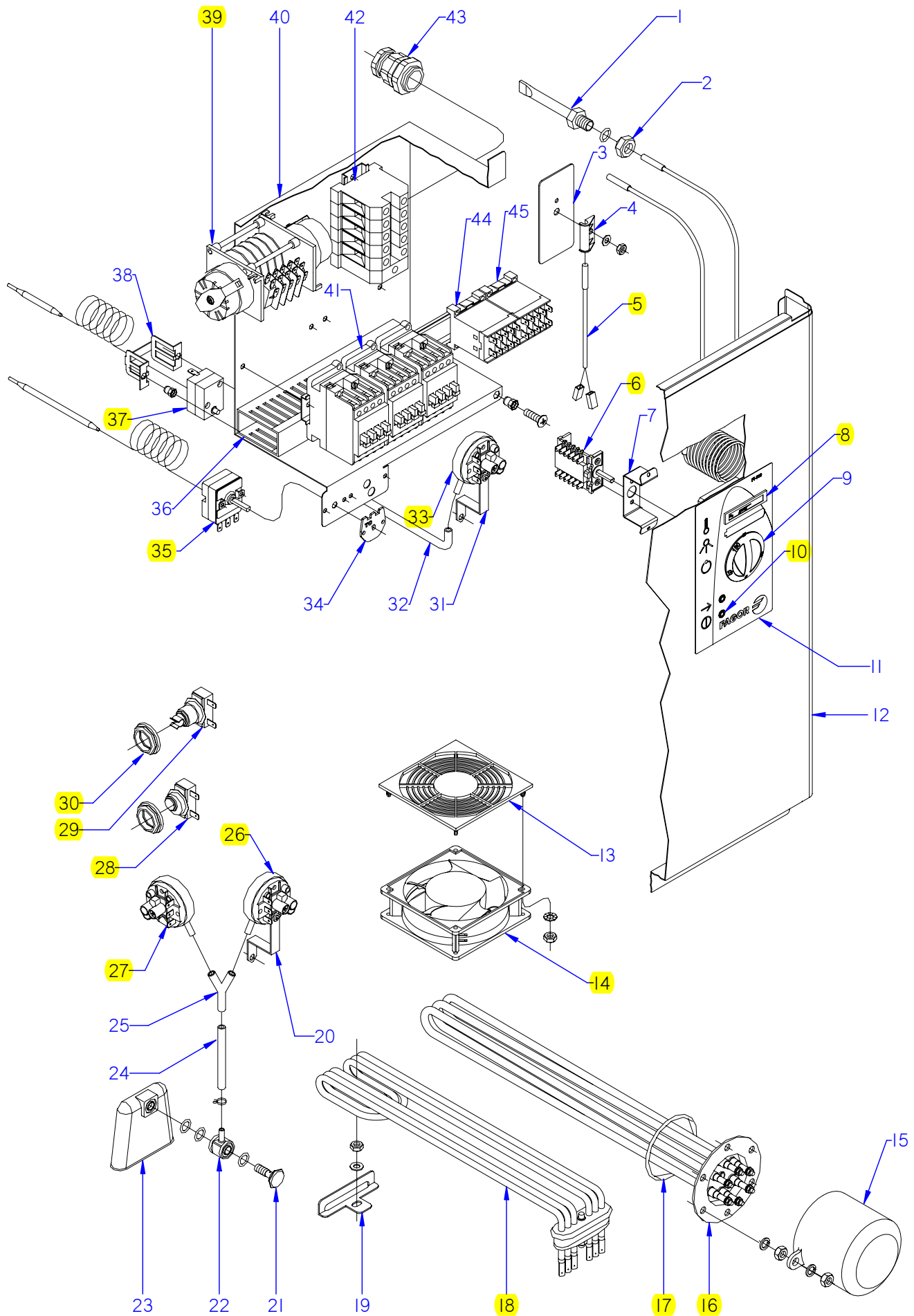


ITEM MARCADO EN COLOR = REPUESTO RECOMENDADO
 COLOURED ITEM = RECOMMENDED SPARE PART

N plano	Firma	Fecha	Aparato	PARTE FUNCIONAL DE ACLARADO	Lamina	Fagor Industrial S.Coop. FAGOR
C-1886	<i>[Signature]</i>	2007-07	LAVAVAJILLAS FI-100B BT UK		7	Oñate

MOD.		LAVAVAJILLAS DE CAPOTA		ZONA	PARTE FUNCIONAL DE ACLARADO				PLANO	C-1886
ITEM	CODIGO	DENOMINACION	TEXTO	FI-100B BT UK					NOTAS	
1	3676900000	TUBO GOMA NEGRA Ø 17*10	BLACK RUBBER PIPE 17*10	1						
	Q881302000	ABRAZADERA 12-20	CLAMP 12-20	2						
2	Z718911000	RAMA DE ACLARADO CLINIC	CLINIC RINSE BRANCH	1						
3	Z710705000	SOPORTE DISTRIBUIDOR SUPER.	UPPER DISTRIBUTION SUPPORT	1						
4	Z718909000	DEPOSITO CLINIC COMPLETO	CLINIC COMPLETE TANK	1						
5	3702400000	TUBO DE GOMA Ø 8*4 x140	BLACK RUBBER PIPE Ø 8*4	1						
	P102154000	BRIDA ELASTICA TUBO	ELASTIC PIPE FLANGE	2						
6	Z718915000	TAPA DEPOSITO CLINIC	TANK COVER	1						
	Q262040000	ARANDELA GROW. A6 A.304	WASHER GROW. A6 A.304	3						
	Q162040000	TUERCA EXAGONAL M6	HEXAGONAL NUT M6	3						
7	3676900000	TUBO GOMA NEGRA Ø 17*10	BLACK RUBBER PIPE 17*10	1						
	Q881302000	ABRAZADERA 12*20	CLAMP 12-20	2						
8	Z602121000	MANGUERA ENTRADA DE AGUA	WATER INTAKE HOSE	1						
9	Z718918000	PASAMUROS PRES. CLINIC	PRES. CLINIC BUSHING	1						
10	Z330751000	PASAMUROS IMPULSION PRELAV.	IMPULSE PRELAV BUSHING	1					ELIMINADO 31.03.09	
10	Z330790000	PASAMUROS IMPULSION PRELAV.	IMPULSE PRELAV BUSHING	1					INTRODUCIDO 31.03.09	
	Q306024000	JUNTA 18x12.5x1.5	SEAL 18x12.5x1.5	1						
10	Z330751000	PASAMUROS IMPULSION PRELAV.		1						
	Q307065000	JUNTA TORICA 43,01x37,77x2,62	O-RING 43,01x37,77x2,62	1						
	Z710708000	TUERCA PASAMUROS	BUSHING NUT	1						
	Q307058000	ARANDELA 60x44x2	WASHER 60x44x2	1						
	Q881307000	ABRAZADERA 40*60	CLAMP 40*60	1						
11	Z718910000	TUBO ENTRADA AGUA	WATER INTAKE PIPE	1						
	Q307048000	JUNTA TORICA 9.12x16.18x3.53	O-RING Ø9.12X16.18X3.53	4						
12	Z718925000	CONDUCTO DEPOSITO-CALDERIN	DUCT-CALDERIN DEPOSIT	1						
	Q881307000	ABRAZADERA 40*60	CLAMP 40*60	2						
13	Z711904000	PASAMUROS ACLARADO	RINSE BUSHING	2						
	Q307032000	JUNTA 32x21x3	SEAL Ø 32X21X3	2						
	Q223023000	TUERCA EXAGONAL 5-8 LATON	HEX NUT 5-8 BRASS	2						
14	3676900000	TUBO GOMA NEGRA 17*10	BLACK RUBBER PIPE 17*10	1						
	Q881302000	ABRAZADERA 12*20	CLAMP 12-20	4						

MOD.		LAVAVAJILLAS DE CAPOTA		ZONA	PARTE FUNCIONAL DE ACLARADO				PLANO	C-1886
ITEM	CODIGO	DENOMINACION	TEXTO	FI-100B BT UK						NOTAS
15	3704000000	TUBO GOMA NEGRA Ø10,5*5	BLACK RUBBER PIPE Ø10,5*5	1						
	Q881308000	ABRAZADERA 8-14L	CLAMP 8-14L	2						
16	Z651123000	DOSIFICADOR TENSOACTIVO N-6	SURFACE ACT. DISP. N-6	1						ELIMINADO 03.04.09
17	Z201101000	ESCUADRA AMARRE ELECTROVA	SOLENOID VALVE BRACKET	1						
	Q152024000	TORNILLO AVELLAN. M4x8 A304	COUNTERSUNK NUT M4x8 A304	2						
	Q242020000	ARANDELA ABANICO A.4 A304	FAN WASHER A4 A.304	2						
	Q012031000	TORNILLO EXAGONAL. M5x10 A304	HEXAGONAL BOLT M5X10 A.304	2						
	Q232030000	ARANDELA A5	WASHER A5	2						
18	Z701135000	E.V. SIMPLE 0V COD. 255.208	SOLENOID VALVE SIMP. 0V COD.	1						
	Z841107000	REGULAD. ENTRADA 10L 254.067	REGULATOR 10L 254.067	1						
19	3676900000	TUBO GOMA NEGRA 17*10	BLACK RUBBER PIPE Ø 17*10	1						
	Q881302000	ABRAZADERA 12*20	CLAMP 12-20	4						
20	Z601157000	TOMA PRESION	PRESSURE INTAKE	1						ELIMINADO 01.04.08
20	Z718949000	TE COMP. TOMA PRESION ABR	PRESSURE INTAKE TE ABR	1						INTRODUCIDO 01.04.08
21	V817100000	CONDENSADOR 6 M,F,	CONDENSER 6 M,F,	1						
	Q162050000	TUERCA EXAGONAL M8x1 INOX,	HEXAGONAL NUT M6	1						
22	Z718931000	SOPORTE MOTOBOMBA CLINIC	CLINIC M-PUMP SUPPORT	1						
	Q152024000	TORNILLO AVELLAN. M4x8 A304	COUNTERSUNK NUT M4x8 A304	2						
23	3701700000	PERFIL GOMA NEGRO EN U 9*4	BLACK RUBBER PROFILE U 9*4	2						
24	Z401001000	BOMBA LAVADO	WASH PUMP	1						
25	Z162301000	CONDUCTO ASPIRAC. IMPULSION	EXTRACTOR PIPE - IMPULSE	1						
	Q881307000	ABRAZADERA 40*60	CLAMP 40*60	2						
26	Z258916000	CALDERIN COMPLETO BBT.	COMPLETE DRUM BBT	1						
27	Z718935000	CONDUCTO IMPULSION CLINIC	CLINIC IMPULSE PIPE	1						
	Q881307000	ABRAZADERA 40*60	CLAMP 40*60	2						
28	3676900000	TUBO GOMA NEGRA 17*10	BLACK RUBBER PIPE Ø 17*10	1						
	Q881302000	ABRAZADERA 12*20	CLAMP 12-20	2						
29	Z710706000	PASAMUROS	BUSHING	1						



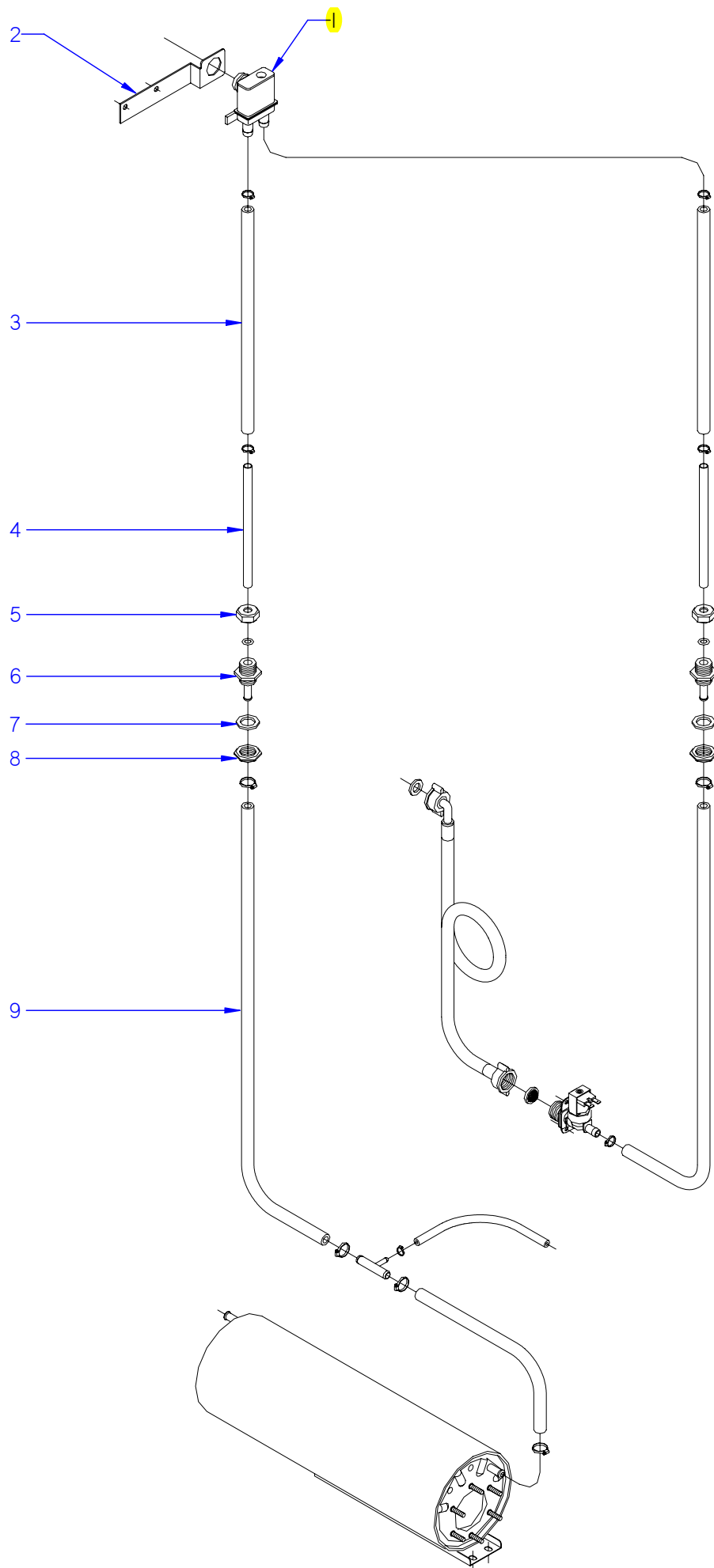
ITEM MARCADO EN COLOR = REPUESTO RECOMENDADO
 COLOURED ITEM = RECOMMENDED SPARE PART

N plano	Firma	Fecha	Aparato	PARTE FUNCIONAL ELECTRICA	Lamina	Fagor Industrial S.Coop. FAGOR
C-1887	<i>[Signature]</i>	2007-07	LAVAVAJILLAS FI-100		8	Oñate

MOD.		LAVAVAJILLAS DE CAPOTA		ZONA	PARTE FUNCIONAL ELECTRICA			PLANO	C-1887	
ITEM	CODIGO	DENOMINACION	TEXTO	FI-100	FI-100B BT UK	FI-100 B				NOTAS
1	Z263002000	VAINA INDICADOR COMPLETA	COMPLETE INDICATOR SHELL	1	1	1				
	Q307048000	JUNTA TORICA Ø16,18xØ9,12xØ3,53	O-RING 18x12.5x1.5	1	1	1				
2	Q162070000	TUERCA EXAGONAL M-12	HEXAGONAL NUT M12	1	1	1				
3	Z101211000	APOYO INTERRUPTOR	SWITCH SUPPORT	1	1	1				
4	Z203010000	AMARRE INTERRUPTOR MAGNET.	MAGNETIC SWITCH FASTENER	1	1	1				
	Q232040000	ARANDELA A-6	WASHER A-6	1	1	1				
	Q162040000	TUERCA EXAGONAL M-6	HEXAGONAL NUT M-6	1	1	1				
5	Z203009000	INTERRUPTOR MAGNETICO	MAGNETIC SWITCH	1	1	1				
6	Z683085000	CONMUTADOR FUNCIONES	SWITCH	1	-	-				
6	Z713097000	CONMUTADOR	SWITCH	-	1	1				
	Q152024000	TORN. AVELLANADO M4x8 A.304	HEXAGONAL COUNTERSUNK M4	2	2	2				
7	Z712932000	SOPOR. CONMUTADOR CAPOTA	HOOD BRACKET SWITCH	1	1	1				
	Q419005000	REMACHE 4x8 ALMG3 / ALUMINIO	RIVET 4x8 ALMG3 / ALUMINIO	2	2	2				
8	Z203072000	INDICADOR ANALOGICO	ANALOG INDICATOR	2	2	2				
9	Z713091000	BOTON DE MANDO 100/120	CONTROL BUTTON 100/120	1	-	-				
9	Z713099000	BOTON DE MANDO B	CONTROL BUTTON B	-	1	1				
10	Z203079000	PILOTO AMBAR Ø10		2	2	2				
11	Z712916000	EMBELLECED. ADHESIVO FI-100	ADHESIVE TRIM FI-100	1	-	-				
11	Z712934000	EMBELL. ADHESIVO FI-100B BT UK	ADHESIVE TRIM FI-100B BT UK	-	1	-				
11	Z712930000	EMBELLECED. ADHESIVO FI-100B	ADHESIVE TRIM FI-100B	-	-	1				
12	Z712927000	PANEL FRONTAL FI-120	FRONT PANELFI-120	1	1	1				
13	Z713015000	PROTECCION VENTILADOR ABS	FAN PROTECTION	1	1	1				
	Q042022000	TORNILLO AVELLANADO M4x15	COUNTERSUNK BOLT M4x15	8	8	8				
	Q162020000	TUERCA EXAGONAL M4	HEXAGONAL NUT M4	12	12	12				
	Q242020000	ARANDELA ABANICO A-4 A304	FAN WASHER A-4 A304	8	8	8				
14	Z103066000	VENTILADOR 230V,50/60 HZ	FAN 230V,50/60 HZ	1	1	1				
15	Z651731000	CAPERUZA RESISTEN. CALDERIN	DRUM RESIST. CAP	1	1	1				
	Q163140000	TUERCA EXAGONAL M6 LATON	HEXAGONAL NUT M6 BRASS	2	2	2				
	Q012031000	TORNIL. EXAGONAL M5x10 A.304	HEXAGONAL BOLT M5X10 A.304	2	2	2				

MOD.		LAVAVAJILLAS DE CAPOTA		ZONA	PARTE FUNCIONAL ELECTRICA			PLANO	C-1887	
ITEM	CODIGO	DENOMINACION	TEXTO	FI-100	FI-100B BT UK	FI-100 B				NOTAS
16	Z721701000	RESISTENCIA CALDERIN	DRUM RESISTOR	1	1	1				
	Q221305000	TUERCA EX, AUTO. M4 ZINCADA	HEX NUT , AUTO. M4 ZINC-COAT	6	6	6				
	Q163140000	TUERCA EXAGONAL M6 LATON	HEXAGONAL NUT M6 BRASS	6	6	6				
	Q262040000	ARANDELA GROW. A6 A,304	WASHER GROW. A6 A.304	6	6	6				
17	Q307035000	JUNTA TORICA AN-36 282333	O-RING AN-36 282333	1	1	1				
18	Z743601000	RESISTENCIA TANQUE	TANK RESISTOR	1	1	1				
19	Z743602000	SOPORTE RESISTENCIA TANQUE	TANK RESISTOR SUPPORT	1	1	1				
	Q232040000	ARANDELA A,6	WASHER A,6	1	1	1				
	Q162040000	TUERCA EXAGONAL M6	HEXAGONAL NUT M6	1	1	1				
20	Z602923000	SOPORTE PRESOSTATO	PRESSURE SWITCH SUPPORT	1	1	1				
	Q082032000	TORNILLO ALOMADO BZ-3,5x9,5	CURVED SCREW BZ-3.5x9.5	1	1	1				
	Q162040000	TUERCA EXAGONAL M6	HEXAGONAL NUT M6	1	1	1				
	Q232040000	ARANDELA A6	WASHER A6	1	1	1				
21	Z203013000	TORNILLO PRESOSTATO	PRESSURE SWITCH BOLT	1	1	1				
22	Z203012000	EMPALME PRESOSTATO	PRESSURE SWITCH CONNEX	1	1	1				
	Q307003000	JUNTA TOR.16,01x10,77x2,62	O-RING 16.01X10.77X2.62	3	3	3				
23	Z203011000	CAMARA PRESOSTATO	PRESSURE SWITCH	1	1	1				
24	3702400000	TUBO DE GOMA 8x4 D8*4	BLACK RUBBER PIPE Ø 8*4	1	1	1				
	P102154000	BRIDA ELASTICA TUBO	ELASTIC PIPE FLANGE	2	2	2				
25	Z103077000	RACORD EN Y	Y-CONNECTION	—	1	1				
26	Z713002000	PRESOSTATO SIMPLE	SIMPLE PRESSURE SWITCH	1	1	1				
27	Z713098000	PRESOTATO SEGURIDAD	SECURITY PRESOTATO	—	1	1				
28	Z718405000	TERMOSTATO DOBLE	DOUBLE THERMOSTAT	1	1	1				
29	R213004000	TERMOSTATO REARME MANUAL	MANUAL RESET THERMOSTAT	1	1	1				
30	N503017000	SOPORTE TERMOSTATO 1001713	THERMOSTAT SUPPORT 100171	2	2	2				
31	Z602923000	SOPORTE PRESOSTATO	PRESSURE SWITCH SUPPORT	—	1	—				
	Q152004000	TORNILLO APLAST. M5x13 A 304	FLAT HEADED BOLT M5x13	—	1	—				
	Q082032000	TORNILLO ALOMADO BZ-3,5x9,5	CURVED SCREW BZ-3.5x9.5	—	2	—				
	Q162030000	TUERCA EXAGONAL M5	HEXAGONAL NUT M6	—	1	—				
	Q242030000	ARANDELA ABANICO A-5 A304	FAN WASHER A-5 A304	—	1	—				

MOD.		LAVAVAJILLAS DE CAPOTA		ZONA	PARTE FUNCIONAL ELECTRICA			PLANO	C-1887	
ITEM	CODIGO	DENOMINACION	TEXTO	FI-100	FI-100B BT UK	FI-100 B				NOTAS
32	3702400000	TUBO DE GOMA 8x4 D8*4	BLACK RUBBER PIPE Ø 8*4	-	1	-				
	P102154000	BRIDA ELASTICA TUBO	ELASTIC PIPE FLANGE	-	2	-				
33	Z213059000	TRIPLE PRESOTATO 40-120-150	TRIPLE PRESOTATO 40-120-15	-	1	-				
34	Z208438000	CHAPA W TC 90°C	PLATE W TC 90°C	-	1	-				
35	Z203014000	TERMOSTATO CALDERIN	WASH DRUM THERMOSTAT	1	1	1				
	Q152024000	TORNILLO AVELLANADO M4x8	COUNTERSUNK BOLT M4x8	2	2	2				
36	3715520000	CANALETA UNEX 60,30,77	PIPING UNEX 60.30.77	3	3	3				
	Q419005000	REMACHE 4x8 ALMG3 / ALUMINIO	RIVET 4X8 ALMG3 / ALUMINIUM	4	4	4				
	Q221342000	REMACHE EXAGONAL M5	HEXAGONAL RIVET M5	1	1	1				
	Q232040000	ARANDELA A6	WASHER A6	2	2	2				
	Q162040000	TUERCA EXAGONAL M6	HEXAGONAL NUT M6	2	2	2				
	Q152004000	TORNILL, APLASTADO M5x13 A304	FLAT HEADED BOLT M5x13 A304	1	1	1				
	Z713035000	REGLETA 6 mm.	TERMINAL 6 mm.	1	1	1				
	R693010000	REGLETA 2,5MM TEKOX1106PL	TERMINAL 2,5MM TEKOX1106PL	-	1	-				
37	Z213014000	LIMITADOR TECASA P.	LIMITER TECASA P.	1	1	1				
38	Z203060000	AMARRE LIMITADOR TECASA	LIMITER FASTENING TECASA	1	1	1				
	Q221341000	REMACHE EXAGONAL M4	HEXAGONAL RIVET M4	2	2	2				
	Q152024000	TORNILLO AVELLANADO M4x8	COUNTERSUNK BOLT M4X8	2	2	2				
39	Z713055000	PROGRAMADOR CICLO 50HZ	PROGRAMMER 50HZ	1	-	1				
39	Z713039000	PROGRAMAD. CICLO 5LEVAS 60HZ	PROGRAMMER 5LEVAS 60HZ	1	-	1				
39	Z718937000	PROGRAMADOR 50HZ 6 LEVAS	PROGRAMMER 50HZ 6 LEVAS	-	1	-				
	Q042022000	TORNILLO AVELLANADO M4x15	COUNTERSUNK BOLT M4X15	2	2	2				
	Q221341000	REMACHE EXAGONAL M4	HEXAGONAL RIVET M4	2	2	2				
40	Z713037000	CAJA CUADRO ELECTRICO	SWITCHBOARD BOX	1	1	1				
41	Z203050000	CONTAC. SIRIUS 3R 230V.50-60	CONT. SIRIUS 3RT10 16-2AP02	3	3	3				
42	Z683069000	BORNA 16	TERMINAL 16	3	3	3				
	Z683097000	BORNA PASO WDU16 10204,8	STEP TERMINAL WDU16 10204.8	1	1	1				
	Z683070000	BORNA A TIERRA WEIDMULLER	TERMINAL TO EARTH WEIDMULLER	1	1	1				
	Z683068000	SEÑALIZ.DEK-6WEIDMULLER	SIGNS DEK-6WEIDMULLER	1	1	1				
	Z683096000	TOPE FINAL WEW35 10590.0	FINAL STOP WEW35 10590.0	1	1	1				



ITEM MARCADO EN COLOR = REPUESTO RECOMENDADO
 COLOURED ITEM = RECOMMENDED SPARE PART

N plano	Firma	Fecha	Aparato	Lamina	Fagor Industrial S.Coop. FAGOR
C-1888	<i>[Signature]</i>	2007-07	VALVULA ANTIRRETORNO LAVAVAJILLAS FI-100 A.R.	9	Oñate

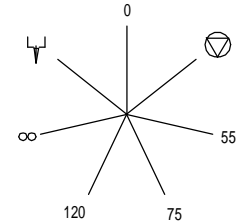
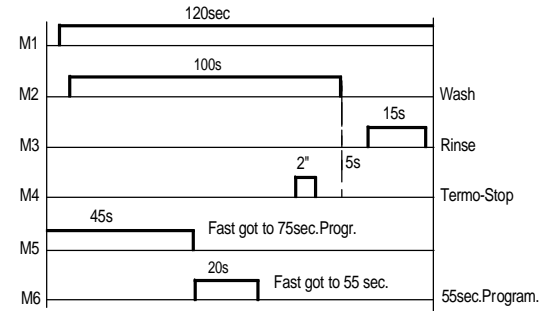
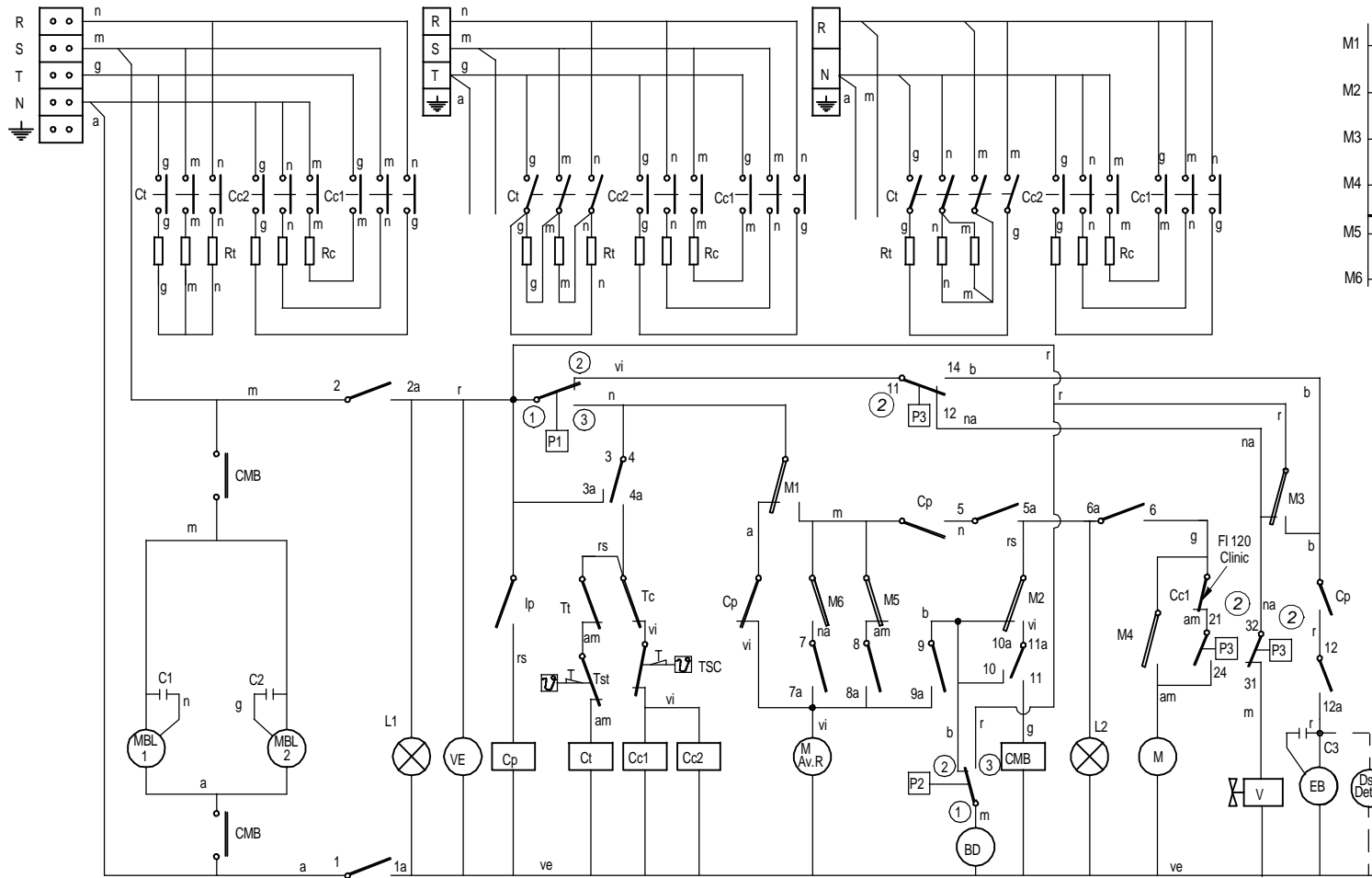
MOD.		LAVAVAJILLAS DE CAPOTA		ZONA	PIEZAS ESPECIFICAS PARA CULION					PLANO	
ITEM	CODIGO	DENOMINACION	TEXTO	VDS-120							NOTAS
	Z718002000	CUBA COM. EDESA LC-1000-1200		1							
	Z748009000	CAPO COMPLETO EDESA		1							
	Z200550000	ASA PUERTA COMPLETA		1							
	Z714502000	ADHESIVO CAPO CULION		1							
	Z711004000	ACUMULADOR CAPOTA 1503541		1							
	Z220903000	MANGUERA DESAGÜE		1							
	Z711005000	SOPORTE MOTOBOMBA		1							
	Z711006000	PROTECCION BOMBA		1							
	Z711007000	BOMBA DESAGUE		1							
	Z748012000	PANEL FRONTAL EDESA COMPL.		1							
	Z714501000	EMBELLECEDOR ADHES. VDS 120		1							
	R663056000	BUPIPONS AUTOADHESIVO		4							
	Z218011000	PRG. GICAR C.TECLADO		1							
	Z218013000	CABLEADO GICAR		1							
	P623017000	INTERRUPTOR GENERAL C.I.		1							
	R663036000	FIJACION CIRCUITO		7							
	Z218017000	SOPORTE PILOTOS COMPLETO		1							
	R693056000	PILOTO AMBAR 41227000A4		1							
	Z218012000	PRG. GICAR C.RELES		1							
	T133007000	DISTANCIADOR M3		4							
	Z718005000	SOPORTE COMPONENTES COMP.		1							
	T302829000	DISTANCIADOR COMPONENTES		3							
	Z268003000	TERMOMETRO GICAR		1							
	Z268004000	SONDAS TEMPERATURA GICAR		2							
	Z748008000	SOPORTE BULBO TERMOSTATO		1							
	Z718004000	AMARRE SONDA		1							
	Z713098000	PRESOSTATO SEGURIDAD		1							
	Z103077000	RACORD EN Y		1							
	P443060000	TAPON		1							
	Z203014000	TERMOSTATO CALDERIN		1							
	Z748027000	REGU. TERMOS. TANQUE 60 °C		1							

FI 120 CLINIC LINE, FI 100B BT

3N ~ 380/415V.

3 ~ 230V.

1N ~ 240V.

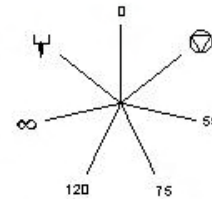
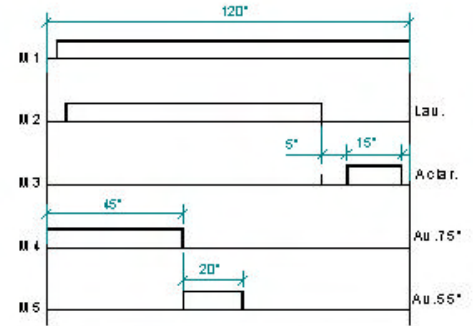
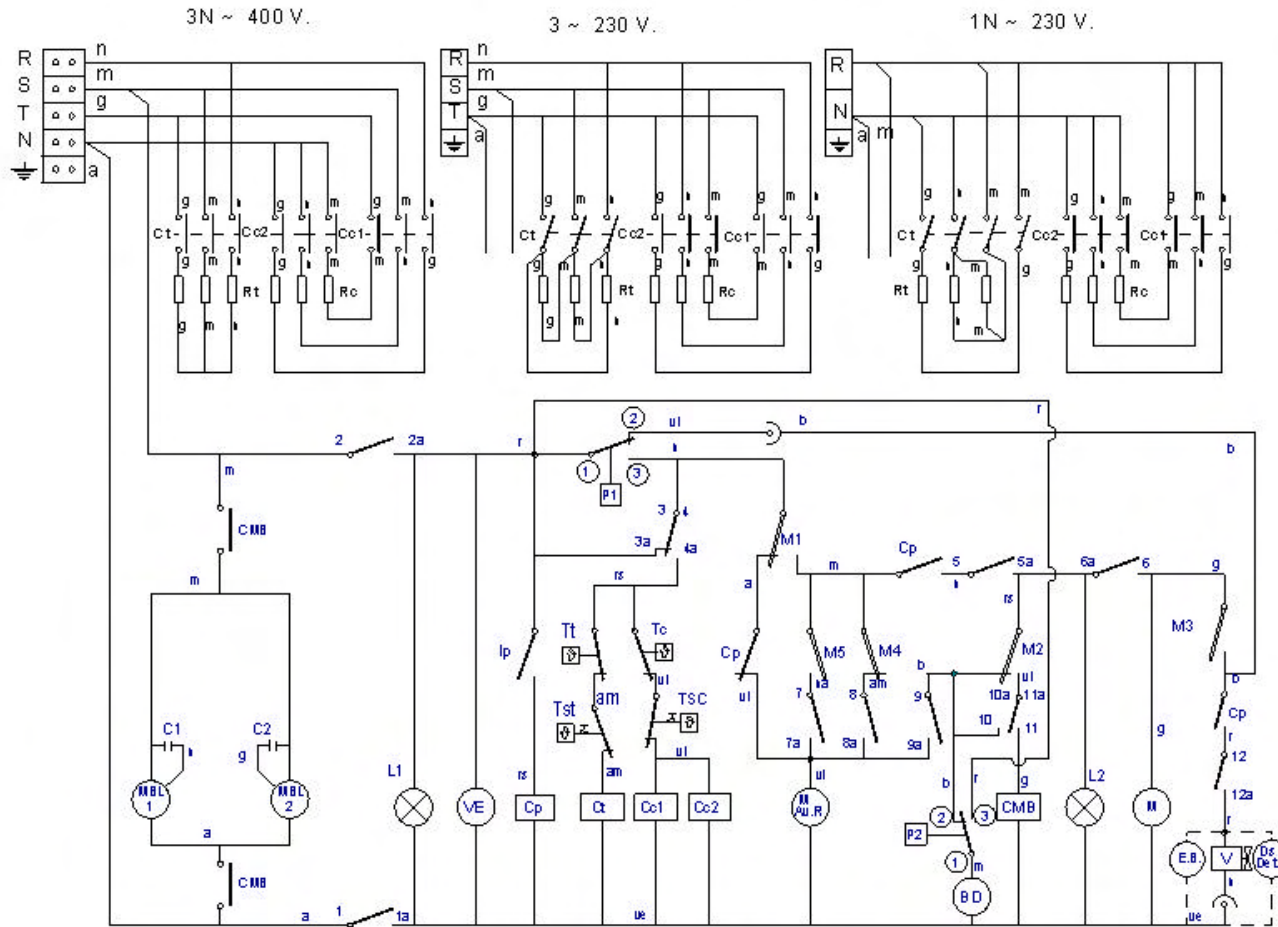


IG	1 1a	2 2a-3a	3 4a	4 5a	5 6a	6 7a	7 8a	8 9a	9 10a	10 11a	11 12a
0											
55	X	X		X							X
75	X	X		X	X	X		X			X
120	X	X		X	X	X					X
∞	X	X		X	X				X		X
∞	X	X	X		X	X				X	

Z718939000

ESQUEMA TEORICO 120 Clinic Line, 100B BT				Z718939000	
Zk./Nº	Pieza	Cant.	Materia/Material	Klas. zk/Nº Clas.	Gainazal akabera/Tratamiento
Zk./Nº	Aldaketa/Modificaciones		Nork proposatua/Propuesta de	Data/Fecha	Perdoi orokorrak Tolerancias generales
1	Introducir FI100B BT		Eneritz	22-01-2007	< 5 ±
2	Se sustituyen P3, P4 y P5 por el triple presostato P3		MALBES	22-06-2007	50 ÷ 100 ±
-	-		-	-	> 100±
-	-		-	-	∅ ±
Sinadura/Firma			Data/Fecha	Gainazal perdoia Mecanizado superficial	
Marraztua/Dibujado			M.Mailló	22-05-2005	FAGOR
Proiektatua/Proyectado			M.Mailló	22-05-2005	
Egiaztatua/Comprobado			ENERITZ	22-05-2005	
Eskala/Escala			Fagor Industrial, Koop. Elk. Mugatua		
LAVAVAJILLAS				Plano Zk./Plano Nº	
				HC-17804 -02	
Plano hau ezin daiteke erabili, ez berrizatu, gure baimenik gabe.				Zk. ord. du	
				Zk. gaitik ord.	

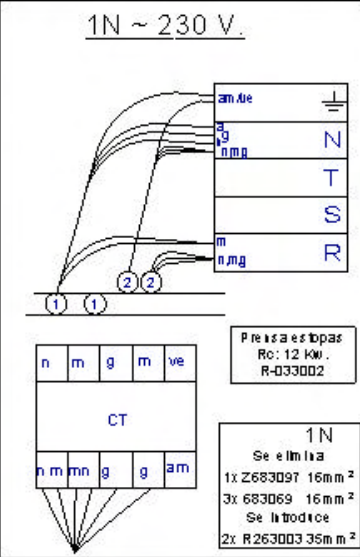
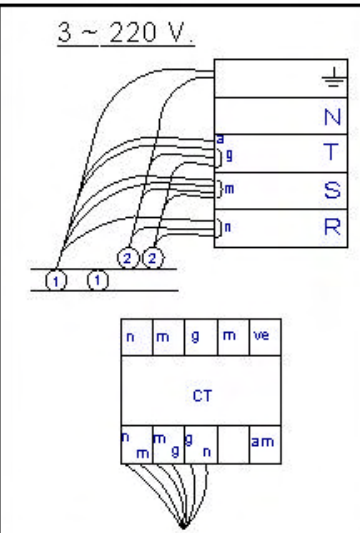
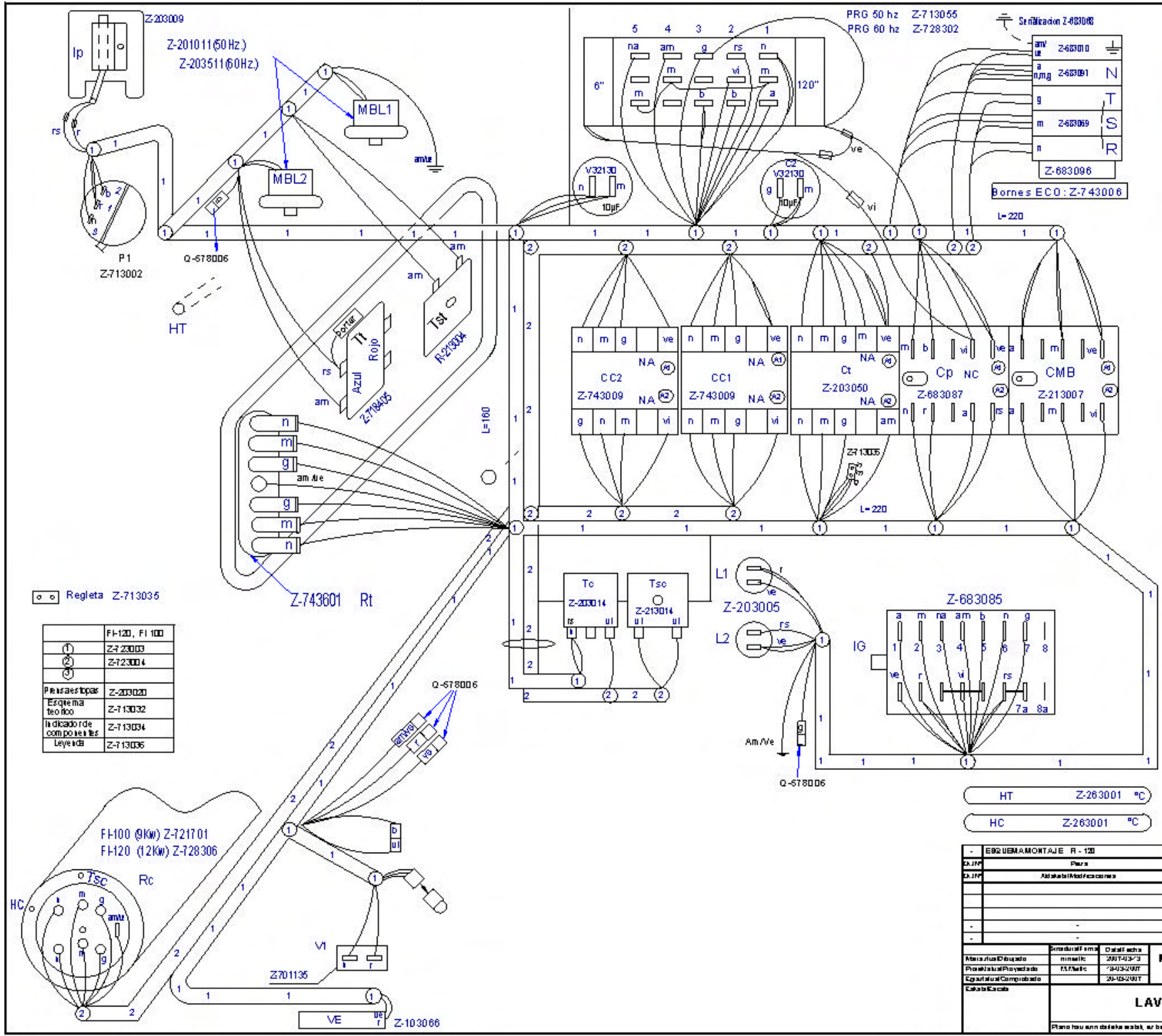
FI - 120 B, FI - 100 B



	1	2	3	4	5	6	7	8	9	10	11	12
	1a	2a-3a	4a	5a-6a	7a-8a-9a	10a-11a	12a					
0												
55	X	X		X	X	X	X	X			X	X
75	X	X		X	X	X		X			X	X
120	X	X		X	X	X					X	X
0C	X	X		X	X				X		X	X
L1	X	X	X		X	X				X		

Z713096000

ESQUEMA TEORICO ADHESIVO				Z713096000	
Zk./N°	Peza	Cant.	Materia/Material	Klas. zk./N° Clas.	Gaiazal akabera/Tratam. k. ind.
Zk./N°	Aldaketa/Modifikazioak		Norm. proposatua/Proposeta de	Data/Feixa	Perdola orokorrak To kraklas geterak
01	Cambiar de negro a rosa en Tt		M. Mallio	03-01-2003	
2	Cambiar de posición Cp		M. Mallio	26-02-2007	- 5 ± 50 + 100 ±
-	-		-	-	5 + 25 ± > 100 ±
-	-		-	-	25 + 50 ± 0 ±
-	-		-	-	
	Marrazta/Dibujado	Inzarbalza	Data/Feixa	 Fagor Industrial, Koop. Ek. M. gaita	Gaiazalperdola Mecanizado especial
	Proiektatza/Proyektado	Inzarbalza	Data/Feixa		
	Egiazatza/Comprobado		Data/Feixa		
	Eskaia/Escala				
LAVAVAJILLAS					Plano Zk./Plano N°
					HC-17463-02
					- Zk. ord. d.1
Plano katezko datuak erabiliz, ezberdiztatuz, gure balioekin gabe.					- Zk. gaitik ord.



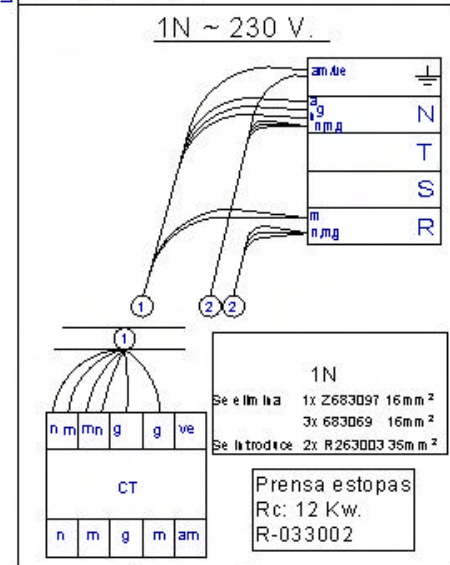
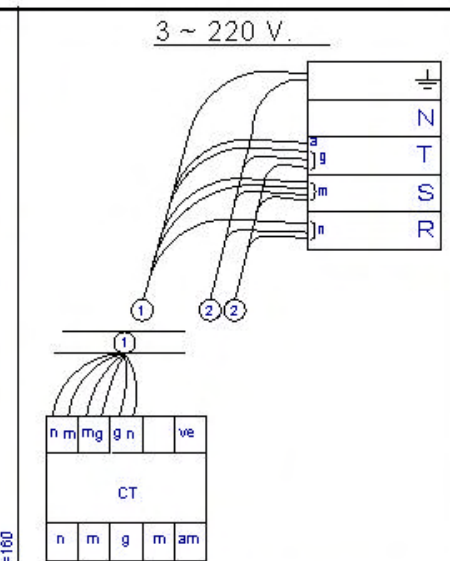
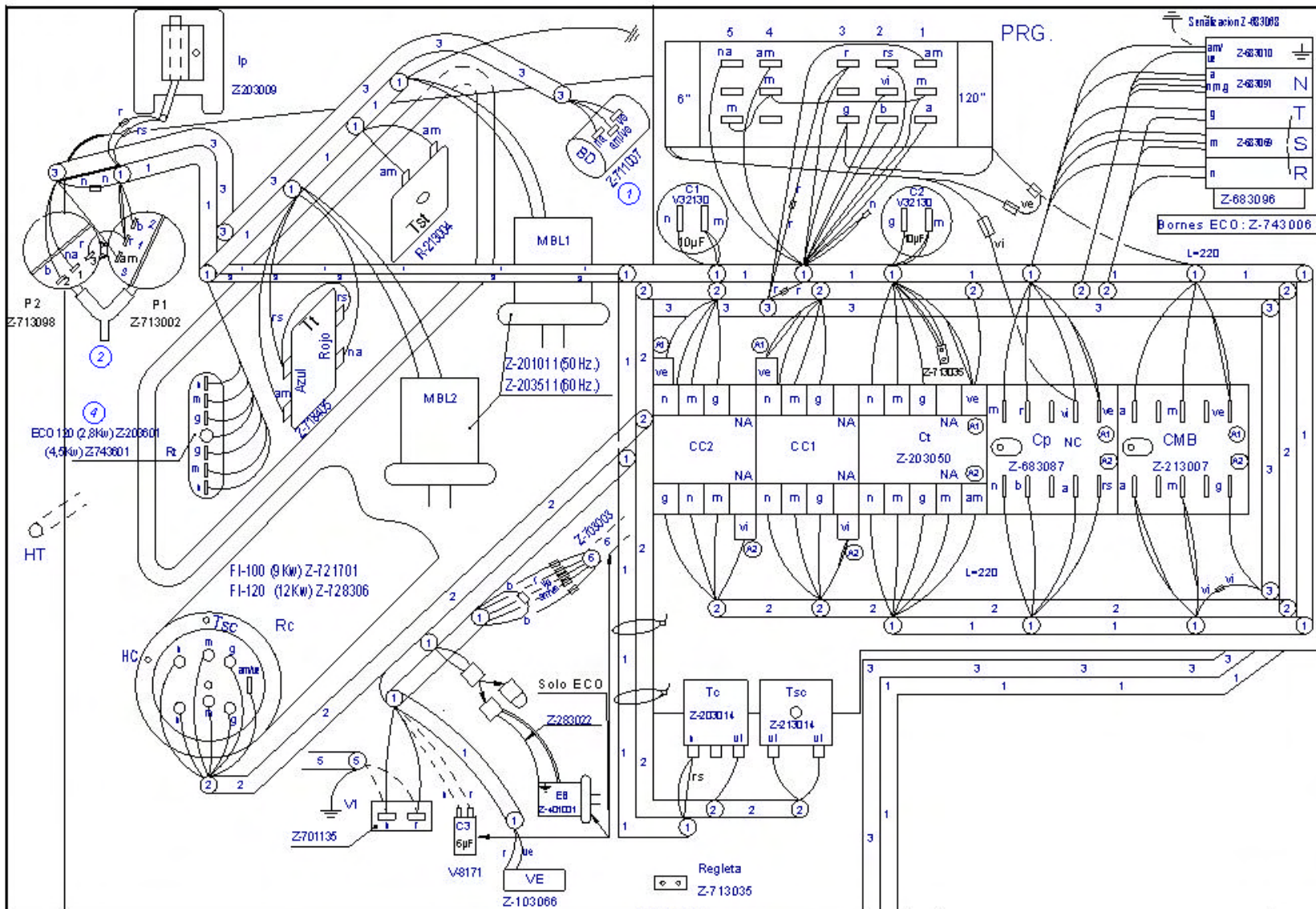
Regleta Z-713035

1	FH-120, FI-100
2	Z-723003
3	Z-723004
Presión de trabajo	Z-203005
Esquema teórico	Z-713032
Indicador de componentes	Z-713034
Leyenda	Z-713036

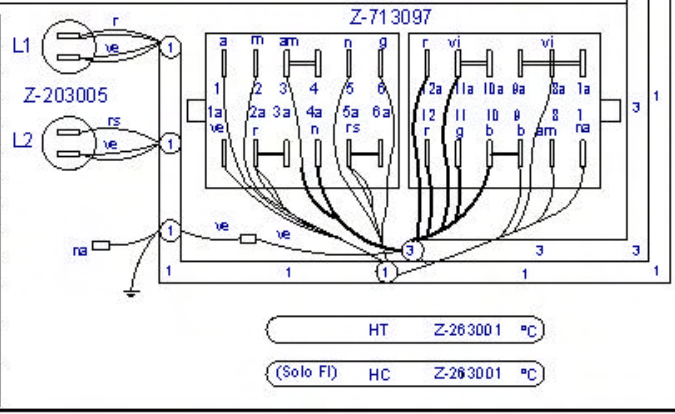
HT Z-263001 °C
 HC Z-263001 °C

EBO UEM MONTAJE R-120		-728008000	
D.I.F.P.	Para	Materiales	Usos, ANP Clas
D.I.F.P.	Adaptación/Modificaciones	Mark, programación/Equipos de	Datos técnicos
		Perdidas estimadas (tolerancia generadora)	
		+ 3.1 [0.2]	
		- 25.1 [0.2]	
		25 - 50.1 [0.2]	
		0.1 [0.1]	
		General perdidas	
		Materiales/Equipos	
		n/m/le/c	
		7807-03-73	
		7803-2007	
		20-03-2007	
		Fago Industrial Corp S.A. Málaga	
		Plano D.1/Plano P1	
		HC-18054	
		D. ind. de	
		D. g. ind. de	
Plano ha un dafete esab, ar beurla, que bantak gaba.			

LAVAVAJILLAS

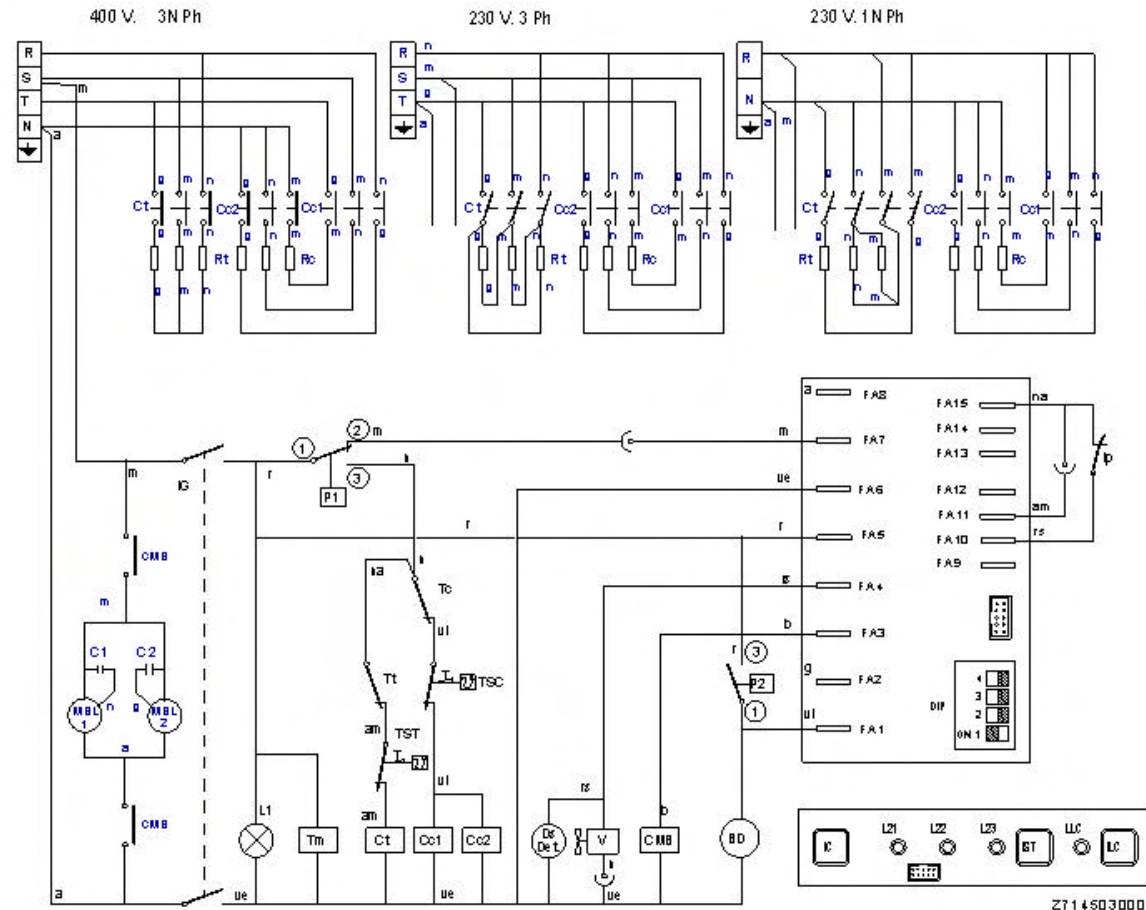
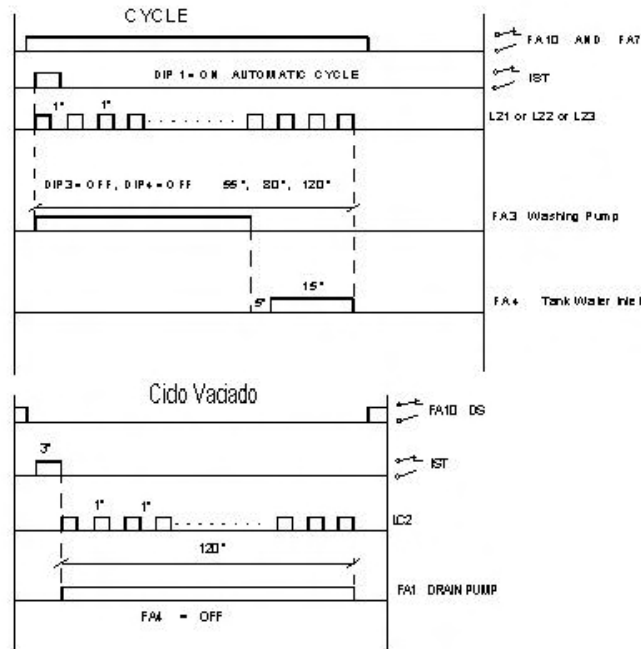


	ECO-120B	FI-100B	FI-120B
①		Z-713030	
②		Z-713031	
③		Z-713094	
Leyenda		Z-713036	
⑤			
CC1-CC2		Z-203050	
PRG 50 Hz.	Z-703004	Z-713055	
60 Hz.		Z-728302	
⑥	Z-703003		
Prensa estopos	Z-203020	R-023013	
Esquema teorico	Z-733004	Z-713096	
Indicador de componentes	Z-713034		



ESQUEMA MONTAJE FI-100 B, FI-120 B, ECO-120 B				Z-713095000	
Zk./Nº	Peza	Materia/Material	Klas. zk./Nº Cias	Galaxial akabe ra/Tratam. k. b	
Zk./Nº	Aktaketa/Modifikazioak	Nork proposatua/Proposta de	Data/Fecha	Pe dioliorokorak To kraklas geterak	
1	CORREGIR COLOR CABLE Y REFERENCIA BOMBA DEBAQUE	icaro	5-10-2002	- 5 ± 0.2	50 + 100 ± 0.8
2	MODIFICAR POSICION PRESOSTATOS Y CORRECCIONES	icaro	12-10-2002	5 + 25 ± 0.4	> 100 ± 1
3	Modificar conexión en TC	M. Mallo	12-12-2002	25 + 50 ± 0.5	Cl. ± 1º
4	ECO 120 bertalontzat Rt4,5kw-0h 2,8kw-ra pasata	m gangotit	2007-01-02		
-					
Marrazta/Dibujado		Inarbalza	12-10-2002	Galaxialperdoia Mecanizado especifico	
Proiektatza/Proyektado		Inarbalza	12-10-2002	-	
Egiaztatza/Comprobado		icaro	02-11-2002	-	
Eskala/Escala		FAGOR		Plano Zk./Plano Nº HC-17465 -04	
1:1		Fagor Industrial, Koop. Ek. M. Igaldea		- Zk. ord. dt	
		LAVAVAJILLAS		- Zk. galitk ord.	

VDS 120



-	Esquema teorico VDS 120	-	-	Z714503000	-	
Zk /Nº	Peza	Carit.	Materia/Material	Klas. zk/Nº Clas.	Gaitazal akaberatratamendua	
Zk /Nº	Aldaketak/Modifikabioak		Norm. proposatuta/Proposta de	Data/Fecha	Peidoi orokorrak Tole irakotasunak	
-	-		-	-	-	
-	-		-	-	- 5 ± 0,2	
-	-		-	-	50 ± 100 ± 0,8	
-	-		-	-	5 + 25 ± 0,4	
-	-		-	-	> 100 ± 1	
-	-		-	-	25 + 50 ± 0,6	
-	-		-	-	Cl. ± 1	
	Sinadura/Firma	Data/Fecha	 Fagor Industrial, Koop. Ek., M. I. Gaitia		Gaitazalperdoak Mecanizado estereotipal	
	Marratza/Disenado	M. Mallko			30-03-2007	Plano Zk / Plano Nº HC - 18059
	Proiektatza/Proyektado	M. Mallko			30-03-2007	- Zk. ord. d1
	Egiaztatza/Comprobado	<i>[Signature]</i>			30-03-2007	- Zk. gaitk. ord.
	Eskala/Escala					
LAVAVAJILLAS CAPOTA						
Plano bari ezko datuak erabiliz, ezberrikatuz, gure balioekin gabe.						

LEYENDA CAPOTA

	ESPAÑOL	FRANÇAIS	ENGLISH	DEUTSCH	ITALIANO
Ⓐ Ⓑ	Puntos de conexión con R	Points de conexión R	Connection point with R	Anschlußpunkte mit R	Punti di collegamento con R
BD	Bomba desagüe	Pompe de vidange	Drain pump	Abflußpumpe	Pompa scarico
C 1/2/3	Condensador	Condensateur	Condenser	Kondensator	Condensatore
CMB	Contactora bomba lavado	Contacteur pompe lavage	Wash pump contactor	Kontaktschütz Waschpumpe	Contattore pompa lavaggio
Cc 1/2	Contactora calentamiento calderin	Contacteur chauff. surchauffeur	Boiler heating contactor	Kontaktschütz Boilerheizung	Contattore riscaldamento boiler
Ct	Contactora calentamiento tanque	Contacteur chauffage cuve	Tank heating contactor	Kontaktschütz Heizung Tank	Contattore riscaldamento serbatoio
CP	Rele puerta	Relais porte	Door relay	Türrelais	Rele porta
Ds.Det.	Dosificador detergente	Dosieur de detergent	Detergent doser	Dosierer Spülmittel	Dosatore detersivo
E.B	Electrobomba de presión	Electropompe de pression	Electric pressure pump	Elektro-Drucksteigerungspumpe	Electropompa pressione
IG	Interruptor general	Interrupteur general	Main switch	Hauptschalter	Interruttore generale
IP	Micro puerta	Micro porte	Door microswitch	Mikroschalter Tür	Micro porta
L1	Piloto de encendido	Voyant fonctionnement	Operation light	Betriebsanzeigelampe	Spia accensione
L2	Piloto marcha	Voyant démarrage	Start light	Startanzeigelampe	Spia avvio
L3	Piloto máquina preparada	Voyant machine prêt	Light machine ready	Betriebsbereitschaftsanzeigelampe	Pilota macchina preparata
MBL 1/2	Bomba lavado	Pompe lavage	Wash pump	Waschpumpe	Pompa lavaggio
M	Motor programador	Moteur du programmeur	Motor programmer	Motor Programmiervorrichtung	Motore programmatore
M Av. R	Motor program. avance rápido	Moteur du progr.avance rapide	Motor program. rapid advance	Motor Programmiervorrich. schneller Vorlauf	Motore programmatore avanzamento rapido
M1	Micro programador marcha	Micro du programm. de marche	Micro programmer on	Motor Programmiervorrich. Betrieb	Micro programma. di funzionamento
M2	Micro programador lavado	Micro du programm. de lavage	Micro programmer wash	Motor Programmiervorrich. Waschen	Micro programmatore di lavaggio
M3	Micro programador aclarado	Micro du programm. de rinçage	Micro programmer on	Motor Programmiervorrich. Spülen	Micro programmatore di risciacquo
M4	Micro programador Termo-stop	Micro du programm. Thermo-stop	Micro programmer Thermo-stop	Motor Programmiervorrich. Thermo-Stop	Micro programmatore Thermo-stop
M5	Micro programador avance	Micro du programm. avance	Micro programmer advance	Motor Programmiervorrich. Vorlauf	Micro programmatore avanzamento
M6	Micro programador avance	Micro du programm. avance	Micro programmer advance	Motor Programmiervorrich. Vorlauf	Micro programmatore avanzamento
P, P1, P5	Presostato	Pressostat	Pressure switch	Druckwächter	Pressostato
P2, P3, P4	Presostato limitador	Pressostat de sécurité	Hi-limit pressure switch	Begrenzer Druckwächter	Pressostato limitatore
R	Rele de Generador de A.C.	Relais du Générateur	Generator reles	Relais Generator	Rele Generatore
Ⓡ Ⓝ	Toma de alimentac. Generador A.C.	Alimentation generateur	Water heater feeding	Stromversorgungsanschluß Gener.	Alimentazione generatore
RC	Resistencia calderin	Resistance surchauffeur	Boiler heating element	Heizwiderstand Boiler	Resistenza boiler
RT	Resistencia tanque	Resistance cuve	Tank heater	Heizwiderstand Tank	Resistenza serbatoio
Tt	Termostato tanque	Thermostat de cuve	Tank thermostat	Thermostat Tank	Termostato serbatoio
TC	Termostato calderin	Thermostat surchauffeur	Boiler thermostat	Thermostat kessel	Termostato boiler
Tst	Limitador tanque	Limiteur de cuve	Tank limiter	Begrenzer Tank	Limitatore serbatoio
TSC	Limitador calderin	Limiteur surchauffeur	Boiler Hi-limit	Begrenzer Boiler	Limitatore boiler
TSTP	Termostato termo-stop	Thermostat Thermo-stop	Thermo-stop Thermostat	Thermostat Thermo-stop	Termostato Thermo-stop
V	Electrovalvula llenado y aclarado	Electrovan. remplissage rinçage	Fill and rinse valve	Elektroventil Füllen und Spülen	Elettroval. riempimento e risciacquo
VE	Ventilador cuadro eléctrico	Ventilateur tableau électrique	Switchboard fan	Schalttafelventilator	Ventilatore quadro elettrico
COLOR	COLORES	COULEURS	COLOUR	FARBEN	COLORE
a =	Azul	Bleu	Blue	Blau	Blu
am =	Amarillo	Jaune	Yellow	Gelb	Giallo
am/ve =	Amarillo/verde	Jaune / vert	Yellow / green	Gelb/grün	Giallo/verde
b =	Blanco	Blanc	White	Weiß	Bianco
g =	Gris	Gris	Grey	Grau	Grigio
m =	Marrón	Marron	Brown	Braun	Marrone
n =	Negro	Noir	Black	Schwarz	Nero
na =	Naranja	Orange	Orange	Orange	Arancio
r =	Rojo	Rouge	Red	Rot	Rosso
rs =	Rosa	Rose	Pink	Rosa	Roseo
ve =	Verde	Vert	Green	Grün	Verde
vi =	Violeta	Violet	Purple	Violett	Viola

Z-713036