

1	R205429
	Q419005
2	R205425
3	R205426
	Q072035
	Q221342
4	X162811
s/n	X162810
5	X176100
6	X165400
6	R165431
7	Q302022
8	Q152004
9	Q221342
10	Q221342
11	X162667
11	R162613
12	Q152004
13	Q221342
14	X162803
14	X172801
15	Q152004
16	Q221342
17	Q221342
18	Q152004
19	Q221343
20	Q302022
21	Q012042
22	R212650
22	X172630
23	X162635
24	X162636
25	X260150
26	Q411304
27	Q411304
28	X162812
28	X172803
29	Q419005

Nº plano
C-1000

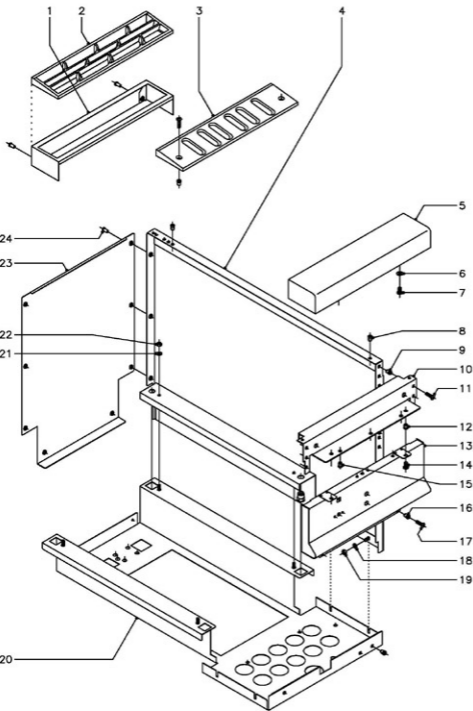


Fecha
3-2001

Apartado
MUEBLE
FREIDORAS 900 (AL SUELO)

Lámbulo
1

Fábrica Industrial S. Coop. **FACTOR**
Oleiva



1	R205429
	Q419005
2	R205425
3	R205426
	Q072035
	Q221342
4	X192805
s/n	X192803
5	X165400
6	Q302022
7	Q152004
8	Q221342
9	Q221342
10	X162667
11	Q152004
12	Q221342
13	X162803
14	Q152004
15	Q221342
16	Q221342
17	Q152004
18	Q302022
19	Q162030
20	X192808
21	Q302022
22	Q162040
23	X192807
24	Q419005

N plano
C-1001

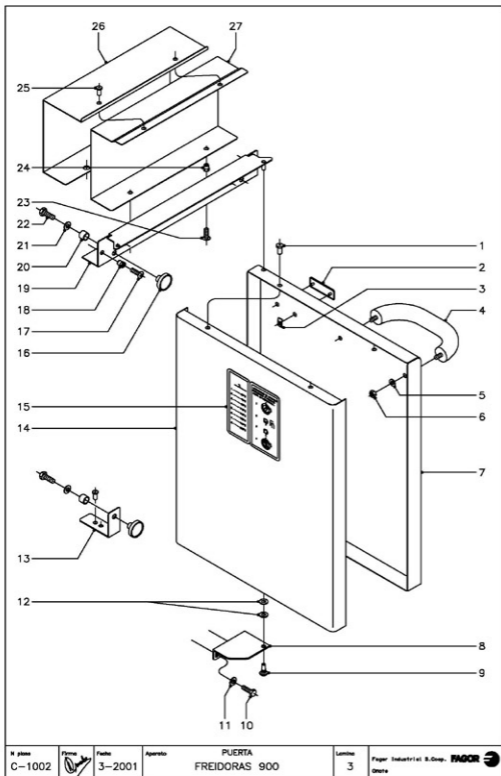


Fecha
3-2001

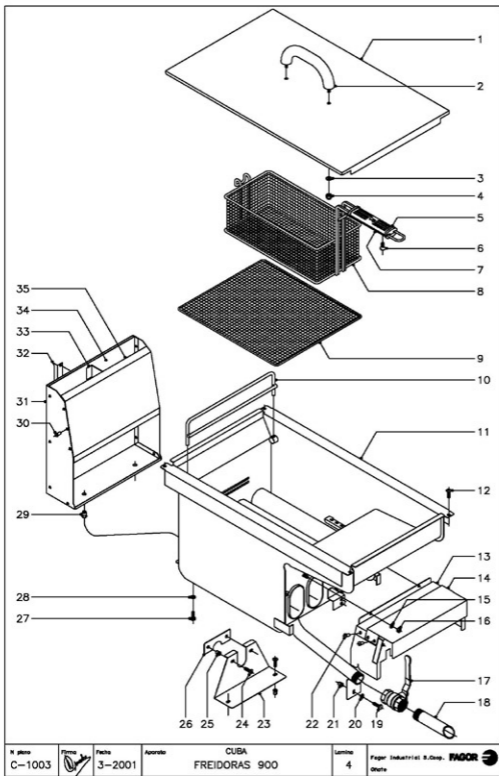
Apellido
MUEBLE
FREIDORAS 900 (SUSPENDIDAS)

Laminas
2

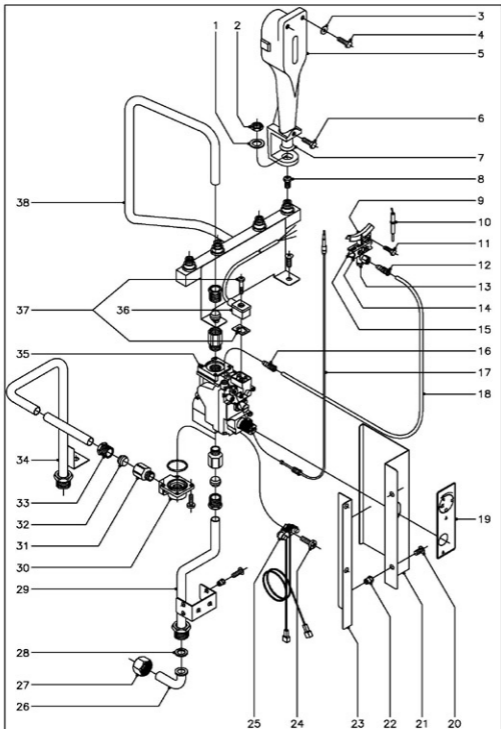
Fagor Industrial S. Coop. **FAGOR**
Gata



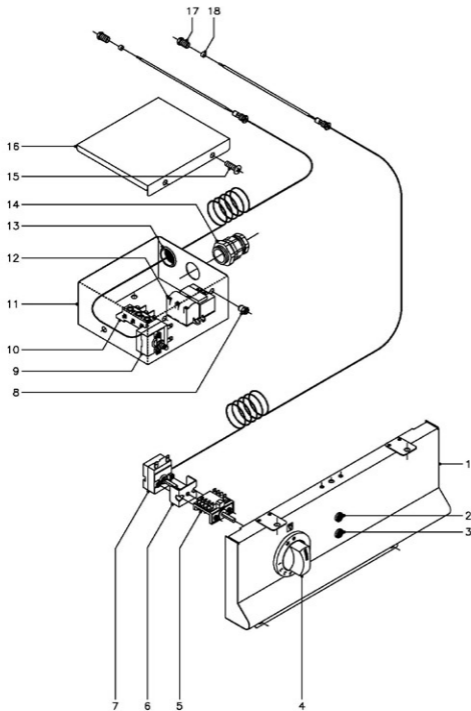
1	Q419005
2	U262806
3	Q221023
4	Z400540
5	Q302022
6	Q162030
7	X190502
s/n	X170504
7	X190502
8	E022608
s/n	E022607
8	X190504
9	X960504
10	Q012042
10	Q152004
11	Q302022
12	Q232040
13	X172603
	Q419005
14	X160532
14	X190503
15	X166511
16	X960501
17	Q152004
18	Q221342
19	X162669
s/n	X172602
20	X960502
21	Q232020
22	Q012021
23	Q152004
24	Q221342
25	Q419005
26	X162654
27	X162653



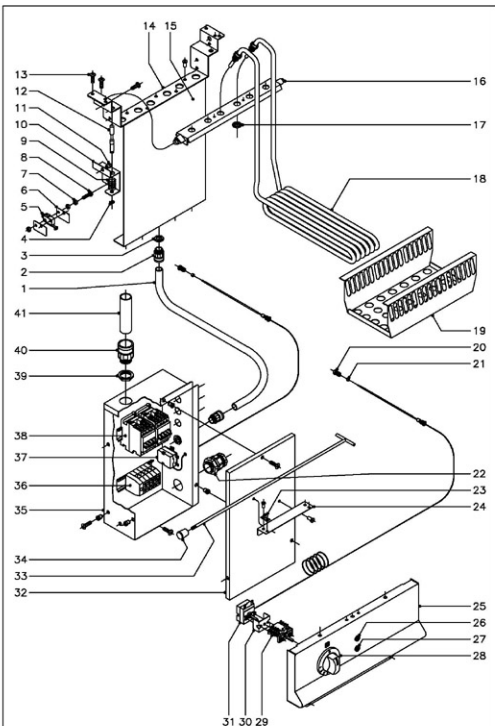
1	X166141
1	X186111
2	Z400540
3	Q302022
4	Q212031
5	9616402
6	Q042031
7	9616401
8	X066590
8	X066595
9	X166522
9	X186522
10	X166500
11	X166124
11	X186107
12	Q152004
13	X162655
14	X162656
15	Q302022
16	Q162040
17	X036107
18	X166134
19	Q012043
20	Q302022
21	Q221343
22	Q419005
23	X182618
23	X182619
24	Q152004
25	Q221342
26	X186112
27	Q012041
28	Q302022
29	Q221343
30	Q419005
31	X162651
32	U565811
33	X162658
34	X162652
35	X162650



1	Q301322
2	Q223021
3	Q302022
4	Q012043
5	X015700
6	Q012043
7	U325707
8	X162403
8	9429400
8	R642400
9	X012117
s/n	X012122
10	X012101
11	Q012031
12	U134323
13	X012126
s/n	U442138
s/n	U442137
14	X012114
15	X012113
s/n	X012116
16	U134323
17	U562130
18	X165015
19	X162617
20	Q152004
21	X162666
22	Q221342
23	X162668
24	U134321
25	R275027
26	U565007
27	U725006
28	Q306052
29	X165051
30	X153004
31	X162101
32	X012105
33	X012104
34	X195005
35	X163000
36	X163008
37	X163009
38	X165010
38	X195050



1	X162803
1	X172801
2	Z203004
3	Z203005
4	X313003
s/n	Q281000
5	X163007
6	X313001
7	X163010
8	Q221342
9	X163040
10	U183046
11	X163022
11	X193000
12	R073007
13	X723014
14	R023013
15	Q152004
16	X163023
16	X193001
17	X163015
18	X163016



1	3712600	26	Z203004
2	X033027	27	Z203005
3	X033028	28	X183025
4	Q271033		Q281000
5	R010534	29	X183007
6	R010535	30	X313001
7	Q161310	31	X183010
8	Q031315	32	X183053
9	Z700603	32	X233001
10	X182616		Q152004
11	Q221342		Q221342
12	R010533	33	X183056
13	Q152004	34	X183057
14	X182611	35	X183051
15	X182617	35	X233000
16	X182612		Q152004
17	-		Q221342
18	-	36	Z683069
19	X183021		Z683070
20	X183023		Z683096
21	X163015		Z683068
22	X163016		R663055
23	R023013		Q419005
24	X183055	37	X163040
25	Q419006	38	X183011
26	X183054		R663055
27	Q419005		Q419005
28	X162803		
29	X172801		

BUTANO - PROPANO		
8	X162403	Tobera Ø 1,25
13	U442138	Injector piloto Ø 0,25 (B.P.y G.V.)
s/n	U136501	Indicador (Butano - Propano)
GAS NATURAL		
8	9429400	Tobera Ø 1,80
13	U442137	Injector piloto Ø 0,40 (Gas Natural)
s/n	U134402	Indicador (Gas Natural)
GAS VILLA		
8	R642400	Tobera Ø 3,70
13	U442138	Injector piloto Ø 0,25 (B.P.y G.V.)
s/n	U134310	Indicador (Gas Villa)