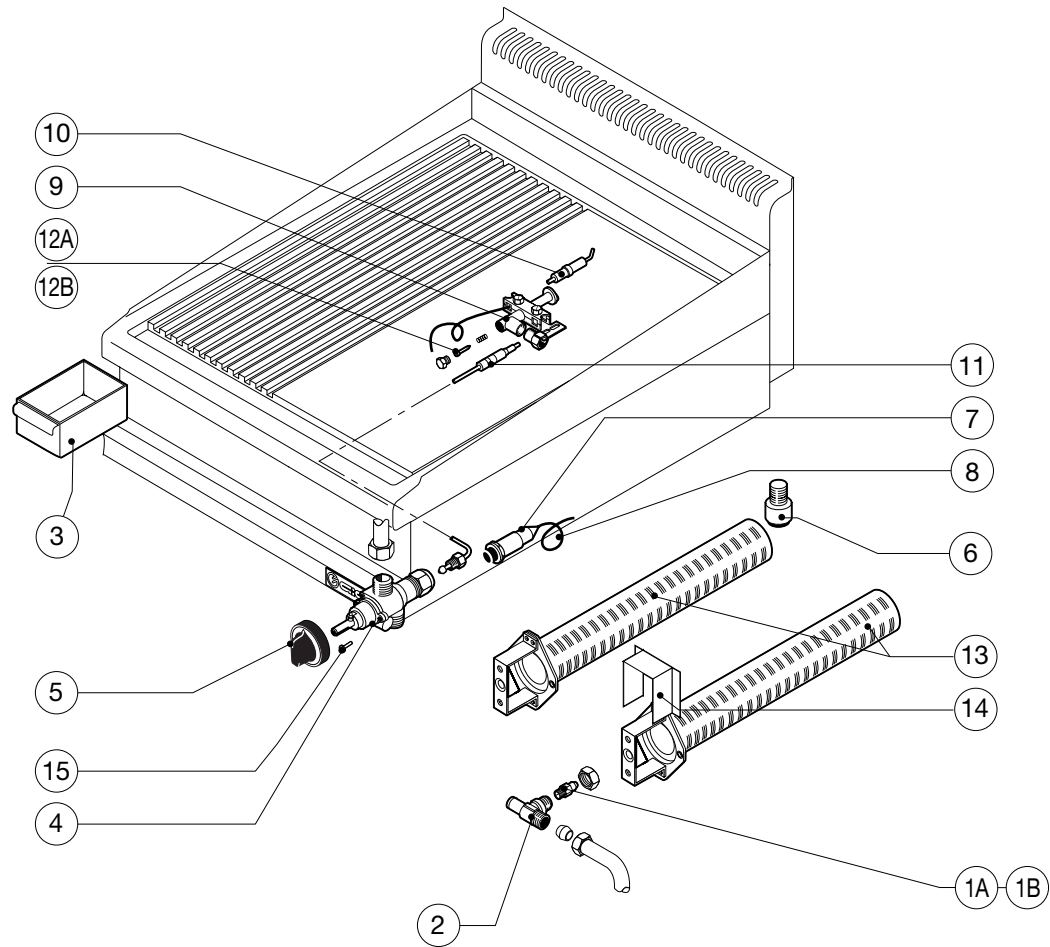


SKT60G2

SKT60GLR

SKT60GR2



A = GPL / LP gas / Gaz liquide / Flüssiggas  
 B = Gas metano / Natural gas / Gaz naturel / Erdgas

