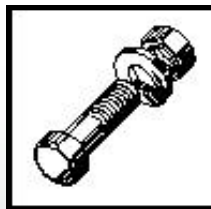




Electric Double Fryer

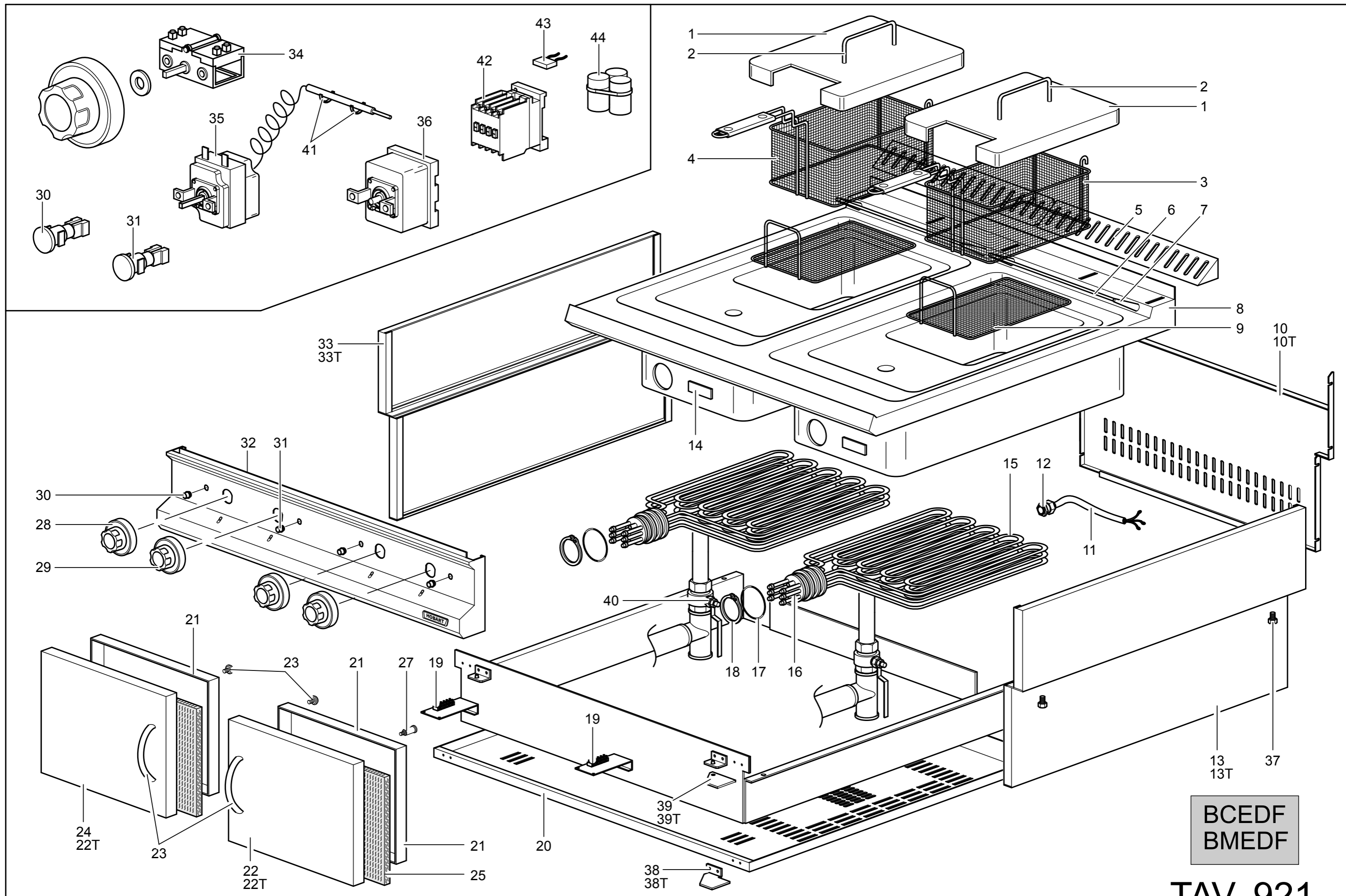
BCEDF

BMEDF



Spare Parts





BCEDF
 BMEDF

TAV. 921

Key N°	Part N°	Description
1	160392	Cover
2	RTBF800020	Handle
3	160038	Basket
4	160037	Basket
5	163221	Chimmey grill
6	160409	Hook for tank
7	160408	Pin for tank
8	163256	Bowl
9	160036	Grate for basket
10	162680	Stainless steel back panel
11	RTCU900423	Feeding cable
12	RTBF800138	Chock
13	162676	Right side
13T	160433	Top Right side
14	RTFOC00035	Microswitch
15	160035	(R) Element
16	PACU700859	Microswitch control rod
17	RTCU700565	(R) Gasket
18	RTMIN00283	Seeger
19	RTBF900045	Terminal board
20	162727	Lower panel
21	162197	Counter door
21T	160095	Top counter door
22	162196	Right door
22T	160096	Top right door
23	162457	Cover
24	162202	Left door
25	RTCU700474	Door insulating panel
26	RTTAV00093	Magnetic connection
27	165595	Door rubber cap
28	163072	Commutator knob
29	163071	Thermostat handle
30	160506	(R) Green warning light
31	160505	(R) Orange lamp Light
32	163201	Control panel
33	162677	Left side

(R) = - Recommended spare parts

Key N°	Part N°		Description
33T	160434		Top left side
34	RTCU700212	(R)	Commutator
35	RTCU700609	(R)	Thermostat electronic
36	RTBF800164	(R)	Limit thermostat
37	162267		Foot
38	162199		Right door hinge
38T	164962		Top right door hinge
39	162198		Left door hinge
39T	164963		Top left door hinge
40	160596		Water discharge tap
41	164799		Thermostat bulb support
42	RTFOC00466	(R)	Relay
43	RTFOC00023		Antijamming filter
44	RTFOC00312		Antijamming filter

(R) = - Recommended spare parts

The image shows a close-up of a metal surface with the word "HOBART" embossed in a rectangular frame. The embossing is slightly recessed into the metal, and the letters are in a bold, sans-serif font. The background is a light, metallic grey.



As continued product improvement is a policy of HOBART, specifications are subject to change with-out notice.