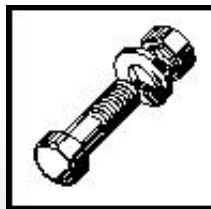


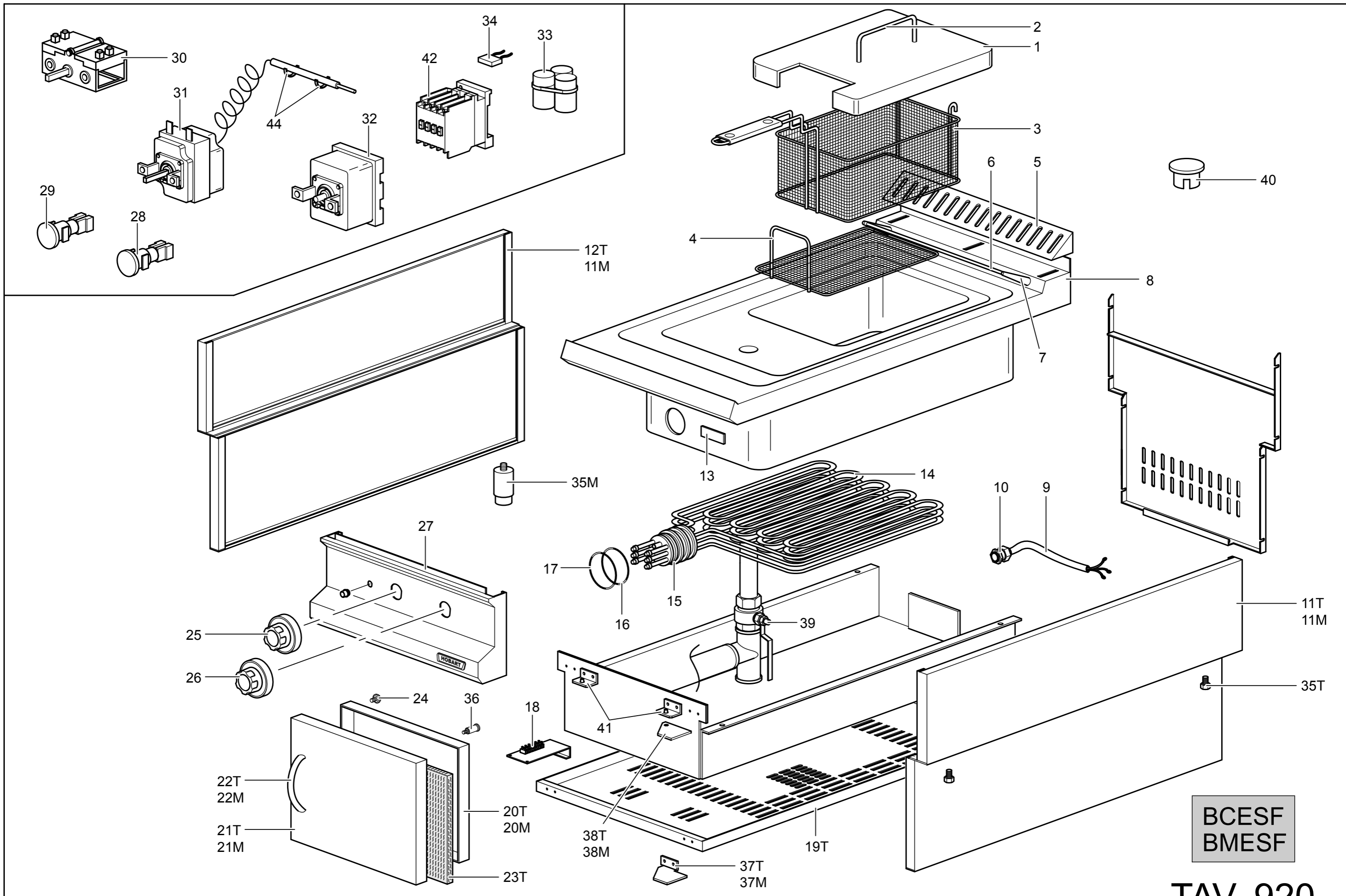


Electric Fryer
BMESF



Spare Parts





BCESF
BMESF

Key N°	Part N°	Description
1	160392	Cover
2	RTBF800020	Handle
3	160038	Basket
4	160036	Grate for basket
5	163222	Chimmey grill 45cm
6	160409	Hook for tank
7	160408	Pin for tanke
8	164921	Bowl
9	MPCAG10X03	Feeding cable
10	RTBF800138	Chock
11	160433	Top Right side
12	160434	Top left side
13	RTFOC00035	Microswitch
14	160035	(R) Element
15	PACU700859	Microswitch control rod
16	RTC700565	(R) Gasket
17	RTMIN00283	Seeger
18	RTBF900045	Terminal board
23	RTC700474	Door insulating panel
24	RTTAV00093	Magnetic connection
25	163072	Commutator knob
26	163071	Thermostat handle
27	163182	Control panel
28	160505	(R) Orange lamp Light
29	160506	(R) Green warning light
30	RTC700212	(R) Commutator
31	RTC700609	(R) Thermostat electronic
32	RTBF800164	(R) Limit thermostat
33	RTFOC00312	(R) Antijamming filter
34	RTFOC00023	(R) Antijamming filter
36	RTBF800021	Door rubber cap
39	160596	Water discharge tap
40	163603	Plug
41	160028	Bracket to fix the control panel
42	RTFOC00466	(R) Relay
44	164799	Thermostat bulb support


(R) = - Recommended spare parts

Key N°		Part N°	Description
11	M	162676	Right side
12	M	162677	Left side
19	T	160069	Lower panel
20	M	162197	Counter door
20	T	160083	Counter door
21	M	162196	Right door
21	T	160084	Door
22	M	162457	Cover
22	T	160270	Cover
35	M	162267	Foot
35	T	RTCU700324	Foot
37	M	162199	Right door hinge
37	T	164962	Top right door hinge
38	M	162198	Left door hinge
38	T	164963	Top left door hinge
43	M	162723	Back panel

T = Top / Cantilever version

M = Monoblock / Freestanding version

(R) = - Recommended spare parts

The image shows a close-up of a metal surface with the word "HOBART" embossed in a rectangular frame. The letters are raised and clearly legible. The background is a light, metallic grey.



As continued product improvement is a policy of HOBART, specifications are subject to change with-out notice.