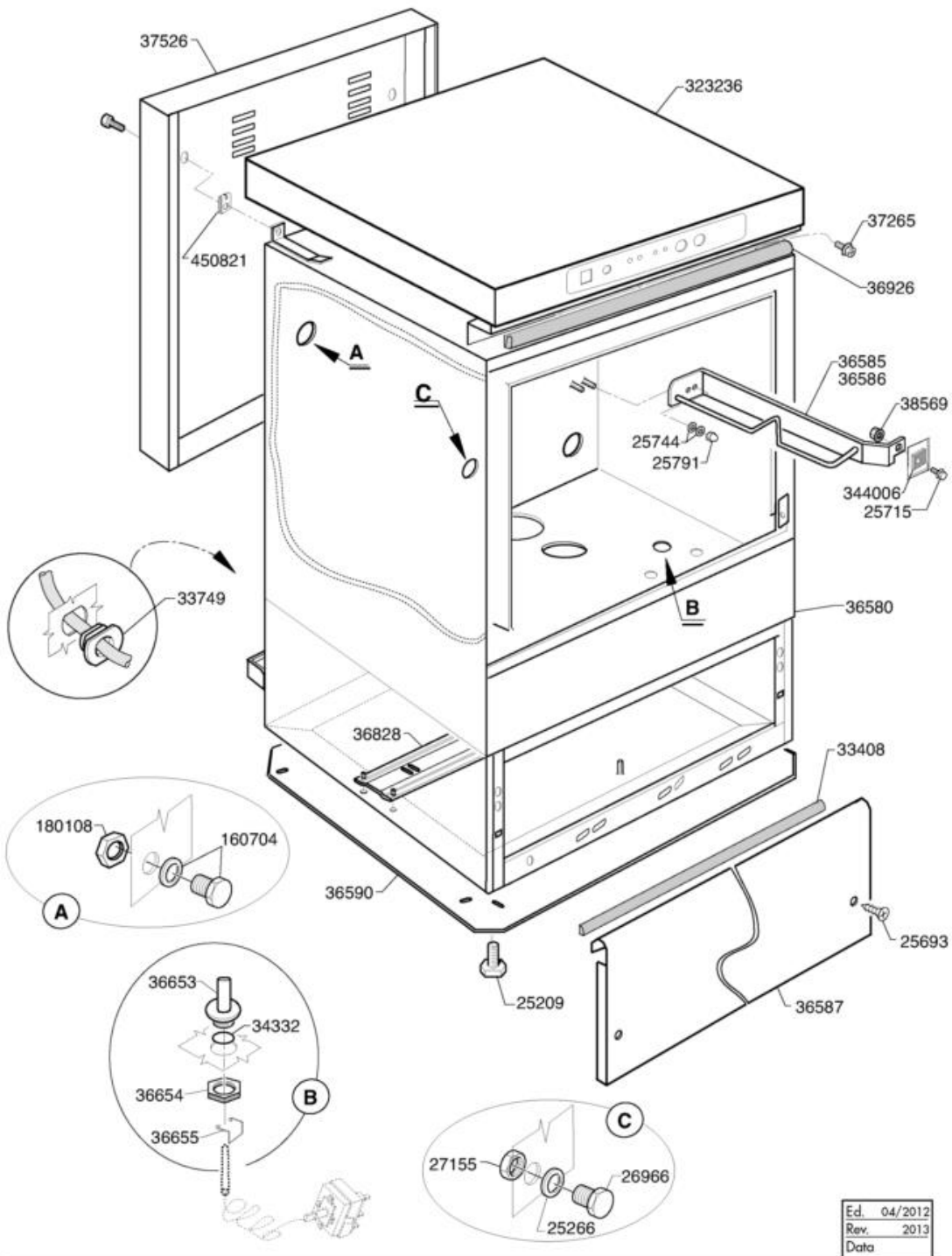


**CATALOGO RICAMBI
SPARE PARTS
PIECES DETACHEES
ERSATZTEILE
LISTA DE RECAMBIOS**

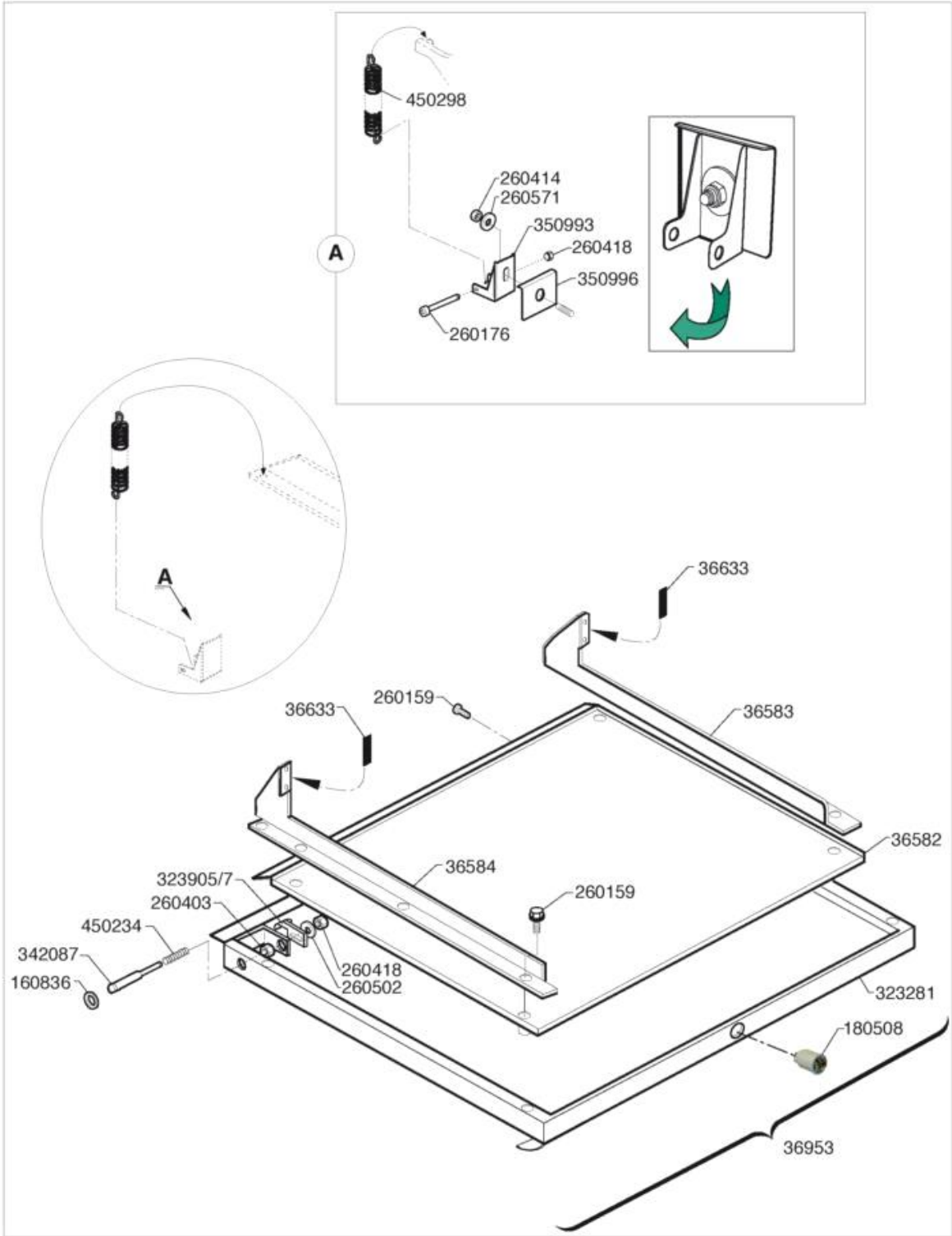
C 68 E BT

Ed. 06/2009

- 1 Hood C68EBT
- 2 Door Components C68EBT
- 3 Composants Porte C68EBT
- 4 Control Box C68EBT
- 5 Control Box
- 6 Groupe Rinçage C68EBT
- 7 Rinse Assembly C68EBT
- 8 Tank C68EBT
- 9 Wash Pump C68EBT
- 10 Rinse Pump C68EBT
- 11 Wash/Rinse Arm C68EBT
- 12 Wash/Rinse Arm C68EBT 07/2010 ->>
- 13 Rinse Aid Injector C68EBT
- 14 Detergent Pump C68EBT
- 15 Detergent Pump C68EBT ->> 06/10



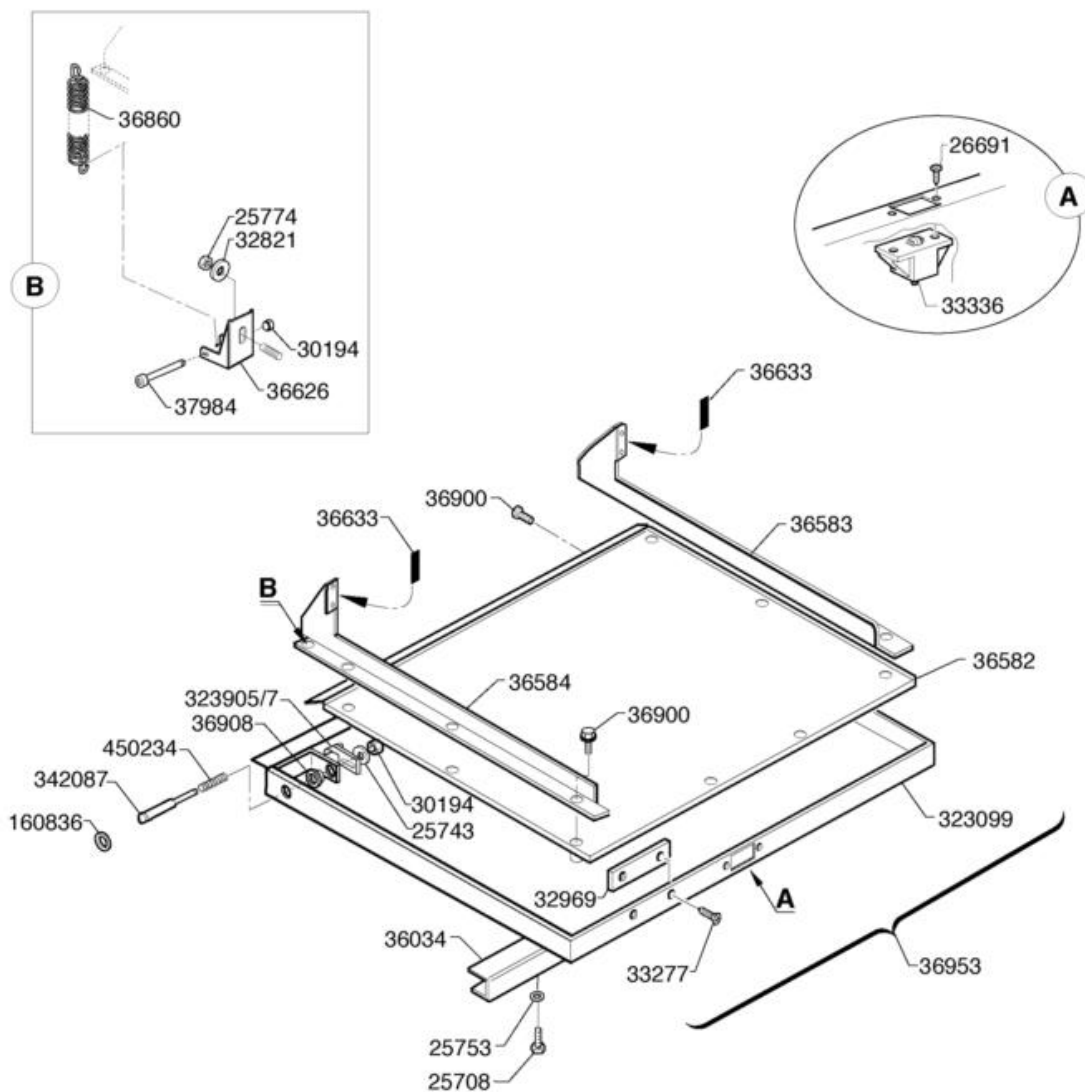
Code	Description	
160704	TAPP. NERI CON GUAR. 1/2" GAKT20	
180108	GHIERA 1/2" GAS PLASTICA	
25209	FEET, HEXAG. BASE	
25266	FLAT GASKET 18 X 10 X 2	
25693	SELF-TAPPING SCREW BEVEL H. 4,2X13	
25715	SCREW HEX.HD M 6 X 16 SS	
25744	SPACER, FLAT, DIAM.5	
25791	SELF-LOCKING NUT 5 MA LOWER SIDE	
26966	HOLE CLOSING PLUG	
27155	PLASTIC NUT10 M	
323236	PANNELLO SUP.COMANDI C68E 2011	
33408	NEOPREN ADHESIVE GASKET 8 X 4	
33749	CABLE CLAMP PA 277	
34332	GASKET OR 128 SUPP.PLUG	
344006	PIASTRINA RINF.LABIR. C60E LF	
36580	BODY, C 68 E	
36585	DRUM RIGHT GUIDE C 68 E	
36586	DRUM LEFT GUIDE C 68 E	
36587	FRONT GUARD, TANK C 68 E	
36590	LOWER GUARD, C 68 E	
36653	STAINL.ST.SHIELD FOR THERMOSTAT H=5	
36654	NUT x STAINL.ST.SHIELD x THERM. 1/2	
36655	STAINL.ST.SHIELD x THERM. SPRING	
36828	SUPPORT CROSSBAR C 68 E	
36926	Gasket f. wash door 15X18 C60-C68E	
37265	VITE TC CROCE M4x12 FLANGIATA	
37526	PANNELLO POSTERIORE C 68 E BT	
38569	DADO M.6 FLANG. S/Z DIN 6923	
450821	PIASTRINA FASTNER 5 MA	



Ed.	2011
Rev.	2015
Data	

Door Components C68EBT

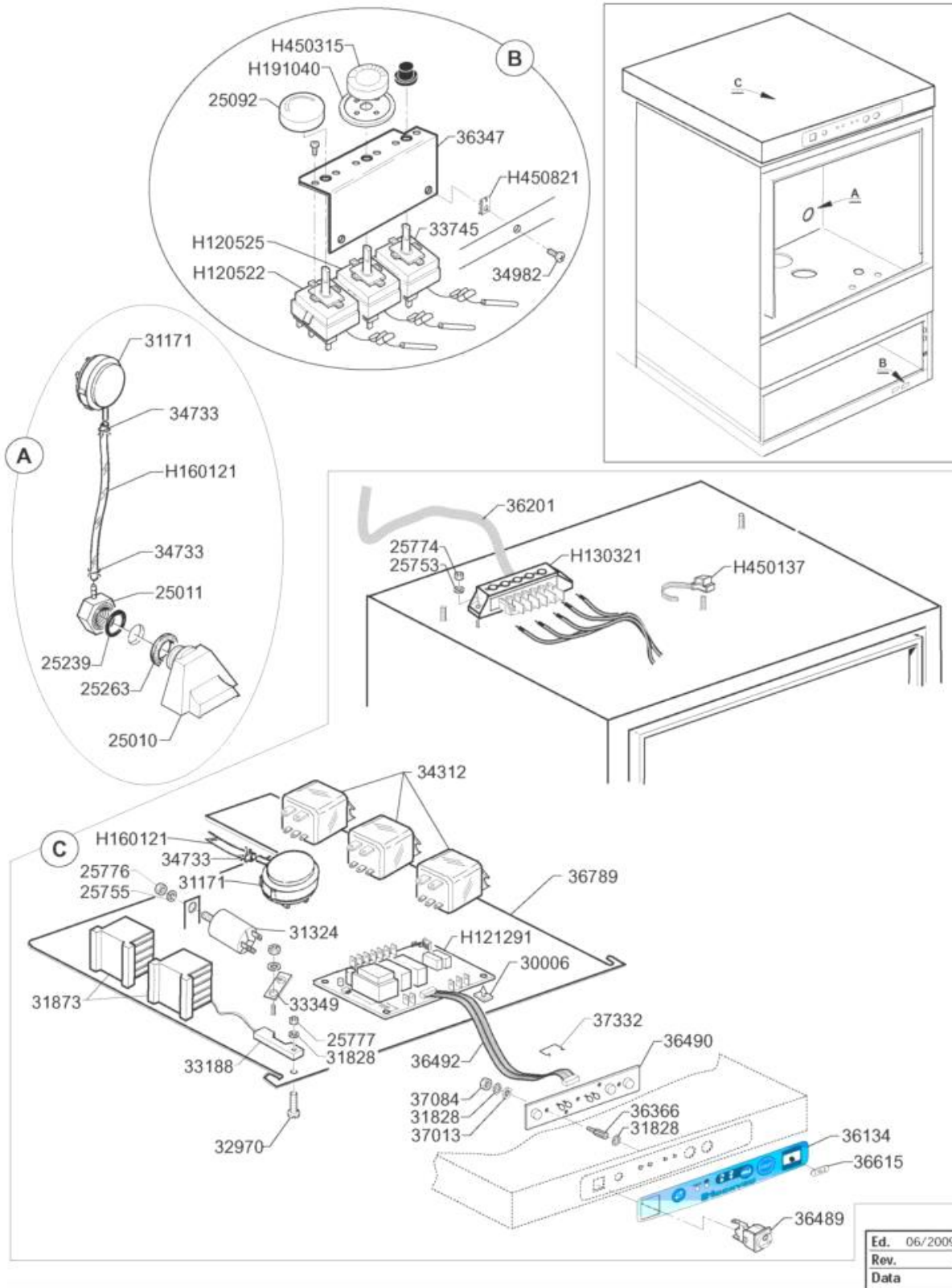
Code	Description	
160836	RONDELLA GRANO PORTA-BC/BR143	
180508	SCROCCHETTO A ROTELLA cilindr.	
260159	VITE TE M4X12 FLAN. INOX	
260176	VITE TE M4X28 PARZ. FIL. 6MM.	
260403	DADI STAMP. D5 INOX UNI 5588	
260414	DADO AUTOBL. "M5"304 BASSO TORN	
260418	DADO AUTOBLOC. "M4" INOX BASSO	
260502	RONDEL.PIANE D4 INOX UNI 6592	
260571	ROND.PIAN.TRIPLE 5,5x15X1 INOX	
323281	FRONTALE PORTINA C68E (2015)	
323905/7	PIASTRINA LEVERAGGIO PERNO	
342087	PERNO PER PORTINE BHC/CE	
350993	SQUADRETTA AGG.MOLLA C6-60-68E	
350996	PIASTRA FERMO MOLLA PORTA C60E	
36582	INNER DOOR PANEL C68E-GF70	
36583	DOOR GUIDE, DX C 68 E	
36584	DOOR GUIDE, SX C 68 E	
36633	CORNER PROTECTION RUBBER C53/60 E	
36953	DOOR ASSEMBLY CPL C68 E L589xH503	
450234	MOLLA PERNO PORTA BHC	
450298	MOLLA PORTA L=68 DE=12,9 D=1,5	



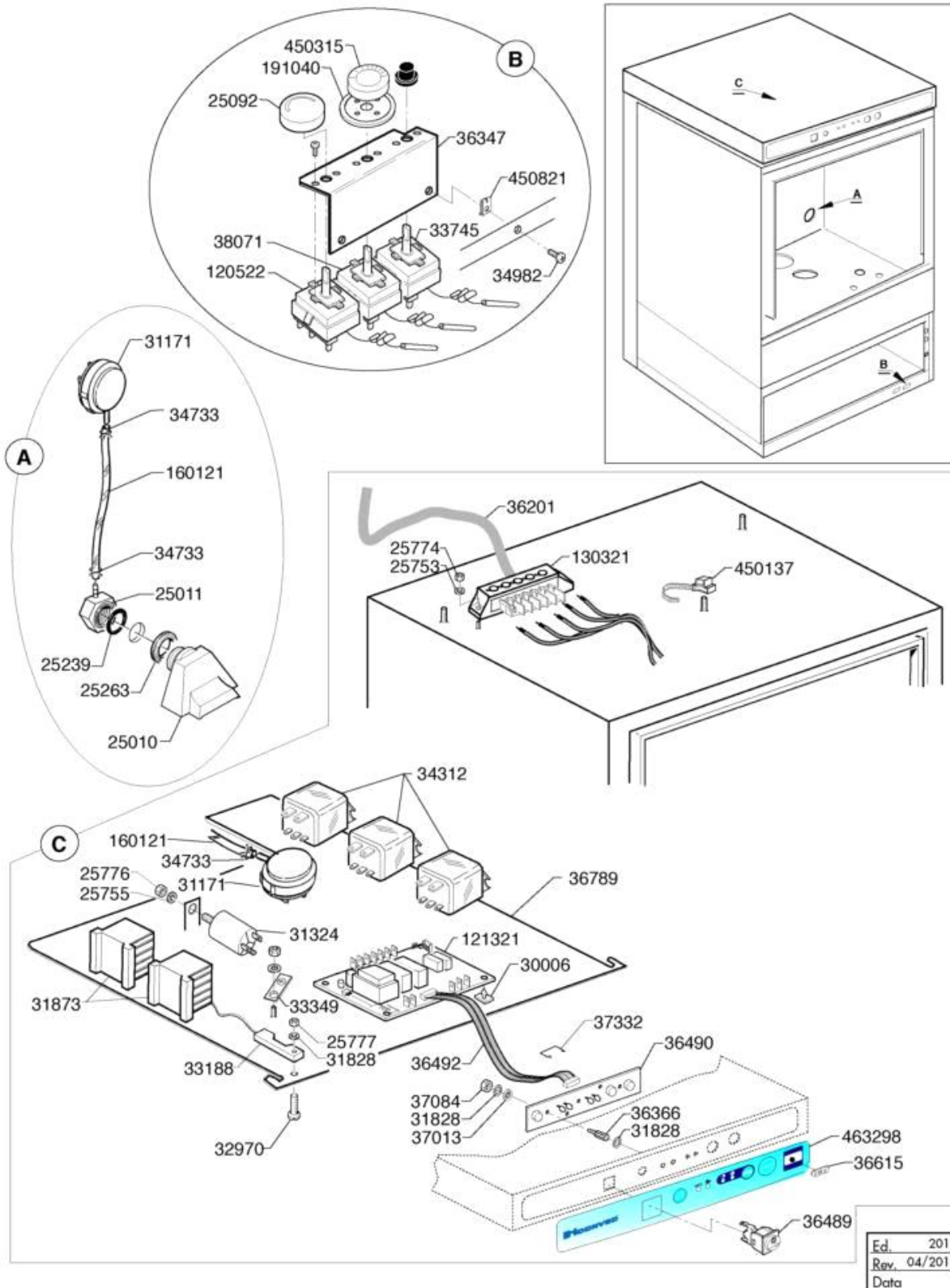
Ed.	2010
Rev.	05/2011
Data	

Composants Porte C68EBT

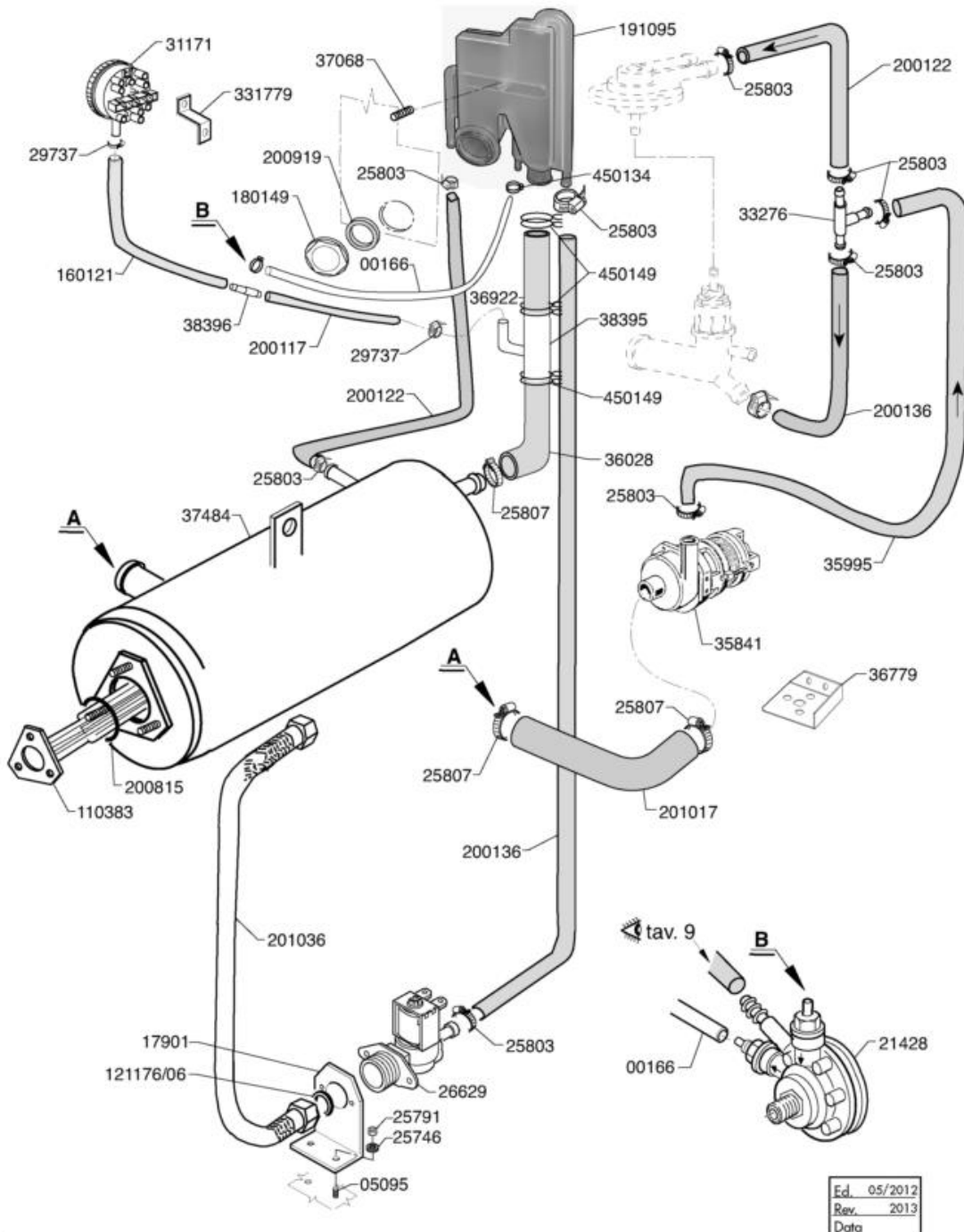
Code	Description	
160836	RONDELLA GRANO PORTA-BC/BR143	
25708	SCREW HEX.HD M 5 X 10 SS	
25743	SPACER, FLAT, DIAM. 4	
25753	TOOTHED SPACER.DIAM.5 D.E.	
25774	NUTS 5 MA	
26691	SCREW TS M 4 X 8	
30194	SELF-LOCKING NUT 4 MA	
323099	FRONTALE PORTINA C68E	
323905/7	PIASTRINA LEVERAGGIO PERNO	
32821	FLAT WASHER DIAM 5,5/15	
32969	MAGNET FOR CONTACT M350 AP	
33277	SELF-TAPPING SCREW TSP 2,9 X 9,5	
33336	ROLLER DOOR LATCH	
342087	PERNO PER PORTINE BHC/CE	
36034	DOOR HANDLE SG/SD5-RSP 50	
36582	INNER DOOR PANEL C68E-GF70	
36583	DOOR GUIDE, DX C 68 E	
36584	DOOR GUIDE, SX C 68 E	
36626	SPRING CLIPPING BRACKET, C6-60-68E	
36633	CORNER PROTECTION RUBBER C53/60 E	
36860	DOOR SPRING C68E (10,5kg)	
36900	SCREW HEX.HD M 4 X 20 SS	
36908	BUSH AT DOOR C E SERIES	
36953	DOOR ASSEMBLY CPL C68 E L589xH503	
37984	VITE TE M4x28 PARZ.FIL.6mm.	
450234	MOLLA PERNO PORTA BHC	



Code	Description	
120522	TERMOSTATO 90°C BULBO 45 TR2	
120525	TERMOSTATO 2 TEMPER. IMIT TRZ	
121291	TIMER ELETTR. 922079/01 x TAST	
130321	MORSETTIERA 6 POLI FV 122	
160121	TUBO GOMMA NERA 5X9 PRESSOST.	
191040	MASCHERINA MANOPOLA TERMOSTATI	
25010	AIR TRAP	
25011	COVER X AIR TRAP	
25092	HANDLE, BLACK WHITE INDEX	
25239	GASKET OR PB 701 3112 x AIR TRAP	
25263	FLAT GASKET 38 X 25 X 2 A. TRAP	
25753	TOOTHED SPACER. DIAM. 5 D.E.	
25755	TOOTHED SPACER DIAM. 8	
25774	NUTS 5 MA	
25776	NUTS 8 MA SS 18/8	
25777	NUTS 3 MA	
30006	SPACER FOR PRINTED CIRC. HOLDER	
31171	PRESSURE SWITCH, RATED 28/12+-3	
31324	NOISE FILTER, TYPE 5001	
31828	DENTED ROUND SPACER, EX ? 3	
31873	REMOTE SWITCH 220-240V- B6-30-10	
32970	BEVEL, CROSS-SLOT HD. SCREW TS 3 X	
33188	MAGNETIC SENSOR	
33349	INDICAT. PLATE, EARTHING	
33745	LIMITER 110? MANUAL RESET	
34312	T. RELAY A2S FA 16A 230V	
34733	WIRE PIPE CLAMP FOR 9,8-10,1 PIPE	
34982	SCREW M5X12, HALF-ROUND HD. COMBI	
36134	CONTROL BOARD PLATE C - E	
36201	RUBBER SQUARE CABLE 4gx4 H07rn-f	
36347	HOLDER THREE THERMOSTATS	
36366	SPACER FOR KEYBOARD CUTOFF SNAP H10	
36489	SWITCH CM DEV. BLUE	
36490	C HORIZ. CONTR. KEYBOARD	
36492	500 Mm. 10 Poli CONNECTION CABLE	
36615	STICKING NAMEPLATE, PANEL C 68 E	
36789	SUPPORT, ELECTR. PLANT 60 E BT	
37013	RONDELLA PIANA M3 003030500001	
37084	DADO NYLON M3	
37332	MOLLA x BLOCC. CAVO SCHEDA EL.	
450137	ATTACCO A COLLARE C/BASE 31900	
450315	MANOPOLA TERMOSTATI	
450821	PIASTRINA FASTNER 5 MA	



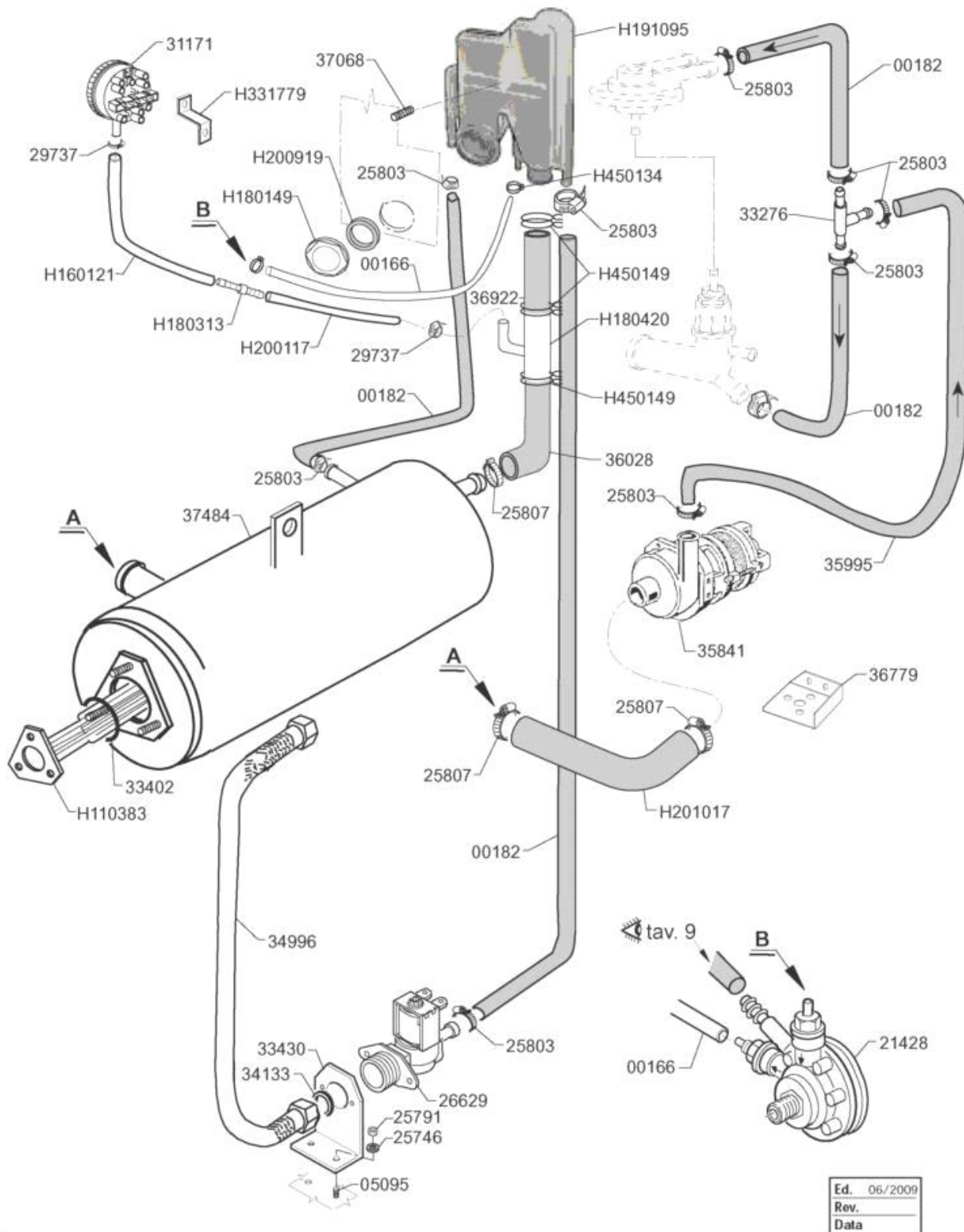
Code	Description	
120522	TERMOSTATO 90°C BULBO 45 TR2	
121321	SCH.ELT.C68E SOFTST.x TAST.3T.	
130321	MORSETTIERA 6 POLI FV 122	
160121	TUBO GOMMA NERA 5X9 PRESSOST.	
191040	MASCHERINA MANOPOLA TERMOSTATI	
25010	AIR TRAP	
25011	COVER X AIR TRAP	
25092	HANDLE, BLACK WHITE INDEX	
25239	GASKET OR PB 701 3112 x AIR TRAP	
25263	FLAT GASKET 38 X 25 X 2 A.TRAP	
25753	TOOTHED SPACER.DIAM.5 D.E.	
25755	TOOTHED SPACER DIAM.8	
25774	NUTS 5 MA	
25776	NUTS 8 MA SS 18/8	
25777	NUTS 3 MA	
30006	SPACER FOR PRINTED CIRC. HOLDER	
31171	PRESSURE SWITCH, RATED 28/12+-3	
31324	NOISE FILTER, TYPE 5001	
31828	DENTED ROUND SPACER, EX ? 3	
31873	REMOTE SWITCH 220-240V- B6-30-10	
32970	BEVEL, CROSS-SLOT HD. SCREW TS 3 X	
33188	MAGNETIC SENSOR	
33349	INDICAT.PLATE, EARTHING	
33745	LIMITER 110? MANUAL RESET	
34312	T.RELAY A2S FA 16A 230V	
34733	WIRE PIPE CLAMP FOR 9,8-10,1 PIPE	
34982	SCREW M5X12, HALF-ROUND HD. COMBI	
36201	RUBBER SQUARE CABLE 4gx4 H07rn-f	
36347	HOLDER TRHEE THERMOSTATS	
36366	SPACER FOR KEYBOARD CUTOFF SNAP H10	
36489	SWITCH CM DEV. BLUE	
36490	C HORIZ. CONTR. KEYBOARD	
36492	500 Mm. 10 Poli CONNECTION CABLE	
36615	STICKING NAMEPLATE, PANEL C 68 E	
36789	SUPPORT, ELECTR.PLANT 60 E BT	
37013	RONDELLA PIANA M3 003030500001	
37084	DADO NYLON M3	
37332	MOLLA x BLOCC. CAVO SCHEDA EL.	
38071	TERMOSTATO 2 TEMP. S&RIND	
450137	ATTACCO A COLLARE C/BASE 31900	
450315	MANOPOLA TERMOSTATI	
450821	PIASTRINA FASTNER 5 MA	
463298	TARGA COMANDI C E 2011	



Groupe Rinçage C68EBT

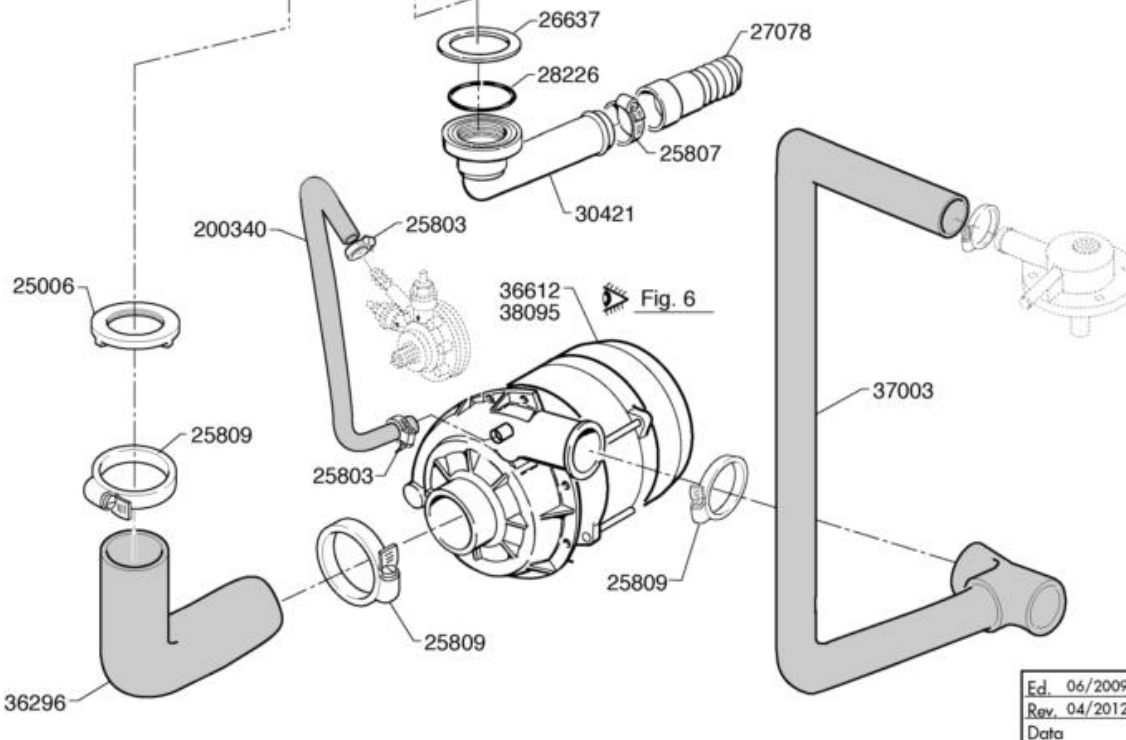
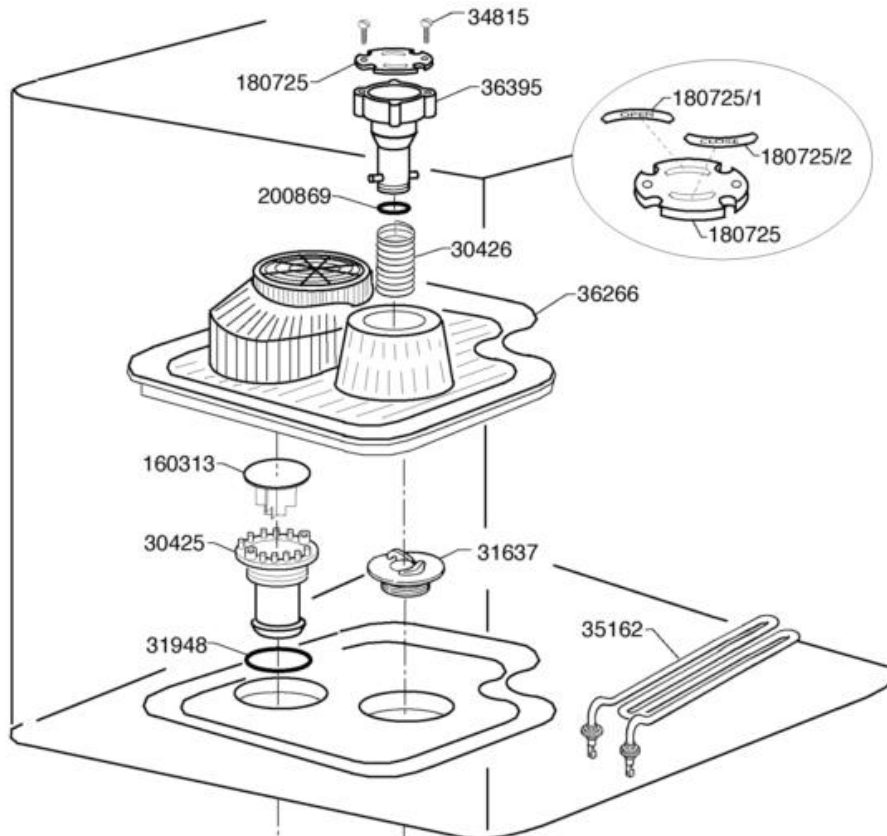
Code	Description	
00166	ROLL TUBE TRANSP. 4X7	
05095	PRIGIONIERO FILETTATO 5X10	
110383	RES.FL.6000W 240/415-5000-220V	
160121	TUBO GOMMA NERA 5X9 PRESSOST.	
17901	SOLENOID VALVE HOLDER	
180149	GHIERA x SERB. AIR GAP	
191095	SERBATOIO BREAK TANK PLAST.	
200117	TUBO GOMMA 8x15 CALORFORM/10	
200122	TUBO GOMMA 11X19 CASER/15 BLU	
200136	TUBO GOMMA 10x18 CERTIF. WRAS	
200815	GUARNIZIONE OR 6x56x68	
200919	GUARNIZIONE x PILETTA ASP.FC	
201017	MANIC.ASP.POMPA RISC.LF/FC BT	
201036	TUBO CARICO MT2 WRAS 0810024	
21428	RINSE AID DISPENSER, COMENDA(2-2825	
25746	SPACER, FLAT, DIAM.6/18	
25791	SELF-LOCKING NUT 5 MA LOWER SIDE	
25803	HOSE CLIP 13-20 ABA	
25807	HOSE CLIP 26-38 ABA	
26629	SOLENOID VALVE, SING.3/4" T/N	
29737	FE-ZN CLAMP 9 - 12	
31171	PRESSURE SWITCH, RATED 28/12+-3	
331779	SQUADRETTA PRESSOST."B"	
33276	T-SHAPED CONNECTOR ?11,5-PART180413	
35841	PUMP, 0,2 KW ZF131DX 230V-60BT	
35995	DELIVERY SLEEVE, RINSE PUMP	
36028	RUBBER HOSE, BOILER/T-SHAPE AIR GAP	
36779	HOLDING SUPP. RINSING PUMP	
36922	RUB.HOSE,TEE/SERB. A.G.L=235	
37068	PRIGIONIERO FILETTATO 5X25	
37484	BOILER C 68 E BT	
38395	TEE AIR GAP INOX	
38396	RACCORDO DRITTO A PORTAGOMMA	
450134	FASCETTA A FILO X TUB. 9,3-8,8	
450149	FASCETTA A 2 FILI D.34.6x36.4	

Rinse Assembly C68EBT



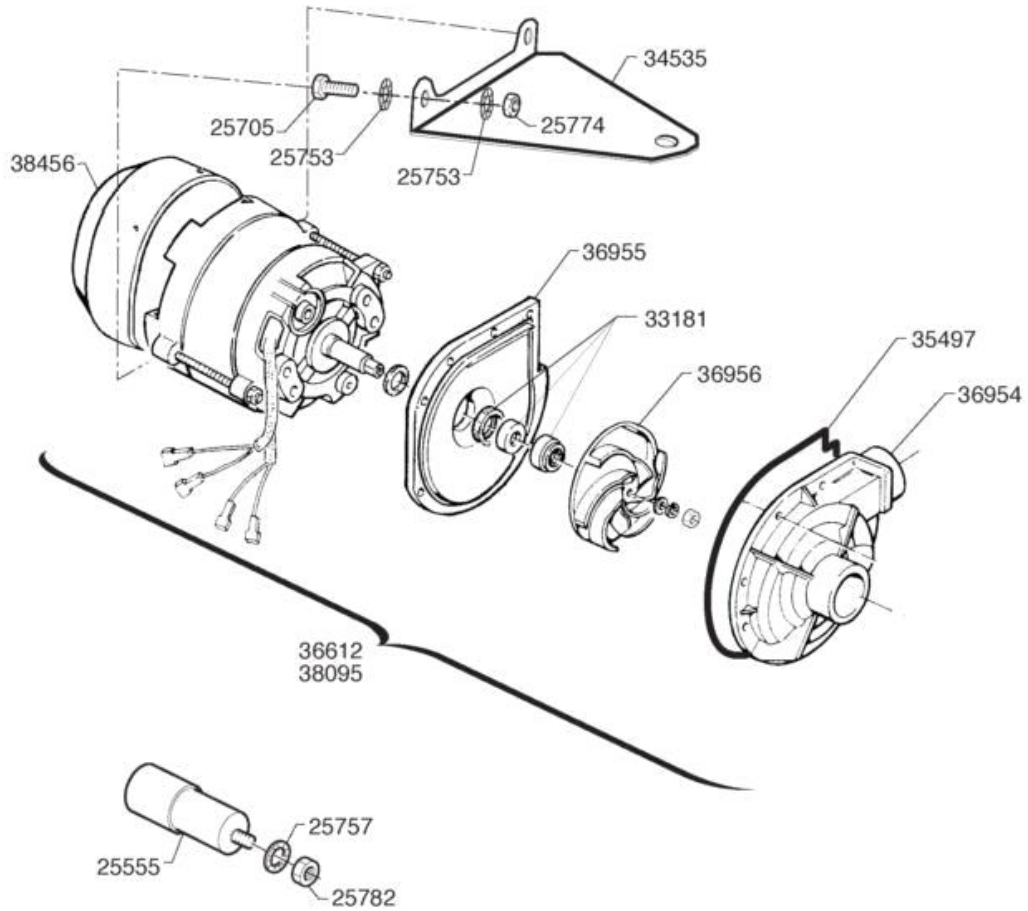
Rinse Assembly C68EBT

Code	Description	
00166	ROLL TUBE TRANSP. 4X7	
00182	HOSE 11X19 CASER/15"BLUE"	
05095	PRIGIONIERO FILETTATO 5X10	
110383	RES.FL.6000W 240/415-5000-220V	
160121	TUBO GOMMA NERA 5X9 PRESSOST.	
180149	GHIERA x SERB. AIR GAP	
180313	PORTAG.PLAST.DOPPIO D.8-6 BT	
180420	TEE AIR GAP	
191095	SERBATOIO BREAK TANK PLAST.	
200117	TUBO GOMMA 8x15 CALORFORM/10	
200919	GUARNIZIONE x PILETTA ASP.FC	
201017	MANIC.ASP.POMPA RISC.LF/FC BT	
21428	RINSE AID DISPENSER, COMENDA(2-2825	
25746	SPACER, FLAT, DIAM.6/18	
25791	SELF-LOCKING NUT 5 MA LOWER SIDE	
25803	HOSE CLIP 13-20 ABA	
25807	HOSE CLIP 26-38 ABA	
26629	SOLENOID VALVE, SING.3/4" T/N	
29737	FE-ZN CLAMP 9 - 12	
31171	PRESSURE SWITCH, RATED 28/12+-3	
331779	SQUADRETTA PRESSOST."B"	
33276	T-SHAPED CONNECTOR ?11,5-PART180413	
33402	GASKET OR 6X56X68	
33430	STANDARD SQ.BRACKET	
34133	CONTROL QTY 14 LT.	
34996	FILLING HOSE, 90? VDE	
35841	PUMP, 0,2 KW ZF131DX 230V-60BT	
35995	DELIVERY SLEEVE, RINSE PUMP	
36028	RUBBER HOSE, BOILER/T-SHAPE AIR GAP	
36779	HOLDING SUPP. RINSING PUMP	
36922	RUB.HOSE,TEE/SERB. A.G.L=235	
37068	PRIGIONIERO FILETTATO 5X25	
37484	BOILER C 68 E BT	
450134	FASCETTA A FILO X TUB. 9,3-8,8	
450149	FASCETTA A 2 FILI D.34.6x36.4	



Ed.	06/2009
Rev.	04/2012
Data	

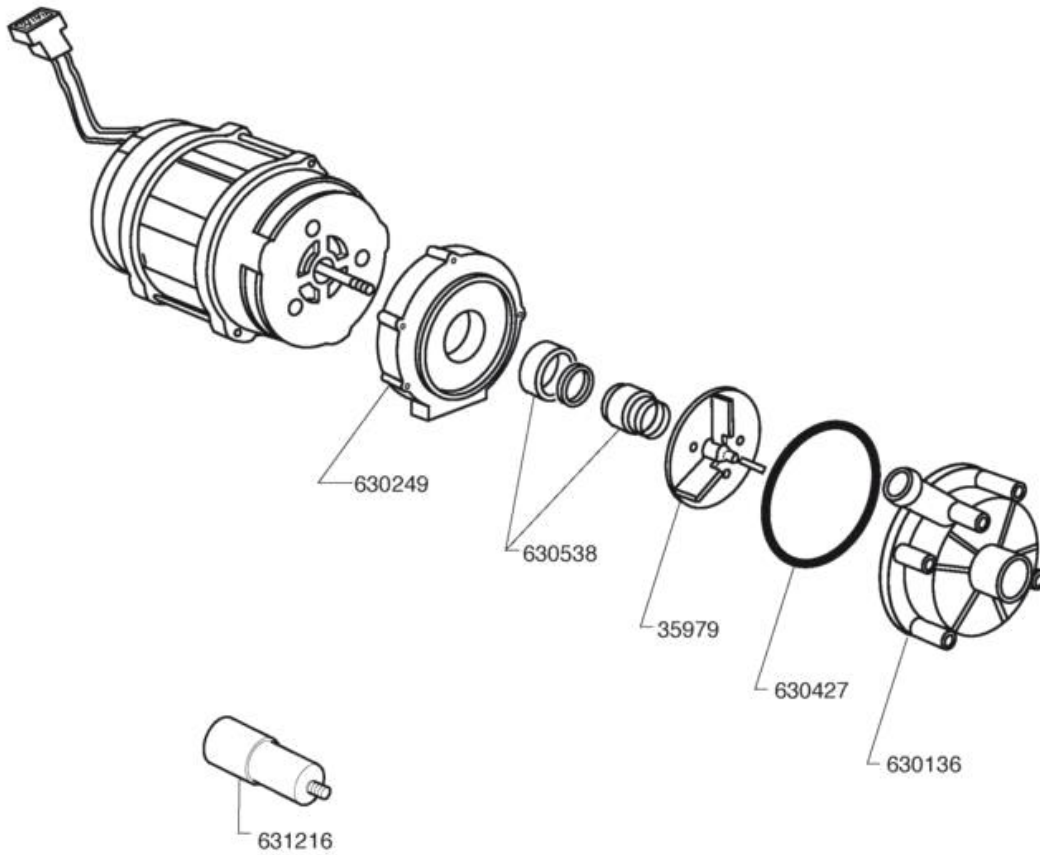
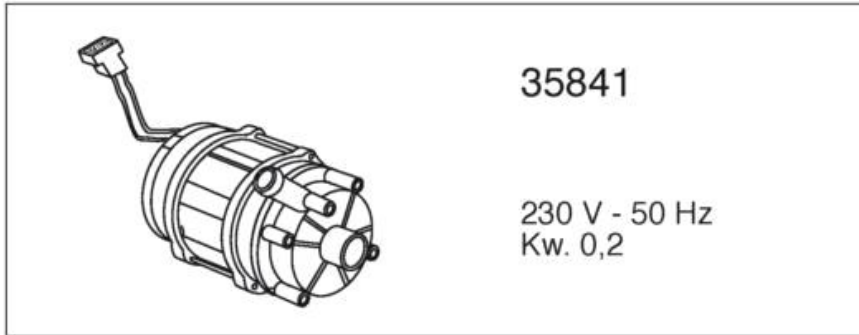
Code	Description	
160313	ROMPIGORGO ASPIR.POMPA BC	
180725	COPERCHIO TROPPOPIENO BHC ?	
180725/1	PLACCHETTA OPEN X COPER.180725	
180725/2	PLACCHETTA CLOSE XCOPER.180725	
200340	MANIC. B25-7-12-CON.SAL. +BRILL	
200869	GUARN.OR 3,53X20,22 X 27,28	
25006	NUT FO DRAIN SUCT. P.	
25803	HOSE CLIP 13-20 ABA	
25807	HOSE CLIP 26-38 ABA	
25809	HOSE CLIP 40-64CLAM	
26637	FLAT GASKET 55 X 42 X 2	
27078	DRAIN HOSE, DIA.24X1500	
28226	GASKET OR 3181 FOR DRAIN LUG	
30421	DRAIN FITTING, LONG	
30425	SUCTION PIPE UNION	
30426	SPRING FOR OVERFLOW TUBE	
31637	CROSSLESS HOOK SLEEVE	
31948	GASKET OR	
34815	CROSS-SL.HD SELF-TAP.SCREW3,9 X 13	
35162	HEAT.EL. V. 2000 W-230V RAC.SS	
36266	TANK FILTER CPL C 53-60 E	
36296	SUCTION SLEEVE C 53/60 E	
36395	OVERFLOW TUBE PREASS.C53/60 E H=12	
36612	WASH PUMP HP. 1 C 68 E	
37003	MANICOTTO MAND.LAV. C 68 E	
38095	ELETTROP.HP.1 200/230V 60Hz	



Ed. 06/2009
Rev. 03/2014
Data

Wash Pump C68EBT

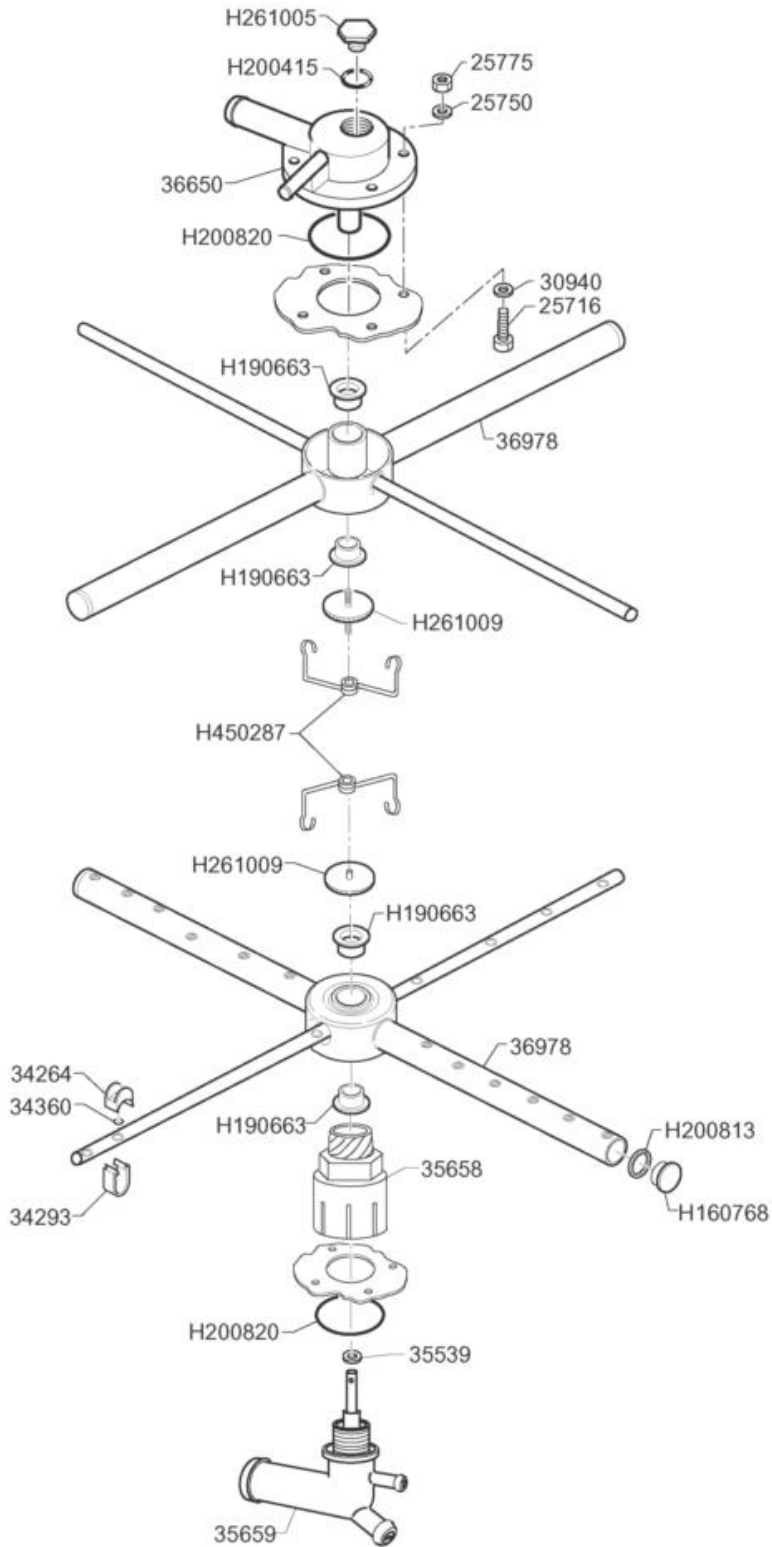
Code	Description	
25555	CAPACITOR UF 12,5-450 V	
25705	SCREW HEX.HD M 5 X 16 SS 18/8	
25753	TOOTHED SPACER.DIAM.5 D.E.	
25757	TOOTHED SPACER DIAM. 12 D.E.D787	
25774	NUTS 5 MA	
25782	NUT 8 MA	
33181	SHAFT SEAL C3 (LGB)FOR PUMP CODE 32	
34535	ADAPT.PLATE TO FIX PUMP LGB	
35497	GASKET OR 94,97 X 1,78 LGB	
36612	WASH PUMP HP. 1 C 68 E	
36954	ELECTR.PUMP SCROLL, ZF220V SX(36612	
36955	FLANGE, WASH PUMP ZF220V SX(36612)	
36956	IMPELLER WASH P.ZF220V SX(36612)	
38095	ELETTROP.HP.1 200/230V 60Hz	
38456	COPRIVENT.xELET.PA 34800(LGB)	



Ed.	06/2009
Rev.	10/2010
Data	

Rinse Pump C68EBT

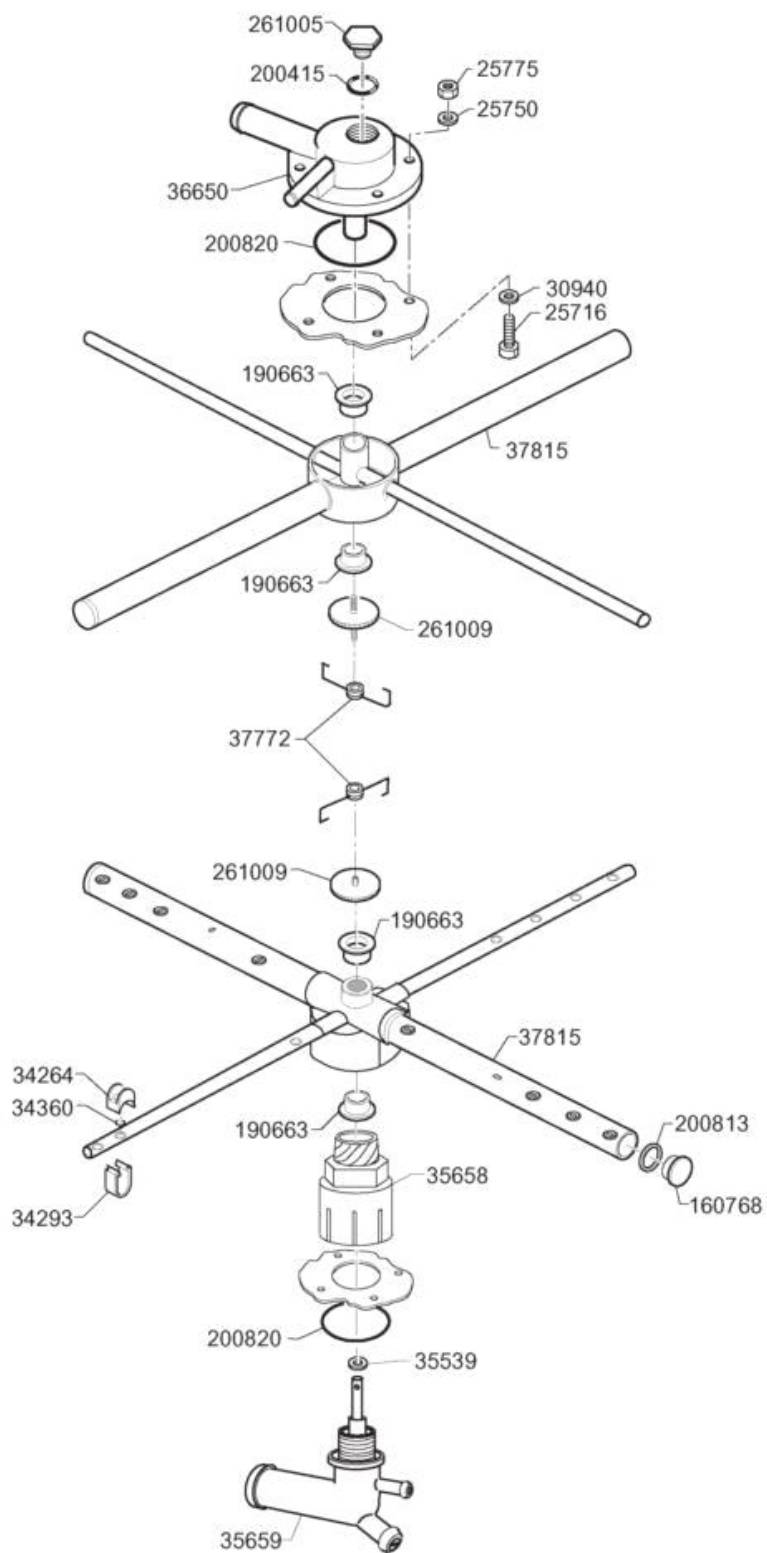
Code	Description	
35841	PUMP, 0,2 KW ZF131DX 230V-60BT	
35979	IMPELLER ZF130 D.73 3P x (35841)	
630427	GUARNIZIONE OR X POMPA ZF131DX	
630538	TENUT.POMP.LGBZF131DX GIR.INOX	
631216	CONDENSATORE 6,3 mF.450V	



Ed.	06/2009
Rev.	
Data	

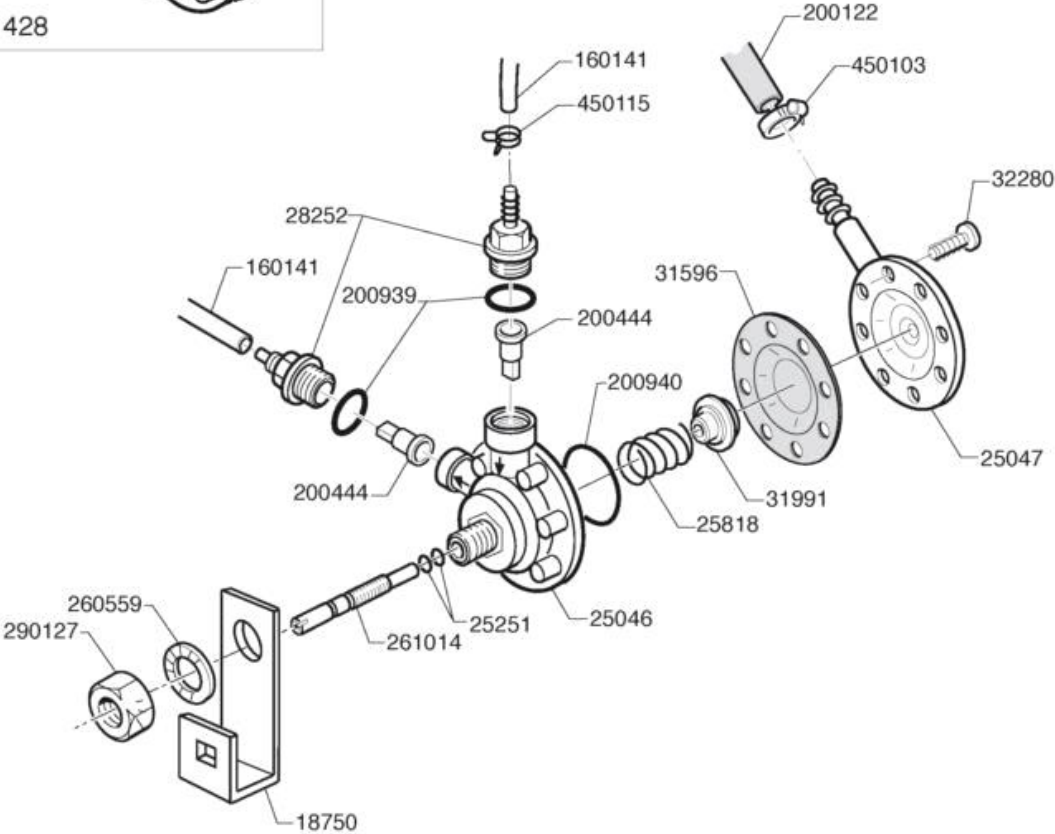
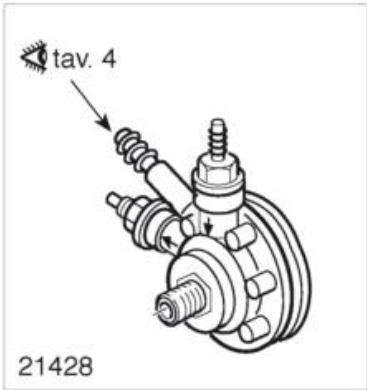
Wash/Rinse Arm C68EBT

Code	Description	
160768	TAPPO X MULINELLO LAV. "C"	
190663	BUSSOLA MUL.RIS.APS HFM-121407	
200415	GUARNIZ.DUTRAL 18,5X10X3-F 2	
200813	GUARNIZ. OR 2,21x16,36x20,78	
200820	GUARN.OR 5,33X46,99X57,6	
25716	SCREW HEX.HD M 6 X 20 SS	
25750	SPACER, SPLITTED, DIAM. 6	
25775	NUT 6 MA	
261005	TAPPO VITE CHIUS.PIPA SUP.MUL.	
261009	VITE FISS. MULINELLO TUB.ACC.	
30940	FLAT SPACER, BLACK, DIA. 6	
34264	RINSE JET WITH SPRING	
34293	JET LOCK SPRING	
34360	GASKET OR 7 X 1 NBR 70	
35539	SPACER RING H=12 X (35659)	
35658	LOWER COLUMN C6	
35659	HOLDER, LOWER REV.ARM C6	
36650	LUG,D.44.2 H=172, UPPER REV.ARM C68	
36978	MULIN.LAV/RISC.GF70 (420579/S)	
450287	MOLLA FISS. MULIN.420579 GF70	



Ed.	10/2010
Rev.	
Data	

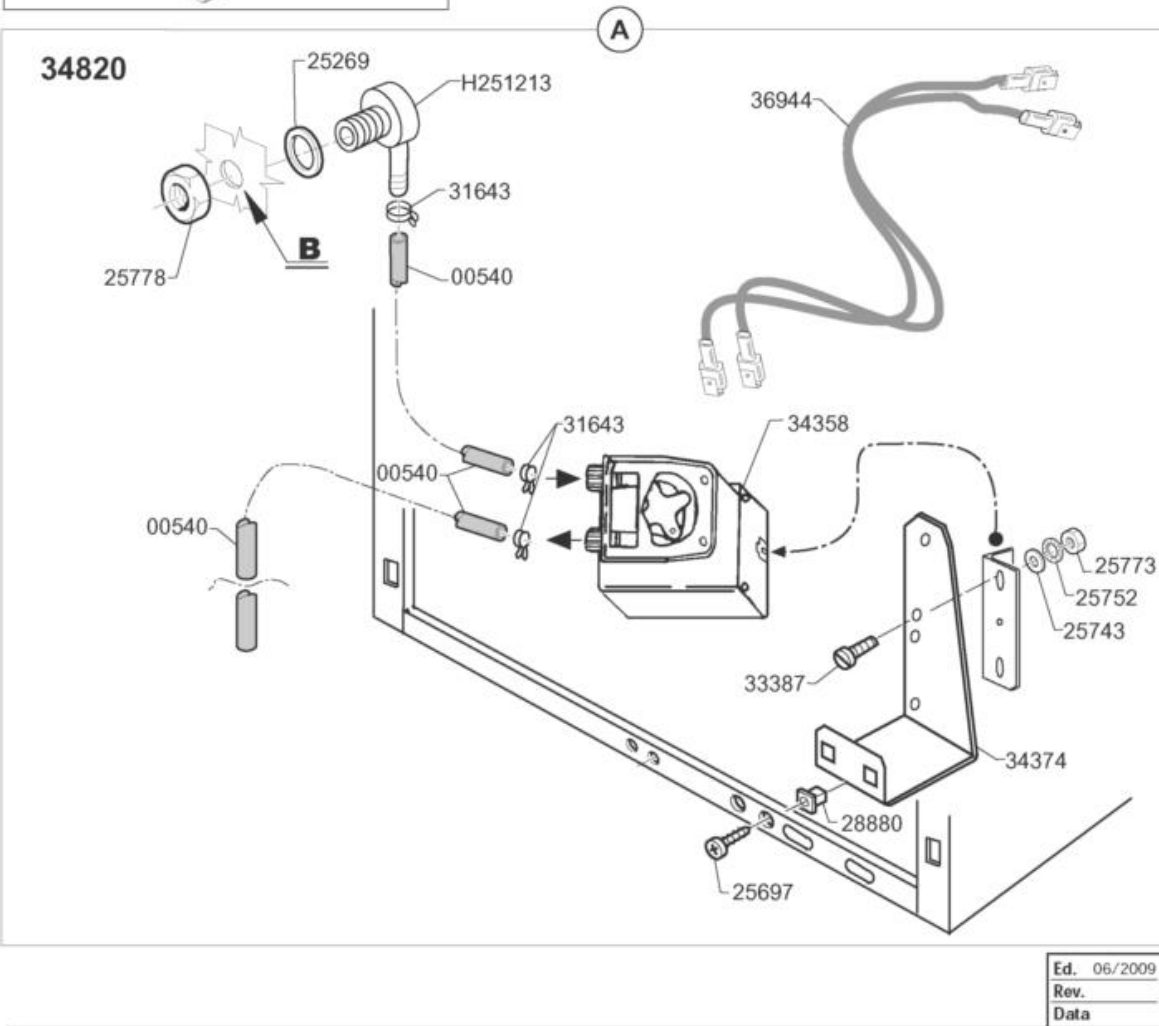
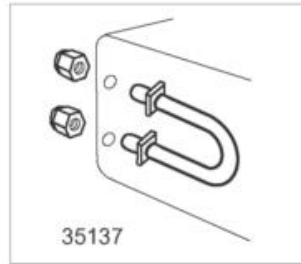
Code	Description	
160768	TAPPO X MULINELLO LAV. "C"	
190663	BUSSOLA MUL.RIS.APS HFM-121407	
200415	GUARNIZ.DUTRAL 18,5X10X3-F 2	
200813	GUARNIZ. OR 2,21x16,36x20,78	
200820	GUARN.OR 5,33X46,99X57,6	
25716	SCREW HEX.HD M 6 X 20 SS	
25750	SPACER, SPLITTED, DIAM. 6	
25775	NUT 6 MA	
261005	TAPPO VITE CHIUS.PIPA SUP.MUL.	
261009	VITE FISS. MULINELLO TUB.ACC.	
30940	FLAT SPACER, BLACK, DIA. 6	
34264	RINSE JET WITH SPRING	
34293	JET LOCK SPRING	
34360	GASKET OR 7 X 1 NBR 70	
35539	SPACER RING H=12 X (35659)	
35658	LOWER COLUMN C6	
35659	HOLDER, LOWER REV.ARM C6	
36650	LUG,D.44.2 H=172, UPPER REV.ARM C68	
37772	MOLLA FISS.VITE MULIN.GF70/07	
37815	MULIN.LAV/RISC.C68/GF70 2007	



Ed.	06/2009
Rev.	
Data	

Rinse Aid Injector C68EBT

Code	Description	
160141	TUBETTO TRASP. BLU 4X7 ROTOLO	
18750	SQUARE, RINSE AGENT DISPENSER	
200122	TUBO GOMMA 11X19 CASER/15 BLU	
200444	VALVOLA ASP.DOSATORE SILICONE	
200939	OR RACC.MAND/ASP.DOS.	
21428	RINSE AID DISPENSER, COMENDA(2-2825	
25046	UPPER DISPENSER ASSEMBLY	
25047	LOWER DISPENSER ASSEMBLY	
25251	GASKET OR 2012	
25818	CYLINDER SPRING (WIRE)	
260559	ROND.DENT.INOX A2D.12 DIN6798	
261014	VITE REGOLAZIONE DOS.BRILL.HVD	
28252	FITTING SUCTION DISPENSER	
290127	DADO FISS. DOSATORE	
31596	DIAPHRAGM, DISPENSER	
31991	SPRING GUIDE FOR DISPENSER	
32280	OVAL HD. CROSS-SL. SCREW 4 X 13	
450103	FASCETTA FE ZN.13-20 H=9	
450115	FASCETTA A DUE FILI D.8,3/7,8	



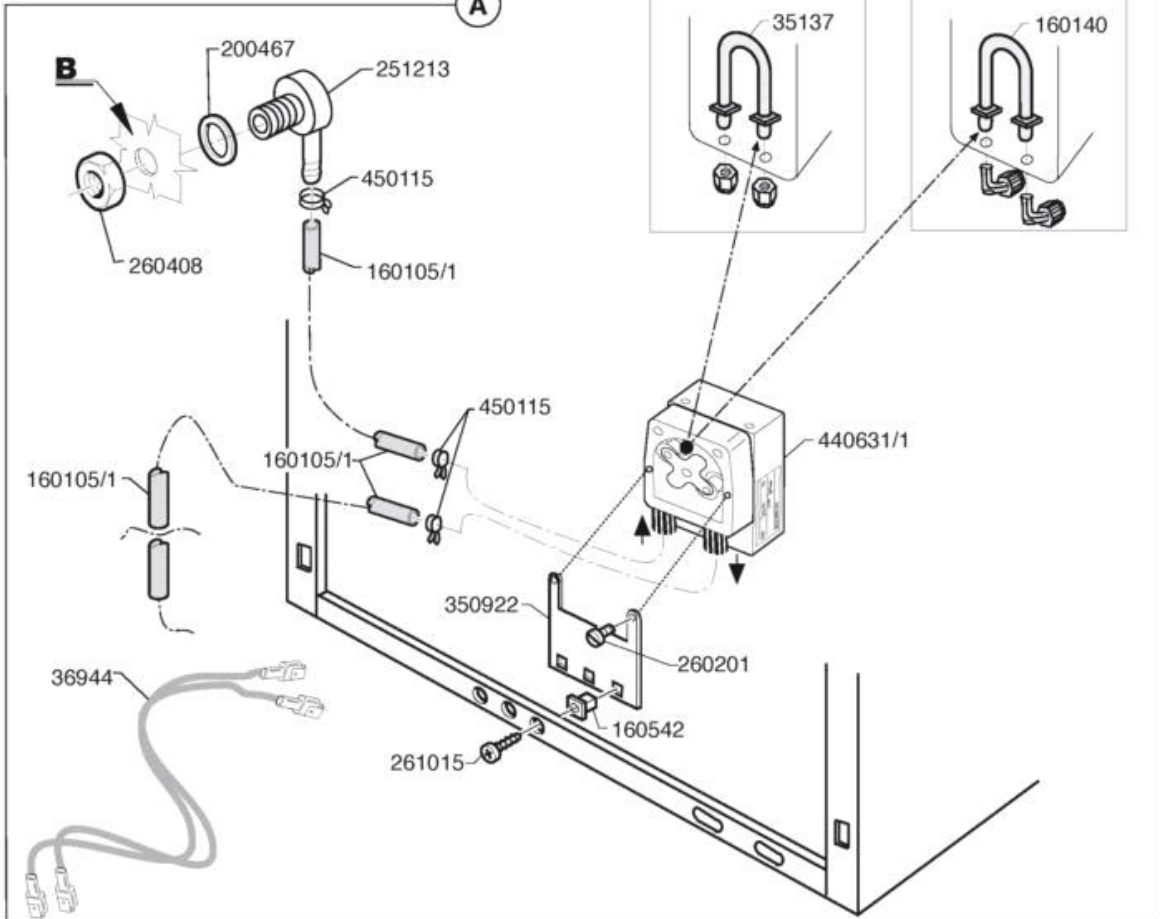
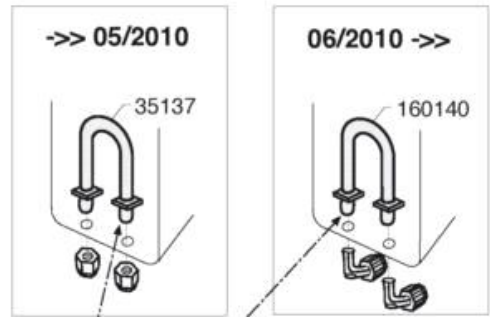
Detergent Pump C68EBT

Code	Description	
00540	RED TUBE 8X4 ROLL	
251213	PORTAG.A GOMITO INOX POMPA DET	
25269	FLAT GASKET	
25697	SELF-TAPPING SCREW CHEESE D747H.ROS	
25743	SPACER, FLAT, DIAM. 4	
25752	TOOTHED SPACER DIAM.4 D.E.	
25773	NUTS 4 MA SS 18/8	
25778	NUTS 12 M 18/8 ss	
28880	NUT SCREW	
31643	HOSE CLIP 7,3-7,8	
33387	HEX.HD SCREW 4X16 SS A2 UNI 5739	
34358	DETERGENT PUMP PERISTALSISTIC	
34374	FIXING BRACKET, DETERG.PUMP	
34820	KIT: DETERG.PUMP, SEKO BR3LT INT.M.	
35137	PUMP HOSE DET.SEKO PG3	
36944	CONN. WIRES, DETERGENT PUMP C E	



A

650138



B

Ed. 09/2010
Rev.
Data

Detergent Pump C68EBT ->> 06/10

Code	Description	
160105/1	TUBO FL.CRIST.D.6X4 DOS.ROSSO	
160140	TUBETTO PD SEKO RACCORDO A 90?	
160542	MADREVITE	
200467	GUARN. DUTRAL TRAPPOLA PRESS.	
251213	PORTAG.A GOMITO INOX POMPA DET	
260201	VITE TCP 3X10 INOX A2 UNI 6107	
260408	DADI STAMPATI D12 INOX UNI5588	
261015	VITE AUTOF.T/TCROCE 4,2X13 ZIG	
350922	PIASTRA FISS.PD SEKO 440631/1	
35137	PUMP HOSE DET.SEKO PG3	
36944	CONN. WIRES, DETERGENT PUMP C E	
440631/1	DOS.DET.ELT.SEKO NBR-3 230V	
450115	FASCETTA A DUE FILI D.8,3/7,8	
650138	KIT POMPA DETERSIVO SEKO PBR3	