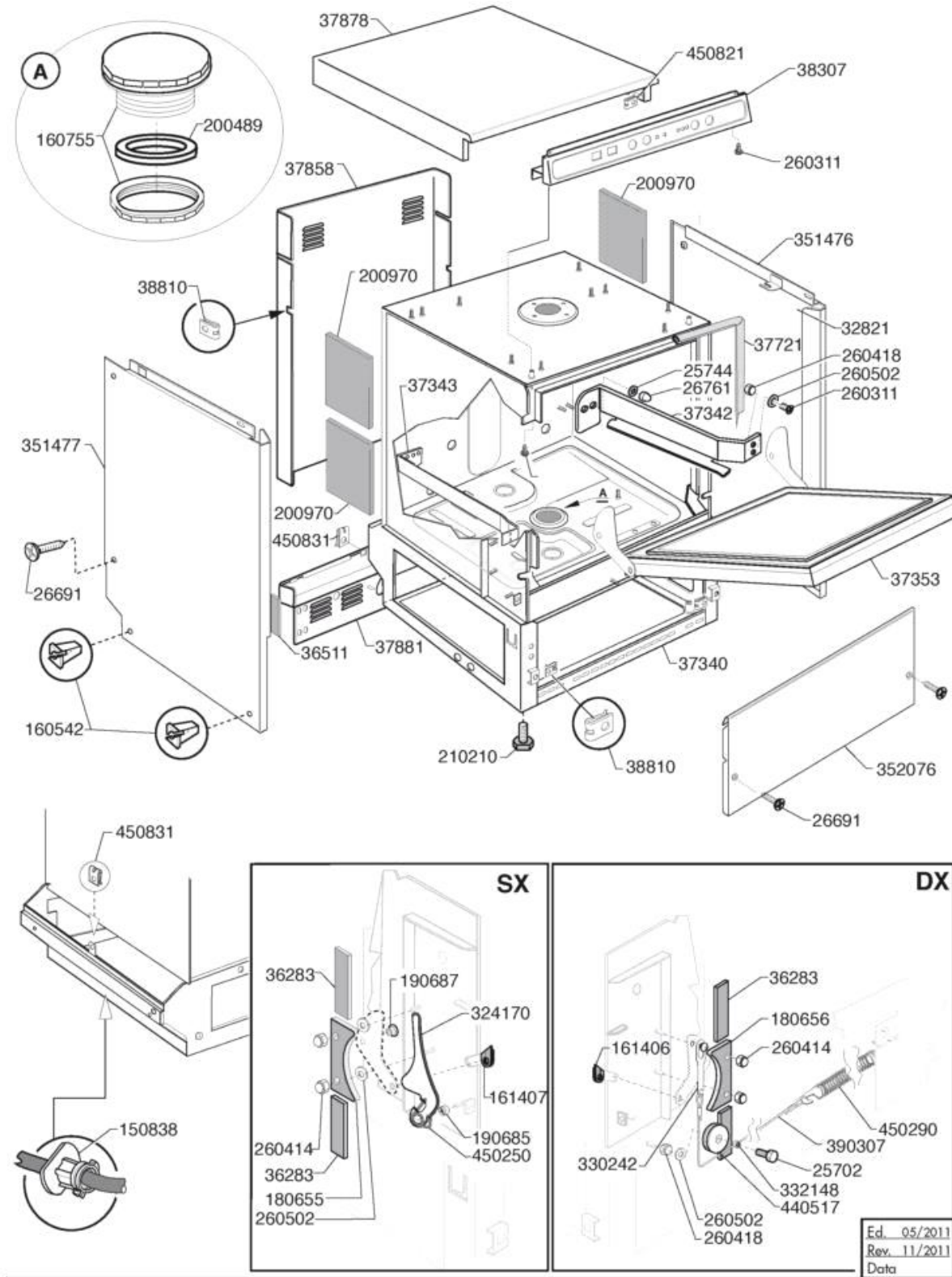
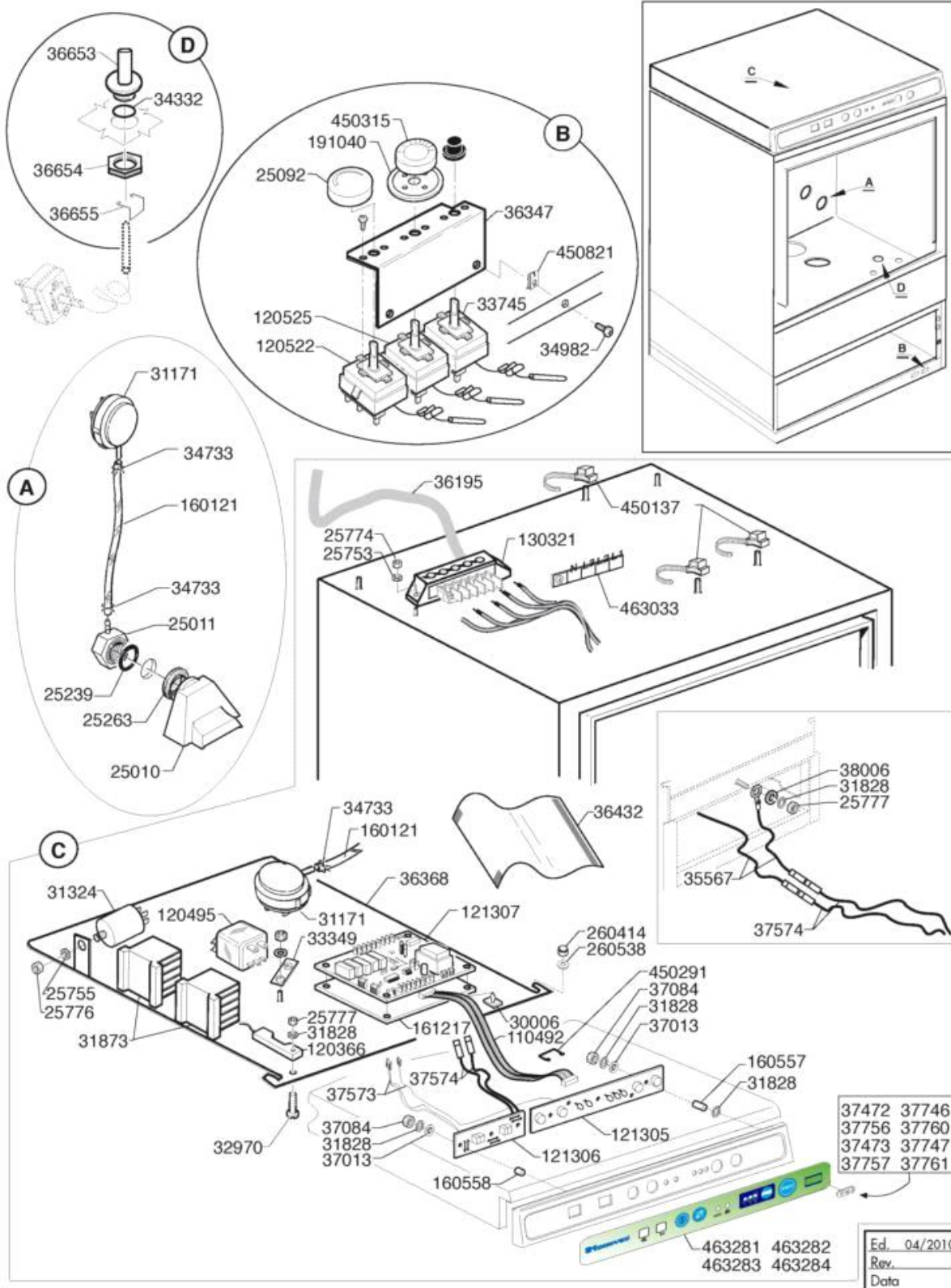


Code	Description	
160755	TAPPO + GHIERA 180127 FORO SAL	
200489	GUAR. PIATTA 86x72x2 TAPPO SAL	
25209	FEET, HEXAG. BASE	
25693	SELF-TAPPING SCREW BEVEL H. 4,2X13	
25697	SELF-TAPPING SCREW CHEESE D747H.ROS	
25702	SCREW CHEESE-H. KNURLED 4X14	
25743	SPACER, FLAT, DIAM. 4	
25744	SPACER, FLAT, DIAM.5	
25746	SPACER, FLAT, DIAM.6/18	
25791	SELF-LOCKING NUT 5 MA LOWER SIDE	
25831	PLATE FOR SELFTHREAD. SCREW SIDES 7	
26761	NUT BLIND 5 MA	
28880	NUT SCREW	
30194	SELF-LOCKING NUT 4 MA	
32821	FLAT WASHER DIAM 5,5/15	
33749	CABLE CLAMP PA 277	
35031	BEVEL, CROSS-SL.HD SCREW M 4 X 12	
36283	SELF-ADHESIVE GASKET 20X10	
37339	MOLLA FERMO PORTA SERIE ST/E	
37340	CARROZZERIA CPL ST/AP 60 E	
37342	GUIDA CESTELLO DX ST/AP 60E	
37343	GUIDA CESTELLO SX ST/AP 60E	
37345	SUPPORTO TARGA COMANDI ST 60E	
37349	PANNELLO FRONTALE ST/AP 60 E	
37353	PORTA CPL ST/AP 60E STAMPATA	
37380	ASTINA TIRANTE MOLLA ST	
37381	BUSSOLA x RULLO 37382	
37382	RULLO x SCORRIMENTO FUNE	
37440	FUNE D'ACCIAIO D.1,5 X 345	
37445	GOMMINO x CERNIERA PORTA DX	
37446	GOMMINO x CERNIERA PORTA SX	
37448	BUSSOLA GUIDA MOLLA FERMO PORT	
37449	BUSSOLA INNESTO MOLLA ST/E	
37587	VITE TE M 5 X 8 INOX	
37588	QUADROTTO AD.POL.ES.150x125x10	
37675	MOLLA BILANC.PORTA+PIASTRINE	
37721	GUARNIZIONE x PORTA ST/AP60E	
37783	PATTINO SX GUIDA LEVA PORT. ST	
37784	PATTINO DX GUIDA LEVA PORT. ST	
37858	PANNELLO POSTER.ST/AP 60-LFD32	
37878	PANNELLO SUP.COM. ST/AP 60 E	
37879	PANNELLO LATER. DX ST/AP 60 E	
37880	PANNELLO LATER. SX ST/AP 60 E	
37881	PANNELLO POST.BAS.C/ST/AP 60E	
450821	PIASTRINA FASTNER 5 MA	



## Hood ST60E+DE-DP50E+DE '09

Code	Description	Price (EUR)
150838	PRESSACAVO EGB TIPO PA277 BHC	0.00
160542	MADREVITE	0.43
160755	TAPPO + GHIERA 180127 FORO SAL	8.28
161406	GOMMINO x CERNIERA PORTA DX	5.56
161407	GOMMINO x CERNIERA PORTA SX	5.63
180655	PATTINO SX GUIDA LEVA P.ST/LFD	1.23
180656	PATTINO DX GUIDA LEVA P.ST/LFD	1.23
190685	BUSS.INN.MOLLA LEV.PORTA ST/BC	3.81
190687	BUSSOLA GUIDA MOLLA FERMO PORT	7.51
200489	GUAR. PIATTA 86x72x2 TAPPO SAL	2.59
200970	QUADROTTO AD.POL.ES.150x125x10	1.13
210210	PIEDINO BASE ESAGONALE H=30	2.40
25702	SCREW CHEESE-H. KNURLED 4X14	0.60
25744	SPACER, FLAT, DIAM.5	0.12
260311	VITE TSP INOX 4X12 A2 UNI61	1.55
260414	DADO AUTOBL."M5"304 BASSO TORN	2.22
260418	DADO AUTOBLOC."M4"INOX BASSO	1.55
260502	RONDEL.PIANE D4 INOX UNI 6592	1.32
26691	SCREW TS M 4 X 8	0.44
26761	NUT BLIND 5 MA	1.16
324170	PIASTRA LEVERAGGIO MOLLA ST/BC	11.37
32821	FLAT WASHER DIAM 5,5/15	0.35
330242	TIRANTE MOLLA LFD/BC/STE	8.79
332148	BUSSOLA PER RULLO 440517	2.74
351476	PANN.LAT.DX ST/AP60E(2014)	76.44
351477	PANN.LAT.SX ST/AP60E(2014)	76.44
352076	PANN.FRONT.ST/AP60-LFD32 NEUT.	48.17
36283	SELF-ADHESIVE GASKET 20X10	4.47
36511	GUARNIZIONE MASTICE 3M 08611	0.00
37340	CARROZZERIA CPL ST/AP 60 E	0.00
37342	GUIDA CESTELLO DX ST/AP 60E	43.16
37343	GUIDA CESTELLO SX ST/AP 60E	43.16
37353	PORTA CPL ST/AP 60E STAMPATA	351.29
37721	GUARNIZIONE x PORTA ST/AP60E	26.90
37858	PANNELLO POSTER.ST/AP 60-LFD32	0.00
37878	PANNELLO SUP.COM. ST/AP 60 E	111.25
37881	PANNELLO POST.BAS.C/ST/AP 60E	0.00
38307	SUPPORTO TARGA COM. CPL ST60E	61.97
38810	PIASTRINA RPI 0130 C M4	0.00
390307	FUNE D'ACCIAIO D.1,5 X 275	8.58
440517	RULLO X SCORRIMENTO FUNE LFD	7.96
450250	MOLLA LEVERAGGIO PORTA ST/BC	4.66
450290	MOLLA BIL.PORTA+PIAS.LFD/BC/ST	8.79
450821	PIASTRINA FASTNER 5 MA	0.17
450831	FASTENERS x AUTOF.3,9mm	0.79



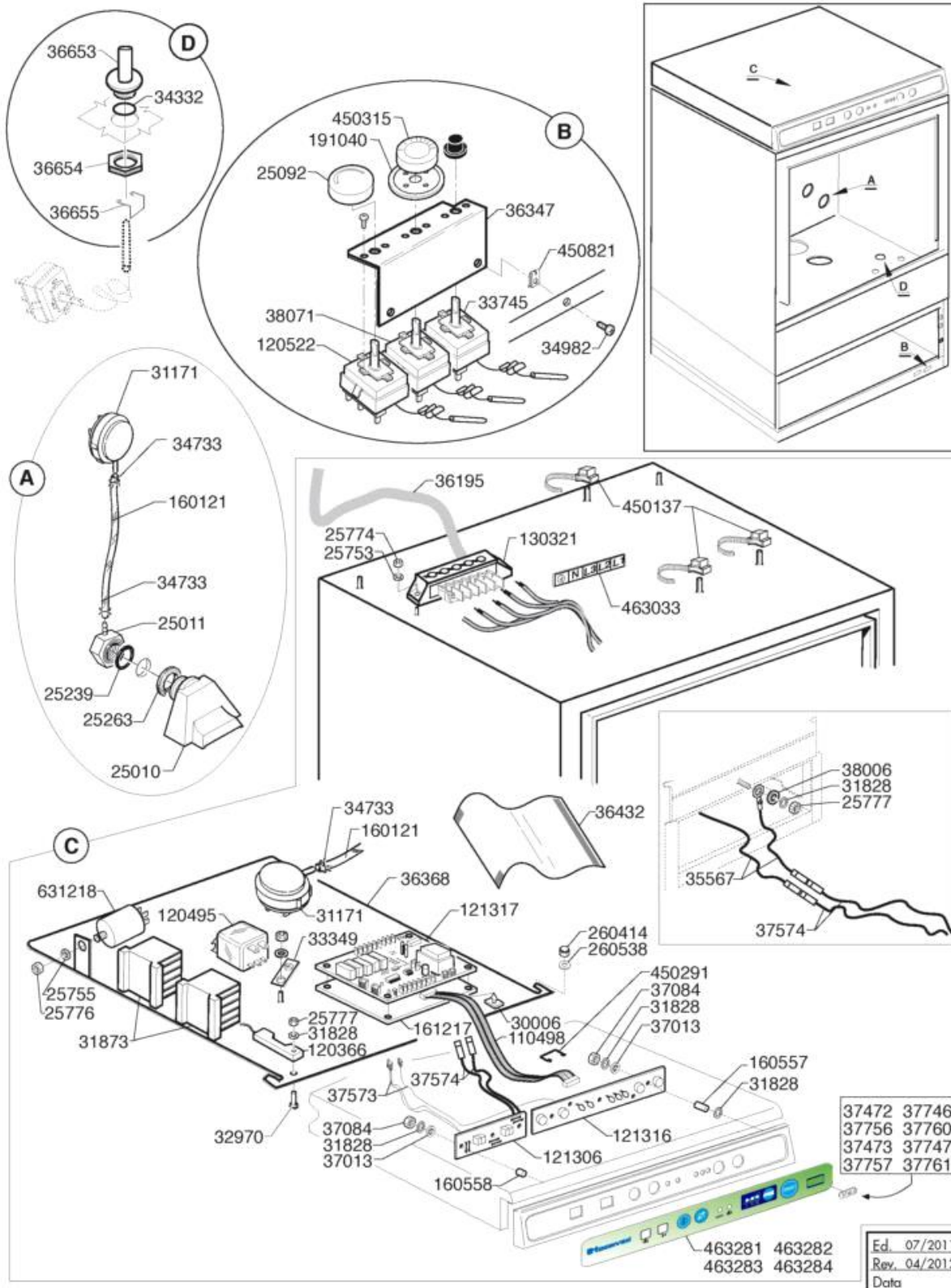


## Control Box ST53/60E+DE-DP45/50E+DE

Code	Description	
120366	SENSORE MAGNETICO E 510	
120495	RELE' TIPO 62.82 16A 250V.	
120522	TERMOSTATO 90°C BULBO 45 TR2	
120525	TERMOSTATO 2 TEMPER. IMIT TRZ	
121305	PULSANT.4TASTI STE/LFD LED BLU	
121306	SCHEDA DISPLAY ROSSO TERMOMETR	
121307	SCH.ELT.LFD/ST/E SOFTSTART	
130321	MORSETTIERA 6 POLI FV 122	
160121	TUBO GOMMA NERA 5X9 PRESSOST.	
160557	DISTANZ.ALTO PER TAST.COMANDI	
160558	DISTANZ.BASSO PER SCH.TERMOM.	
161217	PROTEZ.TIMER ELETTR.SOFT START	
191040	MASCHERINA MANOPOLA TERMOSTATI	
25010	AIR TRAP	
25011	COVER X AIR TRAP	
25092	HANDLE, BLACK WHITE INDEX	
25239	GASKET OR PB 701 3112 x AIR TRAP	
25263	FLAT GASKET 38 X 25 X 2 A.TRAP	
25753	TOOTHED SPACER.DIAM.5 D.E.	
25755	TOOTHED SPACER DIAM.8	
25774	NUTS 5 MA	
25776	NUTS 8 MA SS 18/8	
25777	NUTS 3 MA	
260414	DADO AUTOBL."M5"304 BASSO TORN	
260538	RONDELLA STAMP.18X6X1,5 INOX9	
30006	SPACER FOR PRINTED CIRC. HOLDER	
31171	PRESSURE SWITCH, RATED 28/12+-3	
31324	NOISE FILTER, TYPE 5001	
31828	DENTED ROUND SPACER, EX ? 3	
31873	REMOTE SWITCH 220-240V- B6-30-10	
32970	BEVEL, CROSS-SLOT HD. SCREW TS 3 X	
33349	INDICAT.PLAQUE, EARTHING	
33745	LIMITER 110? MANUAL RESET	
34332	GASKET OR 128 SUPP.PLUG	
34733	WIRE PIPE CLAMP FOR 9,8-10,1 PIPE	
34982	SCREW M5X12, HALF-ROUND HD. COMBI	
35567	PROBE TEMP. NTC 3.3K YELLOW	
36195	SUPPLY CABLE 5Gx1,5 H07RN-F	
36347	HOLDER TRHEE THERMOSTATS	
36368	ELECTRIC PLANT SUPPORT C E	
36432	SAF. THERMOSTAT PROTECT. APS/C81/C9	
36653	STAINL.ST.SHIELD FOR THERMOSTAT H=5	
36654	NUT x STAINL.ST.SHIELD x THERM. 1/2	
36655	STAINL.ST.SHIELD x THERM. SPRING	
37013	RONDELLA PIANA M3 003030500001	

## Control Box ST53/60E+DE-DP45/50E+DE

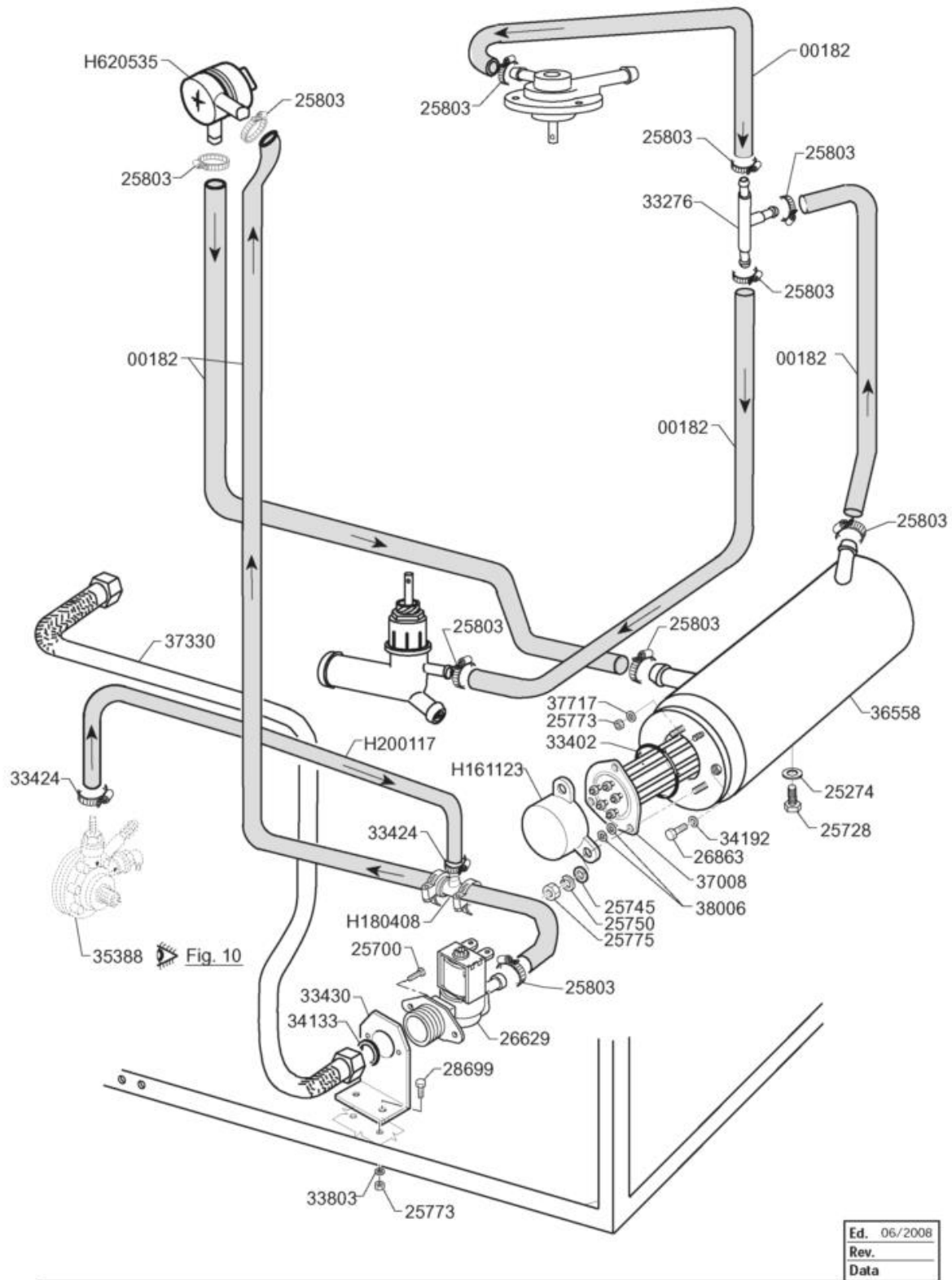
Code	Description	
37084	DADO NYLON M3	
37472	TARGHETTA RES.ADES. ST53E	
37473	TARGHETTA RES.ADES. ST60E	
37573	FILI con CONN.AMP MOD2 x TAST.	
37574	CAVETTO CONN. AMP.MOD2	
37746	TARGHETTA RES.ADES. DP45E	
37747	TARGHETTA RES.ADES. DP50E	
37756	TARGHETTA RES.ADES. ST53DE	
37757	TARGHETTA RES.ADES. ST60DE	
37760	TARGHETTA RES.ADES. DP45DE	
37761	TARGHETTA RES.ADES. DP50DE	
38006	RONDELLA PIANA M4x12 DIN9021A2	
450137	ATTACCO A COLLARE C/BASE 31900	
450291	MOLLA BLOCC.CAVO SCHEDA H37332	
450315	MANOPOLA TERMOSTATI	
450821	PIASTRINA FASTNER 5 MA	
463033	TARGHETTA INDIC. LINEA TRIFASE	
463281	TARGA COM.ST43/48/53E T/ROSSO	
463282	TARGA COM.ST 60E T/ROSSO	
463283	TARGA COM.DP35/40/45E T/ROSSO	
463284	TARGA COM.DP50E T/ROSSO	





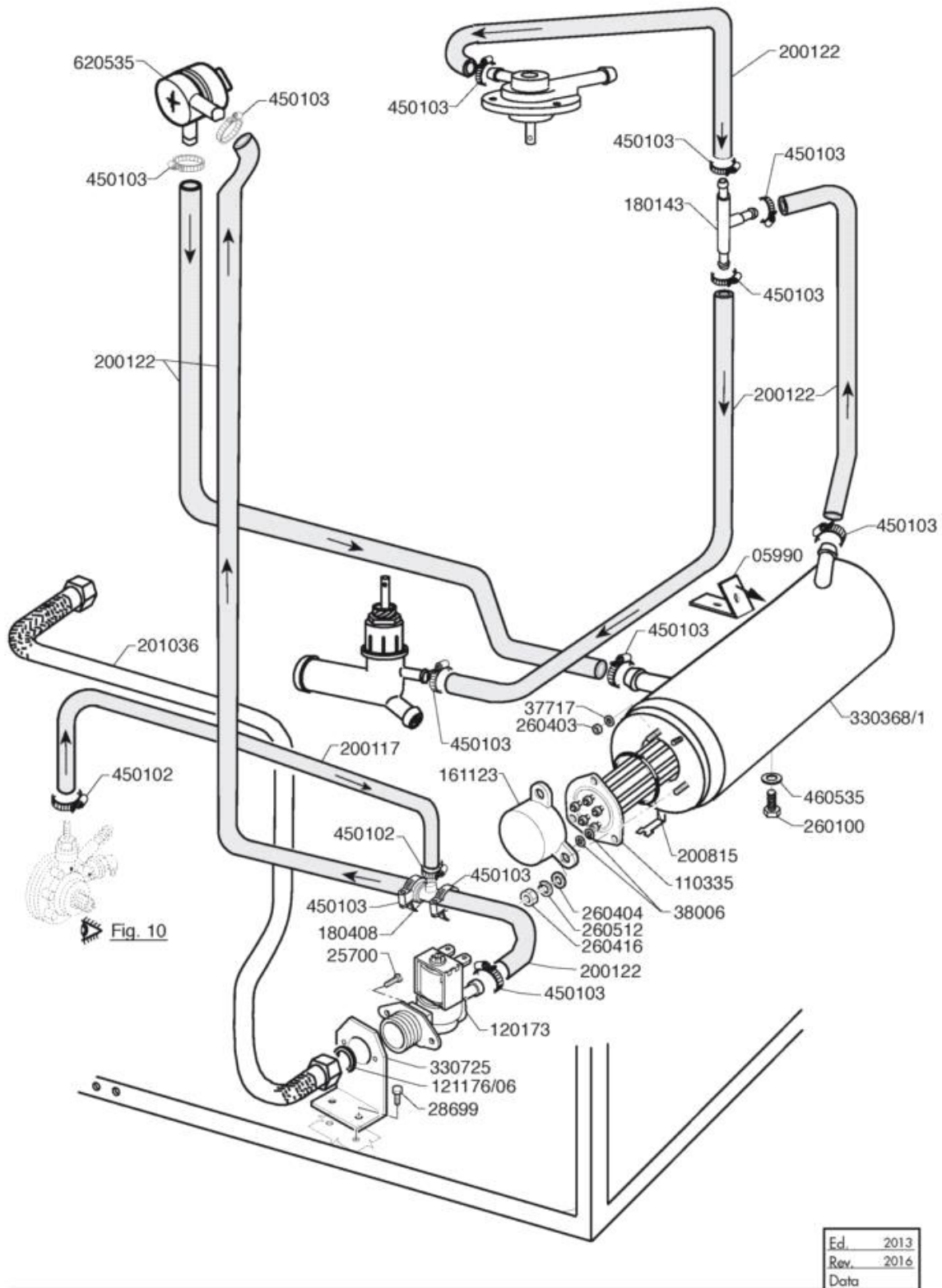
Code	Description	
110498	CAVO COLLEG. 500 MM. 10 POLI	
120366	SENSORE MAGNETICO E 510	
120495	RELE' TIPO 62.82 16A 250V.	
120522	TERMOSTATO 90°C BULBO 45 TR2	
121306	SCHEDA DISPLAY ROSSO TERMOMETR	
121316	PULSANT.4TASTI RETROIL.LED BLU	
121317	SCH.ELT.LFDE/BCE/STE RETROILL.	
130321	MORSETTIERA 6 POLI FV 122	
160121	TUBO GOMMA NERA 5X9 PRESSOST.	
160557	DISTANZ.ALTO PER TAST.COMANDI	
160558	DISTANZ.BASSO PER SCH.TERMOM.	
161217	PROTEZ.TIMER ELETTR.SOFT START	
191040	MASCHERINA MANOPOLA TERMOSTATI	
25010	AIR TRAP	
25011	COVER X AIR TRAP	
25092	HANDLE, BLACK WHITE INDEX	
25239	GASKET OR PB 701 3112 x AIR TRAP	
25263	FLAT GASKET 38 X 25 X 2 A.TRAP	
25753	TOOTHED SPACER.DIAM.5 D.E.	
25755	TOOTHED SPACER DIAM.8	
25774	NUTS 5 MA	
25776	NUTS 8 MA SS 18/8	
25777	NUTS 3 MA	
260414	DADO AUTOBL."M5"304 BASSO TORN	
260538	RONDELLA STAMP.18X6X1,5 INOX9	
30006	SPACER FOR PRINTED CIRC. HOLDER	
31171	PRESSURE SWITCH, RATED 28/12+-3	
31828	DENTED ROUND SPACER, EX ? 3	
31873	REMOTE SWITCH 220-240V- B6-30-10	
32970	BEVEL, CROSS-SLOT HD. SCREW TS 3 X	
33349	INDICAT.PLATE, EARTHING	
33745	LIMITER 110°C MANUAL RESET	
34332	GASKET OR 128 SUPP.PLUG	
34733	WIRE PIPE CLAMP FOR 9,8-10,1 PIPE	
34982	SCREW M5X12, HALF-ROUND HD. COMBI	
35567	PROBE TEMP. NTC 3.3K YELLOW	
36195	SUPPLY CABLE 5Gx1,5 H07RN-F	
36347	HOLDER TRHEE THERMOSTATS	
36368	ELECTRIC PLANT SUPPORT C E	
36432	SAF. THERMOSTAT PROTECT. APS/C81/C9	
36653	STAINL.ST.SHIELD FOR THERMOSTAT H=5	
36654	NUT x STAINL.ST.SHIELD x THERM. 1/2	
36655	STAINL.ST.SHIELD x THERM. SPRING	
37013	RONDELLA PIANA M3 003030500001	
37084	DADO NYLON M3	

Code	Description	
37472	TARGHETTA RES.ADES. ST53E	
37473	TARGHETTA RES.ADES. ST60E	
37573	FILI con CONN.AMP MOD2 x TAST.	
37574	CAVETTO CONN. AMP.MOD2	
37746	TARGHETTA RES.ADES. DP45E	
37747	TARGHETTA RES.ADES. DP50E	
37756	TARGHETTA RES.ADES. ST53DE	
37757	TARGHETTA RES.ADES. ST60DE	
37760	TARGHETTA RES.ADES. DP45DE	
37761	TARGHETTA RES.ADES. DP50DE	
38006	RONDELLA PIANA M4x12 DIN9021A2	
38071	TERMOSTATO 2 TEMP. S&RIND	
450137	ATTACCO A COLLARE C/BASE 31900	
450291	MOLLA BLOCC.CAVO SCHEDA H37332	
450315	MANOPOLA TERMOSTATI	
450821	PIASTRINA FASTNER 5 MA	
463033	TARGHETTA INDIC. LINEA TRIFASE	
463281	TARGA COM.ST43/48/53E T/ROSSO	
463282	TARGA COM.ST 60E T/ROSSO	
463283	TARGA COM.DP35/40/45E T/ROSSO	
463284	TARGA COM.DP50E T/ROSSO	
631218	FILTRO ANTID.PASSANTE 16A L-C	



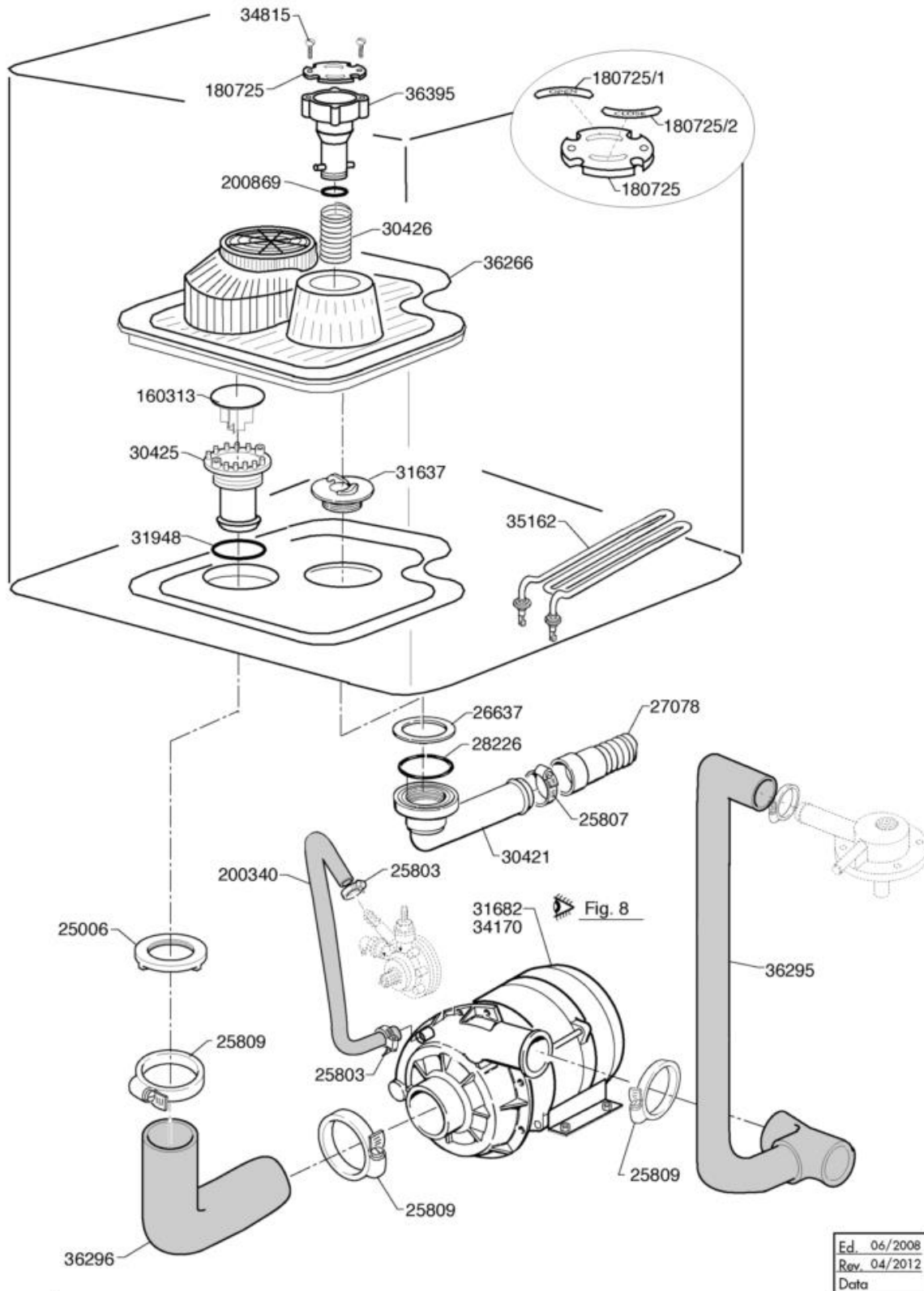
## Rinse Assembly/Dv ST53/60E-DP45/50E

Code	Description
00182	HOSE 11X19 CASER/15"BLUE"
161123	COPRIRESISTENZA H 42 (BASSO)
180408	PORTAG.T DOSAT.ATT.CENTR.RID.
200117	TUBO GOMMA 8x15 CALORFORM/10
25274	FLAT GASKET 12 X 6 X 2
25700	SCREW CHEESE-H. 4 X 8 KNURLED
25728	SCREW HEX.HD M 8 X 10 SS
25745	SPACER, FLAT, DIAM.6
25750	SPACER, SPLITTED, DIAM. 6
25773	NUTS 4 MA SS 18/8
25775	NUT 6 MA
25803	HOSE CLIP 13-20 ABA
26629	SOLENOID VALVE, SING.3/4" T/N
26863	HEX HD SCREW 6 X 8 STAINLESS S.
28699	CHEESE-HD SCREW TC 4 X 10
33276	T-SHAPED CONNECTOR ?11,5-PART180413
33402	GASKET OR 6X56X68
33424	FE-ZN CLAMP 11-17 H=9
33430	STANDARD SQ.BRACKET
33803	SPACE WASHER, GROWER DIAM.4
34133	CONTROL QTY 14 LT.
34192	SEAL WASHER
35388	RINSE AID DISP."YELLOW" C/STS
36558	BOILER CPL C 53 60 E
37008	RESIS. FL57/6,5 4000W.220/380V
37330	TUBO CARICO 10bar-90?-3/4"G
37717	RONDELLA contact INOX A2 M4
38006	RONDELLA PIANA M4x12 DIN9021A2
620535	VALVOLA ANTIVUOTO "B-F-C"



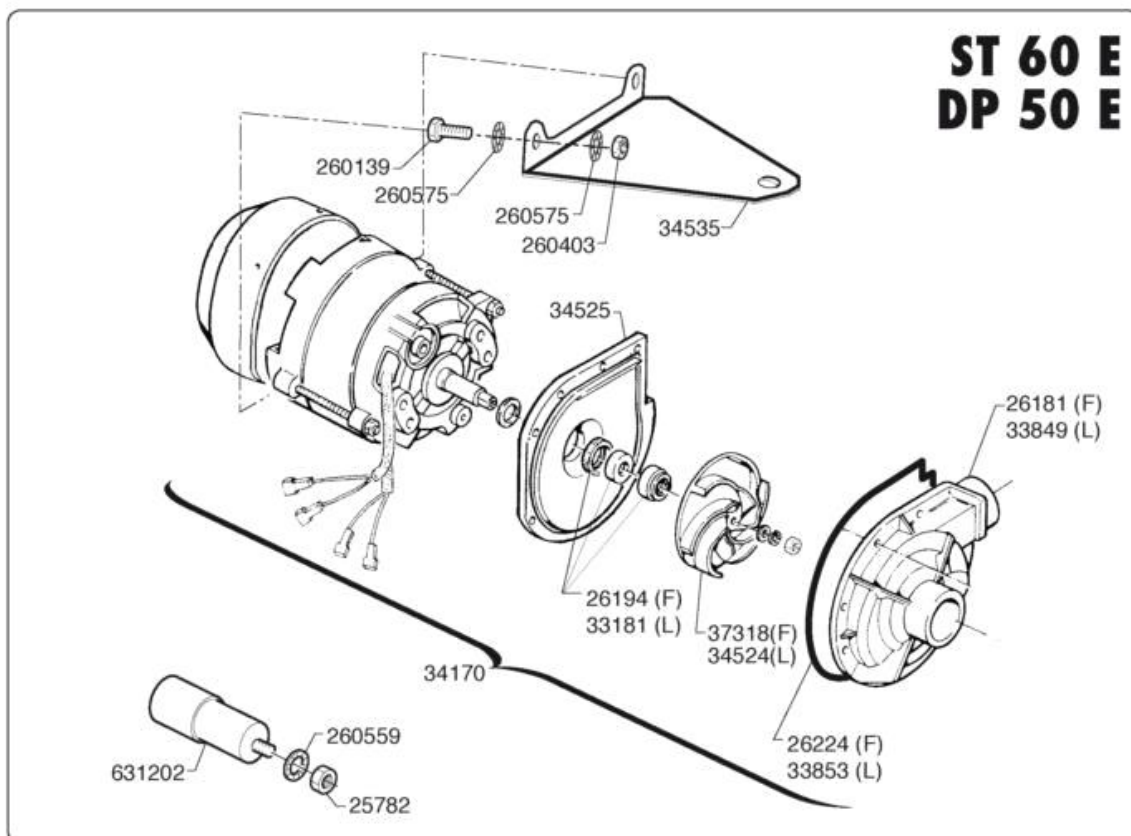
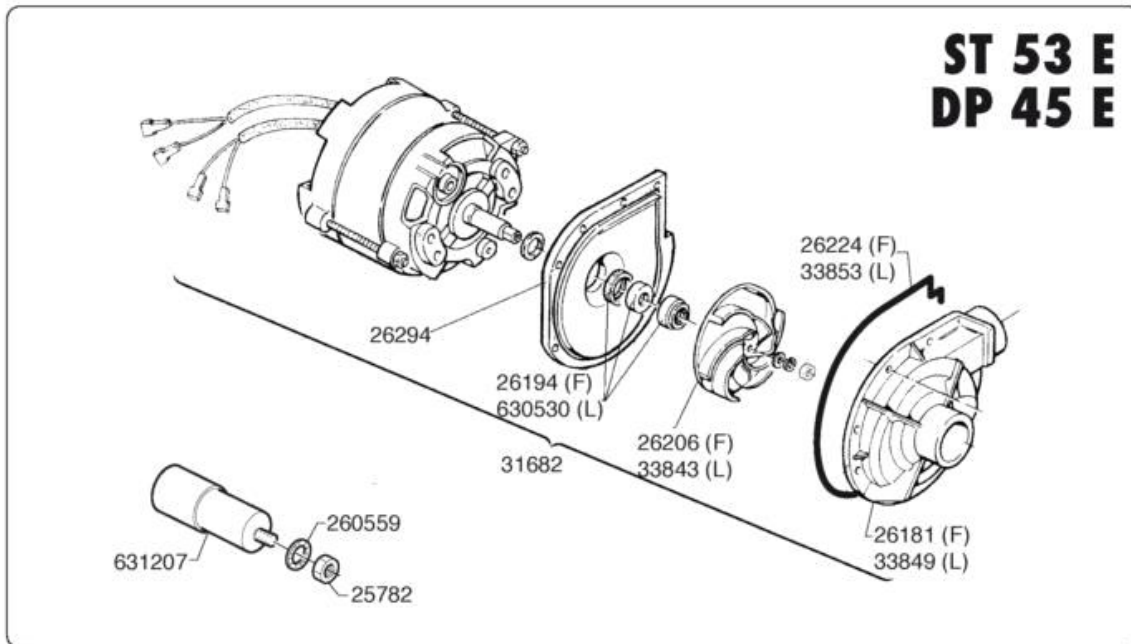


Code	Description
05990	STAFFA LAT.FISS.BOILER 36558/1
110335	RESIS. FL57/6,5 4000W.220/380V
120173	ELETTROVALVOLA TP 1VIA 180?
121176/06	REGOLAT.PORTATA 14 l/min.VERDE
161123	COPRIRESISTENZA H 42 (BASSO)
180408	PORTAG.T DOSAT.ATT.CENTR.RID.
200117	TUBO GOMMA 8x15 CALORFORM/10
200122	TUBO GOMMA 11X19 CASER/15 BLU
200815	GUARNIZIONE OR 6x56x68
201036	TUBO CARICO MT2 WRAS 0810024
25700	SCREW CHEESE-H. 4 X 8 KNURLED
260100	VITE TE 6X8 INOX A2 UNI 5739
260403	DADI STAMP. D5 INOX UNI 5588
260404	DADI TORNITI INOX"M6"UNI-5588
260416	DADI"M6"INOX A2 "5587"Stampati
260512	RONDEL.GROWER D6 INOX UNI 1751
28699	CHEESE-HD SCREW TC 4 X 10
330368/1	BOILER 53-60-68/HC
330725	SQUADRETTA UNIFICATA
37717	RONDELLA contact INOX A2 M4
38006	RONDELLA PIANA M4x12 DIN9021A2
450102	FASCETTA FE ZN 11-17 H=9
450103	FASCETTA FE ZN.13-20 H=9
460535	GUARN.X TAPPO SCAR.BOILER BHC
620535	VALVOLA ANTIVUOTO "B-F-C"



## Tank ST53/60E+DE-DP45/50E+DE

Code	Description
160313	ROMPIGORGO ASPIR.POMPA BC
180725	COPERCHIO TROPPOPIENO BHC ?
180725/1	PLACCHETTA OPEN X COPER.180725
180725/2	PLACCHETTA CLOSE XCOPER.180725
200340	MANIC. B25-7-12-CON.SAL. +BRILL
200869	GUARN.OR 3,53X20,22 X 27,28
25006	NUT FO DRAIN SUCT. P.
25803	HOSE CLIP 13-20 ABA
25807	HOSE CLIP 26-38 ABA
25809	HOSE CLIP 40-64CLAM
26637	FLAT GASKET 55 X 42 X 2
27078	DRAIN HOSE, DIA.24X1500
28226	GASKET OR 3181 FOR DRAIN LUG
30421	DRAIN FITTING, LONG
30425	SUCTION PIPE UNION
30426	SPRING FOR OVERFLOW TUBE
31637	CROSSLESS HOOK SLEEVE
31682	CENTRIF WASH PUMP, 0,75 HP
31948	GASKET OR
34170	WASH PUMP HP. 1 STS/C60 C80
34815	CROSS-SL.HD SELF-TAP.SCREW3,9 X 13
35162	HEAT.EL. V. 2000 W-230V RAC.SS
36266	TANK FILTER CPL C 53-60 E
36295	DELIV.SLEEVE C 53/60 E
36296	SUCTION SLEEVE C 53/60 E
36395	OVERFLOW TUBE PREASS.C53/60 E H=12



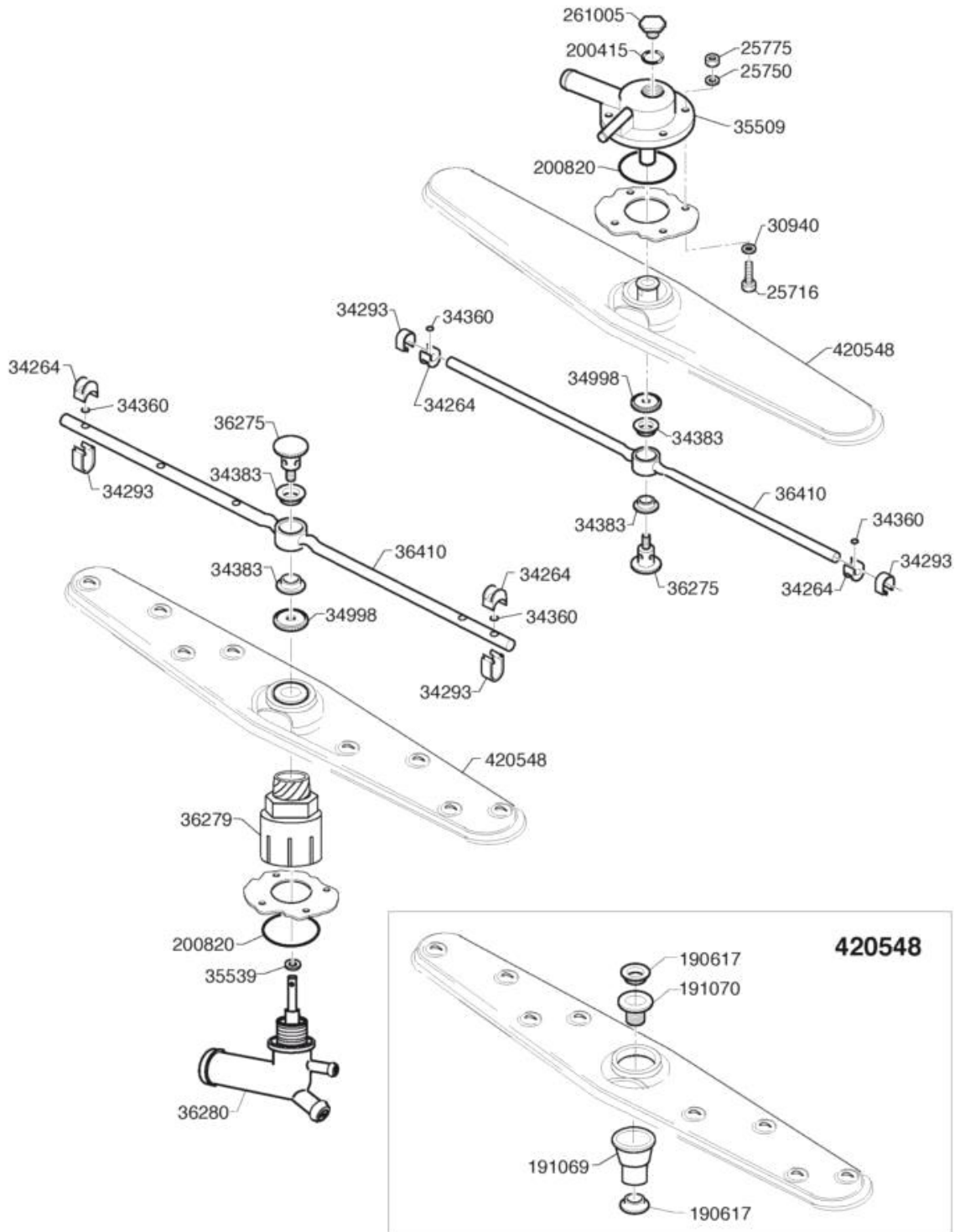
Ed. 06/2008  
Rev. 06/2015  
Data

## Wash Pump ST53/60E+DE-DP45/50E+DE

Code	Description
25782	NUT 8 MA
260139	VITE TE 5X16 INOX A2 UNI 5739
260403	DADI STAMP. D5 INOX UNI 5588
260559	ROND.DENT.INOX A2D.12 DIN6798
260575	RONDELLA DENTEL.DIAM.5 D.E.
26181	COVER WASH PUMP HP 0,5-0,75
26194	SHAFT SEAL WASH P.HP0,25-0,5-0,75
26206	IMPELLER WASH P.HP0,75 OPENED
26224	GASKET, PUMP HOUSING
26294	FLANGE WASH P.HP 0,5-0.75
31682	CENTRIF WASH PUMP, 0,75 HP
33181	SHAFT SEAL C3 (LGB)FOR PUMP CODE 32
33843	IMPELLER DIAM.94, 6-BLADE, M8 LEFT
33849	PUMP HOUS.ZF340 LEFT A45/M40 HOSE F
33853	GASKET OR.SHAPED LARGE
34170	WASH PUMP HP. 1 STS/C60 C80
34524	IMPELLER LGB 0591 M8 LEFT ZF 340
34525	FLANGE, LGB ZF 340
34535	ADAPT.PLATE TO FIX PUMP LGB
37318	GIRANTE CHIUUSA 6 PALE R.ORARIA
630530	TENUTA C3 (LGB)X POM.TIP.ZF140
631202	CONDENSATORE 16 MF 450V
631207	CONDENSATORI 12,5MF.450V 85 C



# Wash/Rinse Arm ST53/60E+DE-DP45/50E+DE

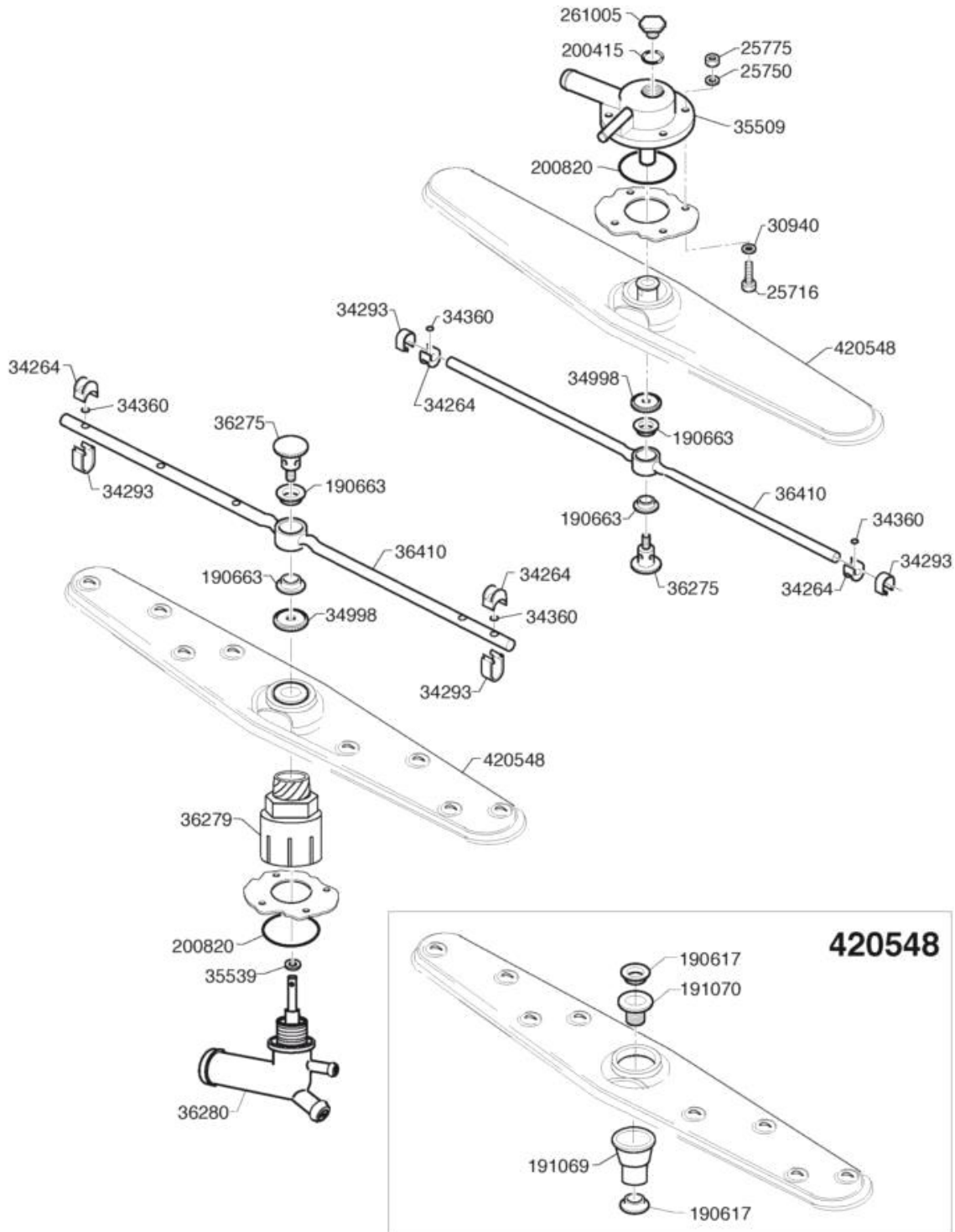


Ed.	06/2008
Rev.	
Data	

## Wash/Rinse Arm ST53/60E+DE-DP45/50E+DE

Code	Description
190617	BUSSOLA ALGOFL. MULINEL. F 2
191069	MOZZO MULINELLO LAV.FC
191070	DADO FISS. MOZZO MUL.LAV.FC
200415	GUARNIZ.DUTRAL 18,5X10X3-F 2
200820	GUARN.OR 5,33X46,99X57,6
25716	SCREW HEX.HD M 6 X 20 SS
25750	SPACER, SPLITTED, DIAM. 6
25775	NUT 6 MA
261005	TAPPO VITE CHIUS.PIPA SUP.MUL.
30940	FLAT SPACER, BLACK, DIA. 6
34264	RINSE JET WITH SPRING
34293	JET LOCK SPRING
34360	GASKET OR 7 X 1 NBR 70
34383	BUSH SPRING HUB, RINSE ROT.ARM
34998	SPAC.NUT, REVOLV RINSE ARM, DX
35509	LUG,D.39,9, UPPER REV.ARM STS 6
35539	SPACER RING H=12 X (35659)
36275	Rinse arm pin d. 12 - right rotatio
36279	Column D.39.9 f. lower arm
36280	Lower wash arm support 301 ht
36410	Shaped rinse arm C53/60 E
420548	MULINELLO LAV.INOX C/ST/LF

# Wash/Rinse Arm ST53/60E+DE-DP45/50E+DE

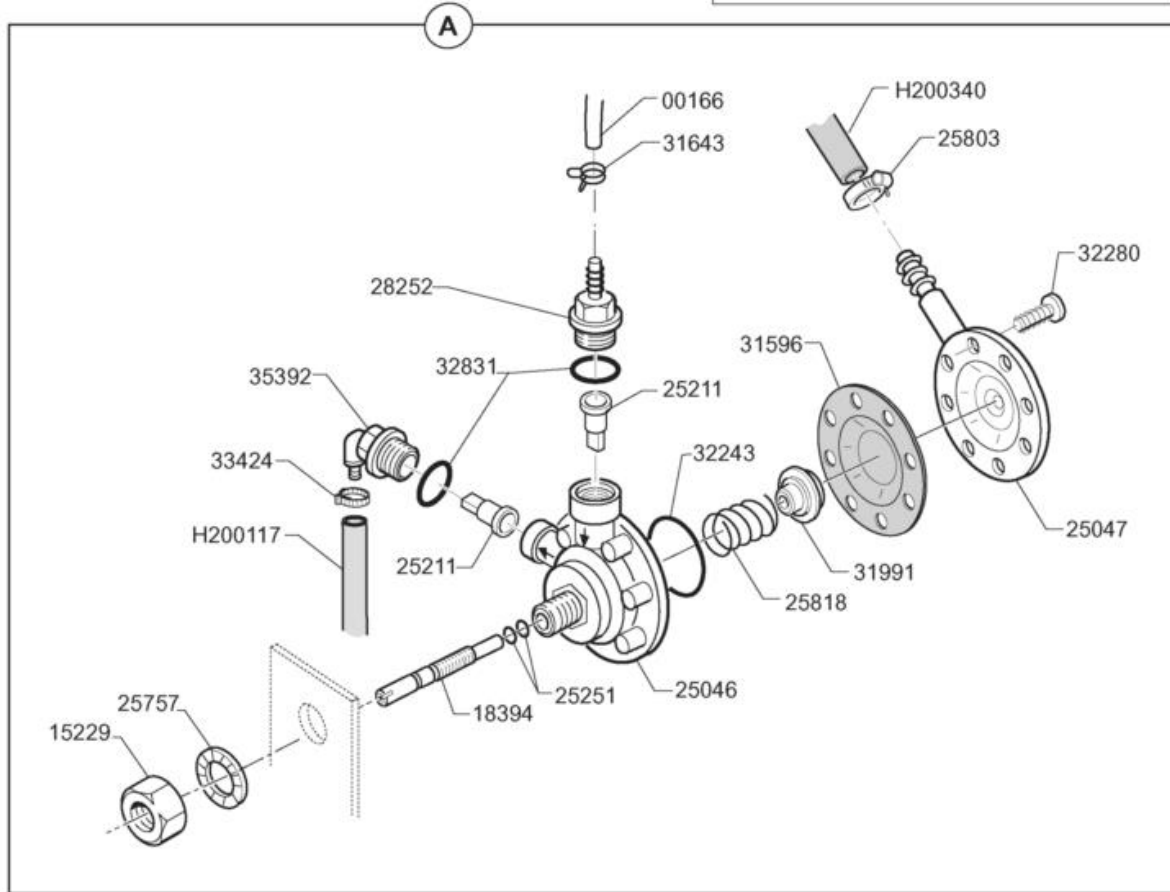
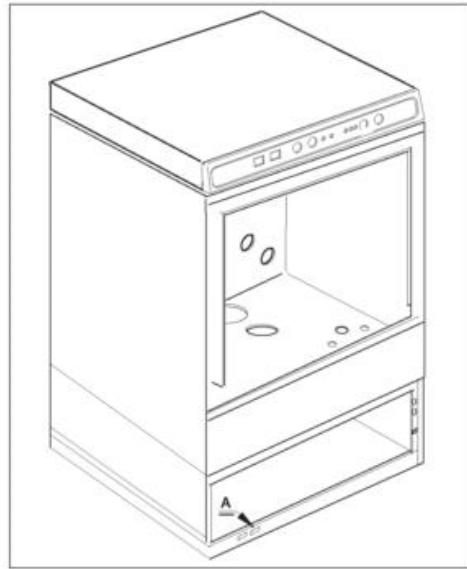
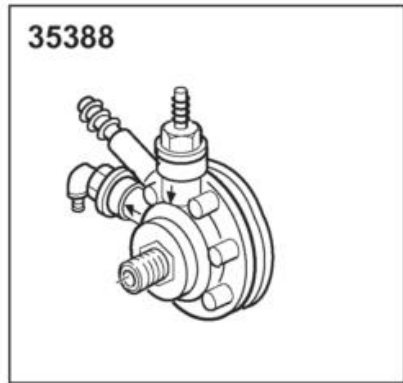


Ed.	11/2010
Rev.	
Data	

## Wash/Rinse Arm ST53/60E+DE-DP45/50E+DE

Code	Description
190617	BUSSOLA ALGOFL. MULINEL. F 2
190663	BUSSOLA MUL.RIS.APS HFM-121407
191069	MOZZO MULINELLO LAV.FC
191070	DADO FISS. MOZZO MUL.LAV.FC
200415	GUARNIZ.DUTRAL 18,5X10X3-F 2
200820	GUARN.OR 5,33X46,99X57,6
25716	SCREW HEX.HD M 6 X 20 SS
25750	SPACER, SPLITTED, DIAM. 6
25775	NUT 6 MA
261005	TAPPO VITE CHIUS.PIPA SUP.MUL.
30940	FLAT SPACER, BLACK, DIA. 6
34264	RINSE JET WITH SPRING
34293	JET LOCK SPRING
34360	GASKET OR 7 X 1 NBR 70
34998	SPAC.NUT, REVOLV RINSE ARM, DX
35509	LUG,D.39,9, UPPER REV.ARM STS 6
35539	SPACER RING H=12 X (35659)
36275	Rinse arm pin d. 12 - right rotatio
36279	Column D.39.9 f. lower arm
36280	Lower wash arm support 301 ht
36410	Shaped rinse arm C53/60 E
420548	MULINELLO LAV.INOX C/ST/LF

# Rinse Aid Injector ST53/60E+DE-DP45/50E+DE



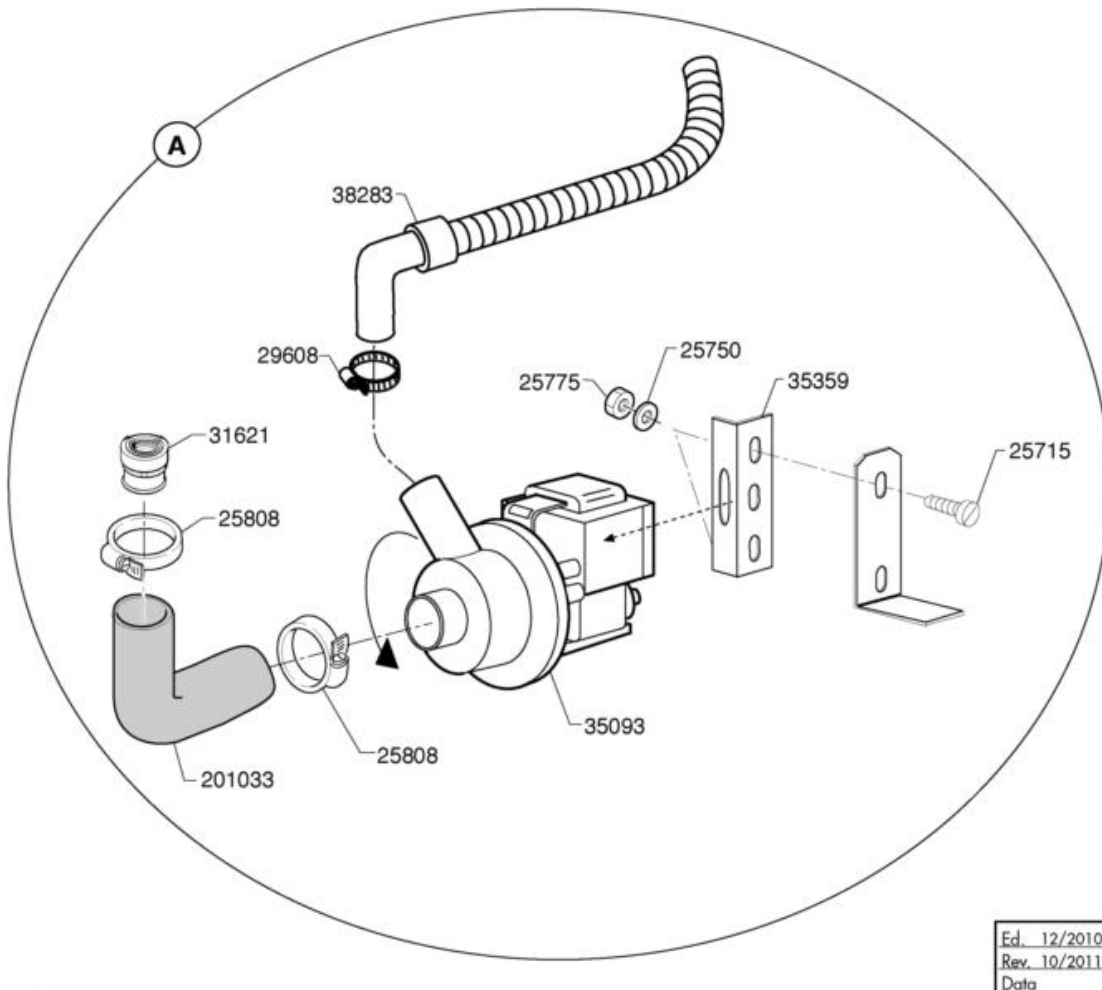
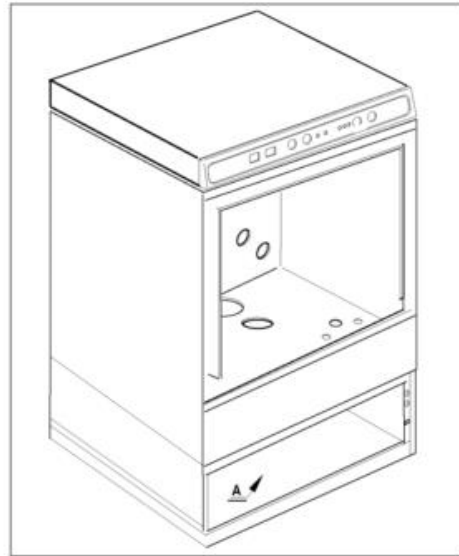
Ed.	06/2008
Rev.	
Data	



## Rinse Aid Injector ST53/60E+DE-DP45/50E+DE

Code	Description
00166	ROLL TUBE TRANSP. 4X7
15229	LOCK NUT AID DISPENSER
18394	SCREW CONTROL DISPENSER
200117	TUBO GOMMA 8x15 CALORFORM/10
200340	MANIC. B25-7-12-CON.SAL. +BRILL
25046	UPPER DISPENSER ASSEMBLY
25047	LOWER DISPENSER ASSEMBLY
25211	NON RETURN VALVE RINSE AID DISP.
25251	GASKET OR 2012
25757	TOOTHED SPACER DIAM. 12 D.E.D787
25803	HOSE CLIP 13-20 ABA
25818	CYLINDER SPRING (WIRE)
28252	FITTING SUCTION DISPENSER
31596	DIAPHRAGM, DISPENSER
31643	HOSE CLIP 7,3-7,8
31991	SPRING GUIDE FOR DISPENSER
32243	GASKET OR 3156
32280	OVAL HD. CROSS-SL. SCREW 4 X 13
32831	GASKET OR 2062
33424	FE-ZN CLAMP 11-17 H=9
35388	RINSE AID DISP."YELLOW" C/STS
35392	90° VALVE FITTING, RINSE AID H/C

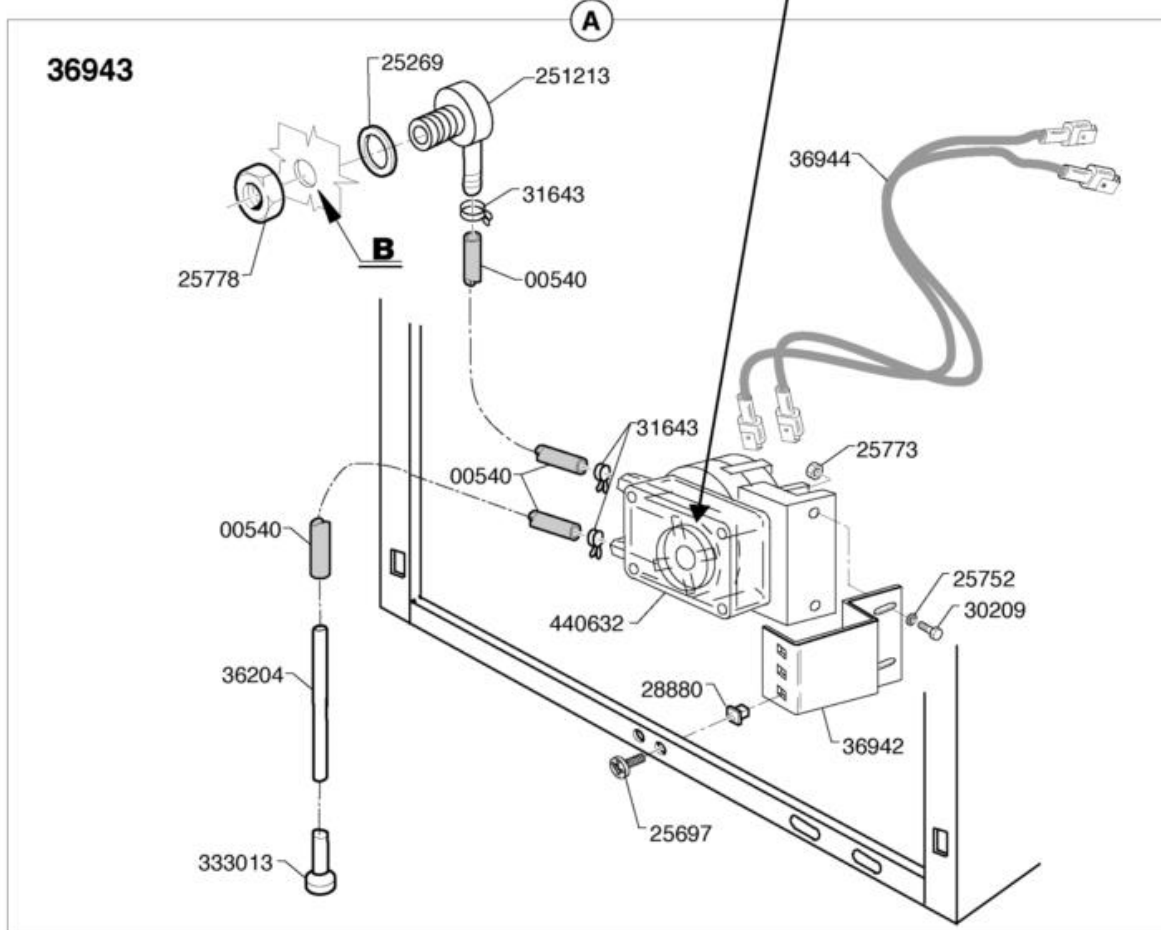
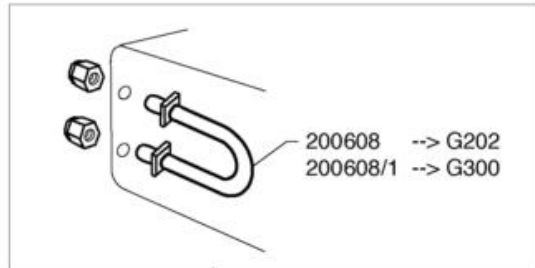
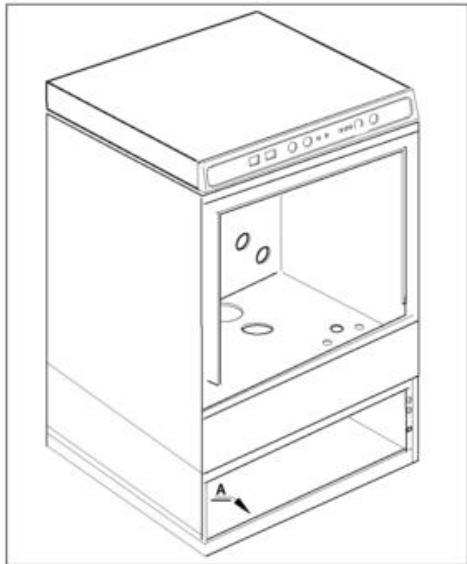
# Drain Pump ST53/60E+DE-DP45/50E+DE



## Drain Pump ST53/60E+DE-DP45/50E+DE

Code	Description
201033	MANICOTTO 90? ASP.POMPA SCAR.
25715	SCREW HEX.HD M 6 X 16 SS
25750	SPACER, SPLITTED, DIAM. 6
25775	NUT 6 MA
25808	HOSE CLIP 27-51CLAM
29608	HOSE CLIP 17-32CLAM
31621	FITTING, DRAIN PUMP
35093	DRAIN PUMP HANNING TYPE DPS 25
35359	HOLDER. HANNING DRAIN.P. C/STS60
38283	TUBO DI SCARICO DIAM.18,5X2000

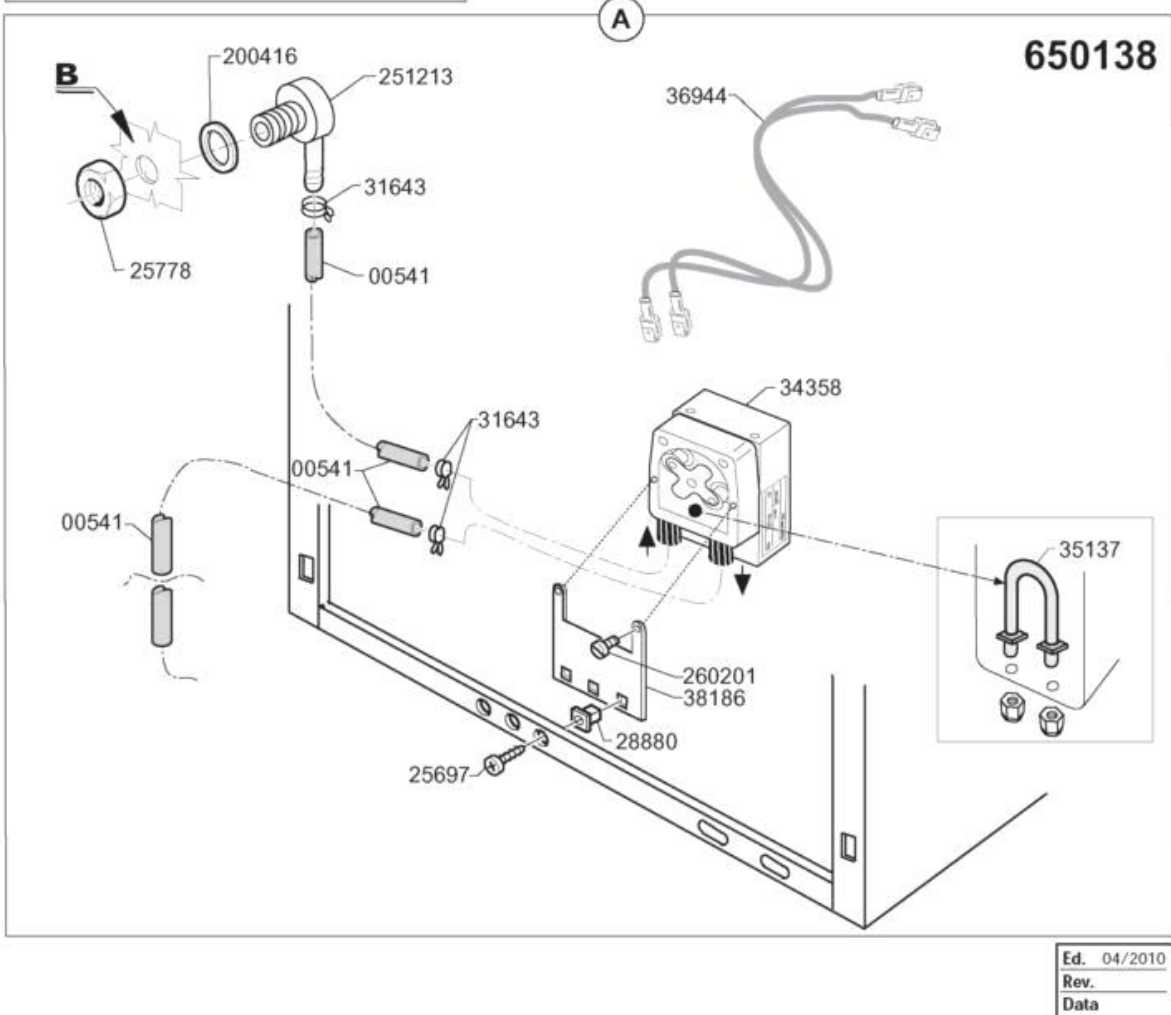
# Detergent Pump ST53/60E+DE-DP45/50E+DE



Ed.	06/2008
Rev.	2011
Data	

## Detergent Pump ST53/60E+DE-DP45/50E+DE

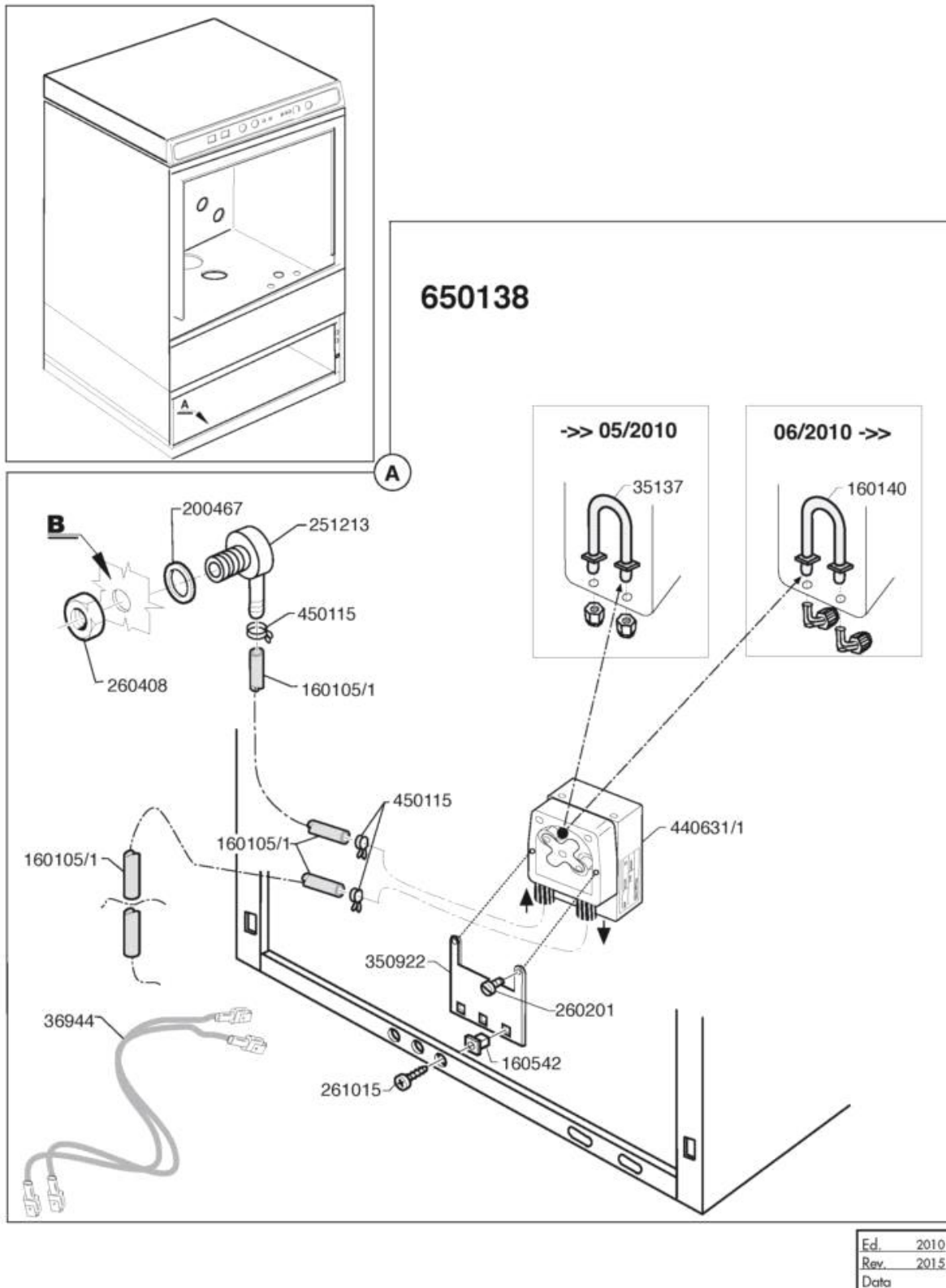
Code	Description
00540	RED TUBE 8X4 ROLL
200608	TUBETTO COMPL.DOS.GERMAC G202
200608/1	TUBETTO COMPL.DOS.GERMAC G300
251213	PORTAG.A GOMITO INOX POMPA DET
25269	FLAT GASKET
25697	SELF-TAPPING SCREW CHEESE D747H.ROS
25752	TOOTHED SPACER DIAM.4 D.E.
25773	NUTS 4 MA SS 18/8
25778	NUTS 12 M 18/8 ss
28880	NUT SCREW
30209	HEX.HD. SCREW 4 X 10
31643	HOSE CLIP 7,3-7,8
333013	FILTRINO DET-BRILL.PREM.H21679
36204	SINGLE COUNTERWEIGHT, DETERGENT HOS
36942	FIX.SQUARE for DETER DISPEN. x H440
36943	KIT: DETERG.PUMP, C E
36944	CONN. WIRES, DETERGENT PUMP C E
440632	DOSATORE DETER.ELETT.G300-230V



## Detergent Pump ST53/60E (SEKO) >> 04/10

Code	Description
00541	TUBETTO ROSSO 4x6 PVC
200416	GUARNIZ.NEOP.D.3/4" - TUBO CV
251213	PORTAG.A GOMITO INOX POMPA DET
25697	SELF-TAPPING SCREW CHEESE D747H.ROS
25778	NUTS 12 M 18/8 ss
260201	VITE TCP 3X10 INOX A2 UNI 6107
28880	NUT SCREW
31643	HOSE CLIP 7,3-7,8
34358	DETERGENT PUMP PERISTALSISTIC
35137	PUMP HOSE DET.SEKO PG3
36944	CONN. WIRES, DETERGENT PUMP C E
38186	PIASTRA FISSAGG. PD SEKO 34358
650138	KIT POMPA DETERSIVO SEKO PBR3





## Detergent Pump (SEKO) ->> 06/10

Code	Description
160105/1	TUBO FL.CRIST.D.6X4 DOS.ROSSO
160140	TUBETTO PD SEKO RACCORDO A 90?
160542	MADREVITE
200467	GUARN. DUTRAL TRAPPOLA PRESS.
251213	PORTAG.A GOMITO INOX POMPA DET
260201	VITE TCP 3X10 INOX A2 UNI 6107
260408	DADI STAMPATI D12 INOX UNI5588
261015	VITE AUTOF.T/TCROCE 4,2X13 ZIG
350922	PIASTRA FISS.PD SEKO 440631/1
35137	PUMP HOSE DET.SEKO PG3
36944	CONN. WIRES, DETERGENT PUMP C E
440631/1	DOS.DET.ELT.SEKO NBR-3 230V
450115	FASCETTA A DUE FILI D.8,3/7,8
650138	KIT POMPA DETERSIVO SEKO PBR3