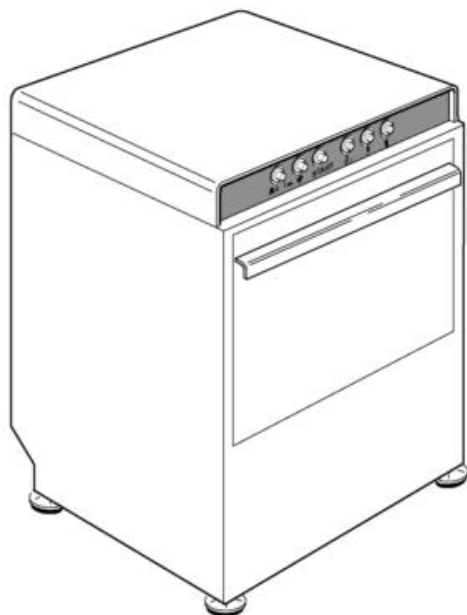


**CATALOGO RICAMBI
SPARE PARTS
PIECES DETACHEES
ERSATZTEILE
LISTA DE RECAMBIOS**

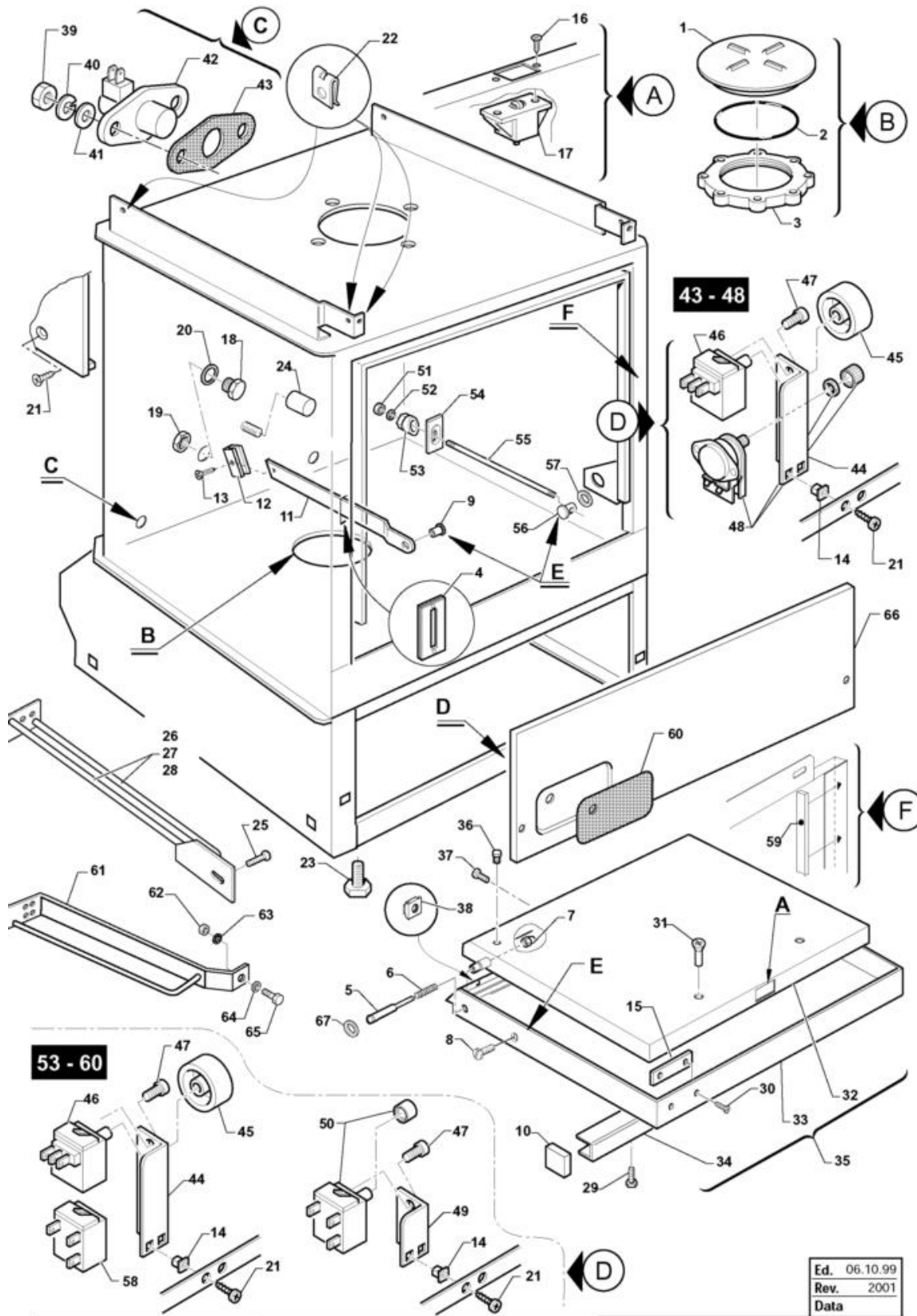


**Lavastoviglie
Lavevaisselle
Geschirrspüler
Dishwashers
Lavavajillas**

**STS/DP
STS D/DP D**

**Ed. 06.10.99
Rev. 2001**

- 1 Door Components STS 60
- 2 Door Components STS 60 10/04 >>
- 3 Electrical Components
- 4 Wash Arms
- 5 Wash Arms
- 6 Bottom Wash And Rinse Arms
- 7 Bottom Wash And Rinse Arms
- 8 Filter / Drain / Wash Pump
- 9 Filter / Drain / Wash Pump
- 10 Rinsaid Pump
- 11 Water-softner
- 12 Water-softner
- 13 Water-softner without by-pass

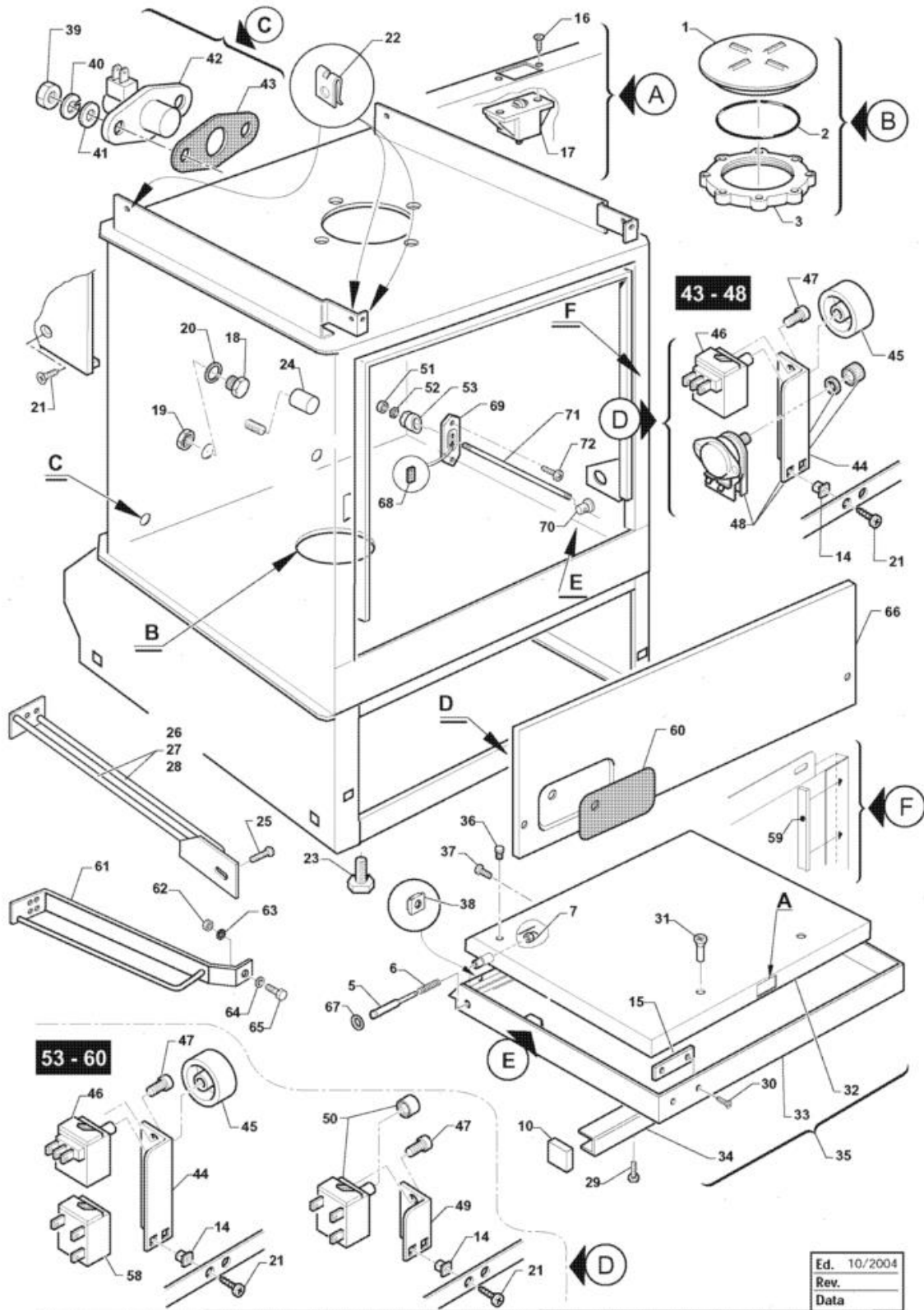


Door Components STS 60

Code	Description
25032	CATCH PLUG
25245	GASKET OR 3281
25008	LOCK. NUT FOR TANK PLUG
34472	SLIDE PLATE FOR DOOR STAY
15568	MOBILE DOWEL FOR DOOR
30438	SPRING FOR PIN AND DOOR
29594	NUT BLIND 4 MA
25990	FLAT HD SCREW 5X9 SPEC. FOR ARM TOG
18342	BUSH FOR DOOR HINGE
34015	PLUG END HANDLE, LEFT
34016	PLUG END HANDLE, RIGHT
18936	DOOR STAY SX STS 60
18937	DOOR STAY DX STS 60
18069	STOPPER DOOR STAY
28699	CHEESE-HD SCREW TC 4 X 10
28880	NUT SCREW
32969	MAGNET FOR CONTACT M350 AP
25693	SELF-TAPPING SCREW BEVEL H. 4,2X13
33336	ROLLER DOOR LATCH
26966	HOLE CLOSING PLUG
27155	PLASTIC NUT10 M
25266	FLAT GASKET 18 X 10 X 2
25697	SELF-TAPPING SCREW CHEESE D747H.ROS
25831	PLATE FOR SELFTHREAD. SCREW SIDES 7
25209	FEET, HEXAG. BASE
18145	RACK STOPPER MM.25
26751	SCREW 1/2 FLAT ROUND HD 6 X 12
33588	RACK GUIDE, RIGHT 53/60
33589	RACK GUIDE, LEFT 53/60
25708	SCREW HEX.HD M 5 X 10 SS
33277	SELF-TAPPING SCREW TSP 2,9 X 9,5
15995	BUSH SPRING FIX. HANDLE STS
34549	INNER DOOR PANEL C 43 ALTA
36765	PANNELLO CONTR. STS/APS60 (04)
34548	DOOR CASING, APS/STS/C60/98
36764	INVOLUCRO PORTA STS/APS60 (04)
18829	HANDLE FOR DOOR STS/APS/C 60
37090	PORTEL. STS/APS60(04) L570xH423
25293	PLUG RUBBER DIAM. 10
25700	SCREW CHEESE-H. 4 X 8 KNURLED
33179	ENCLOSED NUT 4MA
25773	NUTS 4 MA SS 18/8
25752	TOOTHED SPACER DIAM.4 D.E.
25743	SPACER, FLAT, DIAM. 4
33948	BIMET. THERMOSTAT, DOUBLE CONTACT

Door Components STS 60

Code	Description
200494	GUARNIZIONE X TERMOSTATO BIMET
17955	DOUBLE SQUARE FOR PRESS.GAUGES
25092	HANDLE, BLACK WHITE INDEX
25417	THERMOSTAT 30-90? MT. 2
25699	SCREW CHEESE-H. 4 X 6
33906	THERMOSTAT DOUB.POLE 105? RANCO LM8
17582	HOLDER THERMOSTAT 43/60
25421	THERMOSTAT FIXED 56? MT.1,5
25791	SELF-LOCKING NUT 5 MA LOWER SIDE
25744	SPACER, FLAT, DIAM.5
190619	FERMO TIRANTE PORTA B-F-R
331461	PIASTRINA PER TIRANTE X 34142
34144	ROD FOR DOOR 60-80
34143	PIN FOR ROD DOOR
160838	ANELLO PER PERNO PORTA
33745	LIMITER 110? MANUAL RESET
33408	NEOPREN ADHESIVE GASKET 8 X 4
32949	PLATE, DISPENSER CONTROL "N"
33246	NAMEPLATE, DISPENS.NEUTR.BLUE
25775	NUT 6 MA
35304	TOOTHED WASHER DIA.6
25745	SPACER, FLAT, DIAM.6
25715	SCREW HEX.HD M 6 X 16 SS
34755	FRONT PANEL APS/STS 60/98
160836	RONDELLA GRANO PORTA-BC/BR143



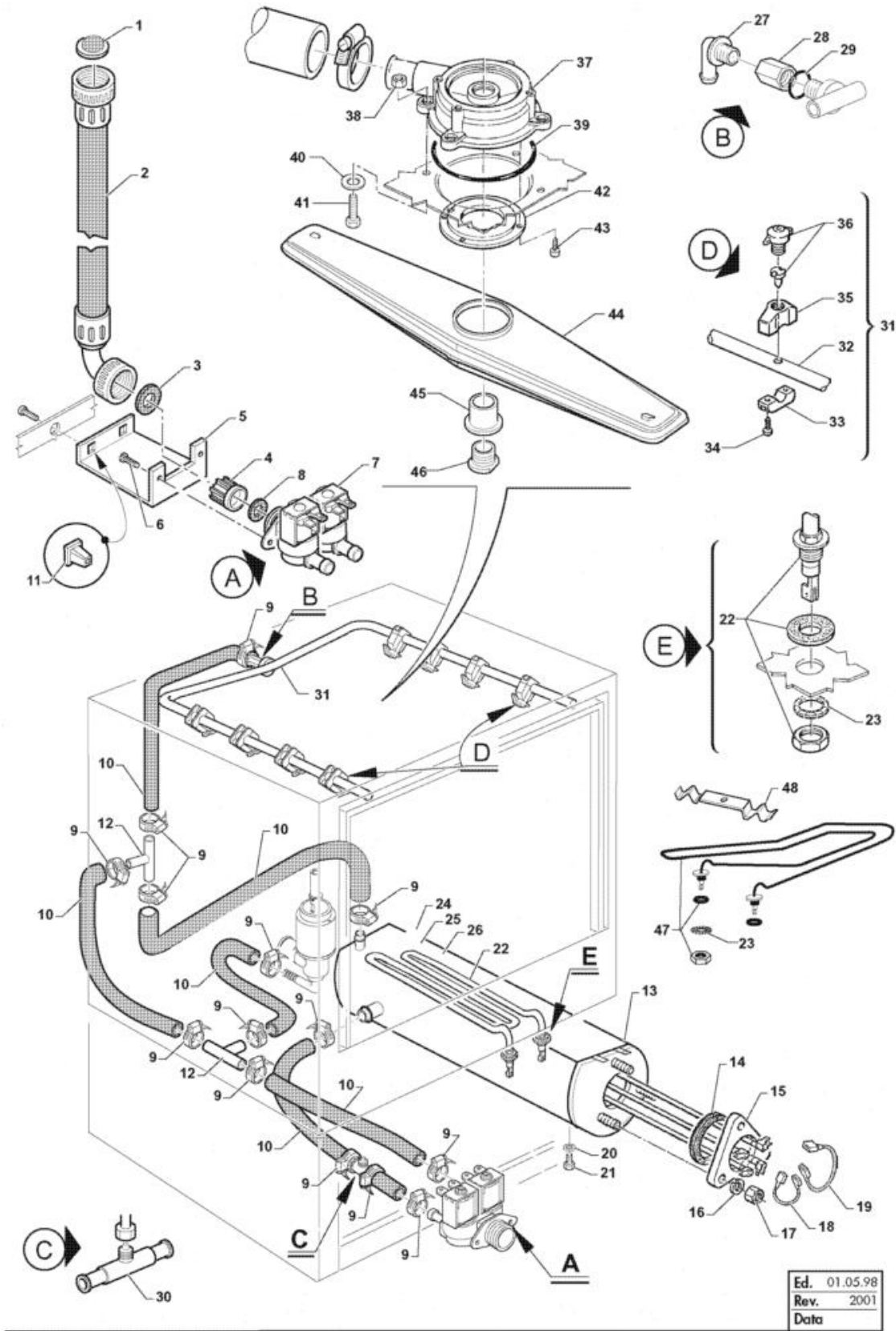
Code	Description
25032	CATCH PLUG
25245	GASKET OR 3281
25008	LOCK. NUT FOR TANK PLUG
15568	MOBILE DOWEL FOR DOOR
30438	SPRING FOR PIN AND DOOR
29594	NUT BLIND 4 MA
34015	PLUG END HANDLE, LEFT
34016	PLUG END HANDLE, RIGHT
28880	NUT SCREW
32969	MAGNET FOR CONTACT M350 AP
25693	SELF-TAPPING SCREW BEVEL H. 4,2X13
33336	ROLLER DOOR LATCH
26966	HOLE CLOSING PLUG
27155	PLASTIC NUT10 M
25266	FLAT GASKET 18 X 10 X 2
25697	SELF-TAPPING SCREW CHEESE D747H.ROS
25831	PLATE FOR SELFTHREAD. SCREW SIDES 7
25209	FEET, HEXAG. BASE
18145	RACK STOPPER MM.25
26751	SCREW 1/2 FLAT ROUND HD 6 X 12
33588	RACK GUIDE, RIGHT 53/60
33589	RACK GUIDE, LEFT 53/60
25708	SCREW HEX.HD M 5 X 10 SS
33277	SELF-TAPPING SCREW TSP 2,9 X 9,5
15995	BUSH SPRING FIX. HANDLE STS
34575	DOOR CASING, APS/STS C 53
36764	INVOLUCRO PORTA STS/APS60 (04)
18828	HANDLE FOR DOOR STS/APS/C 53
37090	PORTEL.STS/APS60(04) L570xH423
25293	PLUG RUBBER DIAM. 10
25700	SCREW CHEESE-H. 4 X 8 KNURLED
33179	ENCLOSED NUT 4MA
25773	NUTS 4 MA SS 18/8
25752	TOOTHED SPACER DIAM.4 D.E.
25743	SPACER, FLAT, DIAM. 4
33948	BIMET. THERMOSTAT, DOUBLE CONTACT
200494	GUARNIZIONE X TERMOSTATO BIMET
17955	DOUBLE SQUARE FOR PRESS.GAUGES
25092	HANDLE, BLACK WHITE INDEX
25417	THERMOSTAT 30-90? MT. 2
25699	SCREW CHEESE-H. 4 X 6
33906	THERMOSTAT DOUB.POLE 105? RANCO LM8
17582	HOLDER THERMOSTAT 43/60
25421	THERMOSTAT FIXED 56? MT.1,5
25791	SELF-LOCKING NUT 5 MA LOWER SIDE

Code	Description
25744	SPACER, FLAT, DIAM.5
190619	FERMO TIRANTE PORTA B-F-R
33745	LIMITER 110? MANUAL RESET
33408	NEOPREN ADHESIVE GASKET 8 X 4
32949	PLATE, DISPENSER CONTROL "N"
33246	NAMEPLATE, DISPENS.NEUTR.BLUE
36059	BASKET GUIDE APS/STS/C 60/02
25775	NUT 6 MA
35304	TOOTHED WASHER DIA.6
25745	SPACER, FLAT, DIAM.6
25715	SCREW HEX.HD M 6 X 16 SS
33567	TANK FRONT PANELSTS/APS 53
160836	RONDELLA GRANO PORTA-BC/BR143
160837	GUARNIZIONE X PIASTR. TIRANTE
160909	PIASTRINA x TIRANTE PORTA
36174	BUSHING, ROD END L=9,5
36712	TIRANTE x PORT.STS/APS43-48-53
28699	CHEESE-HD SCREW TC 4 X 10

Electrical Components

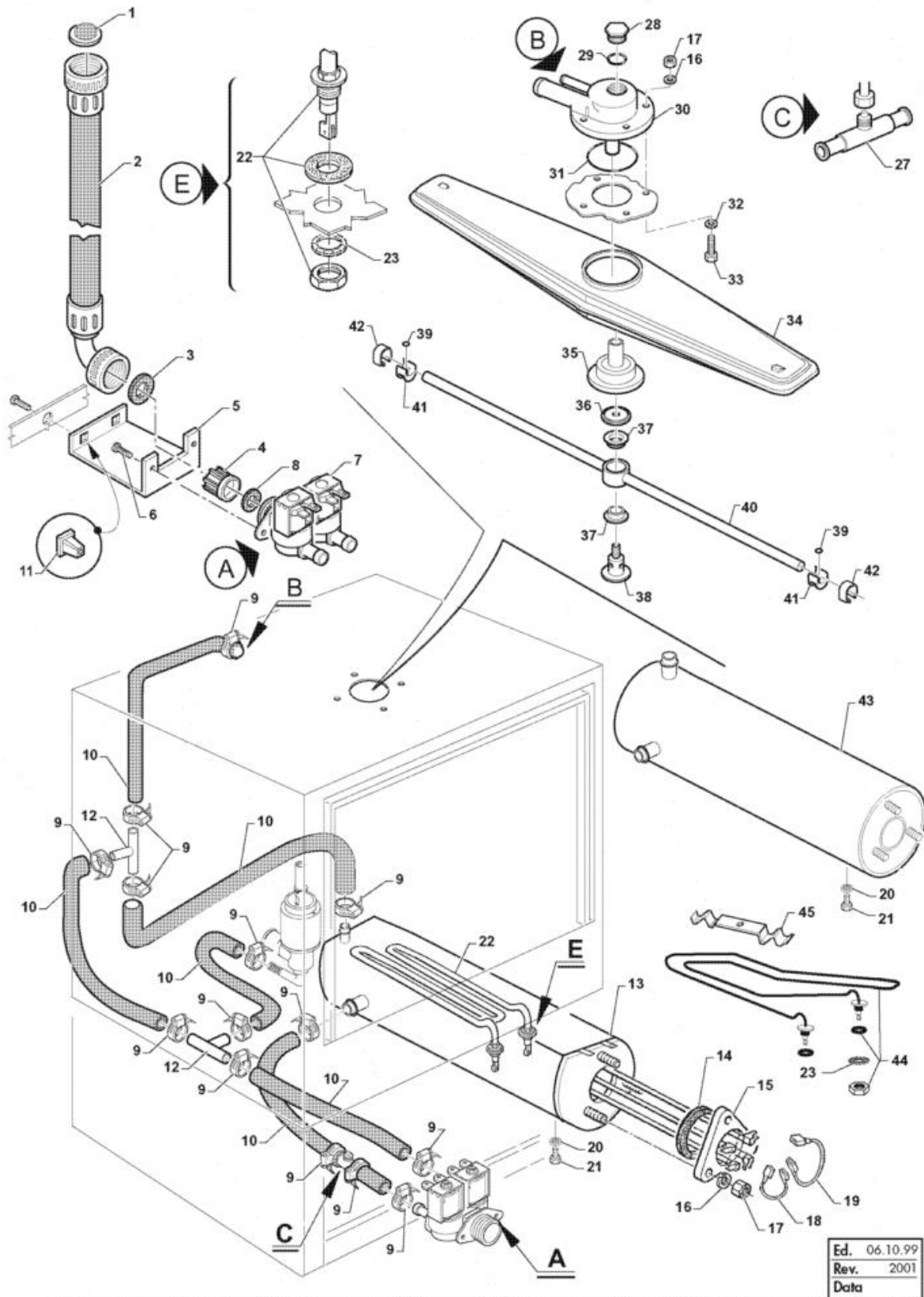
Code	Description
33572	CONTROL PANEL W/ PLATE SS 60
33581	CONTROL PANEL W/ PLATE SS 53
34825	CTRL PANEL W/PLATE 53/99
34826	CTRL PANEL W/PLATE 60/99
32872	SWITCH SA SINGLE POLE D
29529	UNIPOLAR PUSHBUTTON NA
33247	SUPPORT LAMP HOLDER, BRIGHT GREY
32890	BRIGHT GREY PUSH-BUTTON,
32892	NEON LIGHT BULB "GREEN" FL-T FM6,3
28870	PILOT LIGHT BULB -LUX FM6,3 230V.
34236	PILOT LIGHT, BLUE BULB 230V
32891	LIGHT BULB HOLDER
32868	CAP, ?16"GREEN"
32869	CAP, ?16"ORANGE"
34198	COVER, D16 "BLUE"
32805	HP ELECTR.COMPON. CASING
30347	TIMER P26/2-3CR-120"-220V
31324	NOISE FILTER, TYPE 5001
33188	MAGNETIC SENSOR
15969	MAGNET FIXING PLATE STS
31828	DENTED ROUND SPACER, EX ? 3
25777	NUTS 3 MA
33324	RELAY, JA 1CIM-220 VAC-DARE34312
34312	T.RELAY A2S FA 16A 230V
25831	PLATE FOR SELFTHREAD. SCREW SIDES 7
30600	TERMIN. BLOCK W/3-PH. CABLE CONNECT
25775	NUT 6 MA
25745	SPACER, FLAT, DIAM.6
25699	SCREW CHEESE-H. 4 X 6
17597	HOLDER FIX. TERMINAL BLOCK PA
31873	REMOTE SWITCH 220-240V- B6-30-10
34046	NYLON ROIPE, DRAWER LIMIT STOP
25744	SPACER, FLAT, DIAM.5
25774	NUTS 5 MA
25700	SCREW CHEESE-H. 4 X 8 KNURLED
25775	NUT 6 MA
33171	ADHESIVE PLATE, CTRL PANEL STS 53"H
33172	ADHESIVE PLATE, CTRL PANEL STS 60"H
33234	CONTROL PANEL PLATE, DP 45
33235	CONTROL PANEL PLATE, DP 50
25757	TOOTHED SPACER DIAM. 12 D.E.D787
25782	NUT 8 MA
28880	NUT SCREW
34402	TIMER P26/15 4CR 120"-230V.
31171	PRESSURE SWITCH, RATED 28/12+-3

Code	Description
34305	CABLE RACEWAY STEAB 6211/16/21



Code	Description
30541	FILTER ON FILLING HOSE 3/4"
25235	INLET HOSE 3/4" 60 ATE
25269	FLAT GASKET
26981	FILTER X SOLENOID V.T/N
17901	SOLENOID VALVE HOLDER
25700	SCREW CHEESE-H. 4 X 8 KNURLED
26631	SOLENOID V., DOUBLE 3/4"
34132	CONTROL QTY 8 LT.
34133	CONTROL QTY 14 LT.
25803	HOSE CLIP 13-20 ABA
00182	HOSE 11X19 CASER/15"BLUE"
28880	NUT SCREW
33276	T-SHAPED CONNECTOR ?11,5-PART180413
18217	BOILER CPL TS 53-60
18773	BOILER CPL STS 43/48
33582	BOILER CPL STS 53/60
34216	BOILER STS 43/48
34596	BOILER CPL C-ST5 53-60 /98
29938	GASKET OR 6150
25356	HEATING ELEM.BOILER 3000 W 230V
25357	HEATING ELEM. BOOST.4000W 230V
30008	HEATER FOR.BOOST.2800W HOLD.DAL
25750	SPACER, SPLITTED, DIAM. 6
25775	NUT 6 MA
25575	JUMPER L=100, 2,5 mm2 BLUE
25576	JUMPER L=170, 2,5 mm2, RED
25274	FLAT GASKET 12 X 6 X 2
26863	HEX HD SCREW 6 X 8 STAINLESS S.
30443	HEATING EL., TANK 2000 W-230 V
25757	TOOTHED SPACER DIAM. 12 D.E.D787
25775	NUT 6 MA
25745	SPACER, FLAT, DIAM.6
17530	WIRE X HEATING ELEM. TANK
25036	HOSE FITTING
17933	DISTANCE. THREADED INT. 14X1
25239	GASKET OR PB 701 3112 x AIR TRAP
33817	T-CONNECTOR FOR DISPENS. HOONV.
18798	RINSE ARM FIXED STS 48
33776	RINSE ARM FIXED 53
33821	FIXED RINSE ARM 60
31313	HOSE CLIP FOR RINSE NIPPLES
25714	SELF-TAPPING SCREW TC 2,9X9,5 SS
31314	NIPPLES RINSE JETS
22155	RINSE JET O 1,5 PREASS.
31470	BOX, UPP. WASH. FOR T.D. 53

Code	Description
25775	NUT 6 MA
31057	GASKET OR
25090	FLAT SPACER 5X13X1, NYLON
25715	SCREW HEX.HD M 6 X 16 SS
30664	COVER, LOWER TURBO WASH BOX
29535	SELF-TAPPING CHEESE HD. SCREW 2,9 X
17974	WASHARM 43
17975	WASHARM LOWER 48 SUP53
17976	WASHARM LOWER 53-60 (33586)
33586	WASHARM UPP./LOW. 60
17972	CENTR.BUSH SPRING, UPP.WASHARM.
32398	NUT FOR WASH BOX PIN,CLOSED
35230	HEAT.ELEM. TANK 2000W-230V S-SHAPE
36087	SUPPORT X HEATING ELEM. TANK

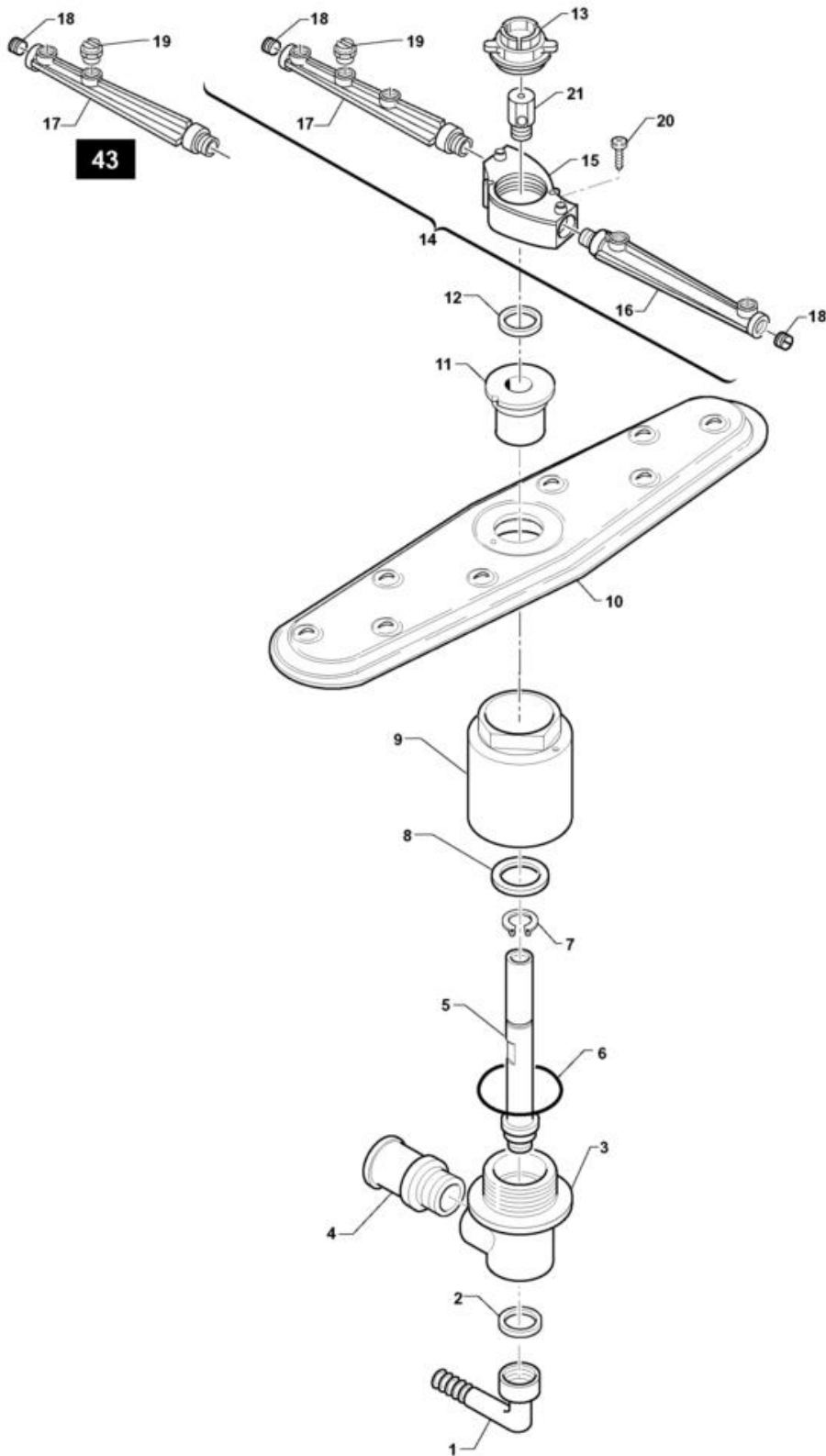


Ed.	06.10.99
Rev.	2001
Data	

Code	Description
30541	FILTER ON FILLING HOSE 3/4"
25235	INLET HOSE 3/4" 60 ATE
25269	FLAT GASKET
26981	FILTER X SOLENOID V.T/N
17901	SOLENOID VALVE HOLDER
25700	SCREW CHEESE-H. 4 X 8 KNURLED
26631	SOLENOID V., DOUBLE 3/4"
34132	CONTROL QTY 8 LT.
34133	CONTROL QTY 14 LT.
25803	HOSE CLIP 13-20 ABA
00182	HOSE 11X19 CASER/15"BLUE"
28880	NUT SCREW
33276	T-SHAPED CONNECTOR ?11,5-PART180413
18217	BOILER CPL TS 53-60
18773	BOILER CPL STS 43/48
33582	BOILER CPL STS 53/60
34216	BOILER STS 43/48
34596	BOILER CPL C-ST5 53-60 /98
29938	GASKET OR 6150
25357	HEATING ELEM. BOOST.4000W 230V
30008	HEATER FOR.BOOST.2800W HOLD.DAL
25750	SPACER, SPLITTED, DIAM. 6
25775	NUT 6 MA
25575	JUMPER L=100, 2,5 mm2 BLUE
25576	JUMPER L=170, 2,5 mm2, RED
25274	FLAT GASKET 12 X 6 X 2
26863	HEX HD SCREW 6 X 8 STAINLESS S.
30443	HEATING EL., TANK 2000 W-230 V
25757	TOOTHED SPACER DIAM. 12 D.E.D787
33817	T-CONNECTOR FOR DISPENS. HOONV.
160769	TAPPO 1/2" X SUPPORTO MULIN.
34332	GASKET OR 128 SUPP.PLUG
34314	HOLDER WASHARM UPP. C-ST5
200820	GUARN.OR 5,33X46,99X57,6
30940	FLAT SPACER, BLACK, DIA. 6
25715	SCREW HEX.HD M 6 X 16 SS
17975	WASHARM LOWER 48 SUP53
33586	WASHARM UPP./LOW. 60
34262	CENTRAL BUSH SPRING H.28 UPPER ROT
34382	DISTANCE WASHER RINSE LEFT TURNING
34383	BUSH SPRING HUB, RINSE ROT.ARM
34384	PIN, RINSE ROT.ARM
34360	GASKET OR 7 X 1 NBR 70
34386	RINSE ARM 48 ROT. S/FRONT.
34387	RINSE ARM 53-60 R. S/ FRONT.

Code	Description
34264	RINSE JET WITH SPRING
34293	JET LOCK SPRING
34647	BOILER CPL STS 43-48 /98
35230	HEAT.ELEM. TANK 2000W-230V S-SHAPE
36087	SUPPORT X HEATING ELEM. TANK

Bottom Wash And Rinse Arms

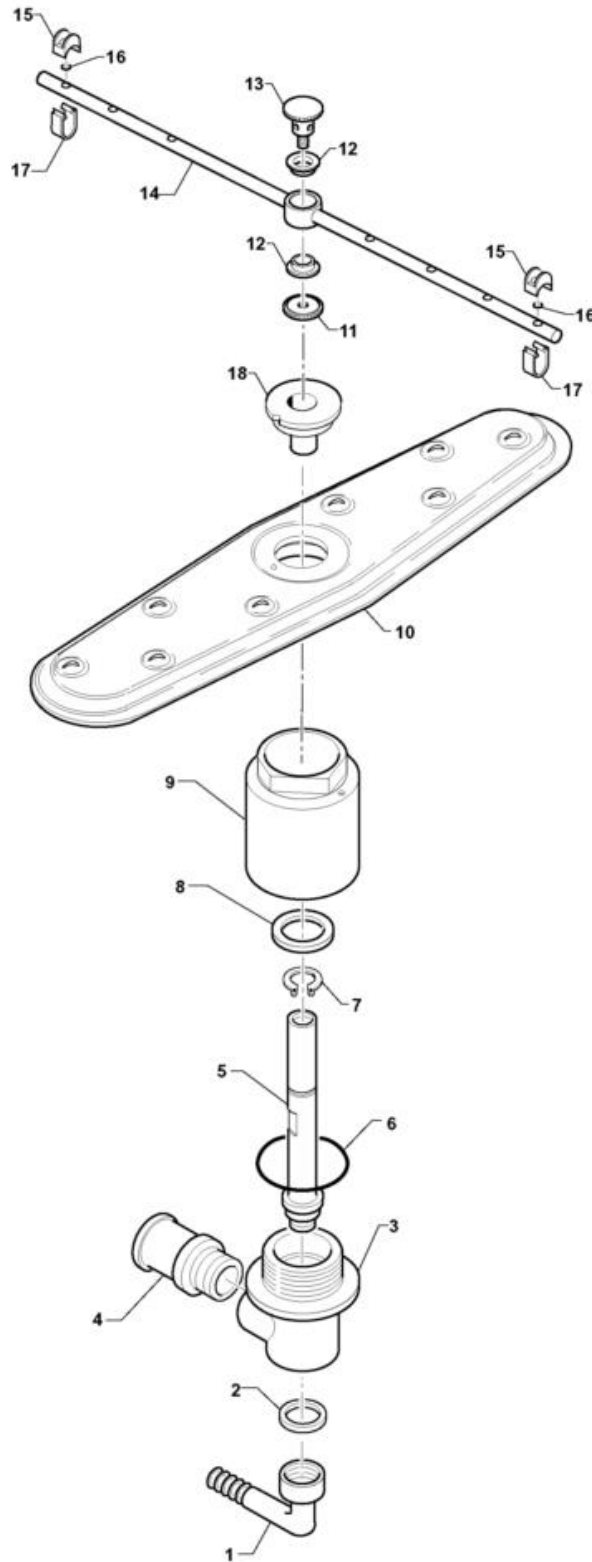


Ed.	01.05.98
Rev.	2001
Data	

Bottom Wash And Rinse Arms

Code	Description
32352	HOSE FITTING, 90° ELBOW 1/4 F
33346	DISC FOR CENTRAL SUPPORT
32350	WASH-RINSE SUPPORT BOTTOM HP
33544	HOSE FITTING 1/2 "
17913	RINSE SHAFT LOWER AP 43-48
18825	LOWER RINSE SHAFT STS 53/60
32310	GASKET OR 3200
32923	SHAFT SNAP RING ? 14
18345	SPACER RING
25122	DISTANCE RING, WASH, RINSE
32887	BUSH, REV.CENTR. LOWER WASH STS43/4
32888	BUSH CENTR.REDUCT SPRING. 53/60
17974	WASHARM 43
17975	WASHARM LOWER 48 SUP53
17976	WASHARM LOWER 53-60 (33586)
33586	WASHARM UPP./LOW. 60
18703	BUSH SPRING CENT. WASHARM LOW.STS
25122	DISTANCE RING, WASH, RINSE
33858	SPACER WASHER, WASH RINSE
32359	THREAD.PLUG, RINSE ARM STS/APS
21863	RINSE ARM LOWER PREASS. 43
21864	RINSE ARM LOWER PREASS.AP 48
21865	RINSE ARM LOWER PREASS. 53/60
32360	HP WASH-RINSE ARM BLOCK
32176	RINSE ARM3/I-4/S
32179	RINSE ARM4/I-5/S
32405	RINSE ARM 5/I-6/S AP53
32177	RINSE ARM3/I-4/S
32178	RINSE ARM4/I-5/S
32406	RINSE ARM5/I-6/S AP53
30516	THREADED PLUG 9 X 1
29695	RINSE NOZZLE "BLACK"
25684	SELF-TAPPING SCREW CHEESE-H. 2,9X9
17917	DRIVE PIN AP 43/60

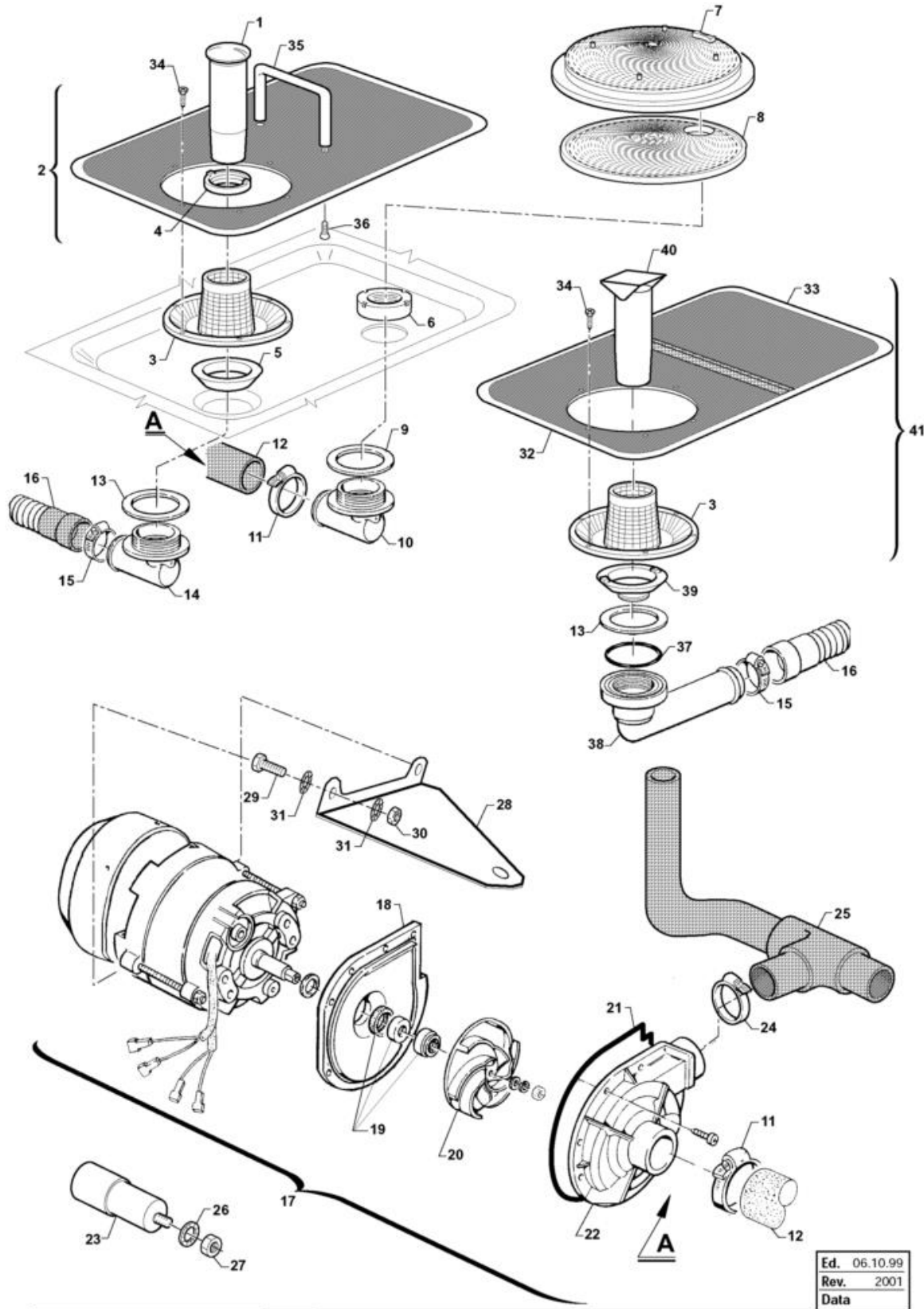
Bottom Wash And Rinse Arms



Ed.	06.10.99
Rev.	2001
Data	

Bottom Wash And Rinse Arms

Code	Description
32352	HOSE FITTING, 90° ELBOW 1/4 F
33346	DISC FOR CENTRAL SUPPORT
32350	WASH-RINSE SUPPORT BOTTOM HP
33544	HOSE FITTING 1/2 "
34396	LOW. RINSE SHAFT STS 43-48
34397	LOW. RINSE SHAFT STS-C 53-60
32310	GASKET OR 3200
32923	SHAFT SNAP RING ? 14
18345	SPACER RING
32887	BUSH, REV.CENTR. LOWER WASH STS43/4
17974	WASHARM 43
17975	WASHARM LOWER 48 SUP53
33586	WASHARM UPP./LOW. 60
34382	DISTANCE WASHER RINSE LEFT TURNING
34383	BUSH SPRING HUB, RINSE ROT.ARM
34384	PIN, RINSE ROT.ARM
34385	RINSE ARM 43 ROT. S/FRONT.
34386	RINSE ARM 48 ROT. S/FRONT.
34387	RINSE ARM 53-60 R. S/ FRONT.
34264	RINSE JET WITH SPRING
34360	GASKET OR 7 X 1 NBR 70
34293	JET LOCK SPRING
18703	BUSH SPRING CENT. WASHARM LOW.STS

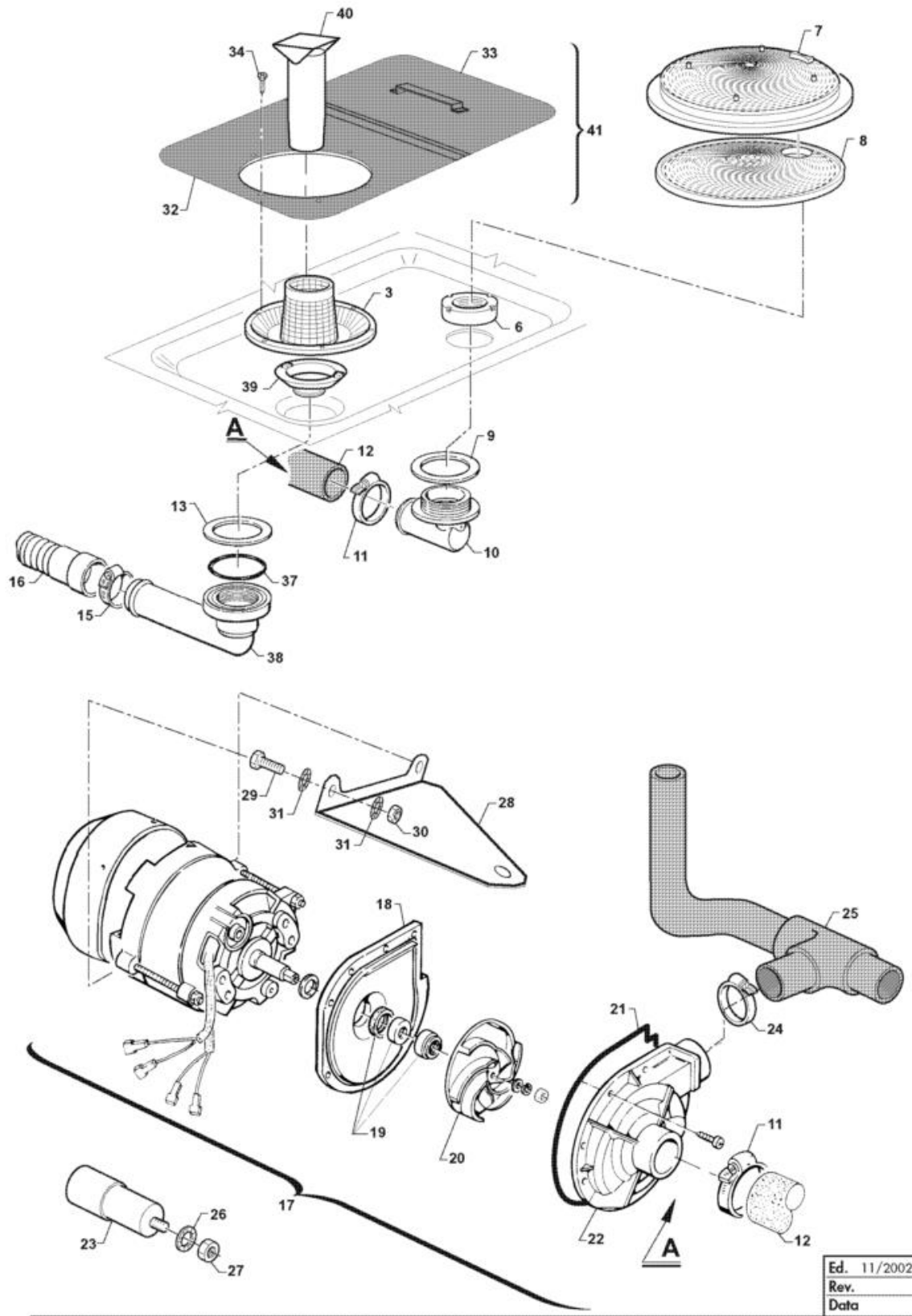


Ed.	06.10.99
Rev.	2001
Data	

Code	Description
18903	OVERFLOW HOSE CPL STS-C 60
22012/R	FILTER TANK PREASS. APS 60
32719	COLLECTOR FILTER
25009	NUT FOR OVERFLOW BUSH
32717	NUT CONNECTION, DRAIN
25006	NUT FO DRAIN SUCT. P.
32796	COVER, ROUND FILTER
32795	BOTTOM, ROUND FILTER
31423	FLAT GASKET 65X51X3
32715	90°SUCTION ELBOW FOR PUMP
25809	HOSE CLIP 40-64CLAM
32894	SUCTION SLEEVE.STS 60
26637	FLAT GASKET 55 X 42 X 2
32716	90°DRAIN ELBOW
25807	HOSE CLIP 26-38 ABA
27078	DRAIN HOSE, DIA.24X1500
31682	CENTRIF WASH PUMP, 0,75 HP
34170	WASH PUMP HP. 1 STS/C60 C80
34244	ELECT.WASHPUMP ZF HP 1 115 VHZ60
26294	FLANGE WASH P.HP 0,5-0.75
34359	FLANGE, ELECTROPUMP 0,75 HP
26194	SHAFT SEAL WASH P.HP0,25-0,5-0,75
33181	SHAFT SEAL C3 (LGB)FOR PUMP CODE 32
26206	IMPELLER WASH P.HP0,75 OPENED
33843	IMPELLER DIAM.94, 6-BLADE, M8 LEFT
34524	IMPELLER LGB 0591 M8 LEFT ZF 340
34703	IMPELLER WASH P. 1 HP - 60 HZ
26224	GASKET, PUMP HOUSING
33853	GASKET OR.SHAPED LARGE
26181	COVER WASH PUMP HP 0,5-0,75
33849	PUMP HOUS.ZF340 LEFT A45/M40 HOSE F
25555	CAPACITOR UF 12,5-450 V
34173	CAPACITOR UF 16
34828	CLAMP NR5 38-50, 9-MM WIDTH
33583	OUTLET SLEEVE WASH 53/60
25757	TOOTHED SPACER DIAM. 12 D.E.D787
25782	NUT 8 MA
34535	ADAPT.PLATE TO FIX PUMP LGB
25705	SCREW HEX.HD M 5 X 16 SS 18/8
25774	NUTS 5 MA
25753	TOOTHED SPACER.DIAM.5 D.E.
34610	FILTER TANK, LEFT
34611	FILTER TANK, RIGHT
25684	SELF-TAPPING SCREW CHEESE-H. 2,9X9
18908	HANDLE FILTER

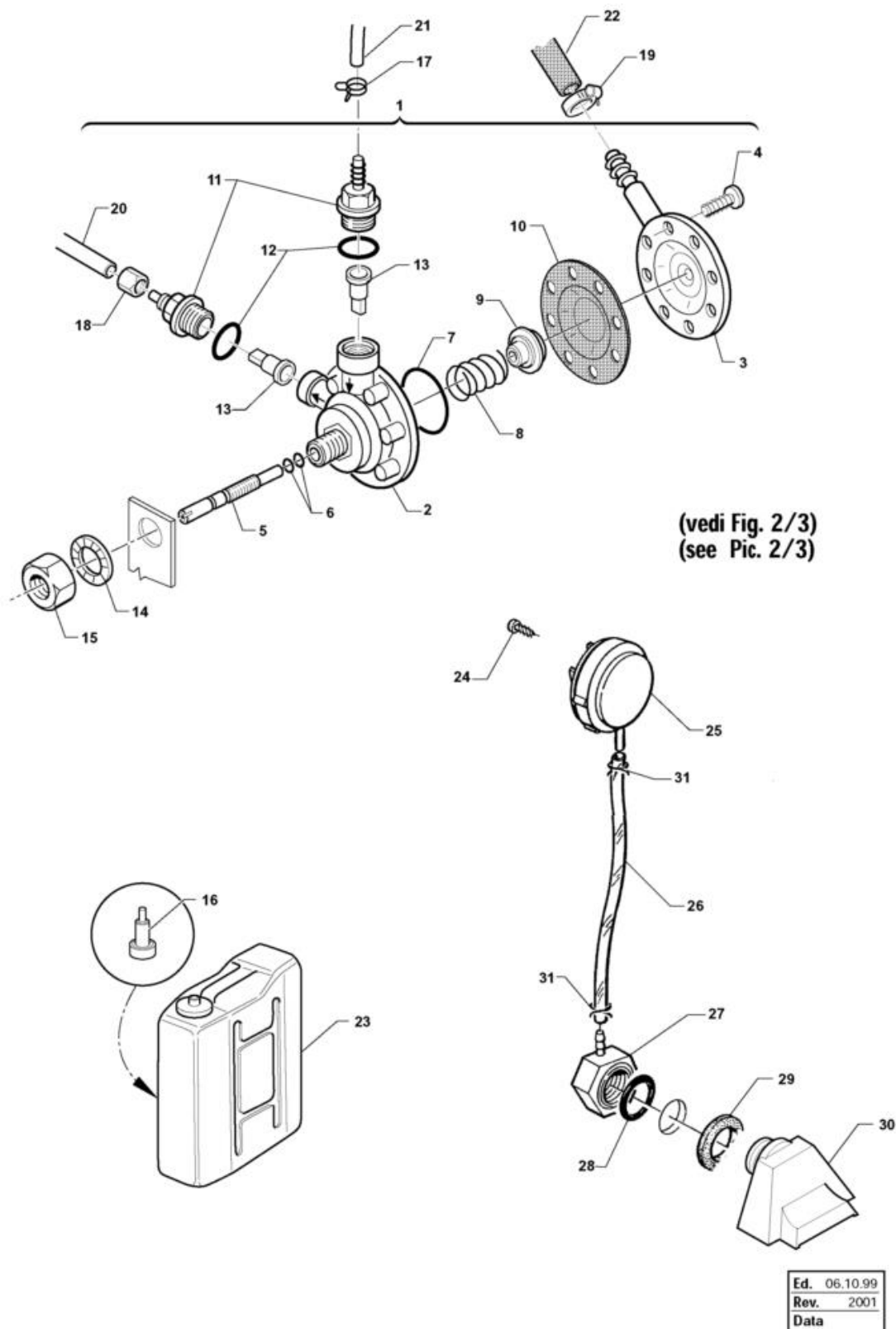
Filter / Drain / Wash Pump

Code	Description
25708	SCREW HEX.HD M 5 X 10 SS
28226	GASKET OR 3181 FOR DRAIN LUG
30421	DRAIN FITTING, LONG
34790	DRAIN ELBOW SERIES 60
34485	OVERFLOW TUBE STS 60 H=157
35071	TANK FILTER, SPARE 60

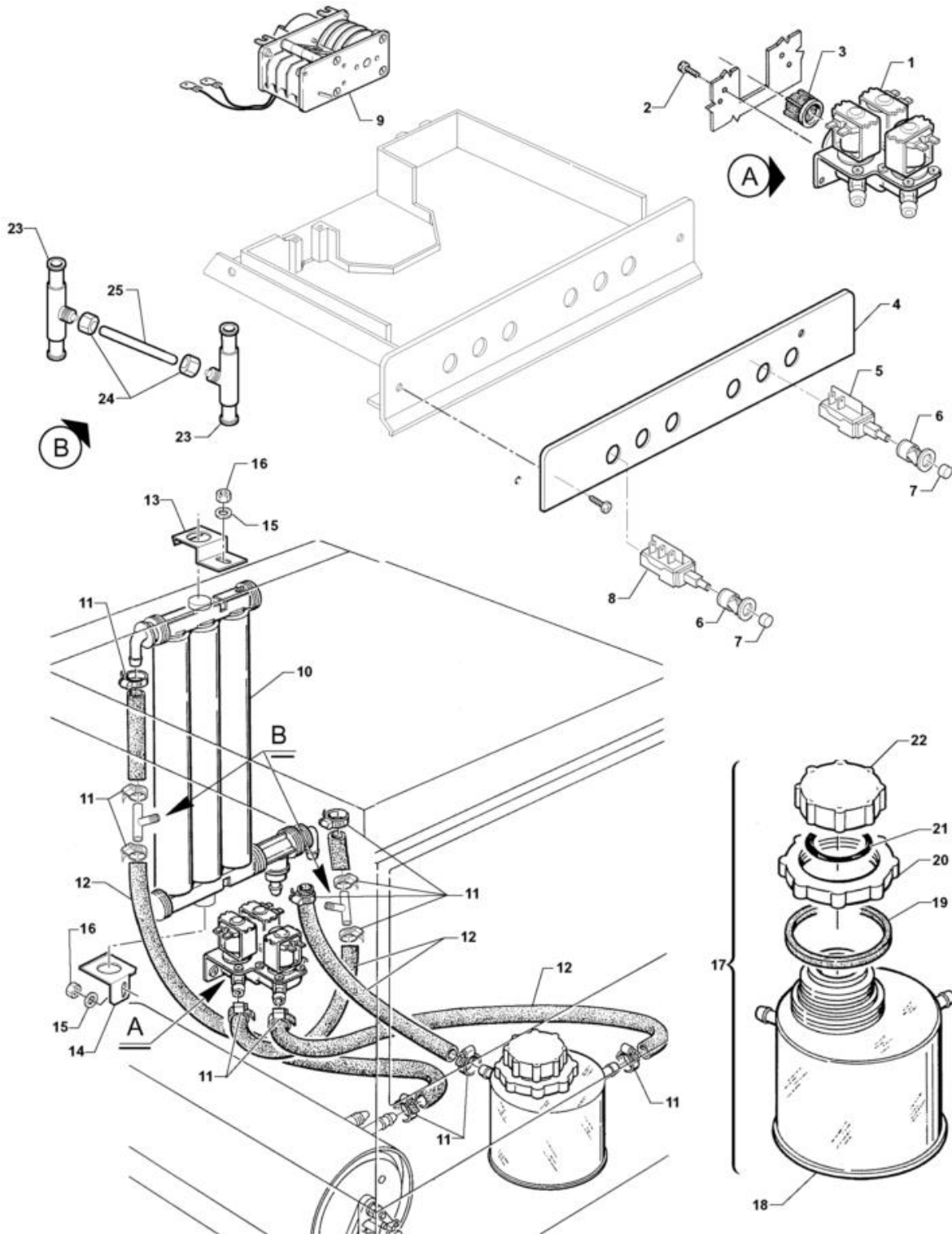


Filter / Drain / Wash Pump

Code	Description
32719	COLLECTOR FILTER
25006	NUT FO DRAIN SUCT. P.
32796	COVER, ROUND FILTER
32795	BOTTOM, ROUND FILTER
31423	FLAT GASKET 65X51X3
32715	90°SUCTION ELBOW FOR PUMP
25809	HOSE CLIP 40-64CLAM
32894	SUCTION SLEEVE.STS 60
26637	FLAT GASKET 55 X 42 X 2
25807	HOSE CLIP 26-38 ABA
27078	DRAIN HOSE, DIA.24X1500
31682	CENTRIF WASH PUMP, 0,75 HP
34170	WASH PUMP HP. 1 STS/C60 C80
34244	ELECT.WASHPUMP ZF HP 1 115 VHZ60
26294	FLANGE WASH P.HP 0,5-0.75
34359	FLANGE, ELECTROPUMP 0,75 HP
26194	SHAFT SEAL WASH P.HP0,25-0,5-0,75
33181	SHAFT SEAL C3 (LGB)FOR PUMP CODE 32
26206	IMPELLER WASH P.HP0,75 OPENED
33843	IMPELLER DIAM.94, 6-BLADE, M8 LEFT
34524	IMPELLER LGB 0591 M8 LEFT ZF 340
34703	IMPELLER WASH P. 1 HP - 60 HZ
26224	GASKET, PUMP HOUSING
33853	GASKET OR.SHAPED LARGE
26181	COVER WASH PUMP HP 0,5-0,75
33849	PUMP HOUS.ZF340 LEFT A45/M40 HOSE F
25555	CAPACITOR UF 12,5-450 V
34173	CAPACITOR UF 16
34828	CLAMP NR5 38-50, 9-MM WIDTH
33583	OUTLET SLEEVE WASH 53/60
25757	TOOTHED SPACER DIAM. 12 D.E.D787
25782	NUT 8 MA
34535	ADAPT.PLATE TO FIX PUMP LGB
25705	SCREW HEX.HD M 5 X 16 SS 18/8
25774	NUTS 5 MA
25753	TOOTHED SPACER.DIAM.5 D.E.
35896	TANK STRAINER LEFT S/S SERIES 60
35895	TANK STRAINER, RIGHT S/S SERIES 60
25684	SELF-TAPPING SCREW CHEESE-H. 2,9X9
28226	GASKET OR 3181 FOR DRAIN LUG
30421	DRAIN FITTING, LONG
34790	DRAIN ELBOW SERIES 60
34485	OVERFLOW TUBE STS 60 H=157
35933	FILTER TANK CPL C 6

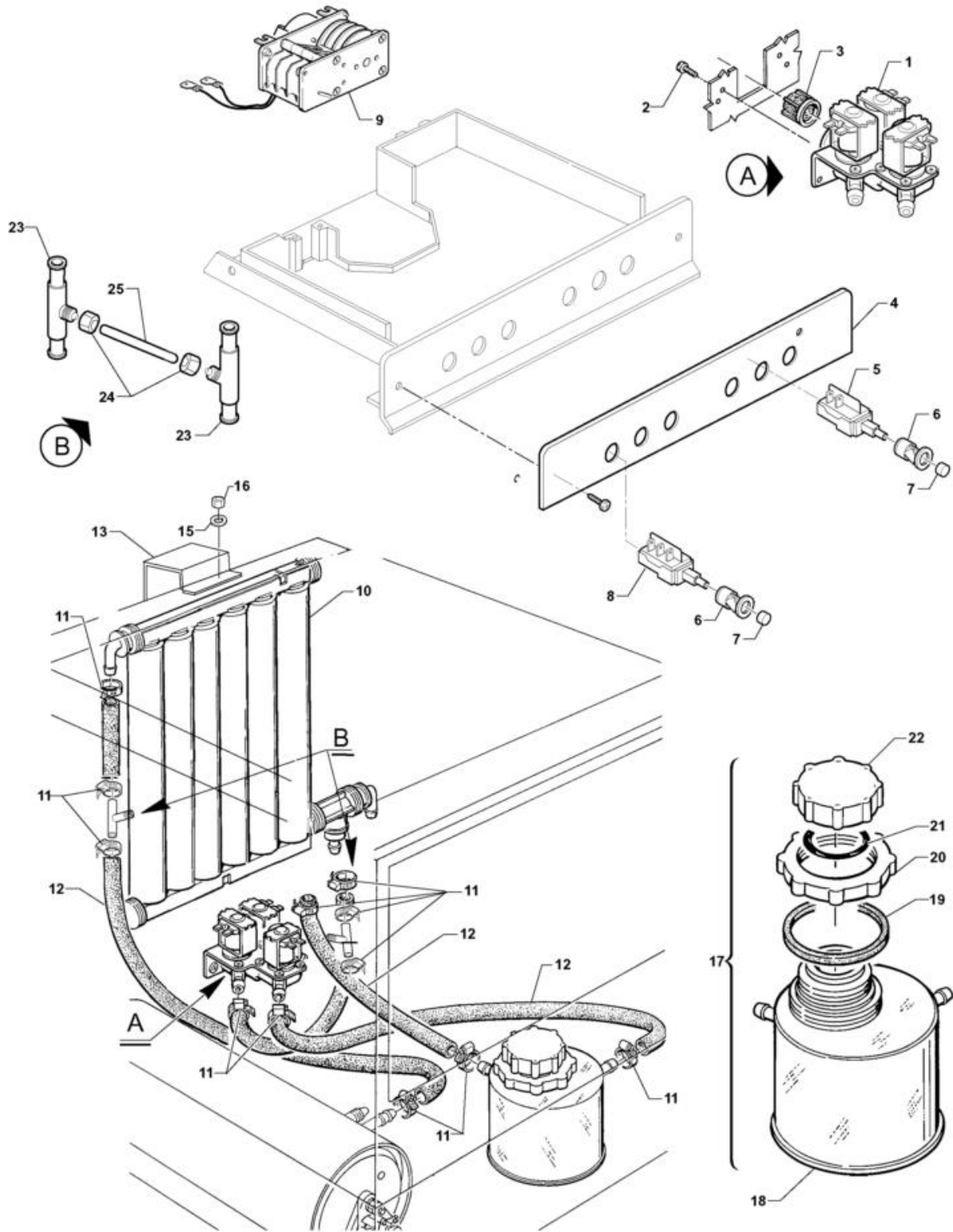


Code	Description
22060	RINSE AID DISP.PREASS."YELLOW"1?
25046	UPPER DISPENSER ASSEMBLY
25047	LOWER DISPENSER ASSEMBLY
25697	SELF-TAPPING SCREW CHEESE D747H.ROS
18394	SCREW CONTROL DISPENSER
25251	GASKET OR 2012
32243	GASKET OR 3156
25818	CYLINDER SPRING (WIRE)
31991	SPRING GUIDE FOR DISPENSER
31596	DIAPHRAGM, DISPENSER
32084	FITTING KIT, SUCT/DELIV.VLV RINSE A
32831	GASKET OR 2062
25211	NON RETURN VALVE RINSE AID DISP.
25757	TOOTHED SPACER DIAM. 12 D.E.D787
15229	LOCK NUT AID DISPENSER
21679	FILTER DET.-RINSE AID PREASS.
31643	HOSE CLIP 7,3-7,8
15228	RING FOR RINSING SOLUTION TUBE
25803	HOSE CLIP 13-20 ABA
00162	ROLL TUBE 6X4 RILSAN
00166	ROLL TUBE TRANSP. 4X7
00182	HOSE 11X19 CASER/15"BLUE"
31945	RINSE AID CONTAINER WITH PLUG
26640	SCREW, PRESSURE SWITCH *
31171	PRESSURE SWITCH, RATED 28/12+-3
160121	TUBO GOMMA NERA 5X9 PRESSOST.
25011	COVER X AIR TRAP
25239	GASKET OR PB 701 3112 x AIR TRAP
25263	FLAT GASKET 38 X 25 X 2 A.TRAP
25010	AIR TRAP
34733	WIRE PIPE CLAMP FOR 9,8-10,1 PIPE



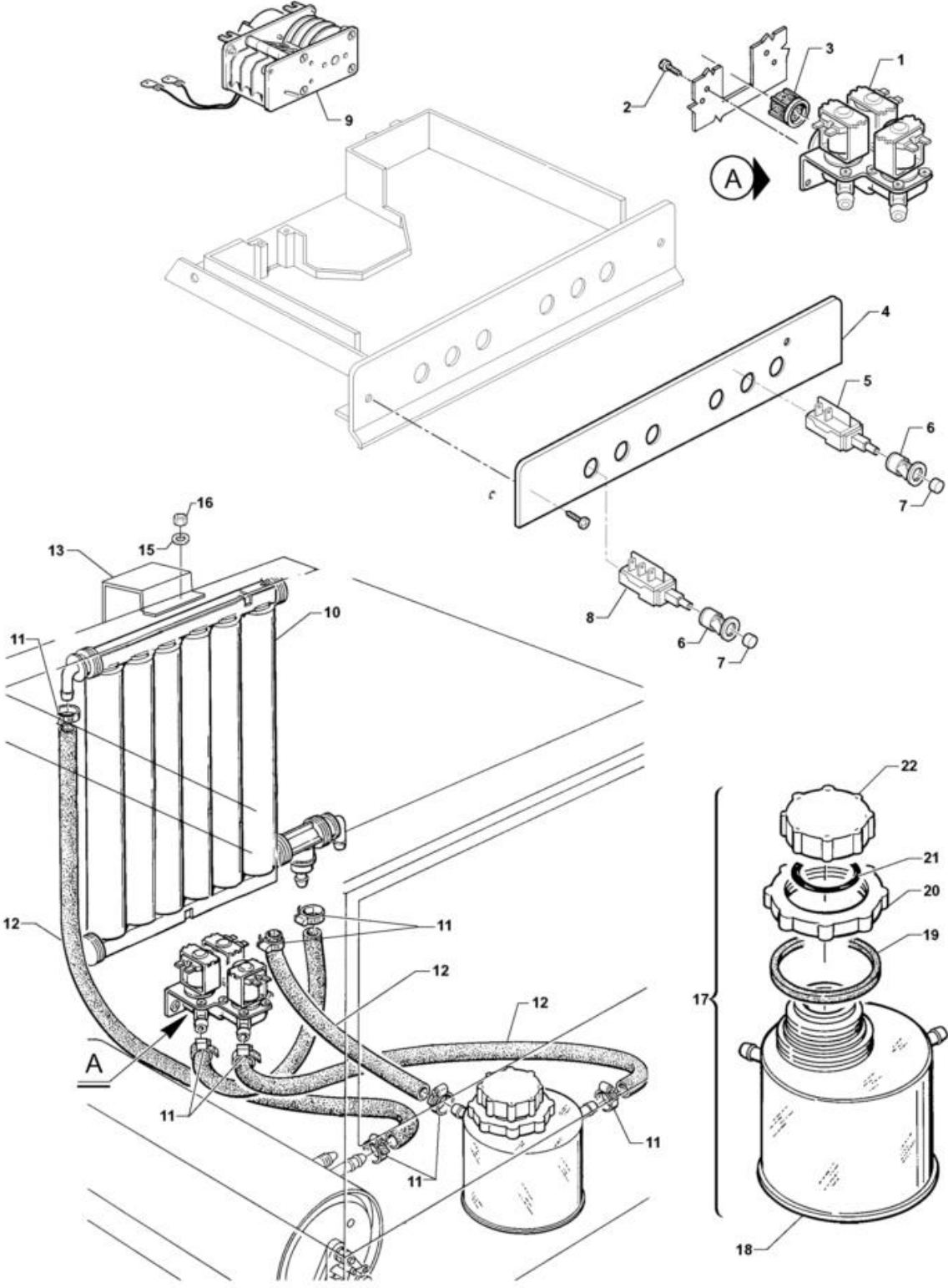
Ed.	06.10.99
Rev.	2001
Data	

Code	Description
26632	SOLENOID V., TRIPLE 3/4" T/N
25700	SCREW CHEESE-H. 4 X 8 KNURLED
26981	FILTER X SOLENOID V.T/N
33597	CONTROL PLATE STS 43 D
33598	CONTROL PLATE STS 48 D
33599	CONTROL PLATE STS 53 D
33600	CONTROL PLATE STS 60 D
34146	NAMEPLATE, CONTROLS DP 35 D
34147	NAMEPLATE, CONTROLS DP 40 D
34148	NAMEPLATE, CONTROLS DP 45 D
34149	NAMEPLATE, CONTROLS DP 50 D
29529	UNIPOLAR PUSHBUTTON NA
33247	SUPPORT LAMP HOLDER, BRIGHT GREY
32890	BRIGHT GREY PUSH-BUTTON,
33596	SWITCH, DOUB.POLE SAA1C14110
26880	TIMER REGENERATION 20" X S/E NKD
33590	WATER SOFTENER 3 COLUMNS
25803	HOSE CLIP 13-20 ABA
00182	HOSE 11X19 CASER/15"BLUE"
33593	SUPP.BRACKET, UPPER DEPUR. STS
33594	SUPP.BRACKET, LOWER DEPUR. STS
25745	SPACER, FLAT, DIAM.6
25774	NUTS 5 MA
20151	SALT CONTAINER FOR SPARE PART 1Kg.
25051	SALT CONTAINER COMPLETE
25265	FLAT GASKET X RESERV. SALT
25033	SALT NUT -> SEE 25051
25246	GASKET OR X SALT CONTAIN.
25034	PLUG, SALT CONTAIN. -> 25051
33973	HOSE FITTING COM 180411
33974	NUT FOR FITTING COM 180130
33975	PIPE 6.5X1.1 COM 160117



Ed.	06.10.99
Rev.	2001
Data	

Code	Description
26632	SOLENOID V., TRIPLE 3/4" T/N
25700	SCREW CHEESE-H. 4 X 8 KNURLED
26981	FILTER X SOLENOID V.T/N
33597	CONTROL PLATE STS 43 D
33598	CONTROL PLATE STS 48 D
33599	CONTROL PLATE STS 53 D
33600	CONTROL PLATE STS 60 D
34146	NAMEPLATE, CONTROLS DP 35 D
34147	NAMEPLATE, CONTROLS DP 40 D
34148	NAMEPLATE, CONTROLS DP 45 D
34149	NAMEPLATE, CONTROLS DP 50 D
29529	UNIPOLAR PUSHBUTTON NA
33247	SUPPORT LAMP HOLDER, BRIGHT GREY
32890	BRIGHT GREY PUSH-BUTTON,
33596	SWITCH, DOUB.POLE SAA1C14110
26880	TIMER REGENERATION 20" X S/E NKD
36038	6-COLUMN SOFTENER
25803	HOSE CLIP 13-20 ABA
00182	HOSE 11X19 CASER/15"BLUE"
36039	FIX.JUMPER, 6-COL. SOFTENER
25745	SPACER, FLAT, DIAM.6
25774	NUTS 5 MA
20151	SALT CONTAINER FOR SPARE PART 1Kg.
25051	SALT CONTAINER COMPLETE
25265	FLAT GASKET X RESERV. SALT
25033	SALT NUT -> SEE 25051
25246	GASKET OR X SALT CONTAIN.
25034	PLUG, SALT CONTAIN. -> 25051
33973	HOSE FITTING COM 180411
33974	NUT FOR FITTING COM 180130
33975	PIPE 6.5X1.1 COM 160117



Ed.	2003
Rev.	
Data	

Water-softner without by-pass

Code	Description
26632	SOLENOID V., TRIPLE 3/4" T/N
25700	SCREW CHEESE-H. 4 X 8 KNURLED
26981	FILTER X SOLENOID V.T/N
33597	CONTROL PLATE STS 43 D
33598	CONTROL PLATE STS 48 D
33599	CONTROL PLATE STS 53 D
33600	CONTROL PLATE STS 60 D
34146	NAMEPLATE, CONTROLS DP 35 D
34147	NAMEPLATE, CONTROLS DP 40 D
34148	NAMEPLATE, CONTROLS DP 45 D
34149	NAMEPLATE, CONTROLS DP 50 D
29529	UNIPOLAR PUSHBUTTON NA
33247	SUPPORT LAMP HOLDER, BRIGHT GREY
32890	BRIGHT GREY PUSH-BUTTON,
33596	SWITCH, DOUB.POLE SAA1C14110
26880	TIMER REGENERATION 20" X S/E NKD
36038	6-COLUMN SOFTENER
25803	HOSE CLIP 13-20 ABA
00182	HOSE 11X19 CASER/15"BLUE"
36039	FIX.JUMPER, 6-COL. SOFTENER
25745	SPACER, FLAT, DIAM.6
25774	NUTS 5 MA
20151	SALT CONTAINER FOR SPARE PART 1Kg.
25051	SALT CONTAINER COMPLETE
25265	FLAT GASKET X RESERV. SALT
25033	SALT NUT -> SEE 25051
25246	GASKET OR X SALT CONTAIN.
25034	PLUG, SALT CONTAIN. -> 25051