

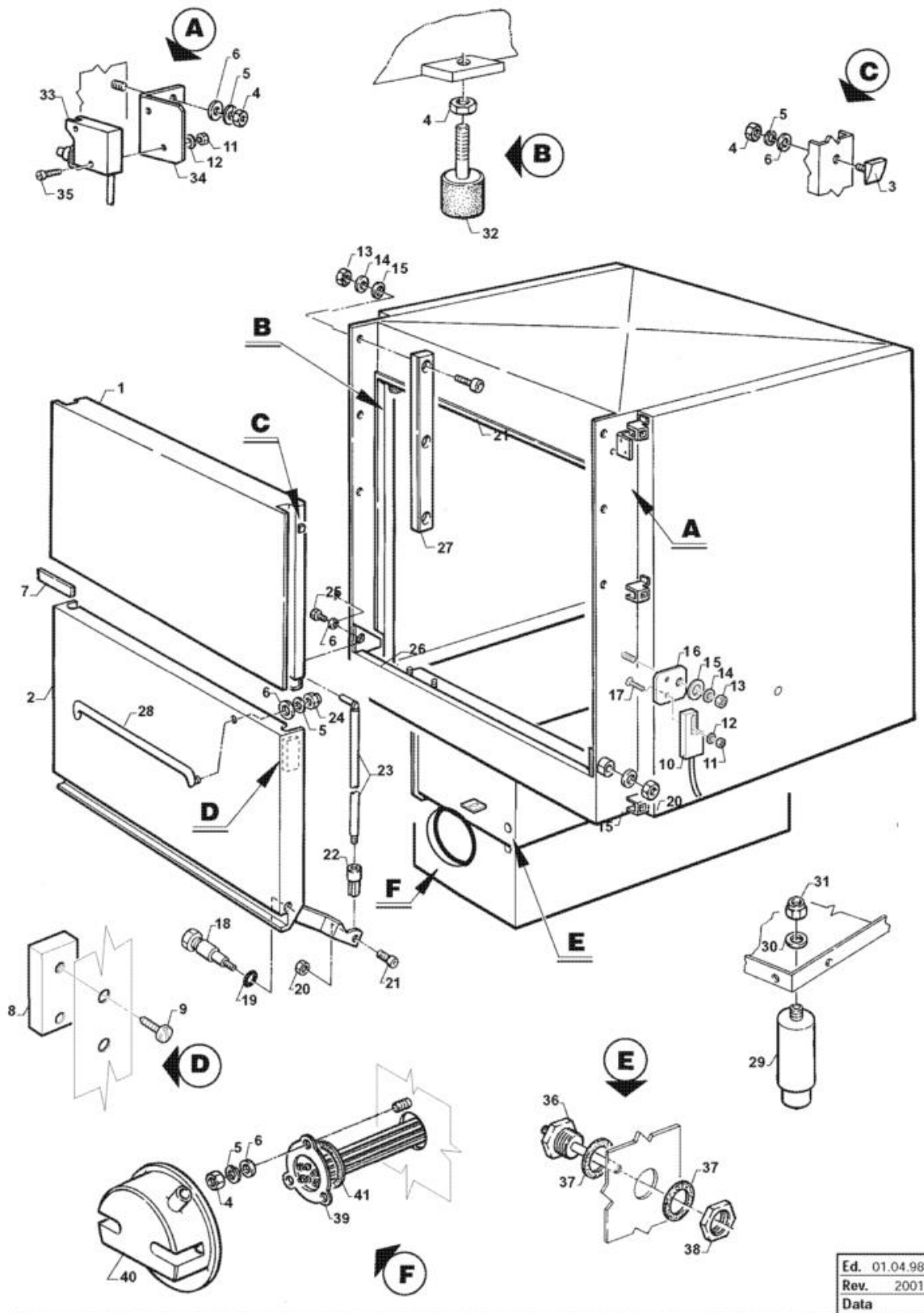
**CATALOGO RICAMBI  
SPARE PARTS BOOK**

***ED 700/90***

***LO 78***

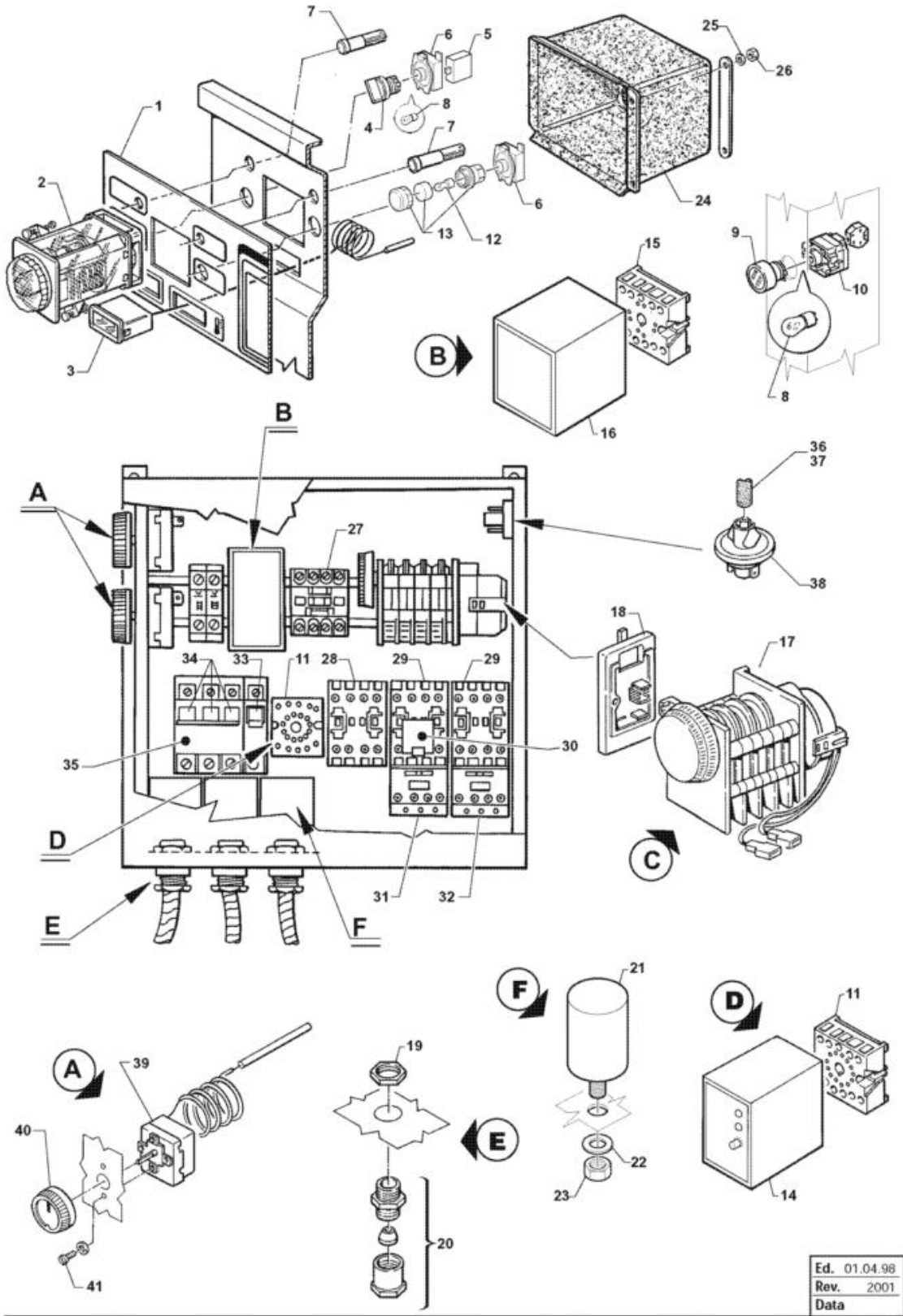
Ed. 04/98  
rev. 2001

- 1 Door Components
- 2 Electrical Components
- 3 Upper Wash/rinse
- 4 Lower Wash/rinse
- 5 Wash Pump
- 6 Rinse Pump
- 7 Rinse
- 8 Rinsing Boiler / Filter
- 9 Rinsaid Part
- 10 Bottom Wash
- 11 Detergent Pump



## Door Components

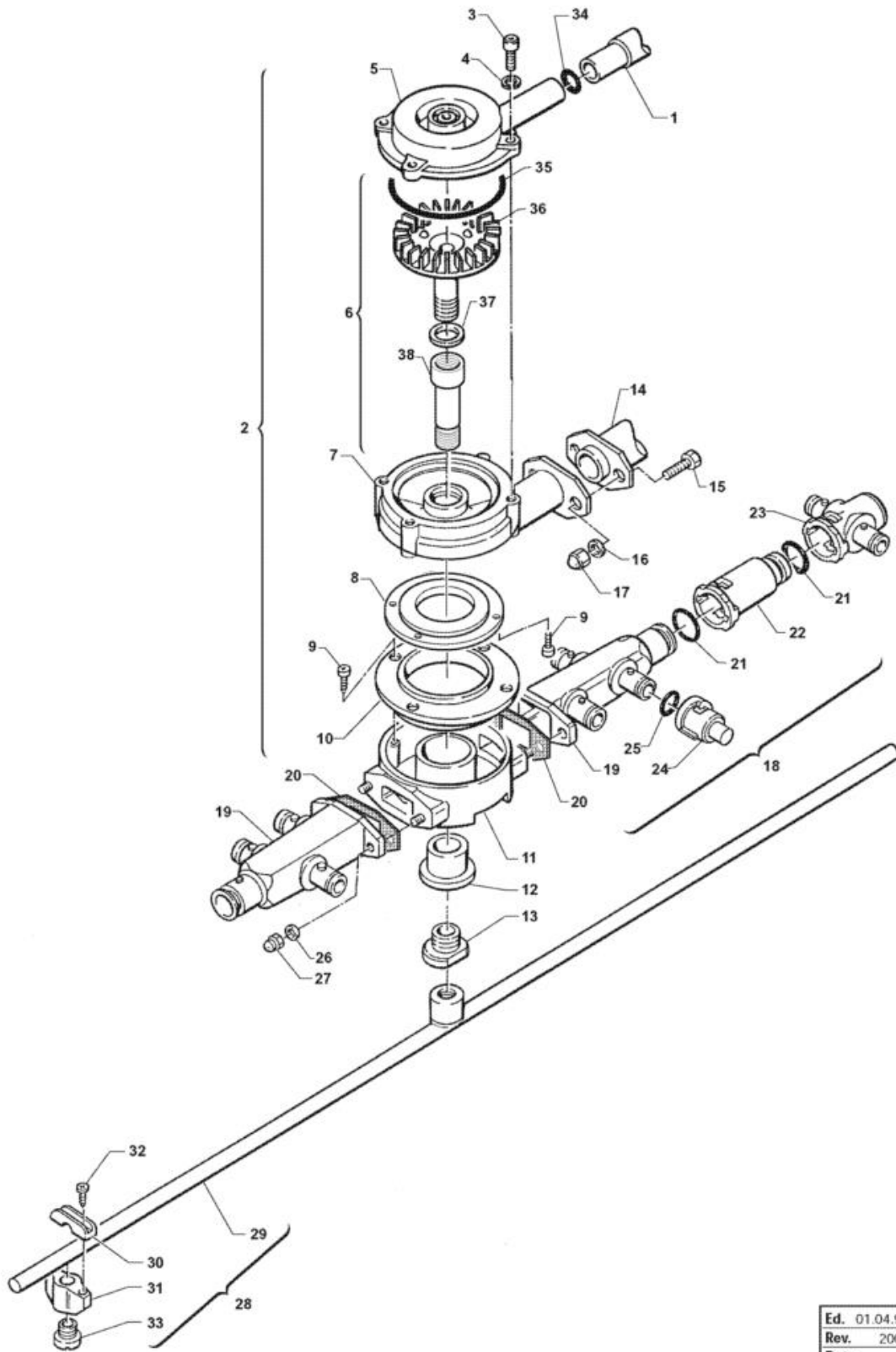
Code	Description	
18175	UPPER DOOR CPL ED700/90 SATIN	
18174	LOWER DOOR CPL ED 700/90 SATI	
25142	DOOR COUPLING BAR ED 700/900	
25775	NUT 6 MA	
25750	SPACER, SPLITTED, DIAM. 6	
25745	SPACER, FLAT, DIAM.6	
00991	ROLL FLAT PROFILE 15X5	
32969	MAGNET FOR CONTACT M350 AP	
33277	SELF-TAPPING SCREW TSP 2,9 X 9,5	
32968	MAGNETIC SENSOR	
25777	NUTS 3 MA	
31828	DENTED ROUND SPACER, EX ? 3	
25776	NUTS 8 MA SS 18/8	
25751	SPACER. SPLITTED, DIAM. 8	
25747	SPACER, FLAT, DIAM. 8	
18730	FIX.PLATE, MAGNETIC COUNTER	
32970	BEVEL, CROSS-SLOT HD. SCREW TS 3 X	
18061	PIN DOOR 630-700-900/90	
25252	GASKET OR 108	
25793	SELF-LOCKING NUT 8 MA LOWER SIDE	
25730	SCREW HEX.HD M 8 X 25	
18046	FORK, LOWER WASHARM	
18166	ROD DOOR LIFT-700-900/90	
25787	NUT BLIND 6 MA	
25708	SCREW HEX.HD M 5 X 10 SS	
25141	LARGE SIZE SPACER, DOOR	
18165	BAR SLIDING DOOR 700-900/90	
18104	HANDLE ED 600/700/900/90	
31870	FOOT CPL 2"=SLEEVE.L=85+BOTTOM	
25748	SPACER, FLAT, DIAM.10	
26758	SELF-LOCKING NUT 10 MA	
31343	SHOCK ABSORBER, DOOR ED 630/90	
30660	MICROSWITCH MP 320	
18064	FIX. HOLDER MICROSW. ED630/90	
27164	CHEESE HD SCREW 3 X 20	
25042	LEVEL PROBE	
25267	FLAT GASKET 31 X 21 X 2	
26651	NUT X T 1/2"	
33400	HEAT.EL.FL.6000W 220/380V (110349)	
25207	BOILER COVER	
33402	GASKET OR 6X56X68	



Ed. 01.04.98
Rev. 2001
Data

## Electrical Components

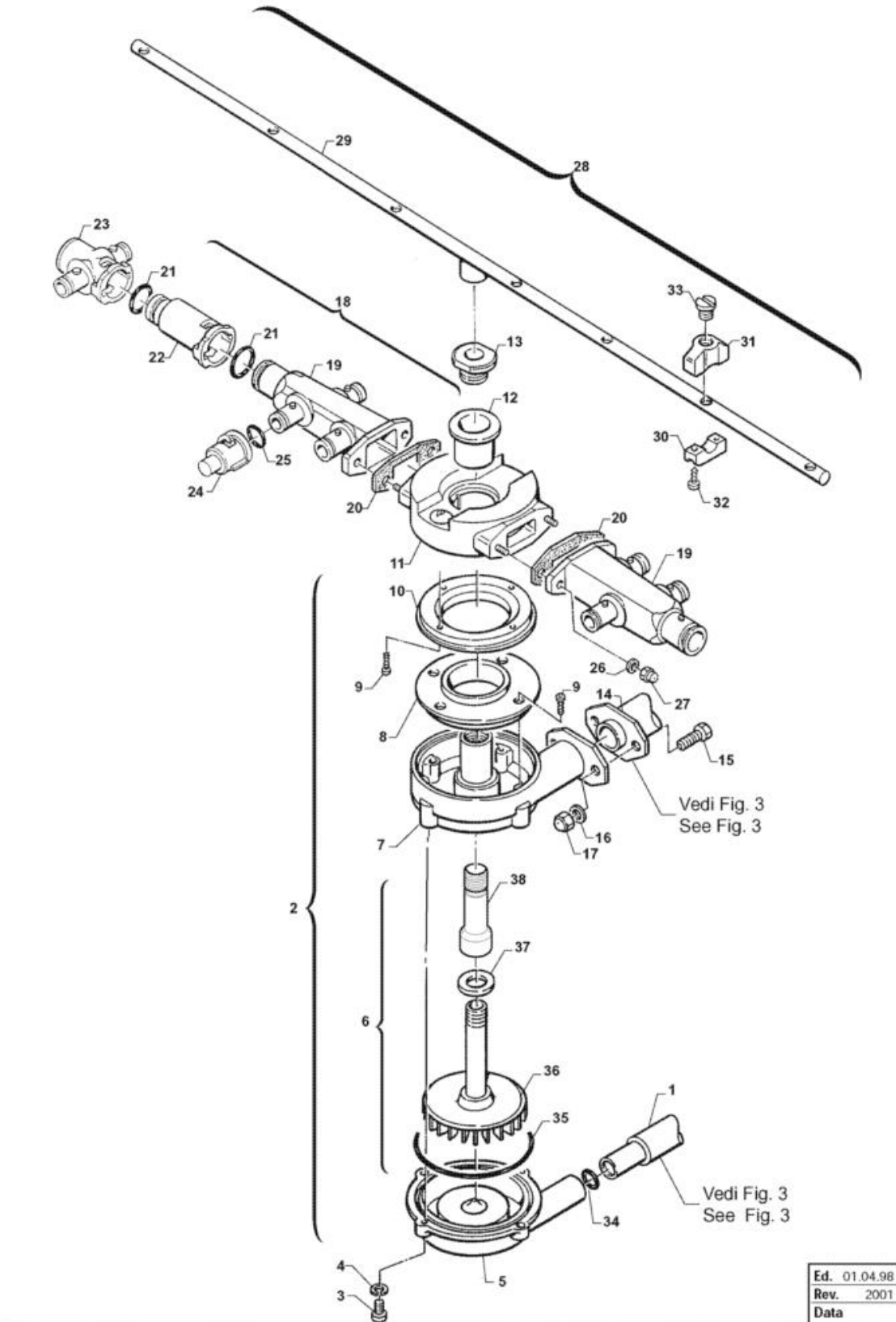
Code	Description	
31789	PLATE, CTRL PAN.W/PILOT L. EX EX ?	
32580	CONTROL BOARD PLATE LO 78	
25408	TIMER T45 220V OTC.	
26236	THERMOMETRE MT 2	
32065	LIGHT SELECTOR "GREEN"	
31963	CONTACT ELEM. NO COMEPI	
32070	LAMP HOLDER, FIXING BASE	
25478	PILOT LAMP "RED" 220 V.	
29877	FLUOR.LIGHT BULB, GREEN 220 V.	
26934	PUSH-BUTTON TOP "YELLOW"	
31949	LAMP HOLDER+BASE+TELEM.COMP.	
25615	BASE UNDECAL	
29878	NEON LIGHT BULB 220 V.	
32071	BLUE SHIELD, PILOT LAMP	
31822	CONDUCTIVITY METER DETERGENT	
27193	BASE, OCTAL	
27434	LEVEL CONTROL	
25404	TIMER MINIFLEX 90"	
25591	BASE FOR TIMER	
32045	NUT FOR CABLE FIXING	
31327	CABLE FIXING PG 21	
31324	NOISE FILTER, TYPE 5001	
25757	TOOTHED SPACER DIAM. 12 D.E.D787	
25782	NUT 8 MA	
25229	GUARD, PUSHBUTTONS 700-900	
25743	SPACER, FLAT, DIAM. 4	
25773	NUTS 4 MA SS 18/8	
31873	REMOTE SWITCH 220-240V- B6-30-10	
31981	CONTACTOR CN 18 - 220V 50HZ	
31982	CONTACTOR CN9 - 220V 50 HZ	
32056	CENTRAL CONTACT NO G480/20	
32057	THERMAL RELAY RF25 4-6 A RHN10	
35444	THERMAL RELAY ABB TA 25 DU 6,5	
32060	THERMAL RELAY 1,4-2,3 A.	
35441	THERMAL RELAY ABB TA 25 DU 2,4	
28048	FUSE 10 X 38 6 A	
28118	FUSE 10 X 38 25 A	
31704	BREAK SWITCH SINGLE POLE	
00166	ROLL TUBE TRANSP. 4X7	
00540	RED TUBE 8X4 ROLL	
30687	PRESSURE SWITCH LVL N.C.	
25417	THERMOSTAT 30-90? MT. 2	
25092	HANDLE, BLACK WHITE INDEX	
25699	SCREW CHEESE-H. 4 X 6	



Ed.	01.04.98
Rev.	2001
Data	

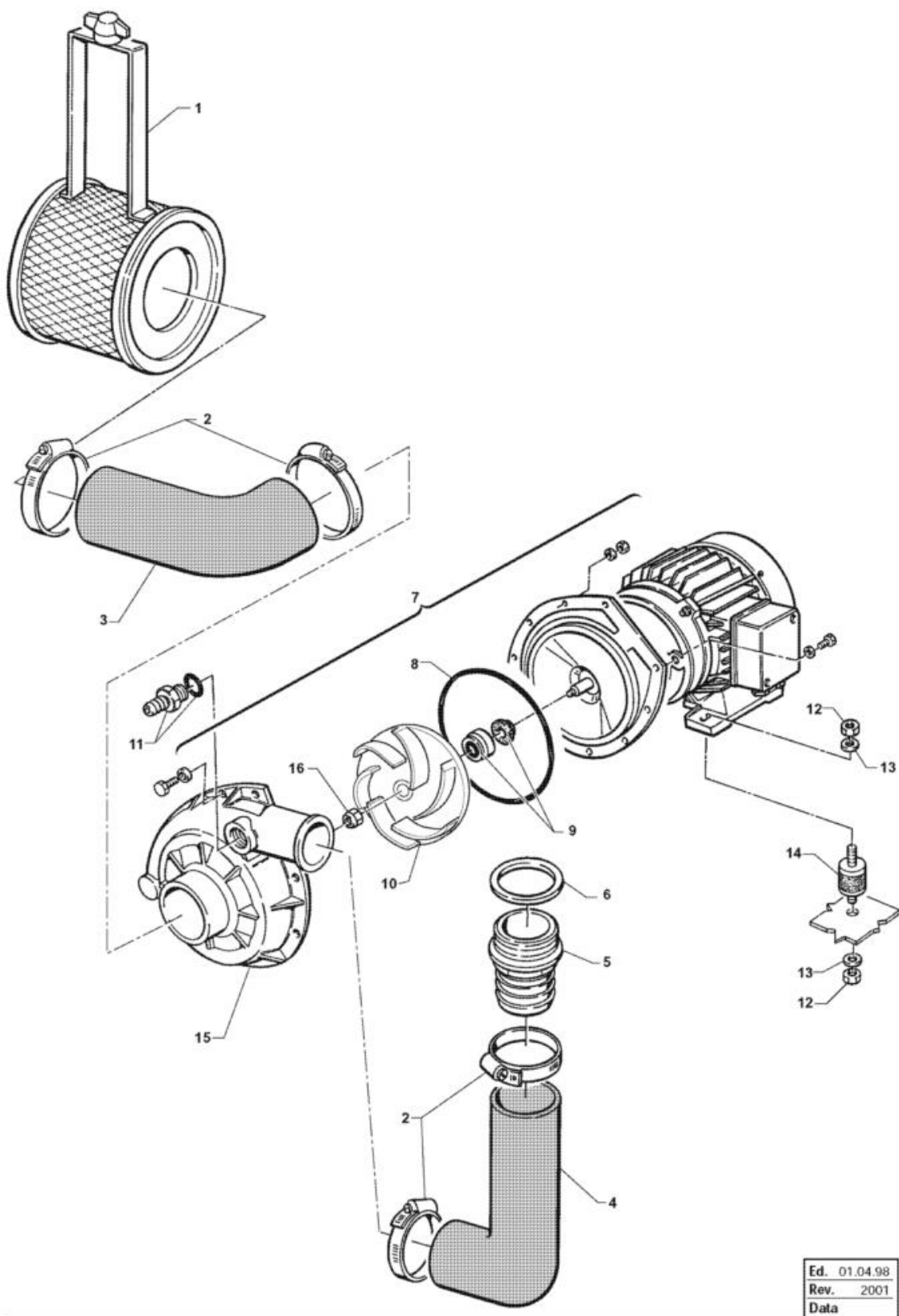
## Upper Wash/rinse

Code	Description	
18214	FEEDING RINSE ARM ED 600/700N	
21540	TURBO, LARGE, PREASS. ED700.900/90	
25725	SCREW SOCKET FLAT-H. 6 X 16	
25750	SPACER, SPLITTED, DIAM. 6	
30991	TURBINE COVER (OLD TYPE)	
31447	BOX, LOW.RINSE TURBO, SMALL	
21989	KIT, LWR TURB. SPARE ED 700/90	
30849	BOX, TURBO WASHARM, LARGE	
30850	COVER, TURBO WASH BOX, LARGE	
31480	CHEESE HD,CROSS-SL.,THR.SCREW 2,9X2	
30848	FLANGE FOR LARGE TURBO COVER	
30847	COVER, TURBO WASHARM, LARGE	
30483	BUSH SPRING ROTAT. "E" TURBO	
18751	NUT X PIN WASH BOX	
18213	FEED WASH ARM, ED700/90	
25715	SCREW HEX.HD M 6 X 16 SS	
25745	SPACER, FLAT, DIAM.6	
25787	NUT BLIND 6 MA	
21539	UPPER WASHARM PREASS.ED700	
30221	WASHARM FOR LARGE TURBINE	
31063	GASKET, WASHARM 700-900-EDT	
30220	GASKET OR 2112	
31444	LARGE,TURBO WASHARM EXTENS.	
30223	T-SHAPED END X WASHARM LARGE TURB.	
31619	WASH JET 2 SECT.ED 700/90	
27050	GASKET OR 2068	
25744	SPACER, FLAT, DIAM.5	
26761	NUT BLIND 5 MA	
18179	RINSE UPPER REVOLV ARM.ED 700/90	
31313	HOSE CLIP FOR RINSE NIPPLES	
31314	NIPPLES RINSE JETS	
25714	SELF-TAPPING SCREW TC 2,9X9,5 SS	
29695	RINSE NOZZLE "BLACK"	
30473	GASKET, OR 114	
31386	GASKET OR 3268	
31511	TURBINE FOR TURBO BY-PASS T/N	
18345	SPACER RING	
18568	EXTENDER TURBINE ED 700-900/90	



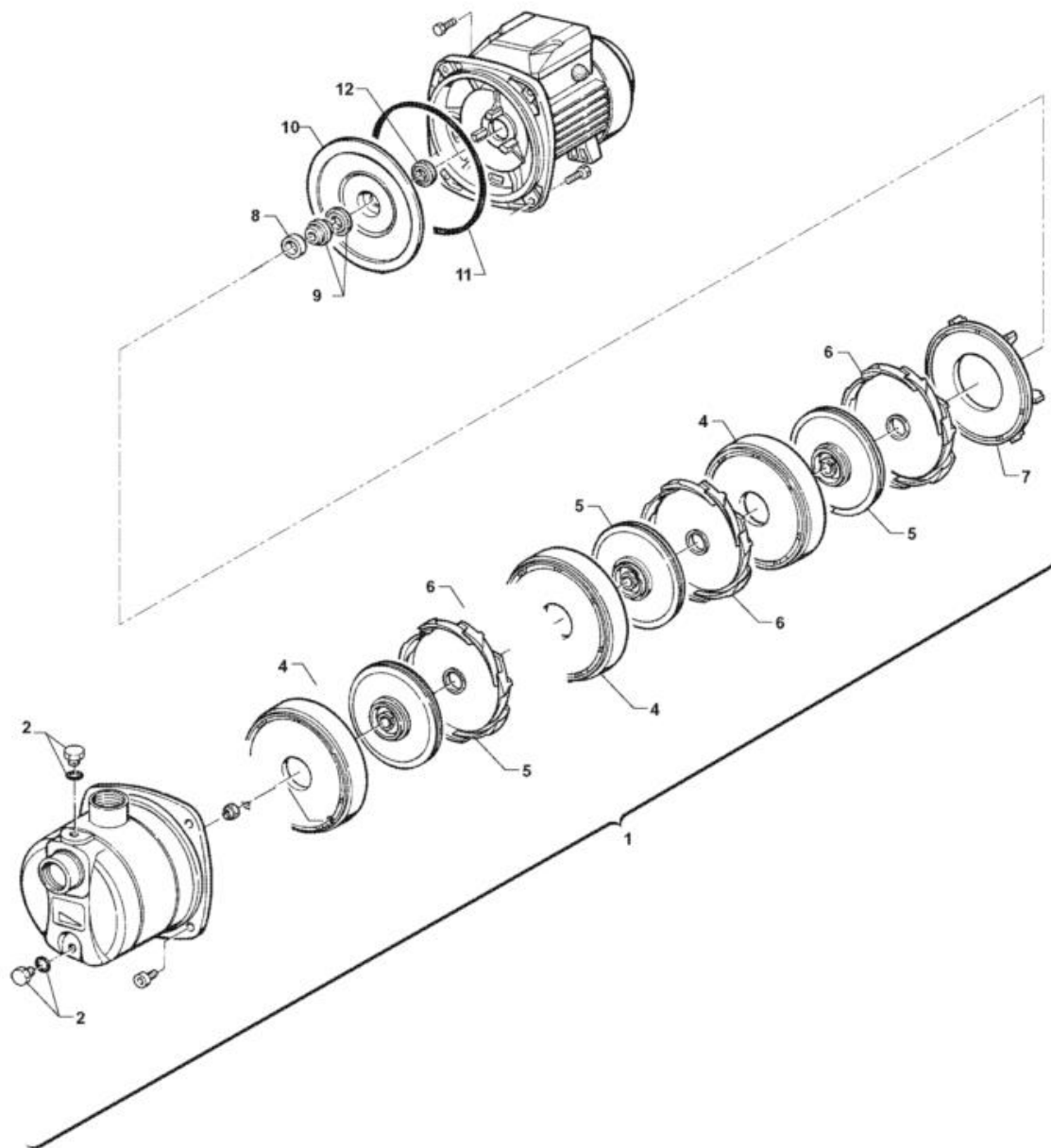
## Lower Wash/rinse

Code	Description	
18214	FEEDING RINSE ARM ED 600/700N	
21540	TURBO, LARGE, PREASS. ED700.900/90	
25725	SCREW SOCKET FLAT-H. 6 X 16	
25750	SPACER, SPLITTED, DIAM. 6	
30991	TURBINE COVER (OLD TYPE)	
31447	BOX, LOW.RINSE TURBO, SMALL	
21989	KIT, LWR TURB. SPARE ED 700/90	
30849	BOX, TURBO WASHARM, LARGE	
30850	COVER, TURBO WASH BOX, LARGE	
31480	CHEESE HD,CROSS-SL.,THR.SCREW 2,9X2	
30848	FLANGE FOR LARGE TURBO COVER	
30847	COVER, TURBO WASHARM, LARGE	
30483	BUSH SPRING ROTAT. "E" TURBO	
18751	NUT X PIN WASH BOX	
18213	FEED WASH ARM, ED700/90	
25715	SCREW HEX.HD M 6 X 16 SS	
25745	SPACER, FLAT, DIAM.6	
25787	NUT BLIND 6 MA	
21539	UPPER WASHARM PREASS.ED700	
30221	WASHARM FOR LARGE TURBINE	
31063	GASKET, WASHARM 700-900-EDT	
30220	GASKET OR 2112	
31444	LARGE,TURBO WASHARM EXTENS.	
30223	T-SHAPED END X WASHARM LARGE TURB.	
31619	WASH JET 2 SECT.ED 700/90	
27050	GASKET OR 2068	
25744	SPACER, FLAT, DIAM.5	
26761	NUT BLIND 5 MA	
18179	RINSE UPPER REVOLV ARM.ED 700/90	
31313	HOSE CLIP FOR RINSE NIPPLES	
31314	NIPPLES RINSE JETS	
25714	SELF-TAPPING SCREW TC 2,9X9,5 SS	
29695	RINSE NOZZLE "BLACK"	
30473	GASKET, OR 114	
31386	GASKET OR 3268	
31511	TURBINE FOR TURBO BY-PASS T/N	
18345	SPACER RING	
18568	EXTENDER TURBINE ED 700-900/90	



## Wash Pump

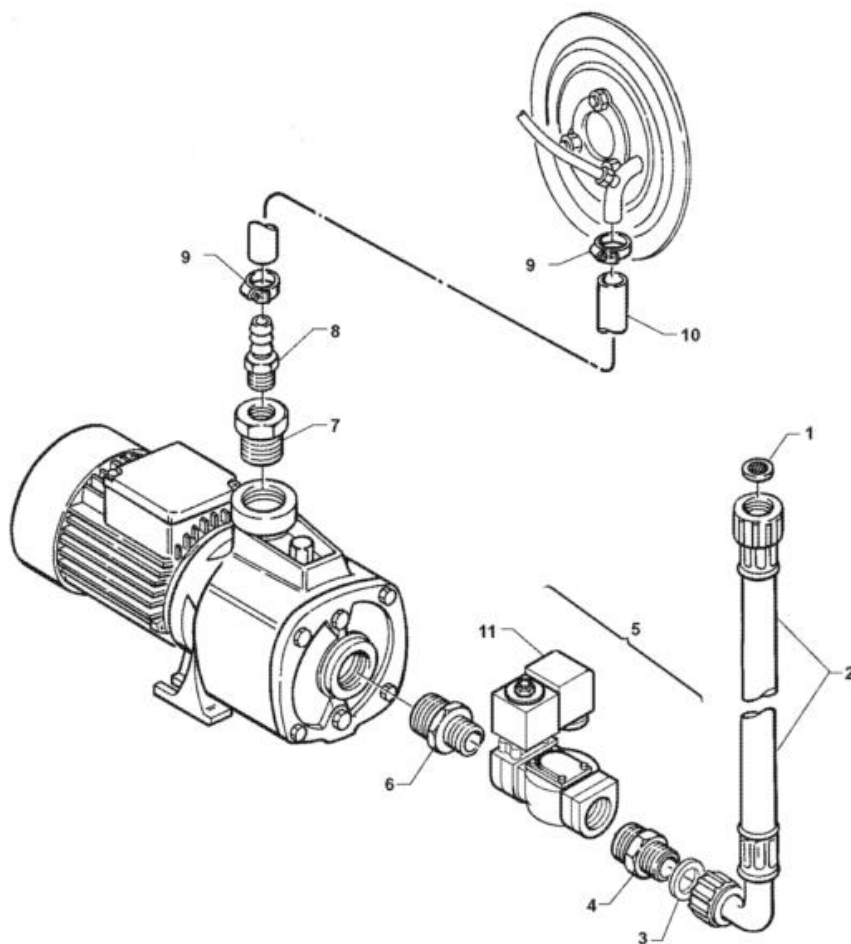
Code	Description	
32130	HOSE CLIP 60-80	
29532	SUCT SLEEVE.ED700-900-650E	
31788	OUTLET SLEEVE A 90? EXT. ? 700	
31694	HOSE FITTING 2 ENDS O 60	
32587	FLAT GASKET 74X59,5X2	
31795	WASH PUMP INDUSTR.HP 3,7 LEFT	
25806	GASKET OR, COVER OF PUMP HP 3,6	
26188	SHAFT SEAL WASH PUMP HP 3,6	
26195	IMPELLER WASH P.HP 3,6	
15211	NIPPLE BRASSHOSE FITTING PUMP	
25776	NUTS 8 MA SS 18/8	
25747	SPACER, FLAT, DIAM. 8	
25232	ISOLATOR 2 PINS 8 MA 30x20	
26359	WASH PUMP HOUS.HP 3,7 W/NIPPLE	
27080	LOCKING NUT IMPELLER PUMP HP3,6	



Ed.	01.04.98
Rev.	2001
Data	

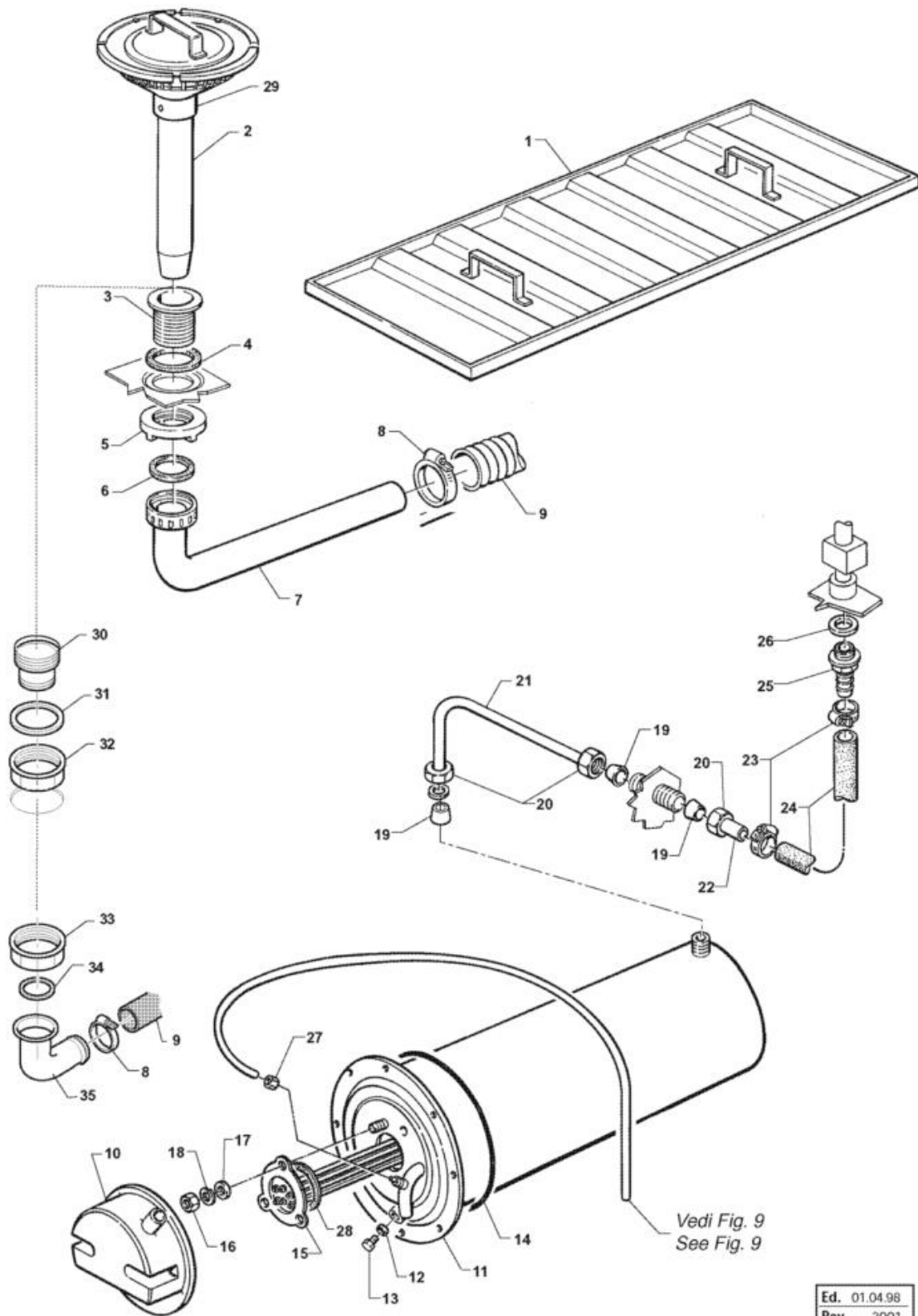
## Rinse Pump

Code	Description	
32956	WASH PUMP PRESS.SW. 0,85 HP	
32964	PUMP PLUG 3CR 100	
32957	COVER FOR PUMP 3CR 100	
32958	IMPELLER FOR PUMPO 3CR 100	
32959	DIFFUSER FOR PUMP 3CR 100	
32966	COUNTERDISC 3CR 100	
32961	SPACER RING 3CR 100	
32960	MECH.SEAL.PUMP 3CR 100 use35371	
32965	PUMP COVER CR 100	
32963	GASKET, OR PUMP 3CR 100	
32962	SPACER, PUMP 3CR 100	



Ed.	01.04.98
Rev.	2001
Data	

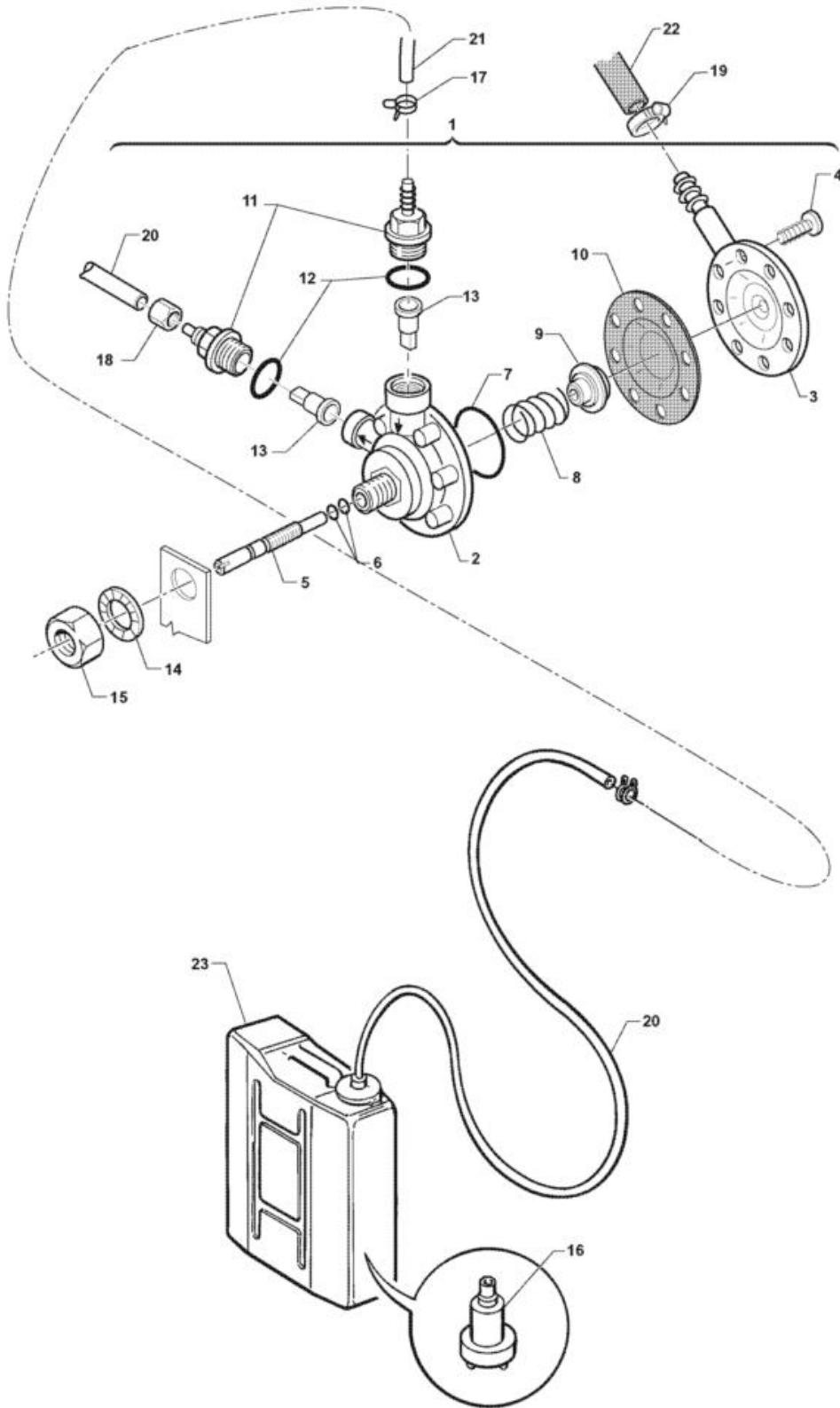
Code	Description	
30541	FILTER ON FILLING HOSE 3/4"	
26694	INLET TUBE NYLON M.2 dia.15	
25269	FLAT GASKET	
15043	BRASS NIPPLES 3/4 M/M	
27132	INDUSTR.SOLENOID VALVE 3/4"	
31661	THREADED P.UNION 1"-3/4" M/M	
16402	HOSE FITTING M DA 1/2" X 20	
15377	ADAPTER 1"M-1/2"F	
29608	HOSE CLIP 17-32CLAM	
00184	19X29 ANTICAL HOSE	
30299	COIL FOR SOLENOID VALVE 3\4"G	



Ed.	01.04.98
Rev.	2001
Data	

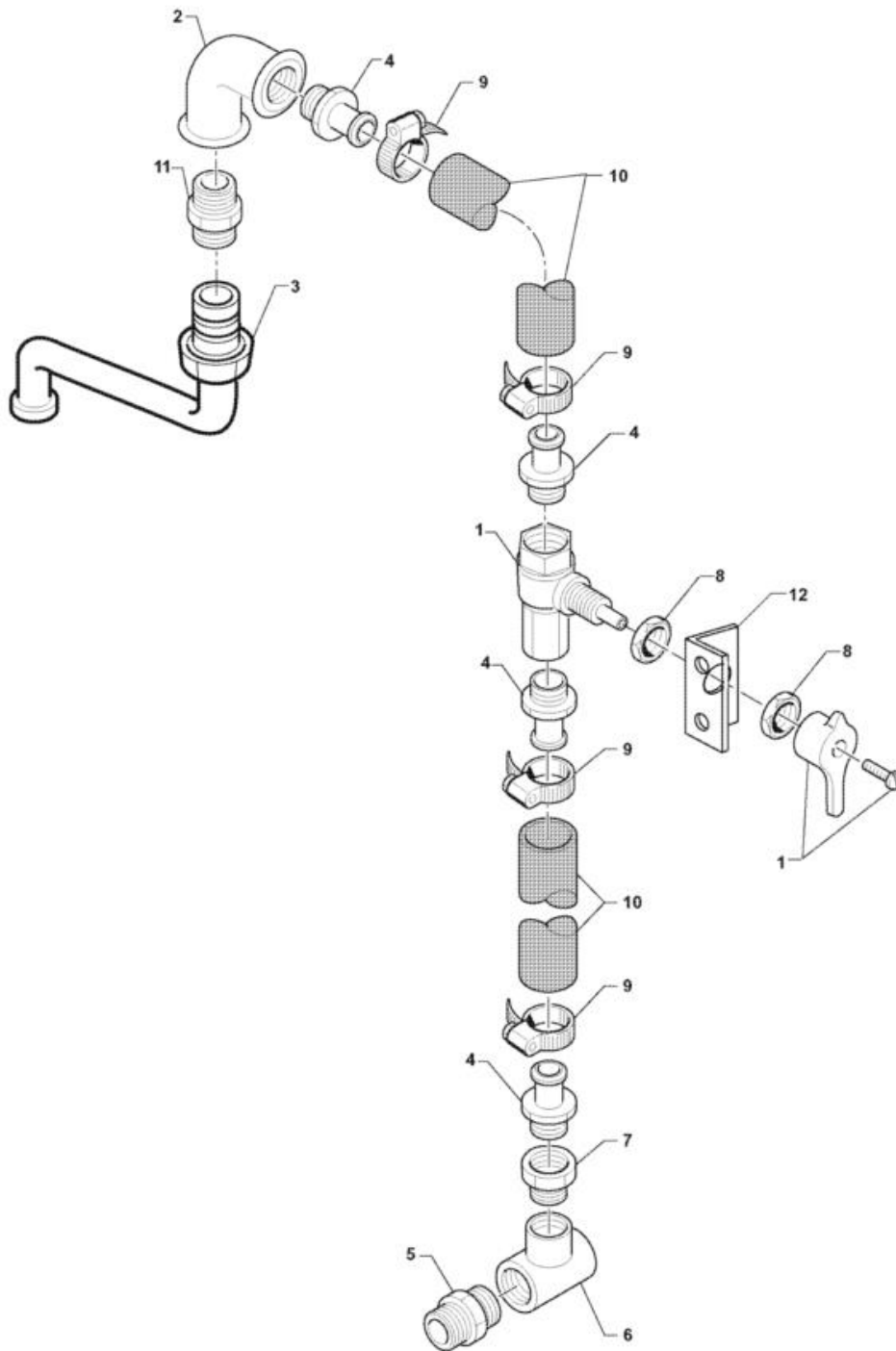
## Rinsing Boiler / Filter

Code	Description	
15629	TANK FILTER ED 700/90 N	
21521	OVERFLOW TUBE PREASS.ED 700-900	
25138	DRAIN ELBOW, THREAD. 1" 1/2	
26289	GASKET, FLAT 65 X 48 X 1	
25007	MEDIUM NUT X WASH ARM	
25261	FLAT GASKET 43,5 X 32	
26875	90° PIPE UNION W/THREAD.RING 1"1/2	
25810	HOSE CLIP 55-70	
27110	DRAIN HOSE DIAM.33X1500	
25207	BOILER COVER	
18212	BOILER CPL ED 700/90 N	
25274	FLAT GASKET 12 X 6 X 2	
26863	HEX HD SCREW 6 X 8 STAINLESS S.	
25255	GASKETOR 223	
33400	HEAT.EL.FL.6000W 220/380V (110349)	
25775	NUT 6 MA	
25745	SPACER, FLAT, DIAM.6	
25750	SPACER, SPLITTED, DIAM. 6	
26515	TAPERED SPACER FOR EXCHANGER	
15270	COVER CUP FOR EXCHANGER T/N	
15881	TUBE JUNCT. BOILER-TANK 700.900	
15872	RUBBER HOLDER TUBE 700-900/90	
29608	HOSE CLIP 17-32CLAM	
00184	19X29 ANTICAL HOSE	
16402	HOSE FITTING M DA 1/2" X 20	
32520	GASKET, FLAT, 27X21X2	
15228	RING FOR RINSING SOLUTION TUBE	
33402	GASKET OR 6X56X68	
29466	FUNNEL, OVERFLOW TUBE SR	
33525	DRAIN ELBOW 1"1/2 C85-140	
33529	GASKET, NEOP.1 1/2D.65X47X2SP.	
33527	LOCK NUT 1 1/2" POLYPROP.	
33526	NUT 1"1/2, ELBOW F45-C75	
33530	DRAIN GASKET 1"1/2 45X33X3	
33524	ELBOW 1"1/2, DRAIN N-S-F-C	



Ed.	01.04.98
Rev.	2001
Data	

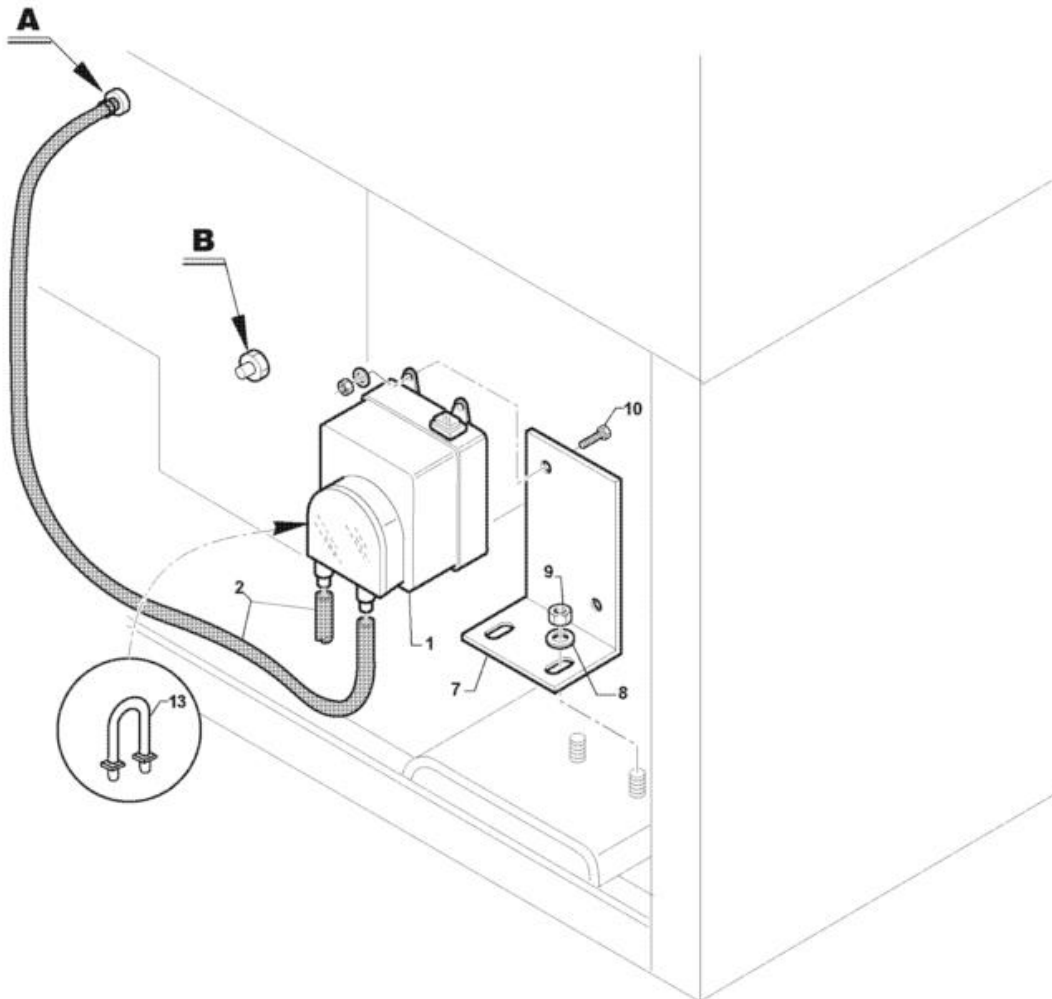
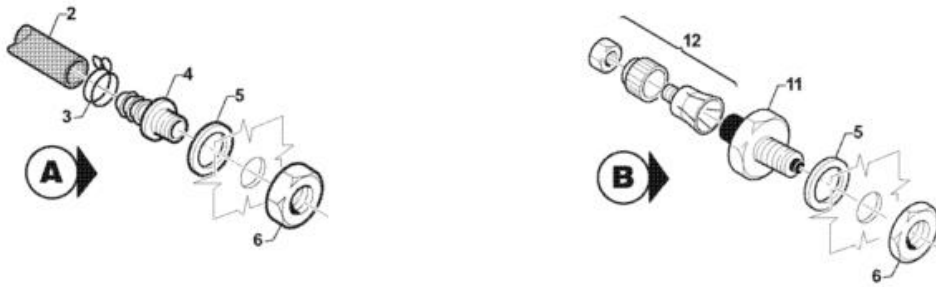
Code	Description	
22060	RINSE AID DISP.PREASS."YELLOW"1?	
25046	UPPER DISPENSER ASSEMBLY	
25047	LOWER DISPENSER ASSEMBLY	
25697	SELF-TAPPING SCREW CHEESE D747H.ROS	
18394	SCREW CONTROL DISPENSER	
25251	GASKET OR 2012	
32243	GASKET OR 3156	
25818	CYLINDER SPRING (WIRE)	
31991	SPRING GUIDE FOR DISPENSER	
31596	DIAPHRAGM, DISPENSER	
32084	FITTING KIT, SUCT/DELIV.VLV RINSE A	
32831	GASKET OR 2062	
25211	NON RETURN VALVE RINSE AID DISP.	
25757	TOOTHED SPACER DIAM. 12 D.E.D787	
15229	LOCK NUT AID DISPENSER	
21679	FILTER DET.-RINSE AID PREASS.	
31643	HOSE CLIP 7,3-7,8	
15228	RING FOR RINSING SOLUTION TUBE	
25803	HOSE CLIP 13-20 ABA	
34779	TUBE 6X4 KYNARFLEX -PVDF	
00166	ROLL TUBE TRANSP. 4X7	
00182	HOSE 11X19 CASER/15"BLUE"	
31945	RINSE AID CONTAINER WITH PLUG	



Ed.	01.04.98
Rev.	2001
Data	

## Bottom Wash

Code	Description	
31228	BALL COCK 1/2", EMBEDDED	
30283	ELBOW FEMALE/FEMALE 1/2"	
31077	THROAT AT FAUCET LEFT 18 X 20	
25882	HOSE FITTING 1/2"MALE	
15043	BRASS NIPPLES 3/4 M/M	
34352	T-SHAPED PIPE UNION, BRASS, 3/4"	
34353	LEVELLED ADAPTER, 3/4" X 1/2"	
15241	NUT 3/8"G BRASS NIPPLE RINSE	
25803	HOSE CLIP 13-20 ABA	
00182	HOSE 11X19 CASER/15"BLUE"	
17729	ADAPTER 3/4"-1/2"	
18100	FIXING SQUARE, COCK 640R	



Ed.	01.04.98
Rev.	2001
Data	

## Detergent Pump

Code	Description	
32570	DETERG. DISPENS WALL MOUNT. LP 120	
00540	RED TUBE 8X4 ROLL	
31643	HOSE CLIP 7,3-7,8	
18472	FITTING INJECT. DETERGENT AP	
25266	FLAT GASKET 18 X 10 X 2	
25783	NUT 10 MA	
18467	HOLDING SUPP. PUMP DISPENS.	
25746	SPACER, FLAT, DIAM.6/18	
25775	NUT 6 MA	
27202	CHEESE HD SCREW 4 X 20	
27198	DETERGENT PROBE"DENSAMATIC"	
27203	CONNECTOR FOR DETERGENT PROBE	
32579	INNER TUBE FOR DETERGENT P. 32570	