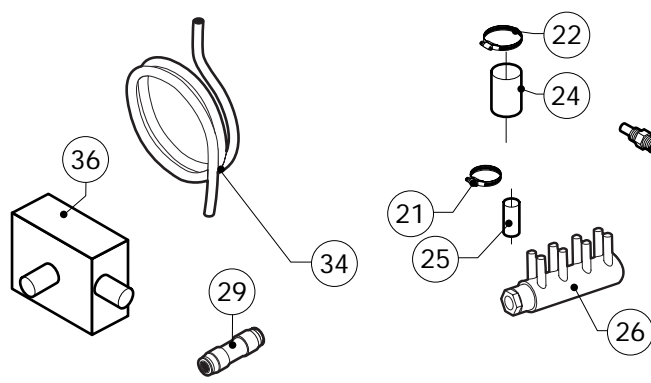
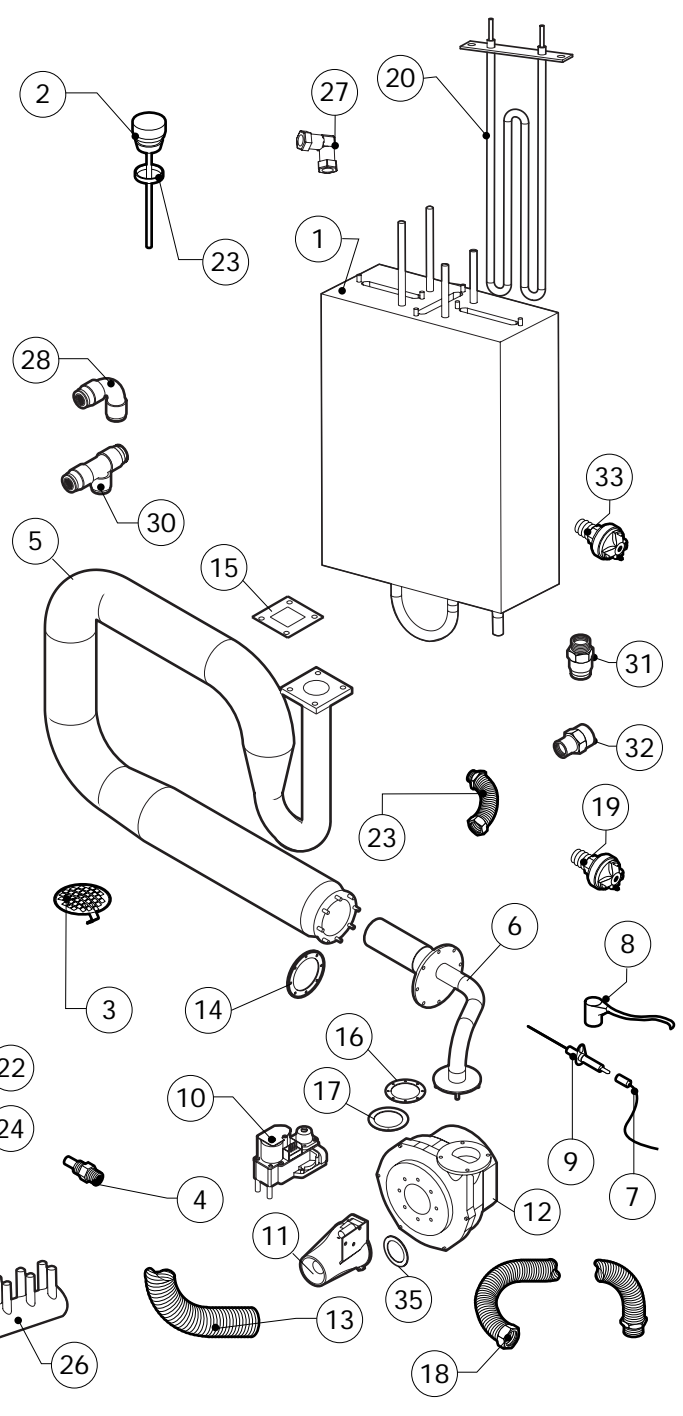
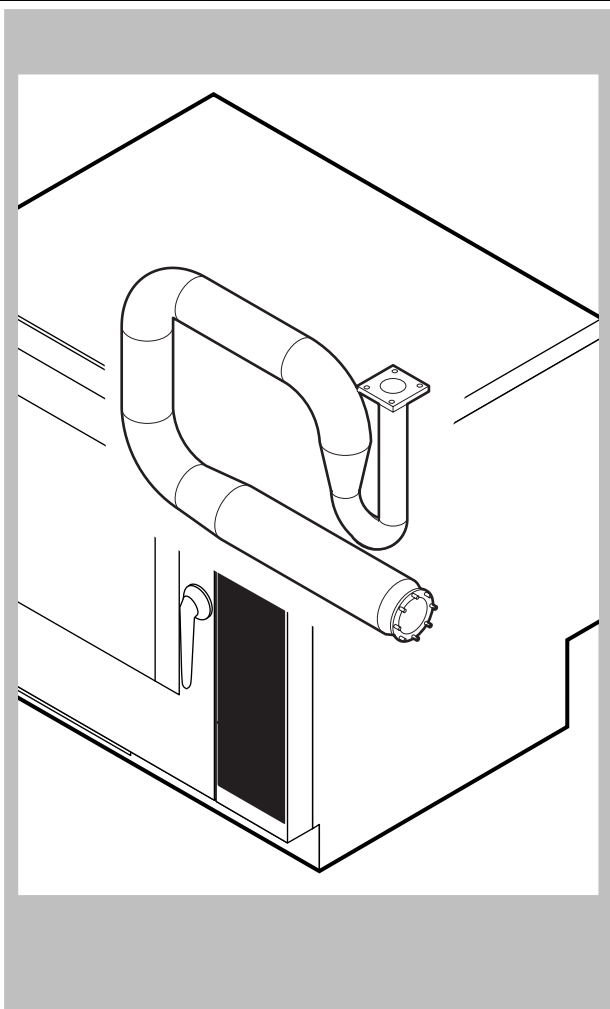


POS.	CODE	PIECES	DESCRIPTION
1	R58003840	1	MOTOR GASKET BRASS FLANGE
2	R58003850	1	MOTOR GASKET BRASS COUNTER FLANGE
3	R58004000	1	FAN SCREW M12x1.5 SX
4	R58004010	1	FAN WASHER Ø 30/12.5
5	R61020562	1	FAN SCREW TE A2 M6x55
6	*R65040530	1	MOTOR 055 KW 200/440V KIT
7	R65070350	1	CHAMBER SAFETY THERMOSTAT
8	R65070340	1	STEAM GENERATOR SAFETY THERMOSTAT
9	R65095000	1	DAMPER SYSTEM
10	R65110240	1	SOLENOID VALVE 220V 50HZ
11	R65110200	1	SOLENOID VALVE 220V 50HZ
12	R65110500	1	10 LT/H WATER FLOW REDUCER
13	R63060160	1	BURNER IGNITION PANEL
14	R65180270	1	IGNITION TRANSFORMER
15	R65140830	1	INVERTER 0,8KW
16	R63130050	1	GAS BURNER FAN MOTOR PCBOARD
17	*R65140700	1	CONTACTOR DIL M9-01 4KW-20A
18	*R65140730	1	AUX.CONTACT 1L+1R DILM32-XHI11 4-7,5KW
19	R65180420	1	TRANSFORMER 20VA

POS.	CODE	PIECES	DESCRIPTION
20	R65200370	1	FUSE 8A
21	R65200200	1	FUSE 2A
22	R65200160	1	FUSE 1A
23	R65200320	1	FUSE 0.200A (T)
24	R65200086	1	FUSE 0.125A (T)
25	R65210020	5	FUSE CARRIER
26	R65220081	1	TERMINAL BOARD
27	R65265100	1	DOOR SWITCH
28	*R65280200	3	INTERFERENCE SUPPRESSOR
29	*R65280480	1	FERRITE FT25
30	*R65280490	1	FERRITE FT35
31	R65450200	1	INDUCTANCE
32	R65325000	3	PROBE PT100
33	R70020040	1	MOTOR GASKET
34	*R75400500	1	FAN Ø 250x120/26 50HZ P.D. KIT

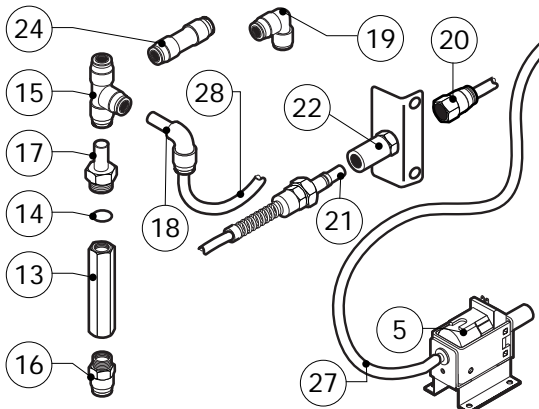
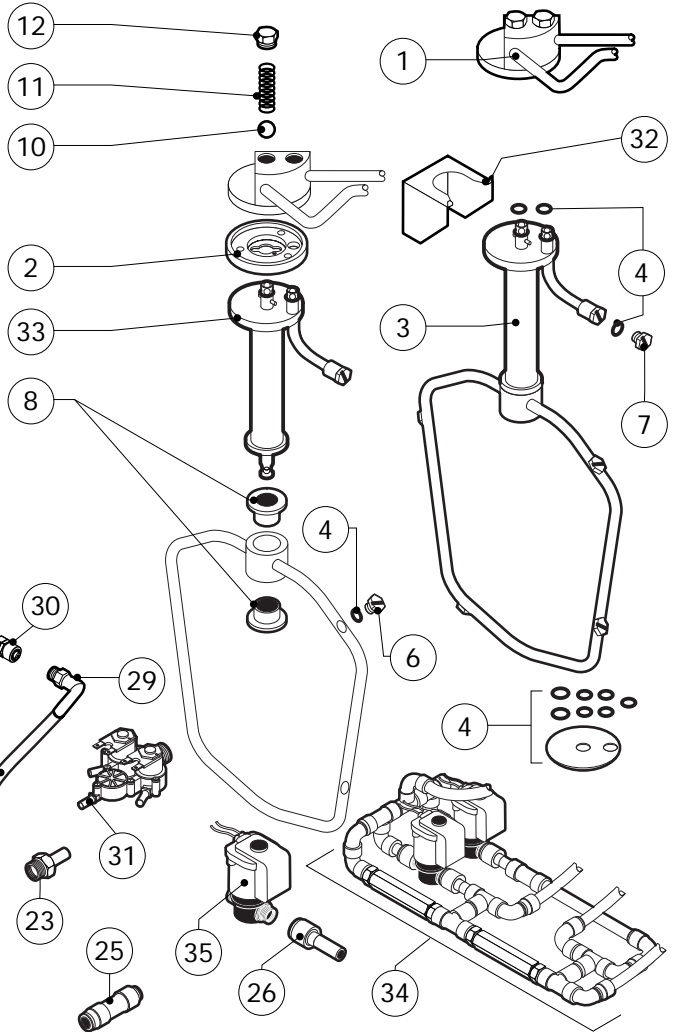
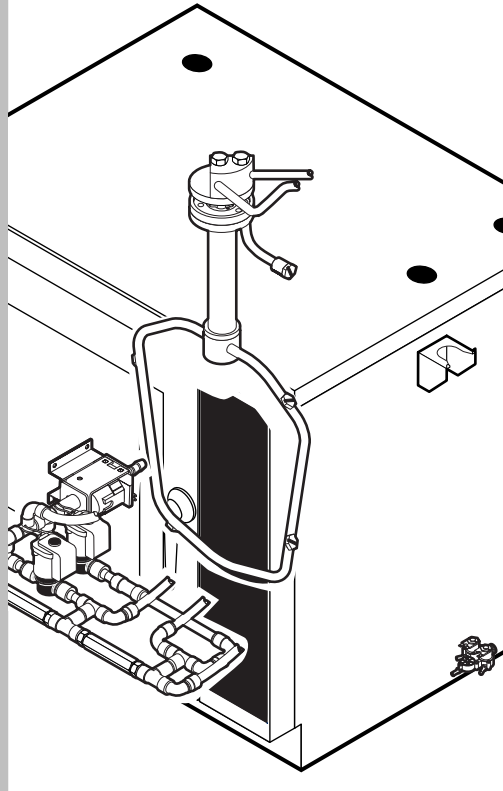
\*COMPONENT SUBMITTED TO CHANGEMENTS CAUSED BY TENSION DIFFERENT FROM THE STANDARD (AC 230V 50HZ)



POS.	CODE	PIECES	DESCRIPTION
1	R11224680	1	STEAM GENERATOR ASSEMBLY
2	R10100140	1	DAMPER SYSTEM CAP
3	R10201710	1	DRAIN FILTER
4	R58006130	2	STEAM QUENCHING NOZZLE Ø 1
5	R11224710	1	HEAT EXCHANGER ACCESSORIES INCLUDED
6	R11216021	1	COOKING CABINET BURNER
7	R66605821	1	FLAME IGNITION CABLE/FLAME SENSOR CABLE
8	R66605140	1	FLAME IGNITION CABLE
9	R63050130	3	IGNITOR
10	R63020170	1	GAS SOLENOID VALVE
11	R63120030	1	VENTURI TUBE
12	R65060360	1	GAS BURNER FAN MOTOR
13	R77700056	1 MT	AIR INLET FLEXIBLE PIPE
14	R63140070	2	BURNER/HEAT EXCHANGER GASKET
15	R63140010	2	BOILER/HEAT EXCHANGER GASKET
16	R63140050	2	BURNER/FAN MOTOR GASKET
17	R11430360	1	ORIFICE D.13
18	R62180082	1	GAS INLET FLEXIBLE PIPE
19	R63070010	1	GAS SAFETY PRESSURE SWITCH PG 901.61

POS.	CODE	PIECES	DESCRIPTION
20	*R65021050	3	STEAM GENERATOR HEATING ELEMENT 550W
21	R61630011	4	METAL CLAMPS 12-22/9
22	R61630031	4	METAL CLAMPS 40-60/9
23	R70060020	1	DAMPER SYSTEM CAP GASKET
24	R70060040	2	SILICON COUPLING Ø 50
25	R70060080	2	SILICON COUPLING Ø 13
26	R62090568	1	4 OUTLET DISTRIBUTOR
27	R62090633	4	ELBOW PIPE FITTING BRASS D.10
28	R62090478	5	ELBOW MIDDLING PIPE FITTING D.10
29	R62090458	5	STRAIGHT MIDDLING PIPE FITTING D.10
30	R62090468	1	"T" MIDDLING PIPE FITTING D.10
31	R62090508	1	10X1/4 STRAIGHT THREADED TERMINAL PIPE FITTING
32	R62030118	1	1/8"-1/4" FEMALE REDUCTION COUPLING
33	R63070050	1	WATER SAFETY PRESSURE SWITCH 1/8" 0,5-0,35 BAR
34	R70070050	1	PE D.10 MM X7 WATER FLEXIBLE PIPE (3 MT LONG)
35	R58004170	1	ORIFICE
36	R69180100	1	QUENCHING-DRAIN COLLECTOR





POS.	CODE	PIECES	DESCRIPTION
1	R11200871	1	WASHING SYSTEM EXTERNAL ASSEMBLY
2	R58004960	1	WASHING SYSTEM INNER FLANGE
3	R11100500	1	WASHING DEVICE ASSEMBLY
4	R70045090	1	GASKETS KIT
5	R65110600	1	DETRGENT PUMP
6	R62210032	4	1,3 L/MIN RINSING JET
7	R62210042	1	0,56 L/MIN DETERGENT JET
8	R58004980	2	WASHING DEVICE ROTATION BUSH
9	R65110650	1	BOTTOM FILTER
10	R62220012	2	SPHERA D.14
11	R61620041	2	SPRING
12	R58005000	2	1/2" MALE COVER
13	R65110640	2	ANTI-BACK FLOW
14	R70010050	4	OR GASKETS
15	R62090468	5	"T" MIDLING PIPE FITTING D.10
16	R62090508	1	10X1/4 STRAIGHT THREADED TERMINAL PIPE FITTING
17	R62090518	3	10X1/4 END SIDE PIPE FITTING (WITH TANG)
18	R62090528	10	ELBOW PIPE FITTING (WITH TANG) 10 X 10
19	R62090478	4	ELBOW MIDLING PIPE FITTING D.10

POS.	CODE	PIECES	DESCRIPTION
20	R62090538	1	1/4" FEMALE STRAIGHT PIPE FITTING FOR D.8X6 PIPE
21	R62090482	1	RAPID MALE PIPE FITTING
22	R62090492	1	RAPID FEMALE PIPE FITTING
23	R62090608	1	8X1/8 END SIDE PIPE FITTING (WITH TANG)
24	R62090458	1	STRAIGHT MIDLING PIPE FITTING D.10
25	R62090618	1	10-8 REDUCTION PIPE FITTING
26	R62090548	4	10-6 REDUCTION PIPE FITTING
27	R70070100	1	PE D.8 MM X 6 DETERGENT FLEXIBLE PIPE
28	R70070050	1	PE D.10 MM X7 WATER FLEXIBLE PIPE (3 MT LONG)
29	R62090648	1	ELBOW PIPE FITTING
30	R62090658	1	1/8" FEMALE STRAIGHT PIPE FITTING FOR D.8X6 PIPE
31	R65110240	1	SOLENOID VALVE 220V 50HZ WITH FLOW REDUCER
32	R11402000	1	WASHING DEVICE EXTERNAL HOLDER
33	R11100560	1	TUBE DEVICE SUPPORT WASHING
34	R62300028	1	ANTI-BACK FLOW DEVICE ASSEMBLY
35	R65110260	2	SOLENOID VALVE D.6 220V 50HZ