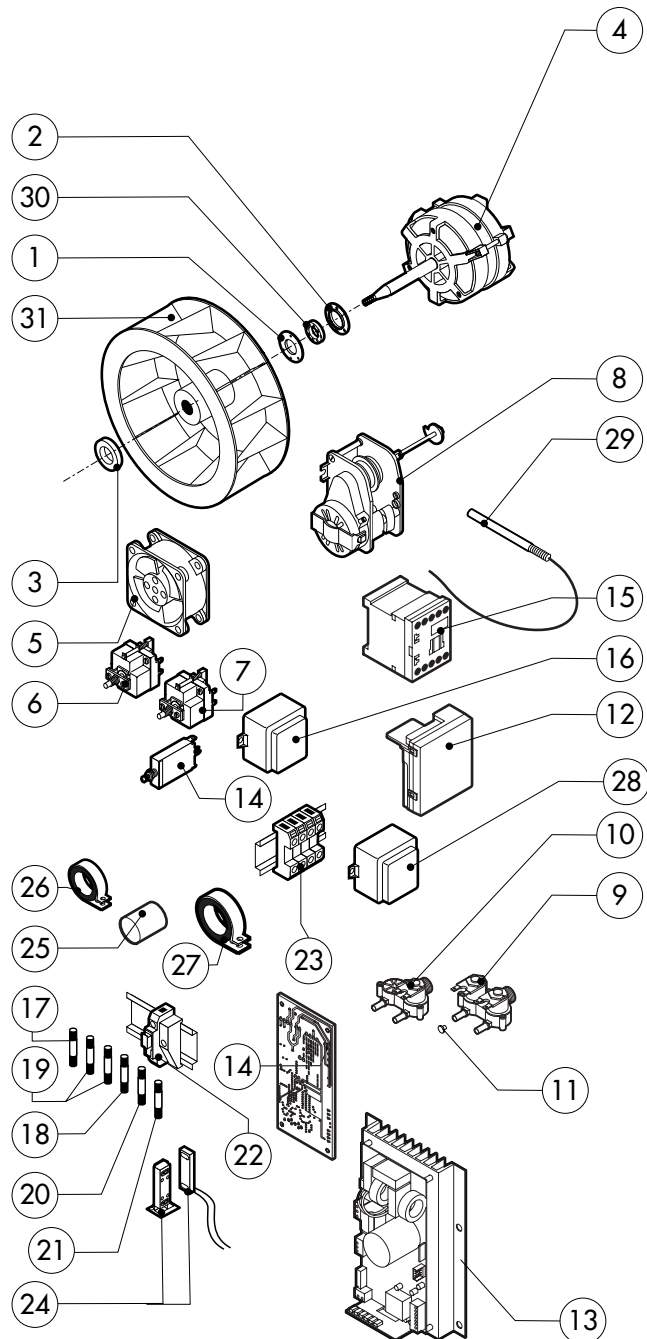
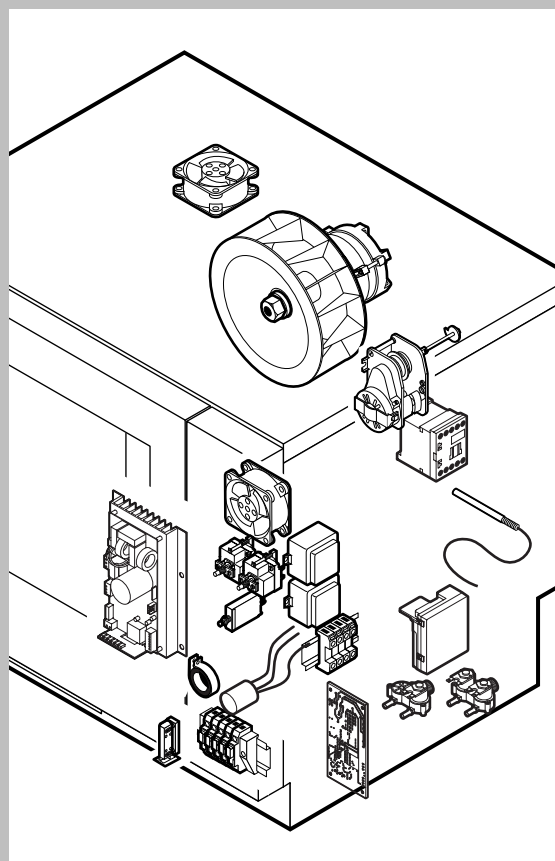


| POS. | CODE | PIECES | DESCRIPTION |
|------|-----------|--------|-----------------------------|
| 1 | R11101420 | 1 | DOOR |
| 2 | R11215400 | 1 | INNER DOOR PANEL |
| 3 | R69180160 | 1 | INNER DOOR PANEL DRIP TRAY |
| 4 | R69180000 | 1 | DOOR DRIP TRAY DRAINAGE |
| 5 | R11100130 | 1 | INNER DOOR GLASS |
| 6 | R58001760 | 2 | INNER GLASS SOLID HINGE |
| 7 | R58001770 | 2 | INNER GLASS HINGE PIN |
| 8 | R58001780 | 2 | INNER GLASS CATCH KIT |
| 9 | R11401340 | 1 | TOP "C" PROFILE |
| 10 | R11401360 | 1 | LOWER "C" PROFILE |
| 11 | R11207240 | 1 | LOWER DOOR HINGE |
| 12 | R58002670 | 1 | LOWER HINGE PIN |
| 13 | R11200560 | 1 | UPPER DOOR HINGE |
| 14 | R58002150 | 2 | HINGE PIN |
| 15 | R58004050 | 1 | NUT FOR UPPER DOOR HINGE |
| 16 | R10401710 | 1 | WASHER FOR UPPER DOOR HINGE |
| 17 | R70050100 | 6 | GLASS SILICON SPACERS |
| 18 | R70044150 | 1 | GLASS GASKET |
| 19 | R66110310 | 1 | DOOR LAMPS CABLE SET |

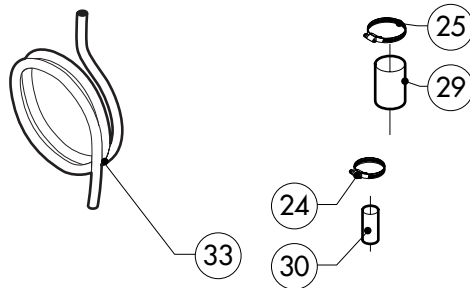
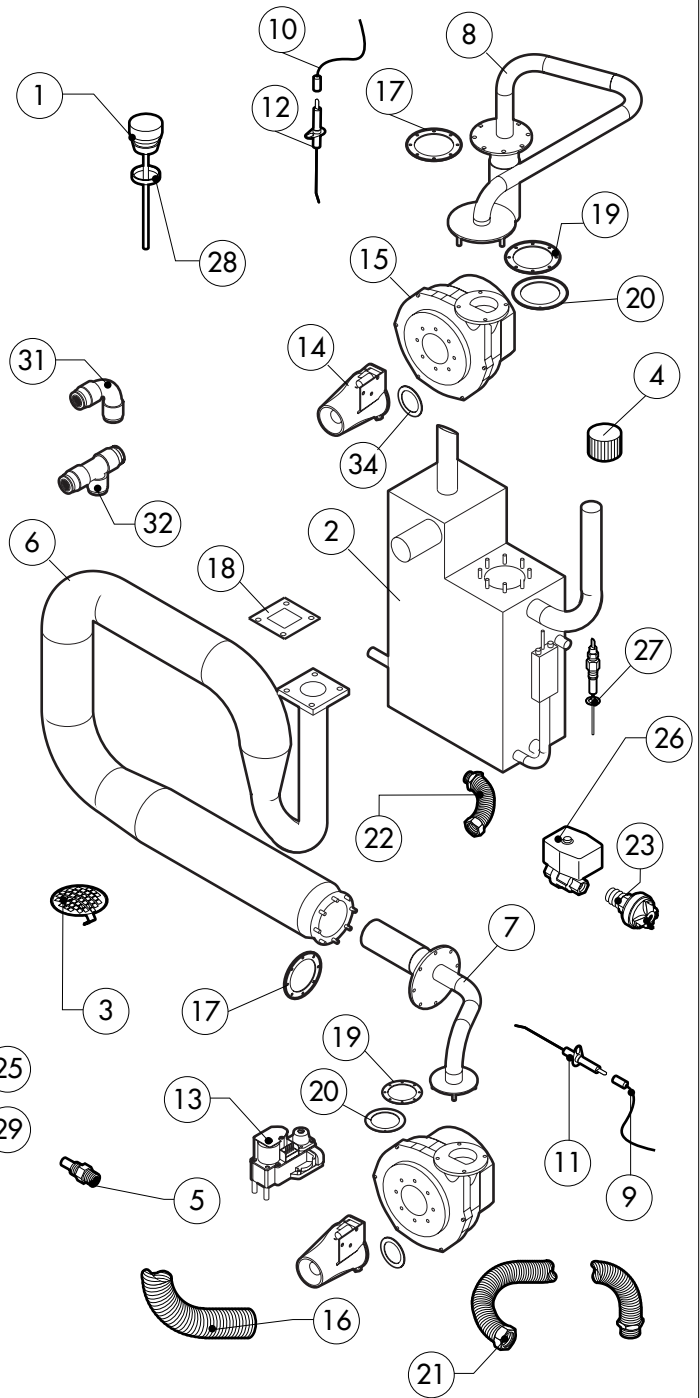
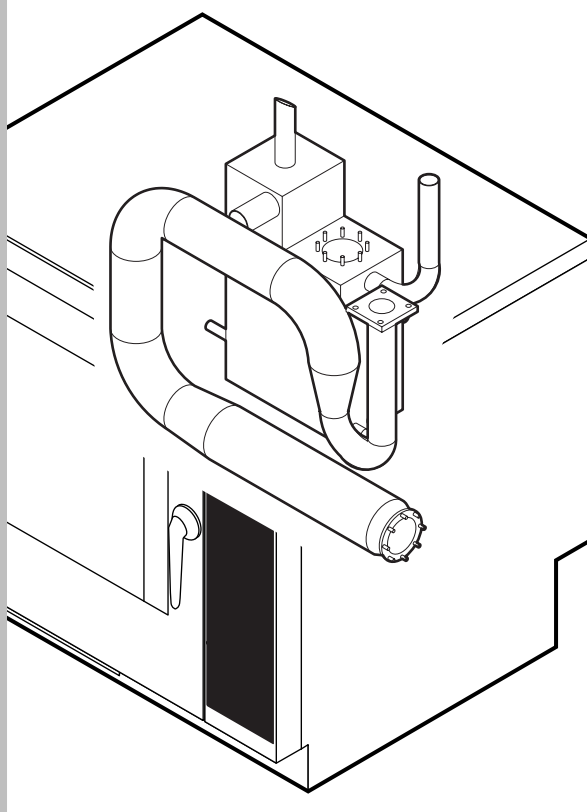
| POS. | CODE | PIECES | DESCRIPTION |
|------|-----------|--------|--------------------------------|
| 20 | R11401440 | 1 | LAMP COVER |
| 21 | R71500150 | 1 | GLASS LAMP |
| 22 | R70044200 | 1 | LAMP GASKET |
| 23 | R11401450 | 1 | GLASS HOLDER LAMP FLANGE |
| 24 | R65270020 | 1 | LIGHT 20W 12V G4 |
| 25 | R65270450 | 1 | LIGHT SOCKET |
| 26 | R65260750 | 1 | LAMPS CONTACT BLOCK |
| 27 | R66110300 | 1 | LAMPS CONTACT CABLE SET |
| 28 | R11100300 | 1 | DOOR HANDLE ASSEMBLY |
| 29 | R69010260 | 1 | DOOR LATCH 1 STEP |
| 30 | R69010270 | 1 | DOOR LATCH 2 STEP |
| 31 | R69010250 | 1 | DOOR CATCH KIT |
| 32 | R69010630 | 1 | INNER DOOR CATCH PLASTIC COVER |
| 33 | R61620132 | 1 | PRONG FLANGE |



| POS. | CODE | PIECES | DESCRIPTION |
|------|------------|--------|------------------------------------|
| 1 | R58003860 | 1 | MOTOR GASKET BRASS FLANGE |
| 2 | R58003870 | 1 | MOTOR GASKET BRASS COUNTER FLANGE |
| 3 | R61400052 | 1 | FAN WASHER Ø 21/10.5 |
| 4 | *R65040600 | 1 | MOTOR 025KW 220/240V KIT |
| 5 | R65060050 | 2 | COMPONENTS VENTILATION MOTOR Ø 120 |
| 6 | R65070350 | 1 | CHAMBER SAFETY THERMOSTAT |
| 7 | R65070081 | 1 | STEAM GENERATOR SAFETY THERMOSTAT |
| 8 | R65095000 | 1 | DAMPER SYSTEM |
| 9 | R65110210 | 1 | SOLENOID VALVE 220V 50HZ |
| 10 | R65110230 | 1 | SOLENOID VALVE 220V 50HZ |
| 11 | R65110500 | 1 | 10 LIT/H WATER FLOW REDUCER |
| 12 | R63060140 | 2 | BURNER IGNITION PANEL |
| 13 | R65140840 | 1 | INVERTER 0,4KW |
| 14 | R63130050 | 2 | GAS BURNER FAN MOTOR PCBOARD |
| 15 | *R65140380 | 1 | CONTACTOR 3RT1016-1AP02 240V |
| 16 | R65180420 | 2 | TRANSFORMER 20VA |
| 17 | R65200240 | 1 | FUSE 5A |
| 18 | R65200200 | 1 | FUSE 2A |
| 19 | R65200160 | 2 | FUSE 1A |

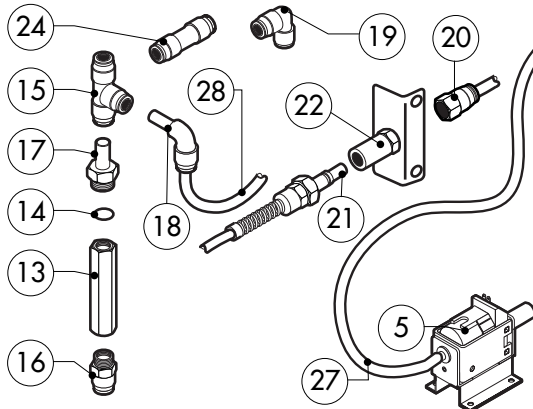
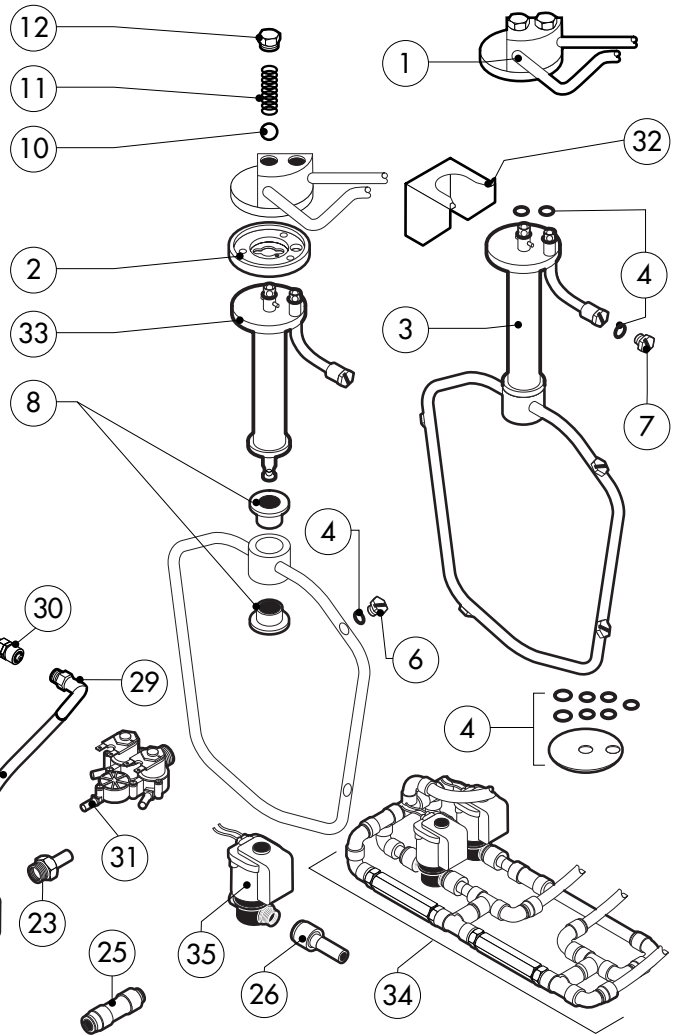
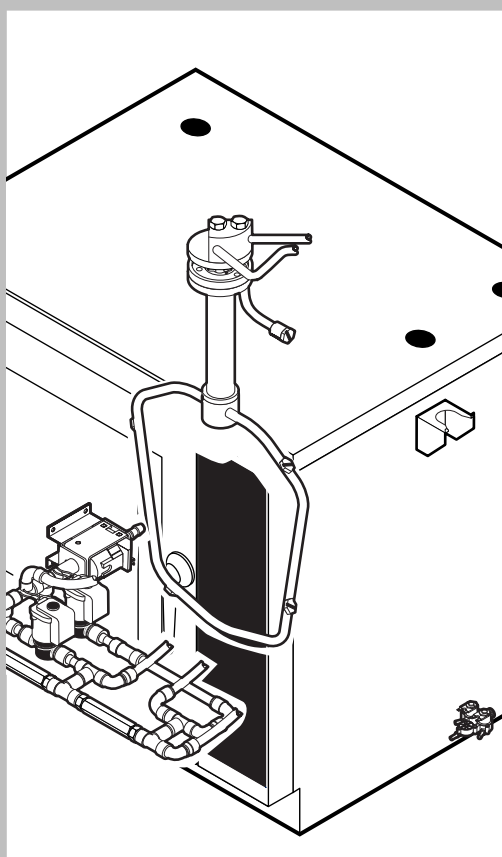
| POS. | CODE | PIECES | DESCRIPTION |
|------|------------|--------|-------------------------------|
| 20 | R65200320 | 1 | FUSE 0.200A (T) |
| 21 | R65200086 | 1 | FUSE 0.125A (T) |
| 22 | R65210020 | 6 | FUSE CARRIER |
| 23 | R65220280 | 1 | TERMINAL BOARD |
| 24 | R65265100 | 1 | DOOR SWITCH |
| 25 | *R65280230 | 1 | INTERFERENCE SUPPRESSOR |
| 26 | *R65280480 | 1 | FERRITE FT25 |
| 27 | *R65280490 | 1 | FERRITE FT35 |
| 28 | *R65450200 | 1 | INDUCTANCE |
| 29 | R65325000 | 3 | PROBE PT100 |
| 30 | R70020040 | 1 | MOTOR GASKET |
| 31 | *R75400400 | 1 | FAN Ø 220x78/12 50HZ P.D. KIT |

*COMPONENT SUBMITTED TO CHANGEMENTS CAUSED BY TENSION DIFFERENT FROM THE STANDARD (AC 230V 50HZ)



| POS. | CODE | PIECES | DESCRIPTION |
|------|-----------|--------|---|
| 1 | R10100140 | 1 | DAMPER SYSTEM CAP |
| 2 | R11216000 | 1 | STEAM GENERATOR ASSEMBLY |
| 3 | R10201700 | 1 | DRAIN FILTER |
| 4 | R69150110 | 1 | STEAM GENERATOR DESCALING CAP 1"1/4 F |
| 5 | R58006130 | 2 | STEAM QUENCHING NOZZLE Ø 1 |
| 6 | R11216050 | 1 | HEAT EXCHANGER ACCESSORIES INCLUDED |
| 7 | R11216021 | 1 | COOKING CABINET BURNER |
| 8 | R11216011 | 1 | STEAM GENERATOR BURNER |
| 9 | R66605820 | 1 | FLAME IGNITION CABLE/FLAME SENSOR CABLE |
| 10 | R66605800 | 1 | FLAME IGNITION CABLE/FLAME SENSOR CABLE |
| 11 | R63050100 | 2 | IGNITOR |
| 12 | R63050130 | 4 | IGNITOR |
| 13 | R63020170 | 2 | GAS SOLENOID VALVE |
| 14 | R63120020 | 2 | VENTURI TUBE |
| 15 | R65060360 | 2 | GAS BURNER FAN MOTOR |
| 16 | R77700056 | 2 MT | AIR INLET FLEXIBLE PIPE |
| 17 | R63140070 | 3 | BURNER/HEAT EXCHANGER GASKET |
| 18 | R63140010 | 2 | BOILER/HEAT EXCHANGER GASKET |
| 19 | R63140050 | 4 | BURNER/FAN MOTOR GASKET |

| POS. | CODE | PIECES | DESCRIPTION |
|------|-----------|--------|---|
| 20 | R11430360 | 2 | ORIFICE D.13 |
| 21 | R62180082 | 2 | GAS INLET FLEXIBLE PIPE |
| 22 | R62180022 | 1 | FLEXIBLE PIPE FOR BOILER DISCALING |
| 23 | R63070010 | 1 | GAS SAFETY PRESSURE SWITCH PG 901.61 |
| 24 | R61630011 | 2 | METAL CLAMPS 12-22/9 |
| 25 | R61630031 | 4 | METAL CLAMPS 40-60/9 |
| 26 | R65110560 | 1 | STEAM GENERATOR DRAIN MOTORIZED VALVE |
| 27 | R65320010 | 2 | STEAM GENERATOR LEVEL PROBE |
| 28 | R70060020 | 1 | DAMPER SYSTEM CAP GASKET |
| 29 | R70060040 | 2 | SILICON COUPLING Ø 50 |
| 30 | R70060080 | 1 | SILICON COUPLING Ø 13 |
| 31 | R62090478 | 5 | ELBOW MIDLING PIPE FITTING D.10 |
| 32 | R62090468 | 1 | "T" MIDLING PIPE FITTING D.10 |
| 33 | R70070050 | 1 | PE D.10 MM X7 WATER FLEXIBLE PIPE (3 MT LONG) |
| 34 | R58004170 | 2 | ORIFICE |



| POS. | CODE | PIECES | DESCRIPTION |
|------|-----------|--------|--|
| 1 | R11200871 | 1 | WASHING SYSTEM EXTERNAL ASSEMBLY |
| 2 | R58004960 | 1 | WASHING SYSTEM INNER FLANGE |
| 3 | R11100500 | 1 | WASHING DEVICE ASSEMBLY |
| 4 | R70045090 | 1 | GASKETS KIT |
| 5 | R65110600 | 1 | DETRGENT PUMP |
| 6 | R62210032 | 4 | 1,3 L/MIN RINSING JET |
| 7 | R62210042 | 1 | 0,56 L/MIN DETERGENT JET |
| 8 | R58004980 | 2 | WASHING DEVICE ROTATION BUSH |
| 9 | R65110650 | 1 | BOTTOM FILTER |
| 10 | R62220012 | 2 | SPHERA D.14 |
| 11 | R61620041 | 2 | SPRING |
| 12 | R58005000 | 2 | 1/2" MALE COVER |
| 13 | R65110640 | 2 | ANTI-BACK FLOW |
| 14 | R70010050 | 4 | OR GASKETS |
| 15 | R62090468 | 5 | "T" MIDDLING PIPE FITTING D.10 |
| 16 | R62090508 | 1 | 10X1/4 STRAIGHT THREADED TERMINAL PIPE FITTING |
| 17 | R62090518 | 3 | 10X1/4 END SIDE PIPE FITTING (WITH TANG) |
| 18 | R62090528 | 10 | ELBOW PIPE FITTING (WITH TANG) 10 X 10 |
| 19 | R62090478 | 4 | ELBOW MIDDLING PIPE FITTING D.10 |

| POS. | CODE | PIECES | DESCRIPTION |
|------|-----------|--------|--|
| 20 | R62090538 | 1 | 1/4" FEMALE STRAIGHT PIPE FITTING FOR D.8X6 PIPE |
| 21 | R62090482 | 1 | RAPID MALE PIPE FITTING |
| 22 | R62090492 | 1 | RAPID FEMALE PIPE FITTING |
| 23 | R62090608 | 1 | 8X1/8 END SIDE PIPE FITTING (WITH TANG) |
| 24 | R62090458 | 1 | STRAIGHT MIDDLING PIPE FITTING D.10 |
| 25 | R62090618 | 1 | 10-8 REDUCTION PIPE FITTING |
| 26 | R62090548 | 4 | 10-6 REDUCTION PIPE FITTING |
| 27 | R70070100 | 1 | PE D.8 MM X 6 DETERGENT FLEXIBLE PIPE |
| 28 | R70070050 | 1 | PE D.10 MM X7 WATER FLEXIBLE PIPE (3 MT LONG) |
| 29 | R62090648 | 1 | ELBOW PIPE FITTING |
| 30 | R62090658 | 1 | 1/8" FEMALE STRAIGHT PIPE FITTING FOR D.8X6 PIPE |
| 31 | R65110240 | 1 | SOLENOID VALVE 220V 50HZ WITH FLOW REDUCER |
| 32 | R11402000 | 1 | WASHING DEVICE EXTERNAL HOLDER |
| 33 | R11100560 | 1 | TUBE DEVICE SUPPORT WASHING |
| 34 | R62300028 | 1 | ANTI-BACK FLOW DEVICE ASSEMBLY |
| 35 | R65110260 | 2 | SOLENOID VALVE D.6 220V 50HZ |