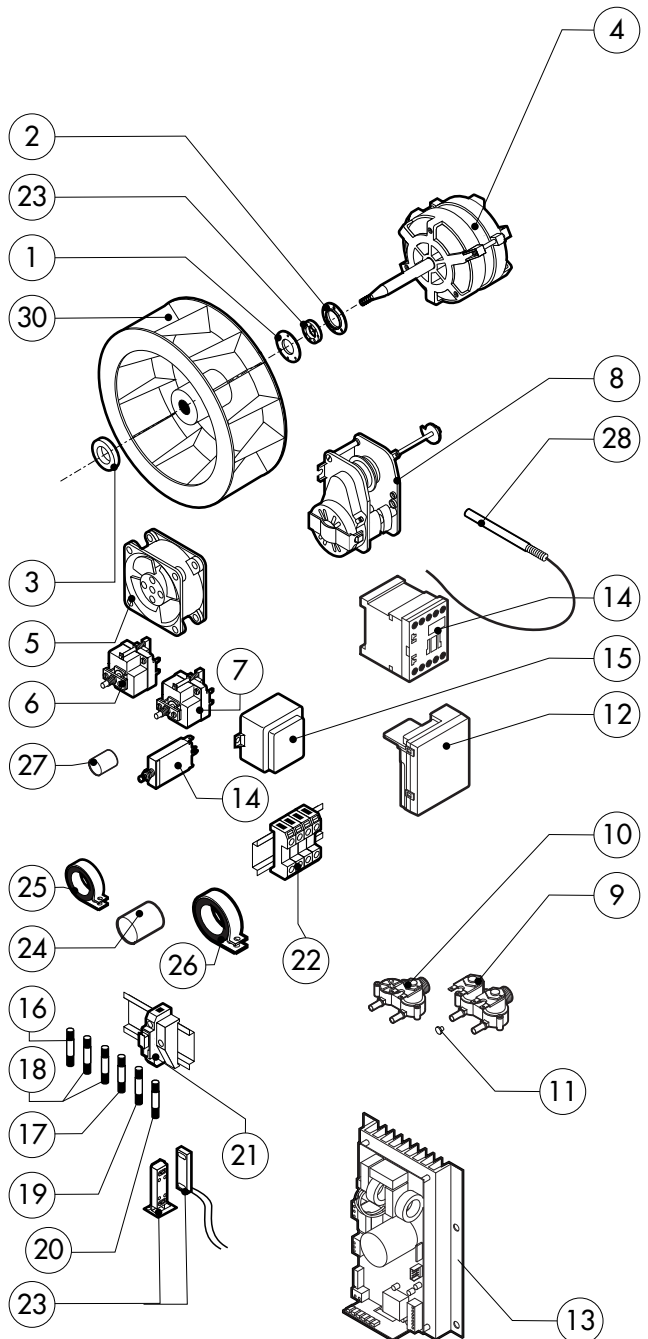
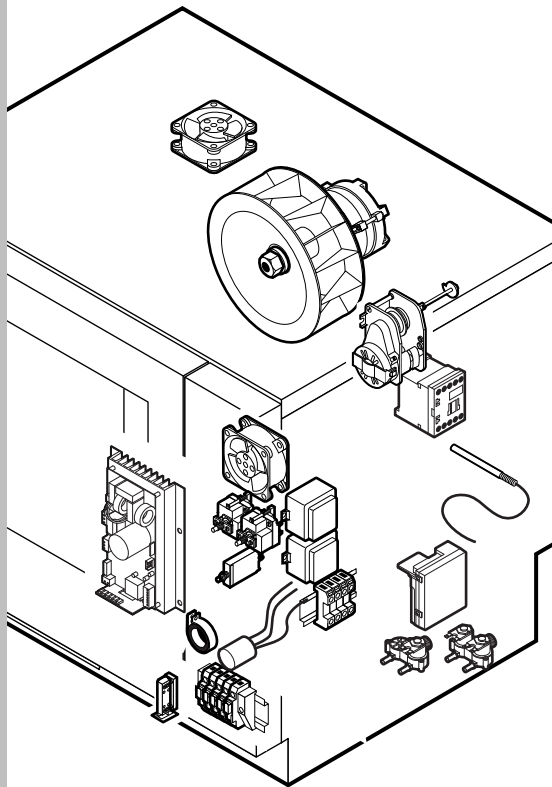


POS.	CODE	PIECES	DESCRIPTION
1	R11101420	1	DOOR
2	R11215400	1	INNER DOOR PANEL
3	R69180160	1	INNER DOOR PANEL DRIP TRAY
4	R69180000	1	DOOR DRIP TRAY DRAINAGE
5	R11100130	1	INNER DOOR GLASS
6	R58001760	2	INNER GLASS SOLID HINGE
7	R58001770	2	INNER GLASS HINGE PIN
8	R58001780	2	INNER GLASS CATCH KIT
9	R11401340	1	TOP "C" PROFILE
10	R11401360	1	LOWER "C" PROFILE
11	R11207240	1	LOWER DOOR HINGE
12	R58002670	1	LOWER HINGE PIN
13	R11200560	1	UPPER DOOR HINGE
14	R58002150	2	HINGE PIN
15	R58004050	1	NUT FOR UPPER DOOR HINGE
16	R10401710	1	WASHER FOR UPPER DOOR HINGE
17	R70050100	6	GLASS SILICON SPACERS
18	R70044150	1	GLASS GASKET
19	R66110310	1	DOOR LAMPS CABLE SET

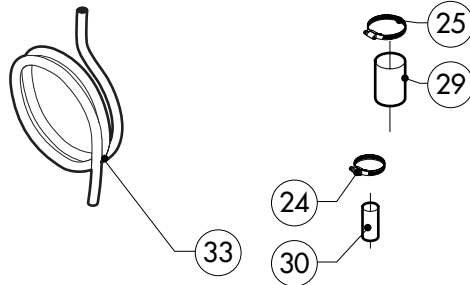
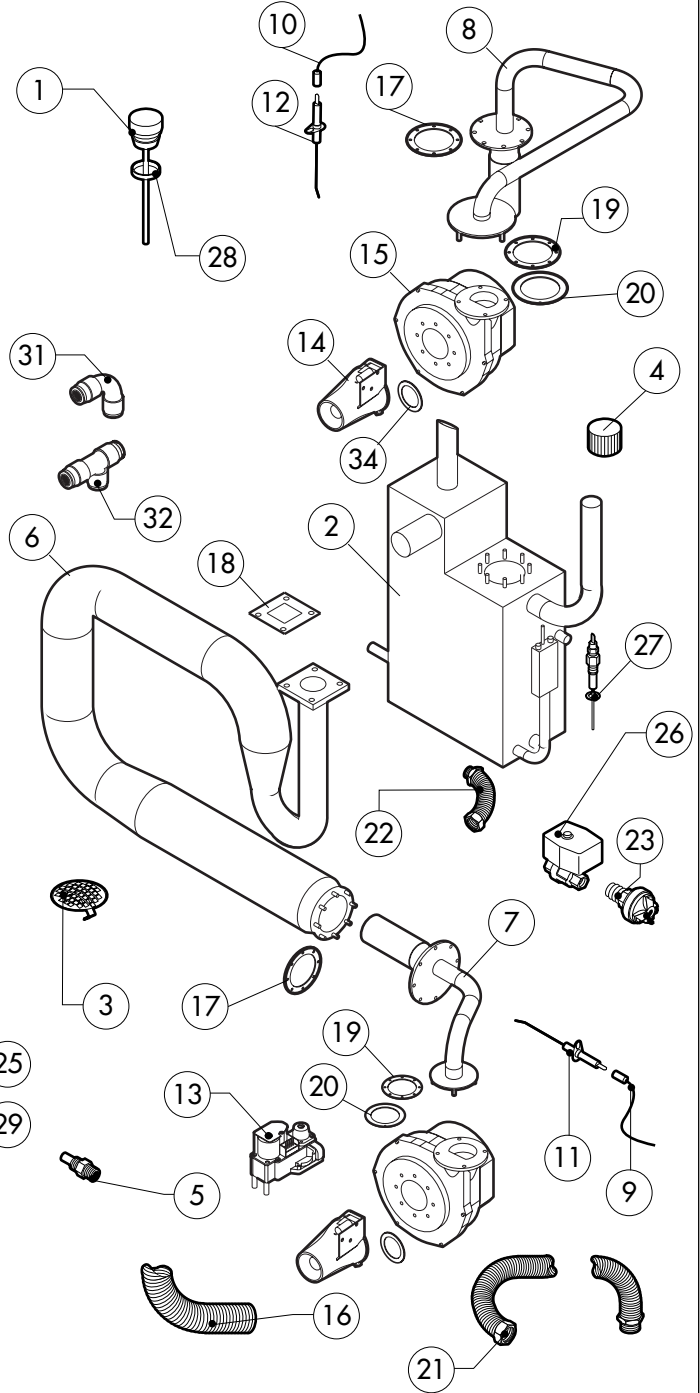
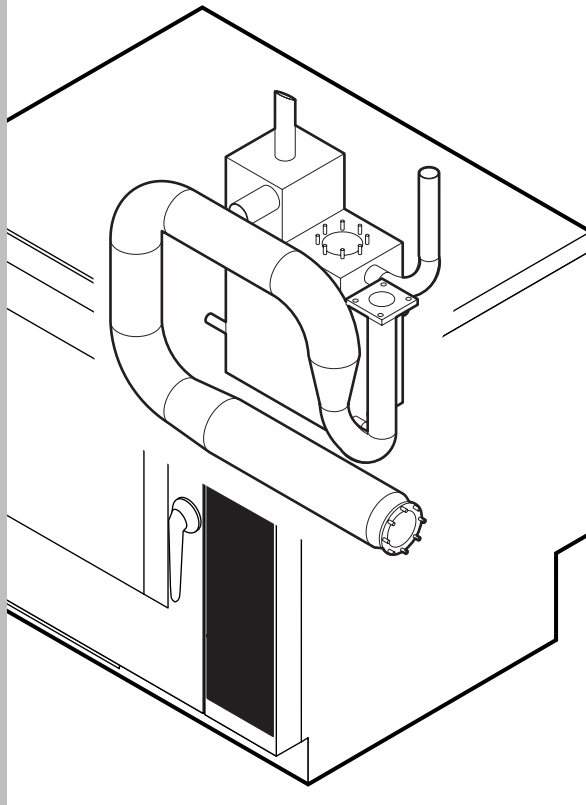
POS.	CODE	PIECES	DESCRIPTION
20	R11401440	1	LAMP COVER
21	R71500150	1	GLASS LAMP
22	R70044200	1	LAMP GASKET
23	R11401450	1	GLASS HOLDER LAMP FLANGE
24	R65270020	1	LIGHT 20W 12V G4
25	R65270450	1	LIGHT SOCKET
26	R65260750	1	LAMPS CONTACT BLOCK
27	R66110300	1	LAMPS CONTACT CABLE SET
28	R11100300	1	DOOR HANDLE ASSEMBLY
29	R69010260	1	DOOR LATCH 1 STEP
30	R69010270	1	DOOR LATCH 2 STEP
31	R69010250	1	DOOR CATCH KIT
32	R69010630	1	INNER DOOR CATCH PLASTIC COVER
33	R61620132	1	PRONG FLANGE



POS.	CODE	PIECES	DESCRIPTION
1	R58003860	1	MOTOR GASKET BRASS FLANGE
2	R58003870	1	MOTOR GASKET BRASS COUNTER FLANGE
3	R6140052	1	FAN WASHER Ø 21/10.5
4	*R65040600	1	MOTOR 025KW 220/240V KIT
5	R65060050	2	COMPONENTS VENTILATION MOTOR Ø 120
6	R65070350	1	CHAMBER SAFETY THERMOSTAT
7	R65070081	1	STEAM GENERATOR SAFETY THERMOSTAT
8	R65095000	1	DAMPER SYSTEM
9	R65110210	1	SOLENOID VALVE 220V 50HZ
10	R65110230	1	SOLENOID VALVE 220V 50HZ
11	R65110500	1	10 LT/H WATER FLOW REDUCER
12	R63060120	1	BURNER IGNITION PANEL
13	R65140840	1	INVERTER 0,4KW
14	*R65140380	1	CONTACTOR 3RT1016-1AP02 240V
15	R65180420	3	TRANSFORMER 20VA
16	R65200240	1	FUSE 5A
17	R65200200	1	FUSE 2A
18	R65200160	2	FUSE 1A
19	R65200320	1	FUSE 0.200A (T)

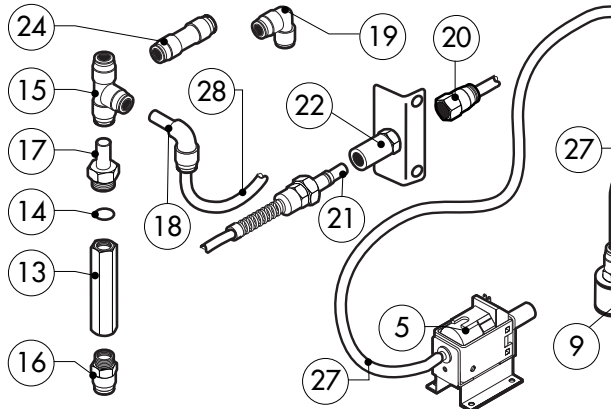
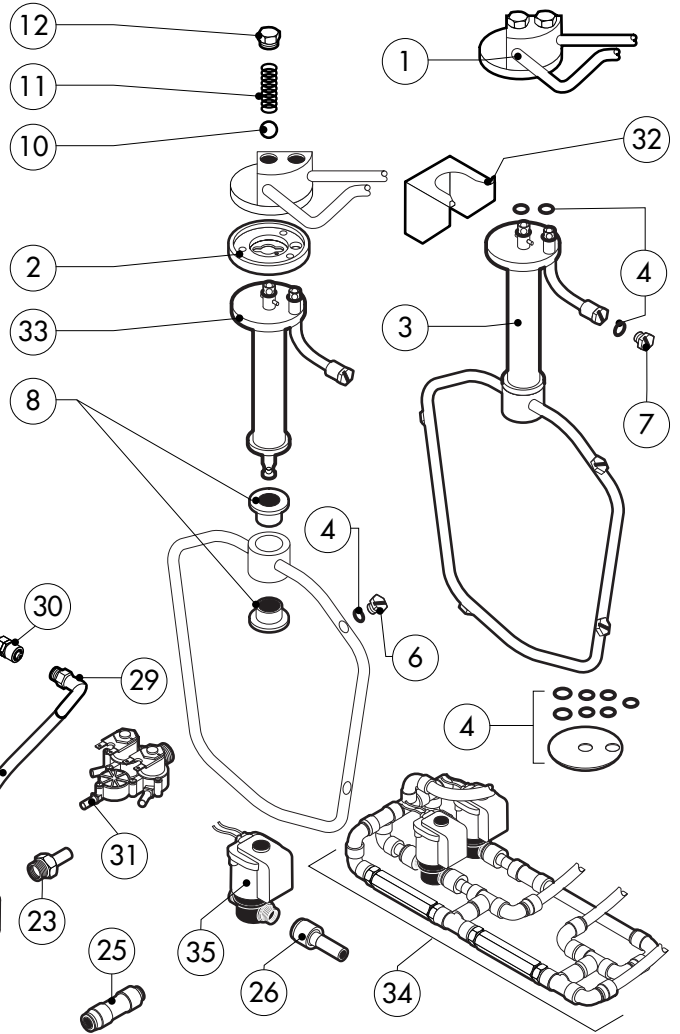
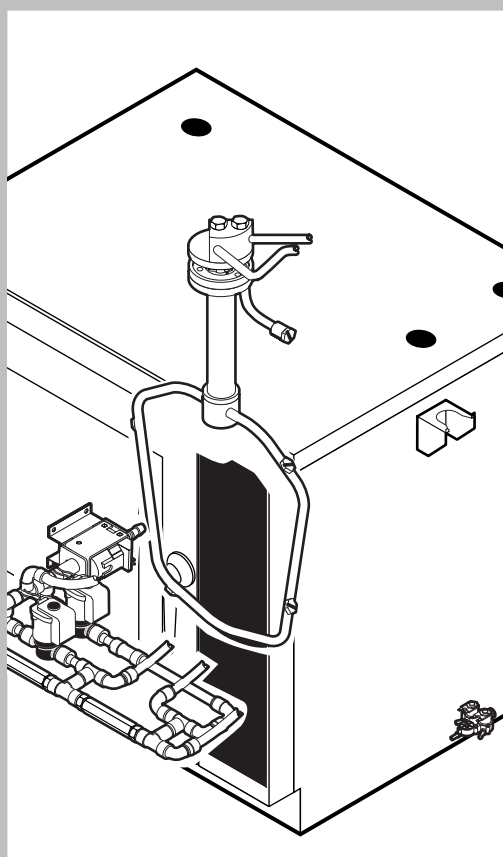
POS.	CODE	PIECES	DESCRIPTION
20	R65200086	2	FUSE 0.125A (T)
21	R65210020	7	FUSE CARRIER
22	R65220280	1	TERMINAL BOARD
23	R65265100	1	DOOR SWITCH
24	*R65280230	1	INTERFERENCE SUPPRESSOR
25	*R65280480	1	FERRITE FT25
26	*R65280490	1	FERRITE FT35
27	*R65450200	1	INDUCTANCE
28	R65320220	3	PROBE K
29	R70020040	1	MOTOR GASKET
30	*R75400400	1	FAN Ø 220x78/12 50HZ P.D. KIT

*COMPONENT SUBMITTED TO CHANGEMENTS CAUSED BY TENSION DIFFERENT FROM THE STANDARD (AC 230V 50HZ)



POS.	CODE	PIECES	DESCRIPTION
1	R10100140	1	DAMPER SYSTEM CAP
2	R11216000	1	STEAM GENERATOR ASSEMBLY
3	R10201700	1	DRAIN FILTER
4	R69150110	1	STEAM GENERATOR DESCALING CAP 1"1/4 F
5	R58006130	2	STEAM QUENCHING NOZZLE Ø 1
6	R11216050	1	HEAT EXCHANGER ACCESSORIES INCLUDED
7	R11216021	1	COOKING CABINET BURNER
8	R11216011	1	STEAM GENERATOR BURNER
9	R66605820	1	FLAME IGNITION CABLE/FLAME SENSOR CABLE
10	R66605800	1	FLAME IGNITION CABLE/FLAME SENSOR CABLE
11	R63050100	2	IGNITOR
12	R63050130	4	IGNITOR
13	R63020170	2	GAS SOLENOID VALVE
14	R63120020	2	VENTURI TUBE
15	R65060360	2	GAS BURNER FAN MOTOR
16	R77700056	2 MT	AIR INLET FLEXIBLE PIPE
17	R63140070	3	BURNER/HEAT EXCHANGER GASKET
18	R63140010	2	BOILER/HEAT EXCHANGER GASKET
19	R63140050	4	BURNER/FAN MOTOR GASKET

POS.	CODE	PIECES	DESCRIPTION
20	R11430360	2	ORIFICE D.13
21	R62180082	2	GAS INLET FLEXIBLE PIPE
22	R62180022	1	FLEXIBLE PIPE FOR BOILER DESCALING
23	R63070010	1	GAS SAFETY PRESSURE SWITCH PG 901.61
24	R61630011	2	METAL CLAMPS 12-22/9
25	R61630031	4	METAL CLAMPS 40-60/9
26	R65110560	1	STEAM GENERATOR DRAIN MOTORIZED VALVE
27	R65320010	2	STEAM GENERATOR LEVEL PROBE
28	R70060020	1	DAMPER SYSTEM CAP GASKET
29	R70060040	2	SILICON COUPLING Ø 50
30	R70060080	1	SILICON COUPLING Ø 13
31	R62090478	5	ELBOW MIDLING PIPE FITTING D.10
32	R62090468	1	"T" MIDLING PIPE FITTING D.10
33	R70070050	1	PE D.10 MM X7 WATER FLEXIBLE PIPE (3 MT LONG)
34	R58004170	2	ORIFICE



POS.	CODE	PIECES	DESCRIPTION
1	R11200871	1	WASHING SYSTEM EXTERNAL ASSEMBLY
2	R58004960	1	WASHING SYSTEM INNER FLANGE
3	R11100500	1	WASHING DEVICE ASSEMBLY
4	R70045090	1	GASKETS KIT
5	R65110600	1	DETRGENT PUMP
6	R62210032	4	1,3 L/MIN RINSING JET
7	R62210042	1	0,56 L/MIN DETERGENT JET
8	R58004980	2	WASHING DEVICE ROTATION BUSH
9	R65110650	1	BOTTOM FILTER
10	R62220012	2	SPHERA D.14
11	R61620041	2	SPRING
12	R58005000	2	1/2" MALE COVER
13	R65110640	2	ANTI-BACK FLOW
14	R70010050	4	OR GASKETS
15	R62090468	5	"T" MIDDLING PIPE FITTING D.10
16	R62090508	1	10X1/4 STRAIGHT THREADED TERMINAL PIPE FITTING
17	R62090518	3	10X1/4 END SIDE PIPE FITTING (WITH TANG)
18	R62090528	10	ELBOW PIPE FITTING (WITH TANG) 10 X 10
19	R62090478	4	ELBOW MIDDLING PIPE FITTING D.10

POS.	CODE	PIECES	DESCRIPTION
20	R62090538	1	1/4" FEMALE STRAIGHT PIPE FITTING FOR D.8X6 PIPE
21	R62090482	1	RAPID MALE PIPE FITTING
22	R62090492	1	RAPID FEMALE PIPE FITTING
23	R62090608	1	8X1/8 END SIDE PIPE FITTING (WITH TANG)
24	R62090458	1	STRAIGHT MIDDLING PIPE FITTING D.10
25	R62090618	1	10-8 REDUCTION PIPE FITTING
26	R62090548	4	10-6 REDUCTION PIPE FITTING
27	R70070100	1	PE D.8 MM X 6 DETERGENT FLEXIBLE PIPE
28	R70070050	1	PE D.10 MM X7 WATER FLEXIBLE PIPE (3 MT LONG)
29	R62090648	1	ELBOW PIPE FITTING
30	R62090658	1	1/8" FEMALE STRAIGHT PIPE FITTING FOR D.8X6 PIPE
31	R65110240	1	SOLENOID VALVE 220V 50HZ WITH FLOW REDUCER
32	R11402000	1	WASHING DEVICE EXTERNAL HOLDER
33	R11100560	1	TUBE DEVICE SUPPORT WASHING
34	R62300028	1	ANTI-BACK FLOW DEVICE ASSEMBLY
35	R65110260	2	SOLENOID VALVE D.6 220V 50HZ