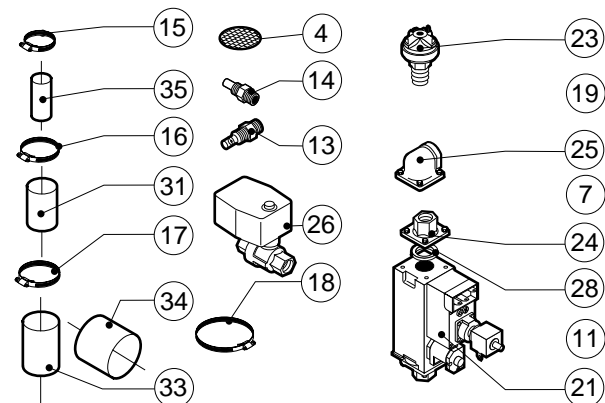
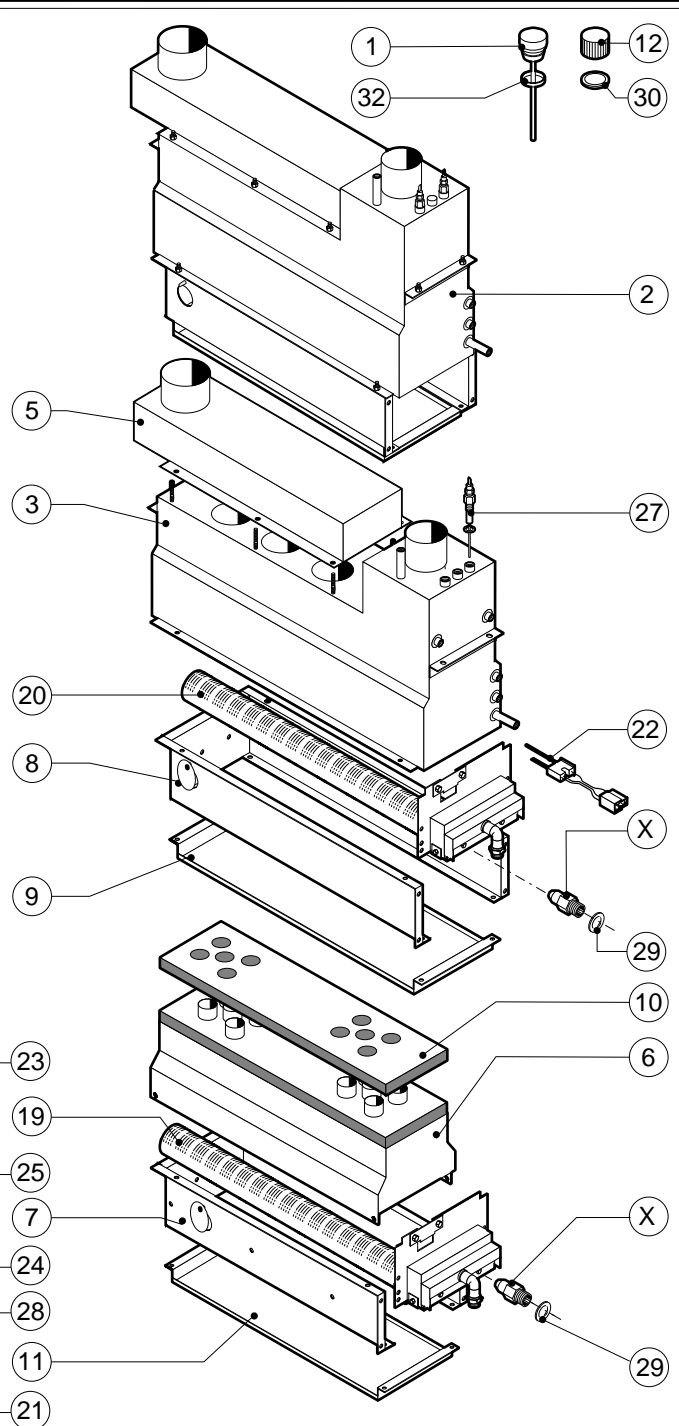
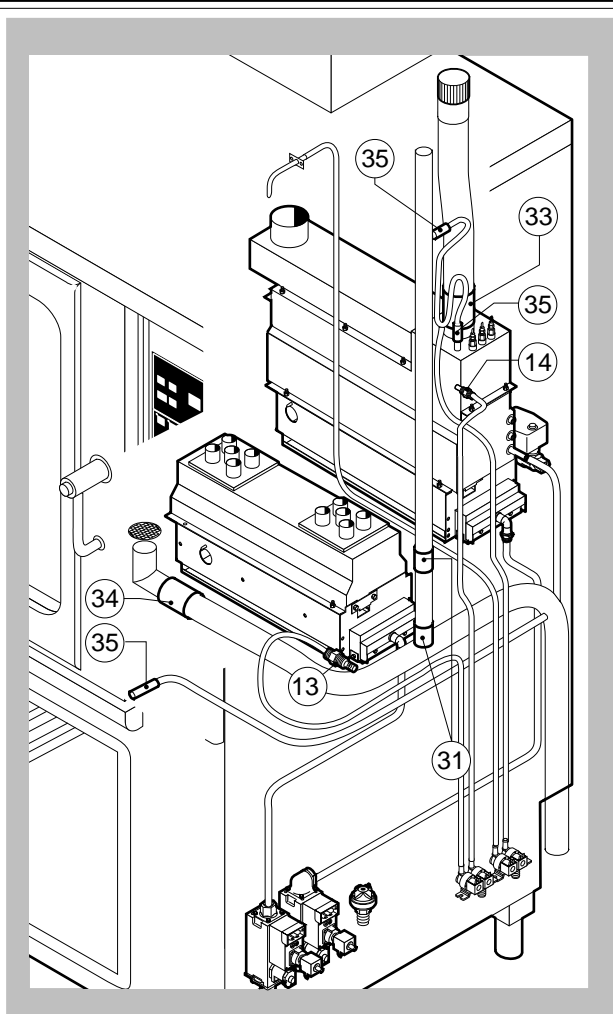


POS.	CODE	PIECES	DESCRIPTION
1	R09200230	1	DOOR HANDLE
2	R10100110	1	PRONG FLANGE
3	R10201190	1	LOWER DOOR HINGE
4	R10201290	1	UPPER DOOR HINGE
5	R10207610	1	DOOR
6	R10208290	1	FRONT LOWER DOOR PANEL CATCH
7	R10208300	1	FRONT UPPER DOOR PANEL CATCH
8	R10208320	1	FRONT DOOR PANEL
9	R10401710	1	WASHER FOR UPPER DOOR HINGE
10	R10405470	1	INNER DOOR PANEL
11	R10456040	1	LOWER HINGE FOR FRONT DOOR PANEL
12	R10456050	1	UPPER HINGE FOR FRONT DOOR PANEL
13	R58002150	1	HINGE PIN
14	R58002160	1	DOOR HANDLE PRONG PIN
15	R58002760	1	DOOR HANDLE PRONG COUPLER
16	R58003240	1	DOOR HANDLE BUTTON ROD
17	R58004050	1	NUT FOR UPPER DOOR HINGE
18	R58004270	1	DOOR HANDLE SPACER
19	R58004830	1	RING NUT M18x1

POS.	CODE	PIECES	DESCRIPTION
20	R58005050	1	DOOR HANDLE PRONG
21	R58005340	1	DOOR HANDLE LOWER INSULATION WASHER
22	R58005350	1	DOOR HANDLE UPPER INSULATION WASHER
23	R61620012	1	DOOR HANDLE CATCH SPRING
24	R61620041	1	DOOR HANDLE BUTTON SPRING
25	R69015000	1	DOOR HANDLE ASSEMBLY
26	R69031190	1	DOOR HANDLE PUSH BUTTON
27	R70040200	2	GLASS GASKET
28	R70042020	1	DOOR GASKET
29	R71030120	1	DOOR GLASS



POS.	CODE	PIECES	DESCRIPTION
1	R10100140	1	DAMPER SYSTEM CAP
2	R10101990	1	STEAM GENERATOR ASSEMBLY
3	R10200980	1	STEAM GENERATOR
4	R10201700	1	DRAIN FILTER
5	R10202100	1	STEAM GENERATOR GAS FLUE PIPE
6	R10202410	1	COMBUSTION CABINET
7	R10202510	1	CABINET BURNERS SUPPORT
8	R10202590	1	STEAM GENERATOR SUPPORT
9	R10403800	1	STEAM GENERATOR BURNERS PROTECTION PLATE
10	R10406250	1	COMBUSTION CABINET INSULATION PLATE
11	R10406980	1	CHAMBER BURNERS PROTECTION PLATE
12	R58005680	1	STEAM GENERATOR DESCALING CAP 1"1/4 F
13	R58006100	1	STEAM QUENCHING NOZZLE Ø 1.5
14	R58006110	1	STEAM GENERATOR FLUSHING NOZZLE
15	R61630011	14	METAL CLAMPS 12-22/9
16	R61630021	2	METAL CLAMPS 30-45/9
17	R61630031	4	METAL CLAMPS 40-60/9
18	R61630041	2	METAL CLAMPS 70-90/9
19	R63016070	1	CHAMBER BURNER ASSEMBLY

POS.	CODE	PIECES	DESCRIPTION
20	R63016080	1	STEAM GENERATOR BURNER ASSEMBLY
21	R63020010	2	GAS SOLENOID VALVE VR4605
22	R63050040	2	IGNITOR/SENSOR WR 768G213
23	R63070010	1	GAS SAFETY PRESSURE SWITCH PG 901.61
24	R63080010	3	STRAIGHT FLANGE 1/2"
25	R63080020	1	CURVED FLANGE 1/2"
26	R65110540	1	STEAM GENERATOR DRAIN MOTORIZED VALVE
27	R65320010	2	STEAM GENERATOR LEVEL PROBE
28	R70010070	4	RING
29	R70030090	4	NOZZLE GASKET
30	R70050040	1	STEAM GENERATOR CAP GASKET
31	R70060010	2	SILICON COUPLING Ø 30
32	R70060020	1	DAMPER SYSTEM CAP GASKET
33	R70060030	1	SILICON COUPLING Ø 40
34	R70060040	1	SILICON COUPLING Ø 50
35	R70060060	3	SILICON COUPLING Ø 15
X		2	NOZZLE (See service manual)
X		2	NOZZLE (See service manual)

