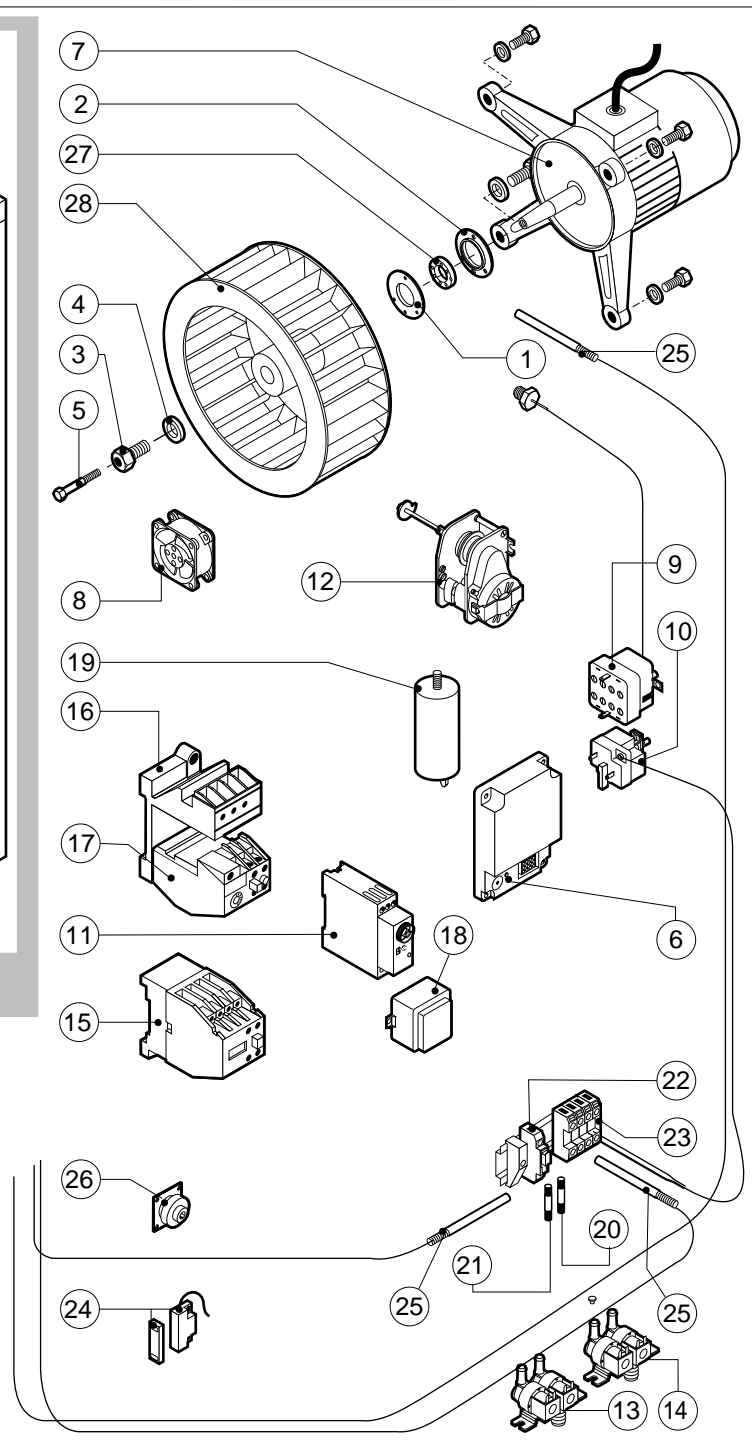
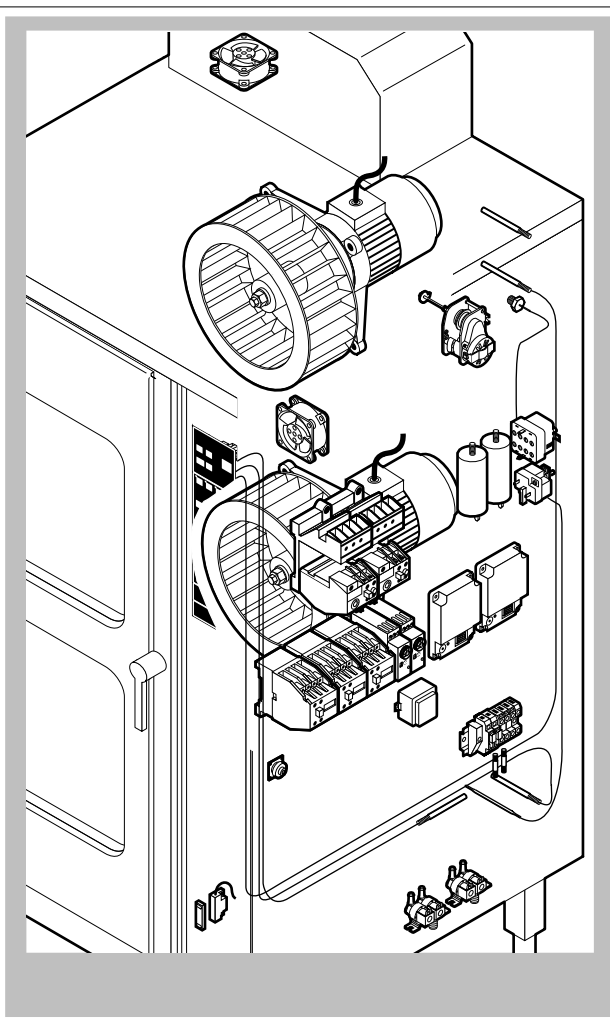


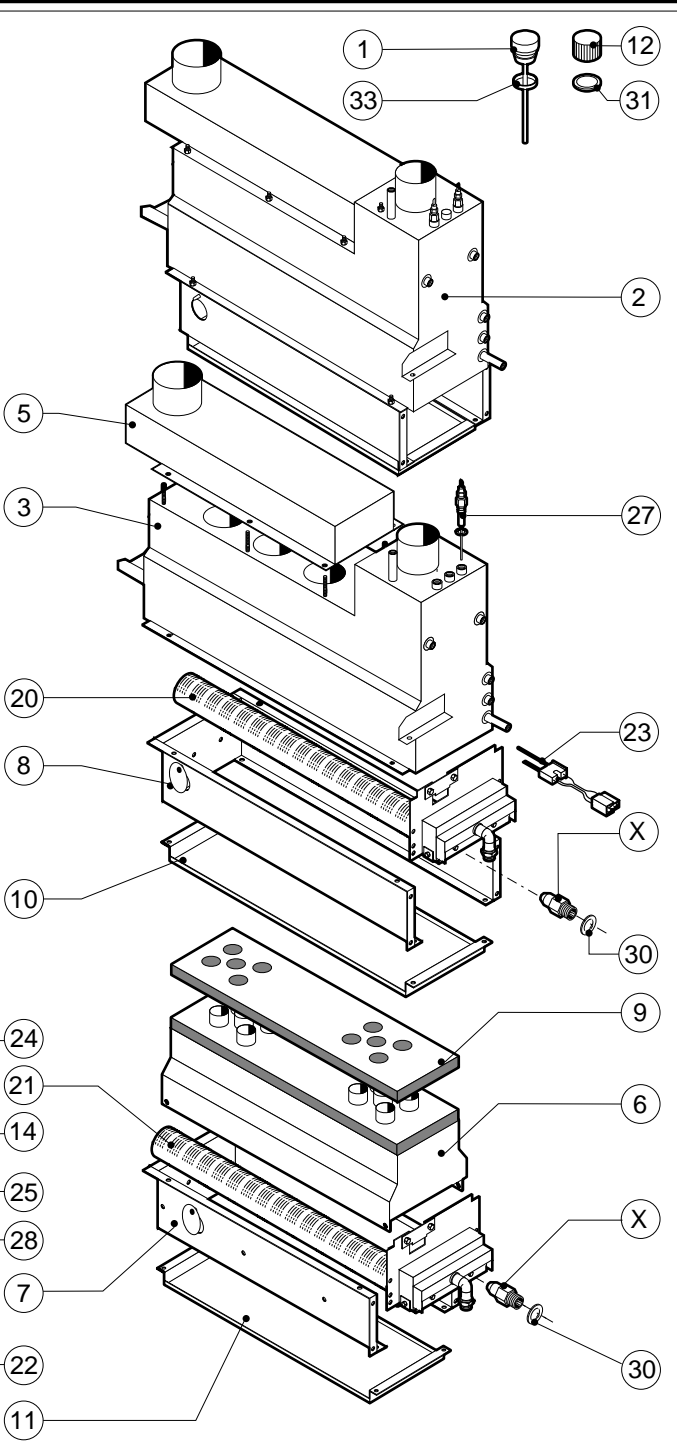
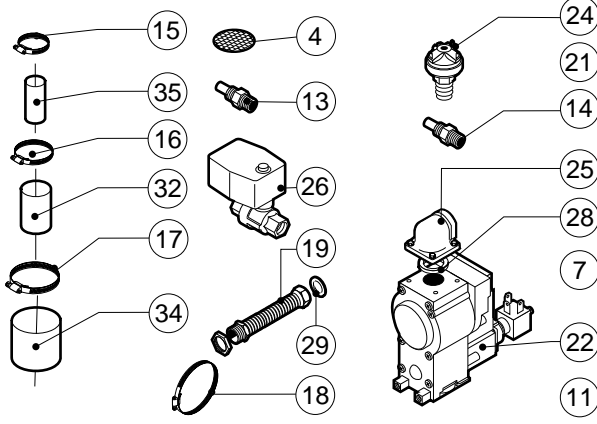
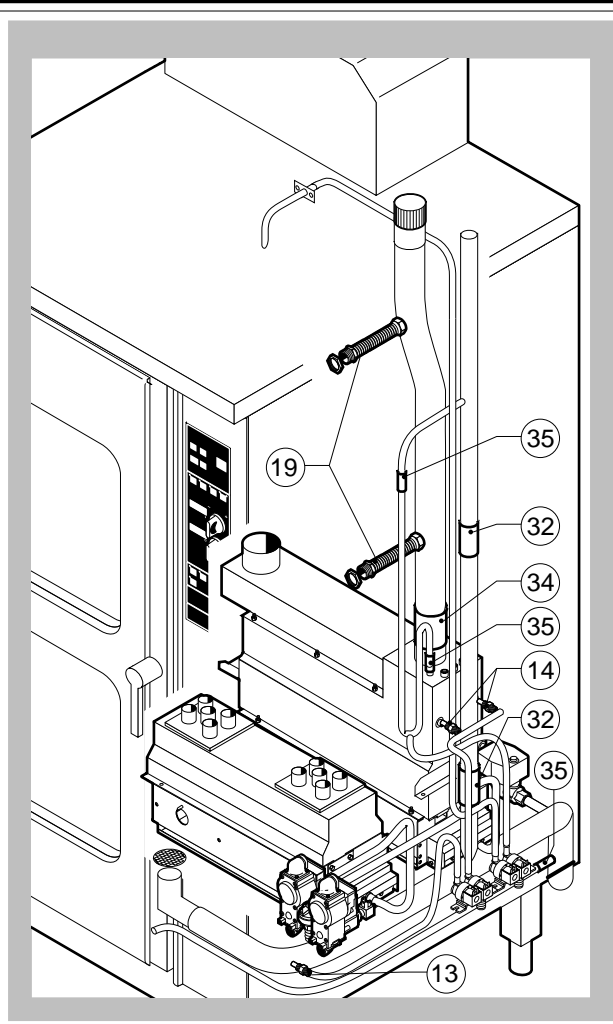
POS.	CODE	PIECES	DESCRIPTION
1	R03200970	1	DOOR LOCK REAR FLANGE
2	R10201290	1	UPPER DOOR HINGE
3	R10201330	1	LOWER DOOR HINGE WITH RETAINER
4	R10202950	1	LOWER DOOR ROD
5	R10202960	1	UPPER DOOR ROD
6	R10207630	1	DOOR
7	R10207680	2	DOOR ROD ADJUSTABLE PLATE
8	R10208290	1	FRONT LOWER DOOR PANEL CATCH
9	R10208300	1	FRONT UPPER DOOR PANEL CATCH
10	R10208340	1	FRONT DOOR PANEL
11	R10410770	1	INNER DOOR PANEL
12	R10411350	1	LOWER SQUARE FOR DOOR ROD
13	R10411360	1	UPPER SQUARE FOR DOOR ROD
14	R10456040	2	LOWER HINGE FOR FRONT DOOR PANEL
15	R10456050	1	UPPER HINGE FOR FRONT DOOR PANEL
16	R58002150	1	HINGE PIN
17	R58002540	1	DOOR PIVOT SUNK KEY
18	R58002550	1	DOOR RETAINER GUIDE SHOE
19	R58002560	1	SCREW FOR LOWER DOOR HINGE

POS.	CODE	PIECES	DESCRIPTION
20	R58002570	1	WASHER Ø 30/15x3
21	R58003180	1	DOOR HANDLE PIN
22	R58003450	1	DOOR HANDLE
23	R58004050	1	NUT FOR UPPER DOOR HINGE
24	R58004781	1	DOOR HANDLE HOOK
25	R61040242	1	DOOR HANDLE HOOK SCREW
26	R61090052	1	GRUB SCREW M6x16
27	R61100262	1	GRUB SCREW M8x20
28	R61420021	1	ELASTIC WASHER
29	R61620091	16	BELLEVILLE WASHER Ø 14/6.4
30	R69015050	1	DOOR HANDLE ASSEMBLY
31	R70040200	4	GLASS GASKET
32	R70042040	1	DOOR GASKET
33	R71030120	2	DOOR GLASS



POS.	CODE	PIECES	DESCRIPTION
1	R58003840	2	MOTOR GASKET BRASS FLANGE
2	R58003850	2	MOTOR GASKET BRASS COUNTER FLANGE
3	R58004000	2	FAN SCREW M12x1.5 SX
4	R58004010	2	FAN WASHER Ø 30/12.5
5	R61020562	2	FAN SCREW TE A2 M6x55
6	R63060080	2	BURNER IGNITION PANEL WR 50A72-214
7	R65040041	2	MOTOR HP 1 KIT
8	R65060010	2	COMPONENTS VENTILATION MOTOR Ø 80
9	R65070070	1	CHAMBER SAFETY THERMOSTAT
10	R65070080	1	STEAM GENERATOR SAFETY THERMOSTAT
11	R65090450	2	IGNITION DELAY TIMER
12	R65095000	1	DAMPER SYSTEM
13	R65110040	1	SOLENOID VALVE 220V 50HZ
14	R65115000	1	SOLENOID VALVE 220V 50HZ WITH FLOW REDUCER
15	R65140150	3	CONTACTOR 3TF4011-OAUO 240V
16	R65160050	2	THERMIC SWITCH SUPPORT 3UX1418
17	R65160130	2	THERMIC PROTECTION 3UA5000-1F 3.2-5A
18	R65180650	1	TRANSFORMER 23VA
19	R65190030	2	CAPACITOR 16 µF

POS.	CODE	PIECES	DESCRIPTION
20	R65200200	1	FUSE 2A
21	R65200320	1	FUSE 0.2A (T)
22	R65210020	2	FUSE CARRIER
23	R65220090	1	TERMINAL BOARD
24	R65265100	1	DOOR SWITCH
25	R65325000	3	PROBE PT100
26	R65330040	1	BUZZER
27	R70020050	2	MOTOR GASKET
28	R75400290	2	FAN Ø 300x120/20 50HZ P.D. KIT



POS.	CODE	PIECES	DESCRIPTION
1	R10100140	1	DAMPER SYSTEM CAP
2	R10102150	1	STEAM GENERATOR ASSEMBLY
3	R10201000	1	STEAM GENERATOR
4	R10201710	1	DRAIN FILTER
5	R10202120	1	STEAM GENERATOR GAS FLUE PIPE
6	R10202410	1	COMBUSTION CABINET
7	R10202530	1	CABINET BURNERS SUPPORT
8	R10202600	1	STEAM GENERATOR SUPPORT
9	R10406250	1	COMBUSTION CABINET INSULATION PLATE
10	R10409400	1	STEAM GENERATOR BURNERS PROTECTION PLATE
11	R10411650	1	CHAMBER BURNERS PROTECTION PLATE
12	R58005680	1	STEAM GENERATOR DESCALING CAP 1"1/4 F
13	R58006080	1	STEAM QUENCHING NOZZLE Ø 2
14	R58006110	2	STEAM GENERATOR FLUSHING NOZZLE
15	R61630011	12	METAL CLAMPS 12-22/9
16	R61630021	2	METAL CLAMPS 30-45/9
17	R61630031	2	METAL CLAMPS 40-60/9
18	R61630041	4	METAL CLAMPS 70-90/9
19	R62180022	2	FLEXIBLE STEEL PIPE Ø 20x3/4" ASSEMBLY

POS.	CODE	PIECES	DESCRIPTION
20	R63016100	1	STEAM GENERATOR BURNER ASSEMBLY
21	R63016110	1	CHAMBER BURNER ASSEMBLY
22	R63020010	2	GAS SOLENOID VALVE VR4605
23	R63050040	2	IGNITOR/SENSOR WR 768G213
24	R63070010	1	GAS SAFETY PRESSURE SWITCH PG 901.61
25	R63080020	4	CURVED FLANGE 1/2"
26	R65110540	1	STEAM GENERATOR DRAIN MOTORIZED VALVE
27	R65320010	2	STEAM GENERATOR LEVEL PROBE
28	R70010070	4	RING
29	R70030050	2	GASKET Ø 16x24 3/4"
30	R70030090	4	NOZZLE GASKET
31	R70050040	1	STEAM GENERATOR CAP GASKET
32	R70060010	2	SILICON COUPLING Ø 30
33	R70060020	1	DAMPER SYSTEM CAP GASKET
34	R70060040	1	SILICON COUPLING Ø 50
35	R70060060	4	SILICON COUPLING Ø 15
X		2	NOZZLE (See service manual)
X		2	NOZZLE (See service manual)

