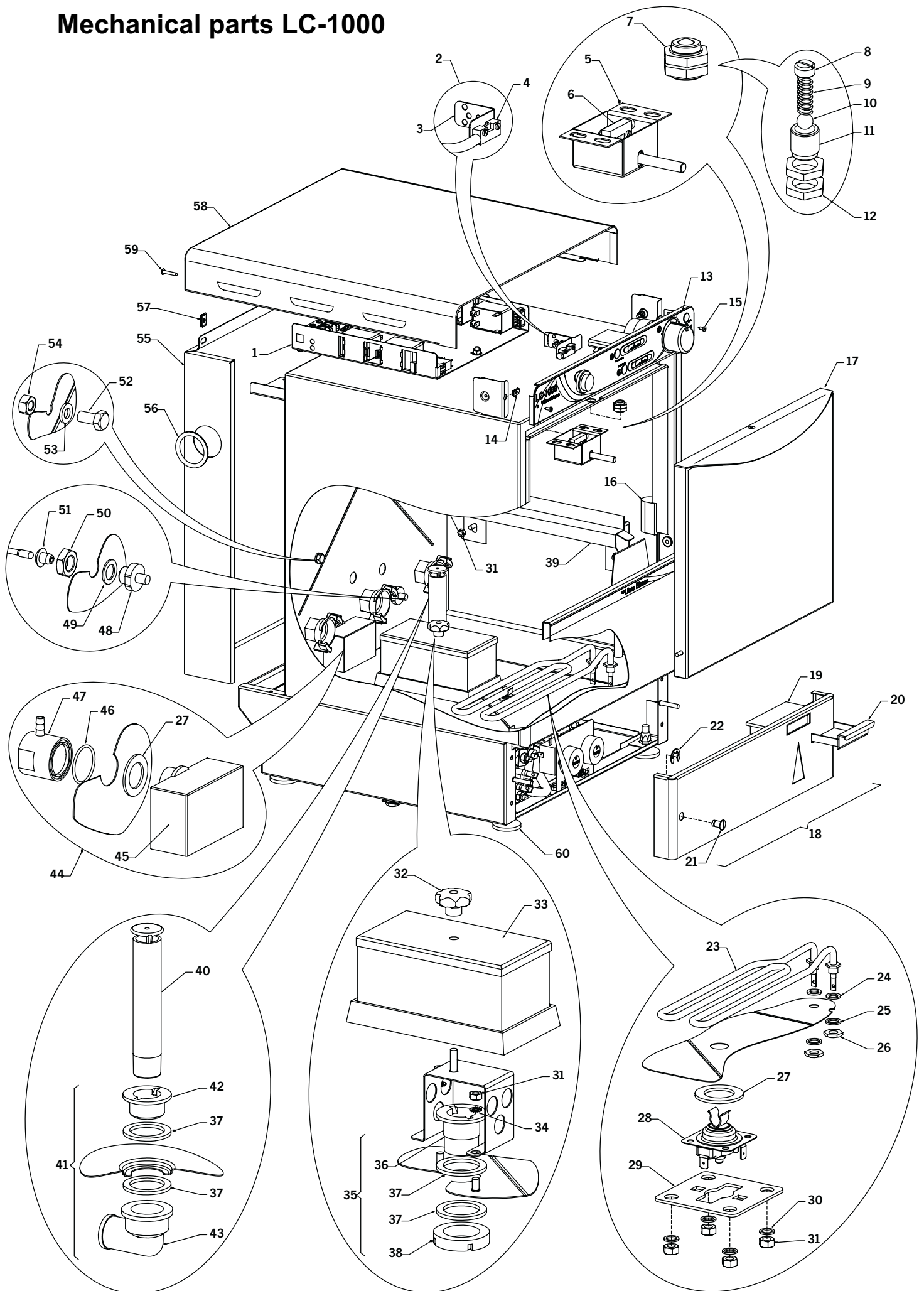


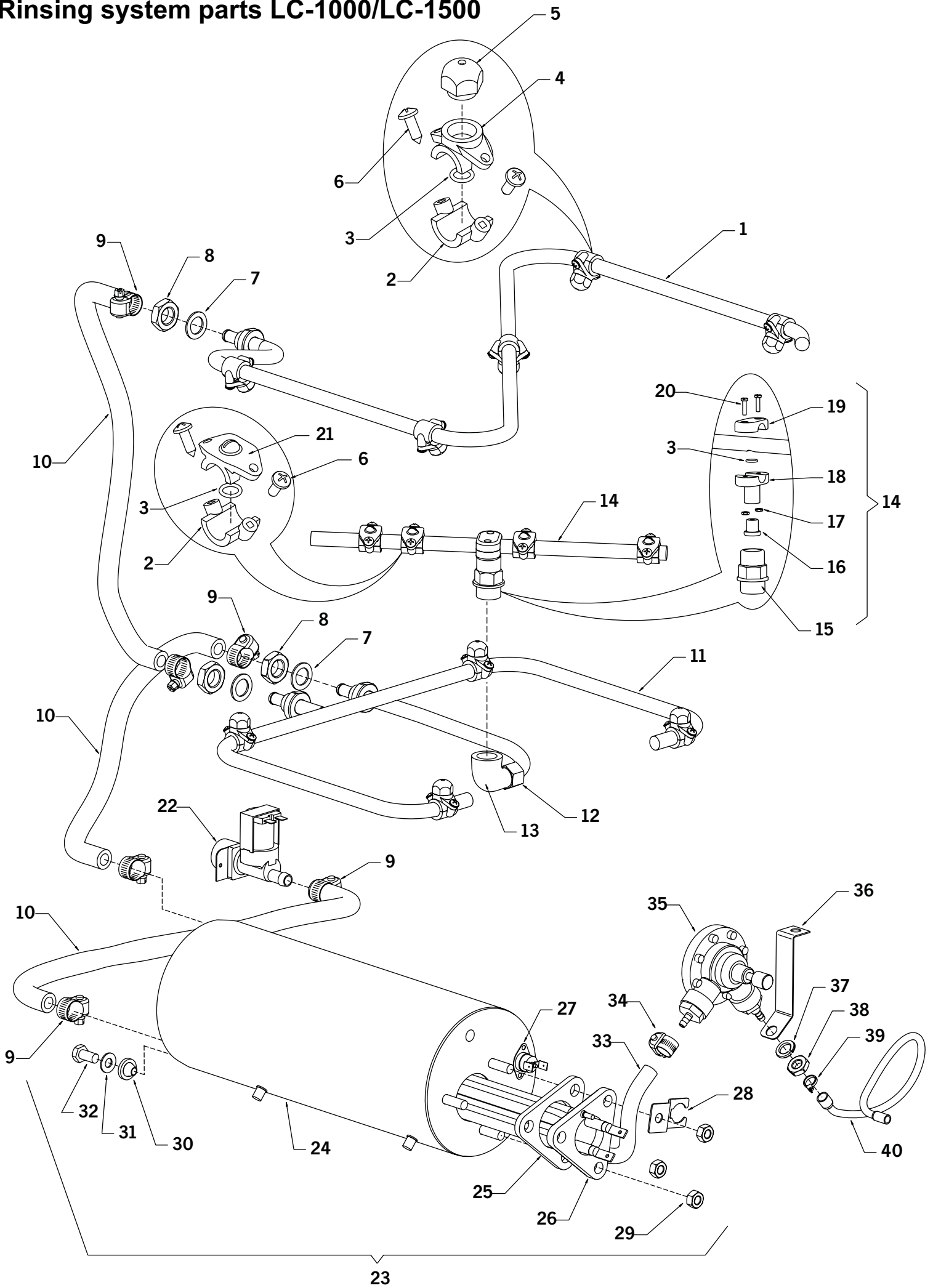
Mechanical parts LC-1000



Mechanical parts LC-1000

| NUMBER | CODE | DENOMINATION |
|--------|------------|--|
| 1 | A320047 | ELECTRIC PANEL ASSEMBLY LC-1000 |
| 2 | A460002 | MAGNETIC SWITCH WITH SUPPORT |
| 3 | A4600022F4 | MAGNETIC SWITCH SUPPORT |
| 4 | A030250 | MAGNETIC SWITCH |
| 5 | A450002 | MAGNETIC PUSH ASSEMBLY |
| 6 | A030252 | MAGNET (ALL MODELS) |
| 7 | A290001 | DOOR CATCHL ASSEMBLY |
| 8 | A050080I | STAINLESS STEEL INNER NUT DOOR CATCH |
| 9 | A060067 | BALL CATCH SPRING |
| 10 | A050116 | DOOR CATCH STEEL BALL |
| 11 | A050270 | STAINLESS STEEL CATCH BODY |
| 12 | A050081I | STAINLESS STEEL OUTER NUT DOOR CATCH |
| 13 | A320024/1 | CONTROL PANEL ASSEMBLY LC-1000 WITH TEMPERATURE INDICATORS |
| 14 | A060040 | U LOCK NUT TR-522 1C |
| 15 | A060125 | STAINLESS STEEL SCREW DIN7981 6*9*5 |
| 16 | A040241 | DOOR STOP SCREW PLASTIC COVER |
| 17 | A300025 | FRONT DOOR LC-1000 |
| 18 | A310001 | COMPLETE BASE DOOR LC-1000 |
| 19 | A700113 | RINSING AID LIQUID TANK |
| 20 | A040219 | RINSING AID LIQUID TANK GUIDE |
| 21 | A050090 | LOWER FIXING NUT M6 |
| 22 | A060153 | STAINLESS STEEL SAFETY WASHER Ø 8 MM. DIN 6799 |
| 23 | A030018PLF | 2000 W HEATING ELEMENT |
| 24 | A030402 | TANK FLAT HEATING ELEMENT GASKET |
| 25 | A030401 | TANK FLAT HEATING ELEMENT WASHER |
| 26 | A030403 | TANK FLAT HEATING ELEMENT NUT |
| 27 | A040043 | PRESSURE SWITCH HOOD RUBBER GASKET |
| 28 | A030067/3 | TANK 2000W SAFETY THERMOSTAT |
| 29 | A000421F1 | TANK SAFETY THERMOSTAT FASTENING |
| 30 | A709100 | CONDENSER FAN SUPPORT CLAMPING WASHER |
| 31 | A060024 | MAGNETIC CASE FASTENING WASHER M6 |
| 32 | A040300 | FILTER CLAMP KNOB |
| 33 | A430010 | SMALL FILTER RUBBER GASKET LC-1000/1500/1700 |
| 34 | A060151 | MAGNETIC SHAFT TOOTHED WASHER DIN 6798 M6 |
| 35 | A700006 | DRAIN CONNECTOR ASSEMBLY (OLD) |
| 36 | A040123 | DRAIN CONNECTOR FOR DRAIN PUMP |
| 37 | A040044 | DRAIN CONNECTOR FLAT GASKET |
| 38 | A040142 | DRAIN CONNECTOR NUT |
| 39 | A004354F4 | BASKET GUIDE LC-1000 |
| 40 | A040211 | 130 MM DRAIN PLUG |
| 41 | A700007 | DRAIN CONNECTOR ASSEMBLY (NEW) |
| 42 | A040124 | DRAIN CONNECTOR |
| 43 | A040170 | MODERN PLASTIC DRAIN ELBOW |
| 44 | A700102 | PRESSURE SWITCH AIR BELL ASSEMBLY |
| 45 | A040308 | PRESSURE SWITCH HOOD BODY |
| 46 | A040024 | PRESSURESTAT HOOD O-RING 33*29*2 |
| 47 | A040304 | PRESSURE SWITCH HOOD HEAD |
| 48 | A050034 | STAINLESS STEEL PROBE CAP |
| 49 | A040013 | FLAT CLAMPING 23,5*15*1,5 |
| 50 | A060027E | STAINLESS STEEL GRIP NUT DIN 936 M16 |
| 51 | A040319 | THERMOMETER PROBE RUBBER FIXING |
| 52 | A060104 | STAINLESS STEEL SCREW M8*10 C/E |
| 53 | A040037 | FLAT RUBBER GASKET 15*8*2 |
| 54 | A060022 | STAINLESS STEEL BOILER HEATING ELEMENT FIXING NUT M8 |
| 55 | A700265 | REAR COVER LC-1000 |
| 56 | A040320 | PROTECTION FEED-THROUGH |
| 57 | A060041 | U LOCK NUT TR-536 B |
| 58 | A700205 | TOP COVER LC-1000 |
| 59 | A060124 | STAINLESS STEEL SCREW DIN7981 4'2*25 |
| 60 | A060112 | ZINZING SCREW M10*40 (ADJUSTABLE FEET) |

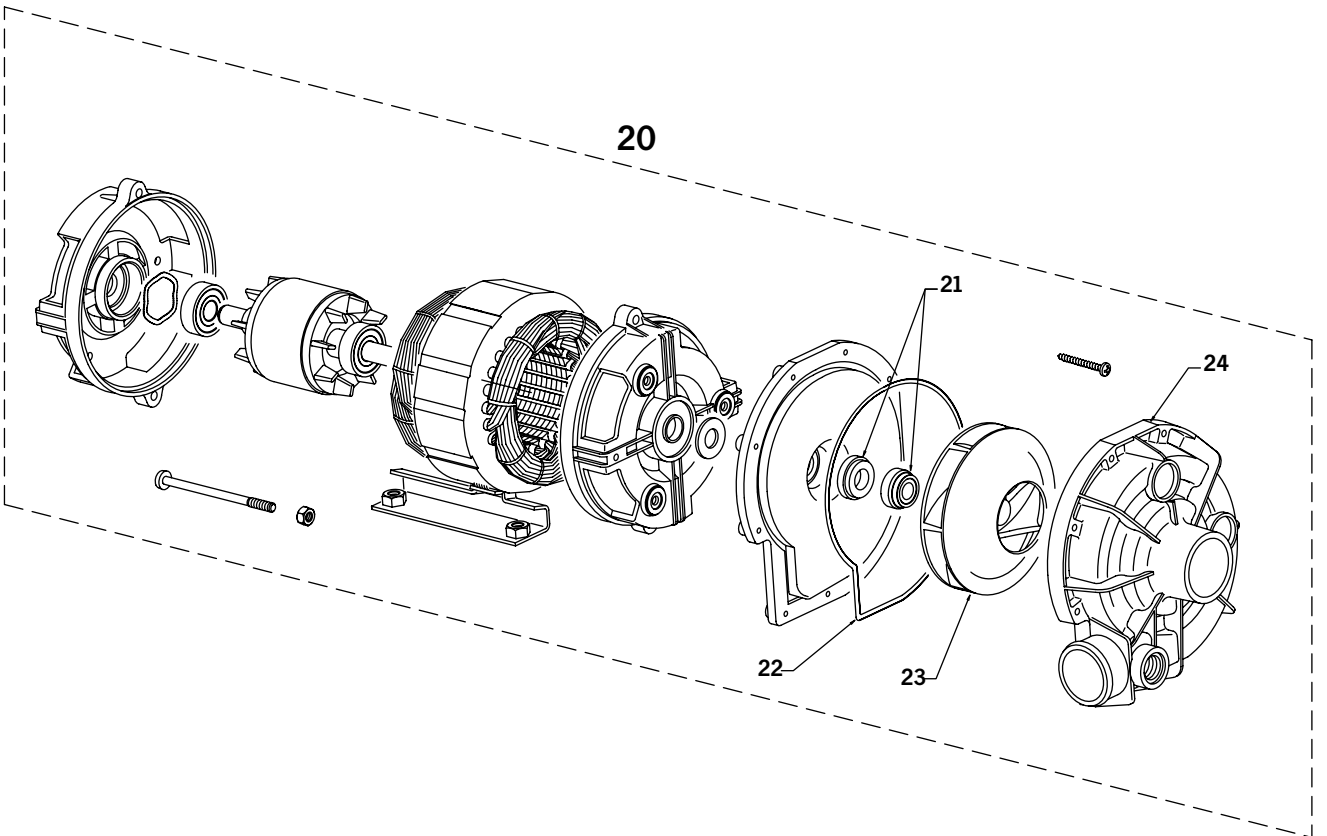
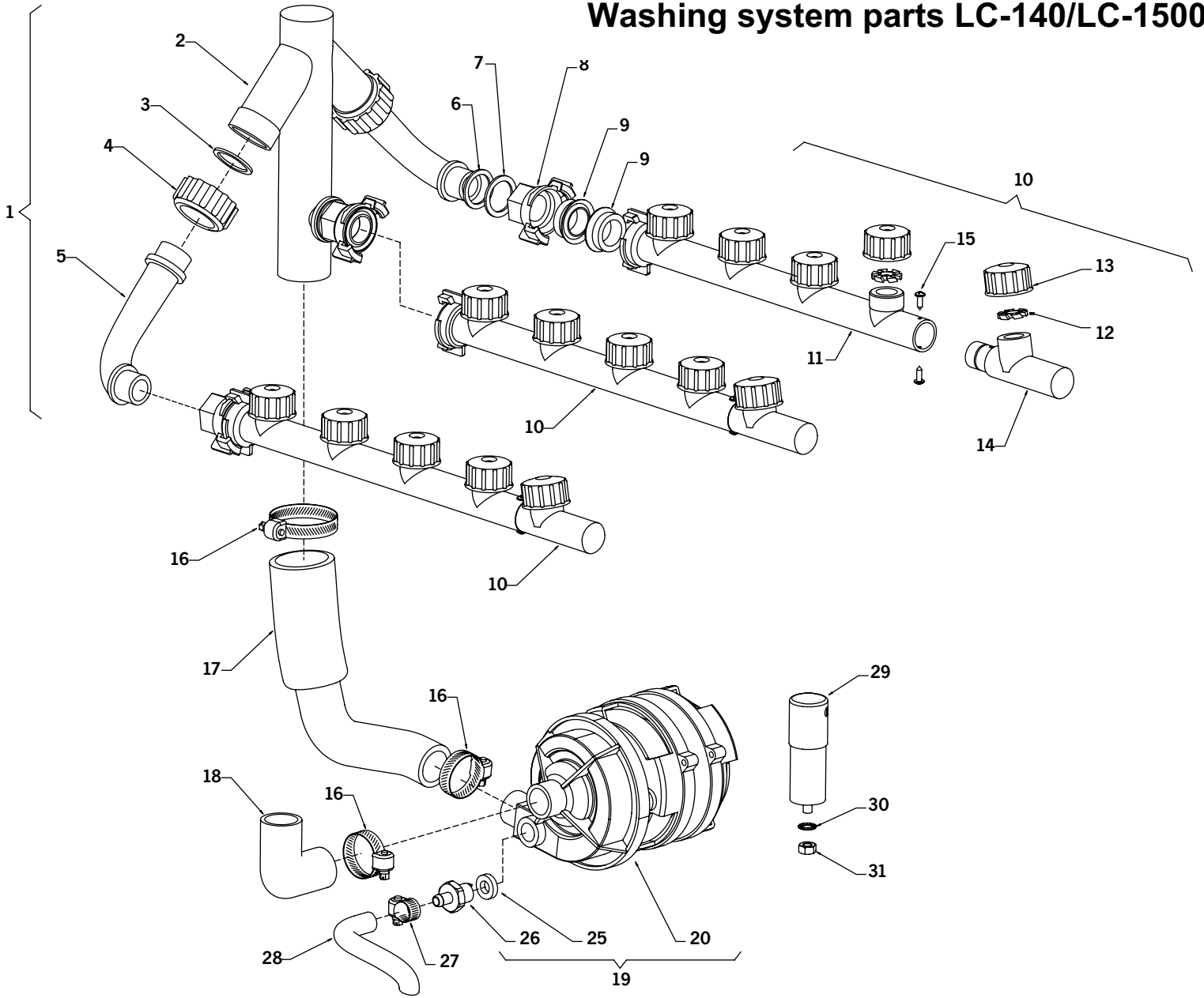
Rinsing system parts LC-1000/LC-1500



Rinsing system parts LC-1000/LC-1500

| NUMBER | CODE | DENOMINATION |
|--------|-----------|---|
| 1 | A220023I | STAINLESS STEEL UPPER RINSE SHAFT ASSEMBLY LC-1000 |
| 1 | A220020I | UPPER RINSE SHAFT ASSEMBLY STAINLESS STEEL LC-1500 |
| 2 | A040075 | RINSE INJECTOR SUPPORT |
| 3 | A040029 | O-RING 6,07*1,78 |
| 4 | A040076 | FIXED RINSE INJECTOR SUPPORT |
| 5 | A040080 | RINSE INJECTOR |
| 6 | A060123 | DISPENSER STAINLESS STEEL SCREW C/EX. M6*55 |
| 7 | A040040 | RINSE CONNECTOR FLAT GAKET |
| 8 | A060027E | STAINLESS STEEL GRIP NUT DIN 936 M16 |
| 9 | A060171 | HYDRAULIC TUBE CLAMP |
| 10 | A040101 | HYDRAULIC CIRCUIT HOSE |
| 11 | A210023I | STAINLESS STEEL LOWER RINSE SHAFT ASSEMBLY LC-1000 |
| 11 | A210020I | LOWER RINSE SHAFT ASSEMBLY STAINLESS STEEL LC-1500 |
| 12 | A050082I | FIXING NUT LOWER RINSING SHAFT |
| 13 | A040073 | ELBOW WITH PLASTIC THREAD 1/2 GAS |
| 14 | A230023I | STAINLESS STEEL ROTATING SHAFT ASSEMBLY LC-1000 |
| 14 | A230020I | ROTATING SHAFT ASSEMBLY SATINLESS STEEL LC-1500 |
| 15 | A040225 | ROTATING SHAFT SUPPORT |
| 16 | A050102 | ROTATING SHAFT FIXING SCREW |
| 17 | A060019 | MAGNETIC SWITCH FASTENING WASHER DIN 934 A-2 M3 |
| 18 | A040078 | ROTATORY SHAFT LOWER FLY WHEEL |
| 19 | A040077 | ROTATORY SHAFT UPPER FLY WHEEL |
| 20 | A060117 | STAINLESS STEEL SCREW DIN.84 A2 M3*12 |
| 21 | A040074 | ROTATORY RINSE INJECTOR |
| 22 | A020030 | 1-WAY SOLENOID VALVE |
| 23 | A250002/1 | BOILER (HEATING ELEMENT INCLUDED) LC-1000/1500/1700 |
| 24 | A250001/1 | BOILER (HEATING ELEMENT NOT INCLUDED) LC-1000/1500/1700 |
| 25 | A040047 | RESISTOR TRIANGULAR GASKET |
| 26 | A030019 | 2700 W BOILER HEATING ELEMENT |
| 27 | A030067/1 | BOILER SAFETY THERMOSTAT T40-95°C |
| 28 | A000412F2 | BOILER SAFETY THERMOSTAT FASTENING |
| 29 | A060022 | STAINLESS STEEL BOILER HEATING ELEMENT FIXING NUT M8 |
| 30 | A040049 | BOILER DRAIN TAPERED GASKET |
| 31 | A709098 | BOILER PLUG STAINLESS WASHER |
| 32 | A060105 | BOILER PLUG STAINLESS SCREW M8*16 C/E |
| 33 | A040100 | 13 X 5 RUBBER TUBE |
| 34 | A060170 | 8/16 CLAMP |
| 35 | A200001/2 | RINSE AID LIQUID DOSER FILTER ASSEMBLY |
| 36 | A004241F2 | AUTOMATIC DOSER FASTENING (ONLY FOR LC-1000) |
| 37 | A060155 | GALVANISED GROWER WASHER M10 |
| 38 | A060023E | STAINLESS STEEL GRIP NUT DIN 936 M10 |
| 39 | A070303 | NYLON Q-TIES REF.: 2221 |
| 40 | A040105 | PLASTIC TUBE |

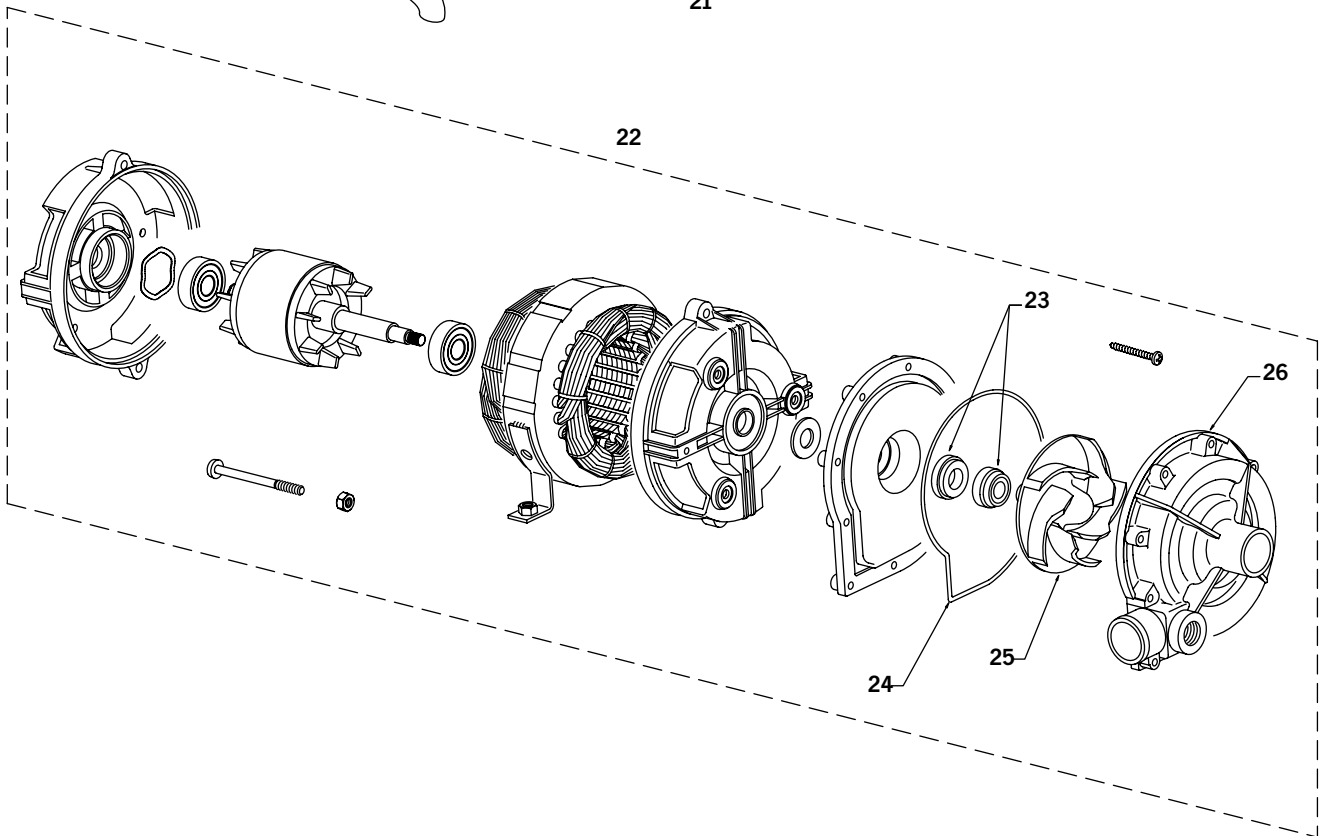
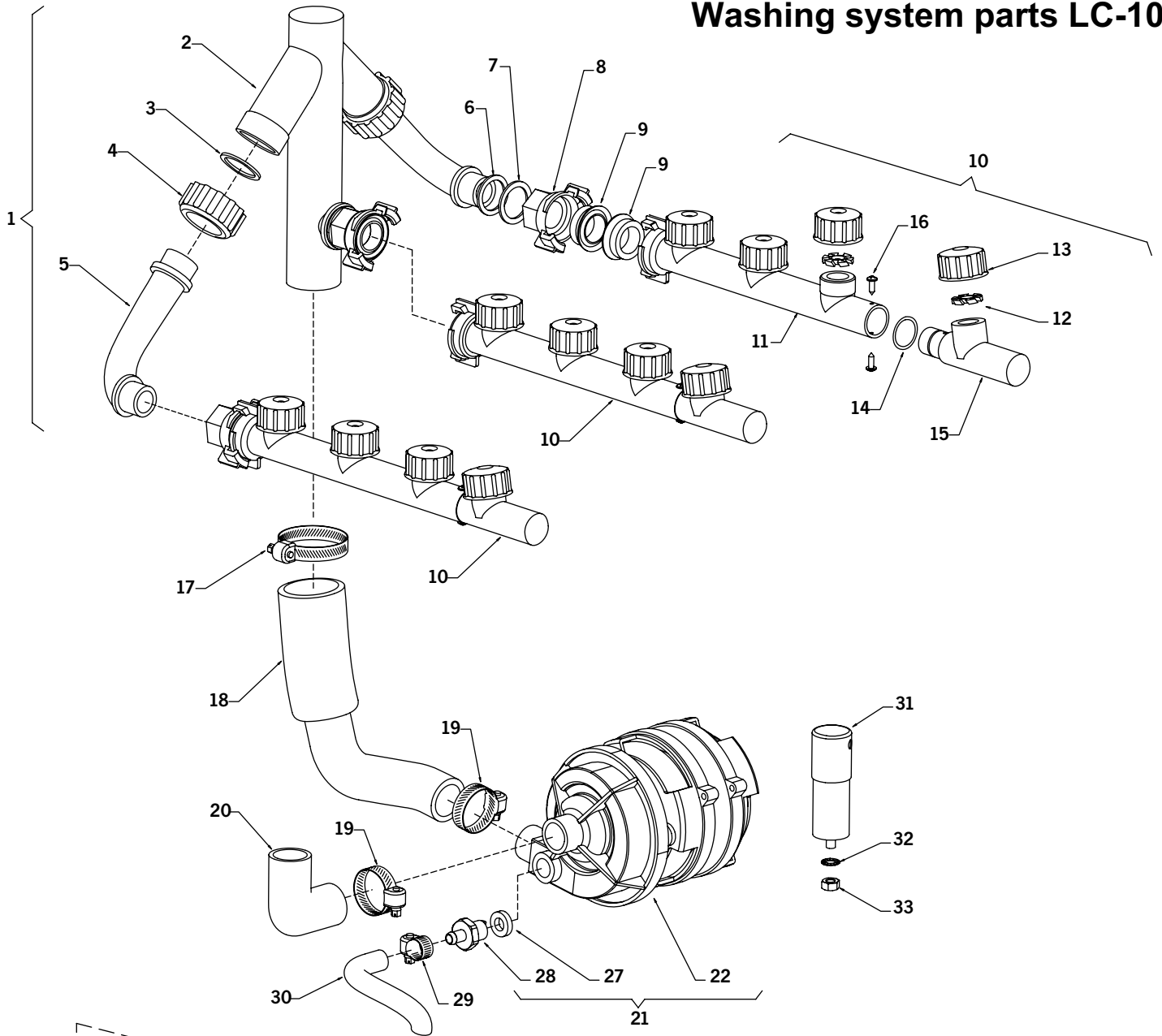
Washing system parts LC-140/LC-1500



Washing system parts LC-140/LC-1500

| NUMBER | CODE | DENOMINATION |
|--------|------------|--|
| 1 | A400023 | LOWER DISTRIBUTOR ASSEMBLY LC-140/1000 |
| 1 | A400020 | LOWER DISTRIBUTOR ASSEMBLY LC-1500 |
| 2 | A4000231F2 | SHORT DISTRIBUTOR LC-140/1000 |
| 2 | A040231 | LOWER DISTRIBUTOR (LC-1500) |
| 3 | A040042 | DISTRIBUTOR ELBOW INNER FLAT GASKET |
| 4 | A040144 | DISTRIBUTOR ELBOW HOLD DOWN NUT |
| 5 | A040161 | DISTRIBUTOR ELBOW |
| 6 | A040012 | FLAT RUBBER CLAMPING 34*26*2 EXT. D |
| 7 | A040057 | PRESSURE CONNECTOR FLAT GASKET KLINGERIT |
| 8 | A040143 | BAYONET TYPE NUT |
| 9 | A040050 | WASH SHAFT TAPERED GASKET |
| 10 | A280014 | WASH SHAFT ASSEMBLY LC-140 |
| 10 | A280020 | WASH SHAFT ASSEMBLY LC-1500 |
| 11 | A040250 | WASH SHAFT LC-140/1500 |
| 12 | A040179 | 4MM D. JET STAR |
| 12 | A040178 | 3MM D. JET STAR |
| 13 | A040201 | WASH SHAFT JET PLUG |
| 14 | A040311 | WASH SHAFT SPLICE |
| 15 | A060123 | DISPENSER STAINLESS STEEL SCREW C/EX. M6*55 |
| 16 | A060173 | DRAIN TUBE FASTENING CLAMP |
| 17 | A040165 | PUMP DISCHARGE ELBOW |
| 18 | A040164 | PUMP INTAKE ELBOW 1/2 & 3/4 HP |
| 19 | A330002 | 1/2HP PUMP ASSEMBLY WITH RACCORD |
| 20 | A020002 | 0,5 HP PUMP |
| 21 | A020040 | PUMP SHAFT RETAINER |
| 22 | A020942 | PUMP COVER GASKET |
| 23 | A020911 | PUMP IMPELLER |
| 24 | A020901 | PLASTIC PUMP COVER 1/2HP Y 3/4HP |
| 25 | A040058 | PRESSURE CONNECTOR FLAT GASKET |
| 26 | A0500411 | RINSING AID LIQUID DOSER IMPULSE STARTER STAINLESS STEEL CONNECTOR FROM MODEL LC-1700 UP TO LC-4200 |
| 27 | A060171 | HYDRAULIC TUBE CLAMP |
| 28 | A040101 | HYDRAULIC CIRCUIT HOSE |
| 29 | A030301 | 1/2 HP & 3/4 H PUMP CONDENSER |
| 30 | A060152 | HANDLE INNER M8 TOOTHED WASHER |
| 31 | A060003 | NUT GALVANIZED M8 |

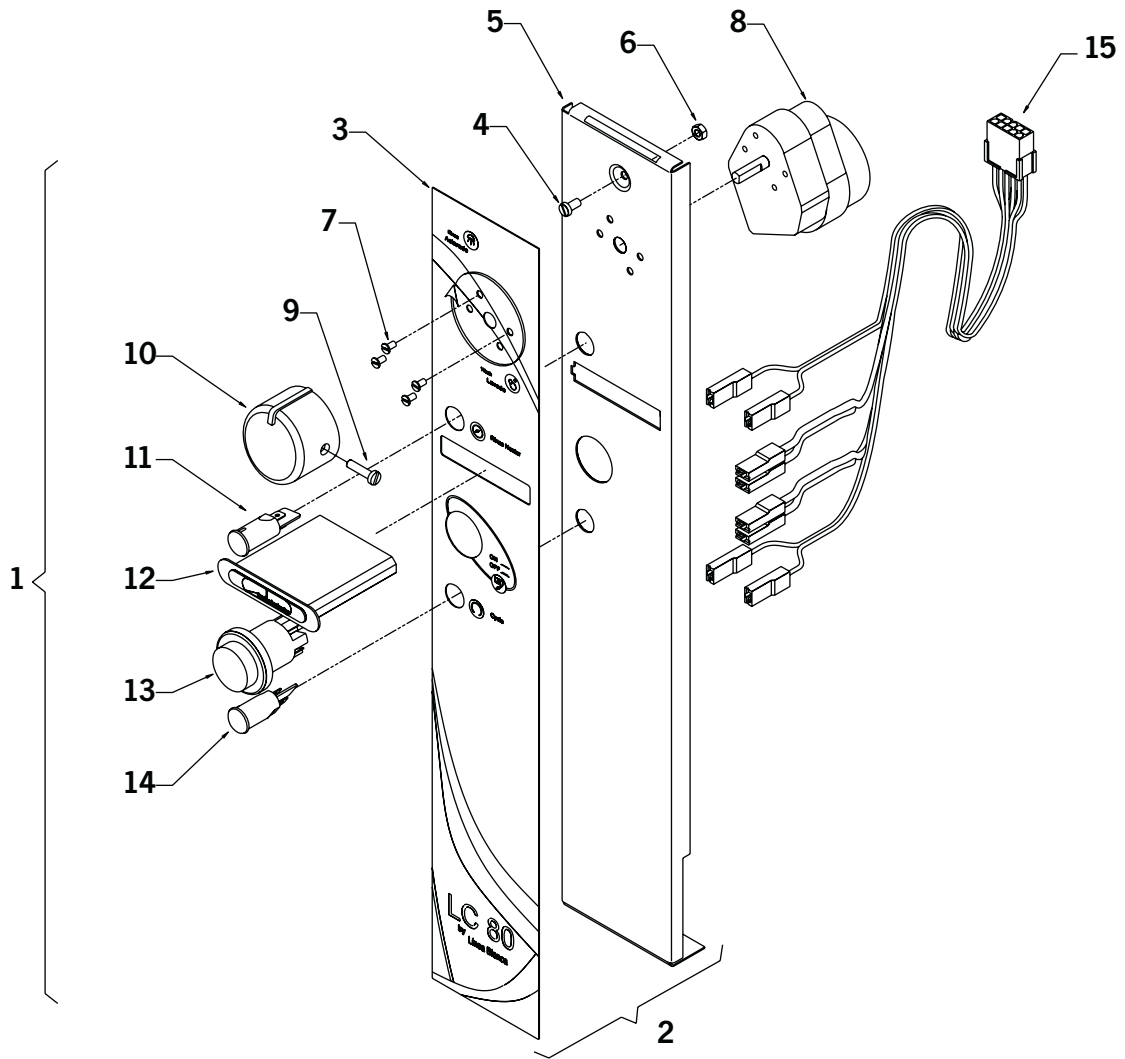
Washing system parts LC-1000



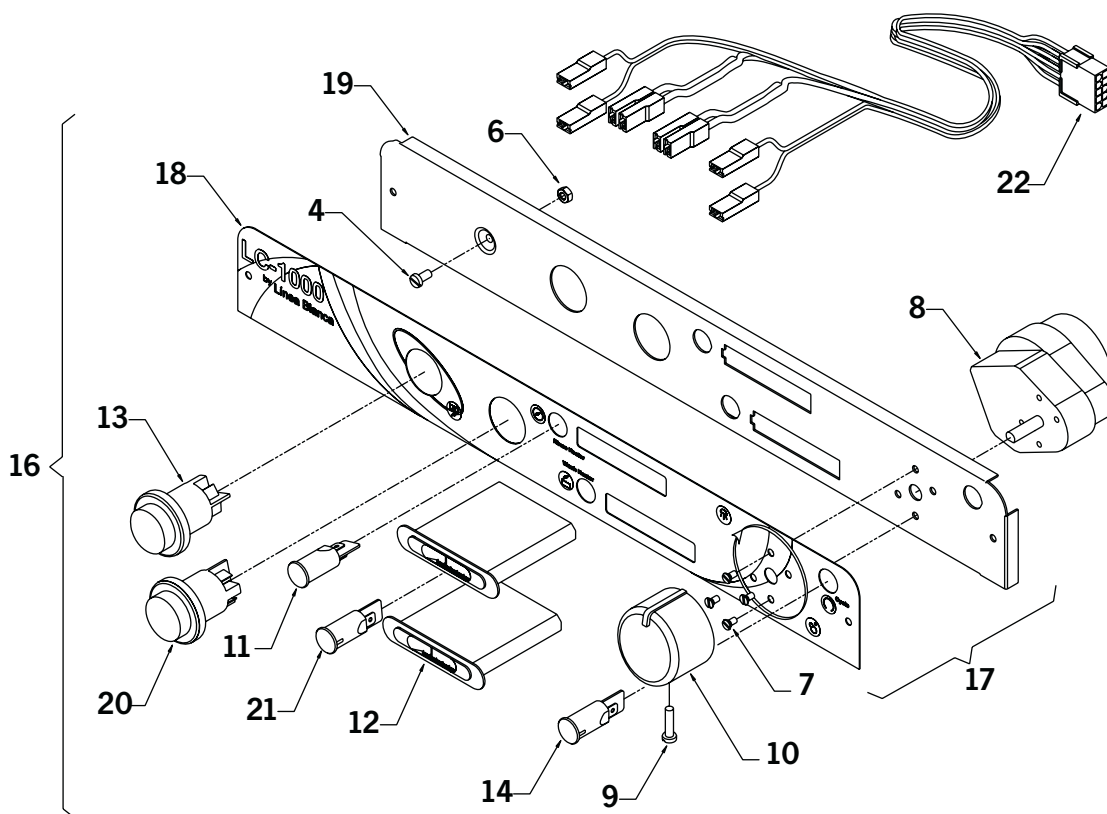
Washing system parts LC-1000

| NUMBER | CODE | DENOMINATION |
|--------|------------|--|
| 1 | A400023 | LOWER DISTRIBUTOR ASSEMBLY LC-140/1000 |
| 2 | A4000231F2 | SHORT DISTRIBUTOR LC-140/1000 |
| 3 | A040042 | DISTRIBUTOR ELBOW INNER FLAT GASKET |
| 4 | A040144 | DISTRIBUTOR ELBOW HOLD DOWN NUT |
| 5 | A040161 | DISTRIBUTOR ELBOW |
| 6 | A040012 | FLAT RUBBER CLAMPING 34*26*2 EXT. D |
| 7 | A040057 | PRESSURE CONNECTOR FLAT GASKET KLINGERIT |
| 8 | A040143 | BAYONET TYPE NUT |
| 9 | A040050 | WASH SHAFT TAPERED GASKET |
| 10 | A280025 | WASH SHAFT ASSEMBLY LC-1000 |
| 11 | A040253 | WASH SHAFT LC-1000 |
| 12 | A040179 | 4MM D. JET STAR |
| 13 | A040201 | WASH SHAFT JET PLUG |
| 14 | A040019 | O-RING 19*2 (WASH COUPLING) |
| 15 | A040311 | WASH SHAFT SPLICE |
| 16 | A060123 | DISPENSER STAINLESS STEEL SCREW C/EX. M6*55 |
| 17 | A060173 | DRAIN TUBE FASTENING CLAMP |
| 18 | A040171 | PUMP IMPULSION ELBOW LC-1000 |
| 19 | A060172 | DRAIN TUBE FASTENING CLAMP |
| 20 | A040174 | INTAKE ELBOW LC-1000 |
| 21 | A330001 | 0,25 HP PUMP ASSEMBLY WITH RACCORD |
| 22 | A020001 | 0,25 HP PUMP |
| 23 | A020040 | PUMP SHAFT RETAINER |
| 24 | A020941 | PUMP COVER GASKET |
| 25 | A020910 | PUMP IMPELLER |
| 26 | A020900 | PLASTIC PUMP COVER 1/4HP |
| 27 | A040058 | PRESSURE CONNECTOR FLAT GASKET |
| 28 | A050040I | RINSING AID LIQUID DOSER IMPULSE STARTER STAINLESS STEEL CONNECTOR LC-140/1000/1500 |
| 29 | A060171 | HYDRAULIC TUBE CLAMP |
| 30 | A040101 | HYDRAULIC CIRCUIT HOSE |
| 31 | A030300 | ¼ HP PUMP CONDENSER |
| 32 | A060152 | HANDLE INNER M8 TOOTHED WASHER |
| 33 | A060003 | NUT GALVANIZED M8 |

Control Panel LC-80/LC-140



Control Panel LC-1000/LC-1500/LC-1700/LC-2000 LC-2300/LC-2300TR/LC-2600/LC-2800

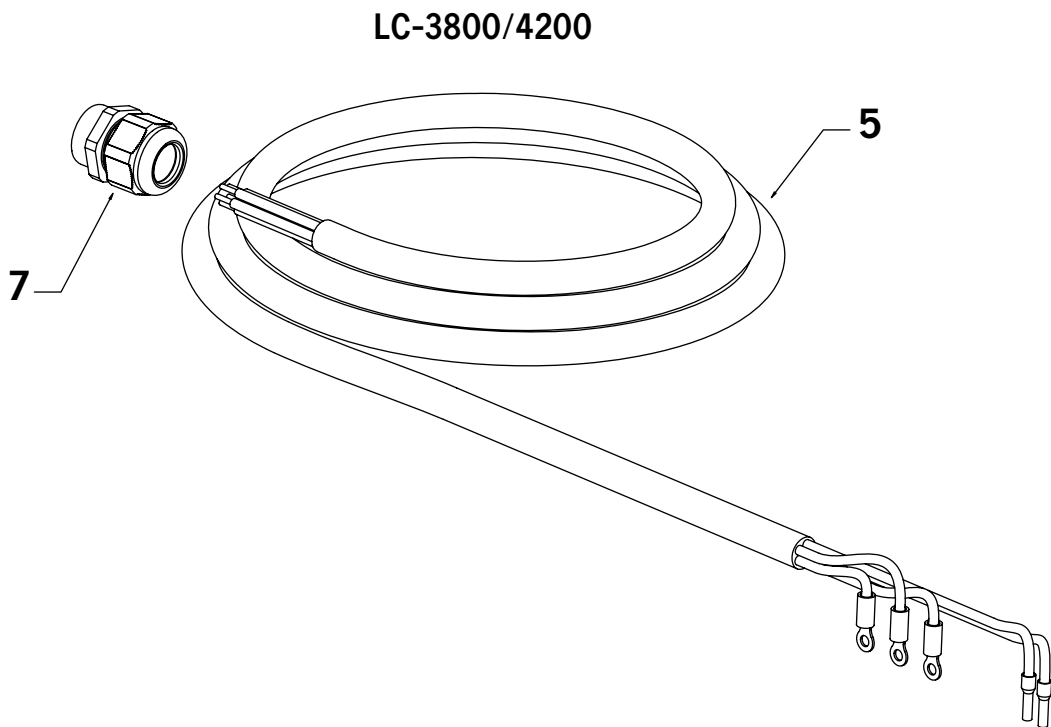
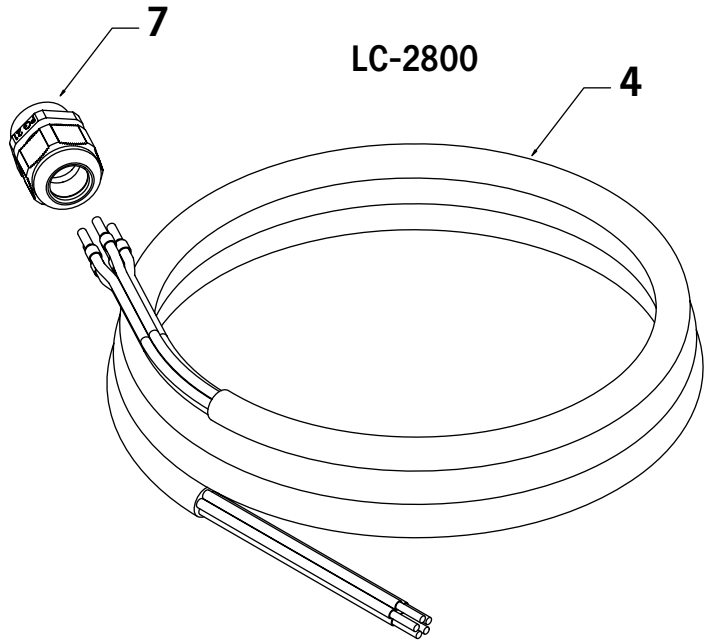
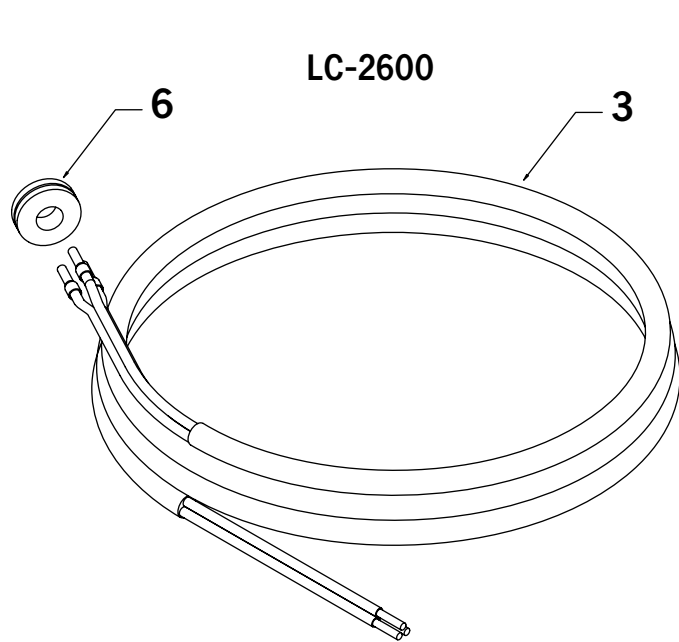
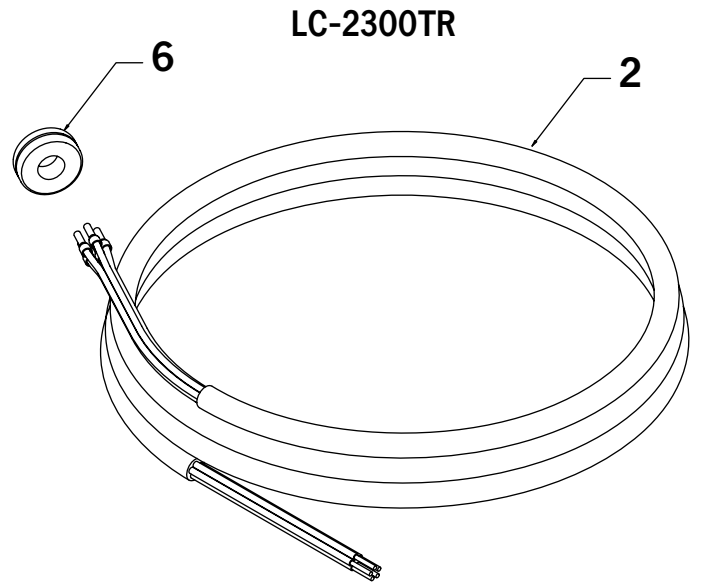
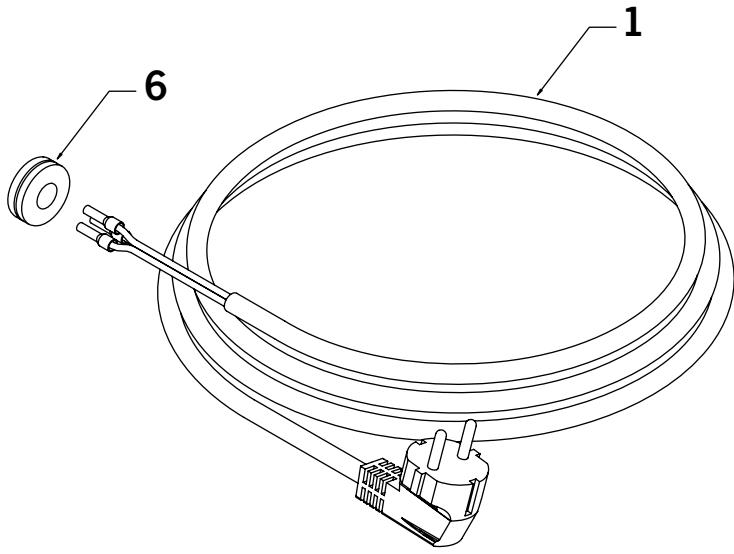


Control Panel LC-80 to LC-2800

| NUMBER | CODE | DENOMINATION |
|--------|--------------|---|
| 1 | A320019/1 | CONTROL PANEL ASSEMBLY LC-80 WITH TEMPERATURE INDICATOR |
| 1 | A320014/1 | CONTROL PANEL ASSEMBLY LC-140 WITH TEMPERATURE INDICATOR |
| 2 | A700020/1 | CONTROL PANEL (FOR TEMPERATURE INDICATOR) ASSEMBLY LC-80 (WITHOUT COMPONENTS) |
| 2 | A700026/1 | CONTROL PANEL (FOR TEMPERATURE INDICATOR) ASSEMBLY LC-140 (WITHOUT COMPONENTS) |
| 3 | A070709T | THERMOMETER CONTROL PANEL STICKER LC-80 |
| 3 | A070701T | THERMOMETER CONTROL PANEL STICKER LC-140 |
| 4 | A060079 | RELAY SETSCREW M4 *8/10 |
| 5 | A3200192F3/1 | FOLDED PANEL LC-80 FOR TEMPERATURE INDICATORS WITHOUT COMPONENTS |
| 5 | A3200142F3/1 | FOLDED PANEL LC-140 WITH TEMPERATURE INDICATOR |
| 6 | A060001 | NUT GALVANIZED M4 |
| 7 | A060100 | PROGRAMMER SETSCREW M3*6 D963 |
| 8 | A030060 | PROGRAMMER |
| 9 | A060114 | STAINLESS STEEL SCREW DIN 84 M4*16 |
| 10 | A080073 | TIMER ROTATION BUTTON |
| 11 | A030097 | RED PILOT LIGHT D222 220VFAST.6,3 LED |
| 12 | A030087 | RECTANGULAR LIQUID EXPANSION THERMOMETER |
| 13 | A030049C | GREEN ROUND SWITCH WITH PROTECTOR |
| 14 | A030098 | AMBER PILOT LIGHT D222 220VFAST.6,3 LED |
| 15 | A370050 | CONTROL PANEL CABLE BUNDLE LC-80/140 |
| 16 | A320024/1 | CONTROL PANEL ASSEMBLY LC-1000 WITH TEMPERATURE INDICATORS |
| 16 | A320020/1 | CONTROL PANEL ASSEMBLY LC-1500 WITH TEMPERATURE INDICATORS |
| 16 | A320015/1 | CONTROL PANEL ASSEMBLY LC-1700 WITH TEMPERATURE INDICATORS |
| 16 | A320021/1 | CONTROL PANEL ASSEMBLY LC-2000 WITH TEMPERATURE INDICATORS |
| 16 | A320017/1 | CONTROL PANEL ASSEMBLY LC-2300 WITH TEMPERATURE INDICATORS |
| 16 | A320016/1 | CONTROL PANEL ASSEMBLY LC-2300TR WITH TEMPERATURE INDICATORS |
| 16 | A320022/1 | CONTROL PANEL ASSEMBLY LC-2600 WITH TEMPERATURE INDICATORS |
| 16 | A320023/1 | CONTROL PANEL ASSEMBLY LC-2800 WITH TEMPERATURE INDICATORS |
| 17 | A700015/1 | CONTROL PANEL (FOR TEMPERATURE INDICATOR) ASSEMBLY LC-1000 (WITHOUT COMPONENTS) |
| 17 | A700016/1 | CONTROL PANEL (FOR TEMPERATURE INDICATOR) ASSEMBLY LC-1500 (WITHOUT COMPONENTS) |
| 17 | A700022/1 | CONTROL PANEL (FOR TEMPERATURE INDICATOR) ASSEMBLY LC-1700 (WITHOUT COMPONENTS) |
| 17 | A700017/1 | CONTROL PANEL (FOR TEMPERATURE INDICATOR) ASSEMBLY LC-2000 (WITHOUT COMPONENTS) |
| 17 | A700021/1 | CONTROL PANEL (FOR TEMPERATURE INDICATOR) ASSEMBLY LC-2300 (WITHOUT COMPONENTS) |
| 17 | A700023/1 | CONTROL PANEL (FOR TEMPERATURE INDICATOR) ASSEMBLY LC-2300TR (WITHOUT COMPONENTS) |
| 17 | A700018/1 | CONTROL PANEL (FOR TEMPERATURE INDICATOR) ASSEMBLY LC-2600 (WITHOUT COMPONENTS) |
| 17 | A700019/1 | CONTROL PANEL (FOR TEMPERATURE INDICATOR) ASSEMBLY LC-2800 (WITHOUT COMPONENTS) |
| 18 | A070710T | THERMOMETER CONTROL PANEL STICKER LC-1000 |
| 18 | A070707T | THERMOMETER CONTROL PANEL STICKER LC-1500 |
| 18 | A070708T | THERMOMETER CONTROL PANEL STICKER LC-1700 |
| 18 | A070702T | THERMOMETER CONTROL PANEL STICKER LC-2000 |
| 18 | A070703T | THERMOMETER CONTROL PANEL STICKER LC-2300 |
| 18 | A070704T | THERMOMETER CONTROL PANEL STICKER LC-2300TR |
| 18 | A070705T | THERMOMETER CONTROL PANEL STICKER LC-2600 |
| 18 | A070706T | THERMOMETER CONTROL PANEL STICKER LC-2800 |
| 19 | A3200242F3/1 | FOLDED PANEL LC-1000 FOR TEMPERATURE INDICATORS WITHOUT COMPONENTS |
| 19 | A3200202F3/1 | FOLDED PANEL LC-1500/1700 FOR TEMPERATURE INDICATORS WITHOUT COMPONENTS |
| 19 | A3200172F3/1 | FOLDED PANEL LC-2000/2300/2300TR FOR TEMPERATURE INDICATORS WITHOUT COMPONENTS |
| 19 | A3200222F3/1 | FOLDED PANEL LC-2600/2800 FOR TEMPERATURE INDICATORS WITHOUT COMPONENTS |
| 20 | A0300492C | AMBER ROUND SWITCH WITH PROTECTOR |
| 21 | A030099 | GREEN PILOT LIGHT D222 220VFAST.6,3 LED |
| 22 | A370051 | CONTROL PANEL CABLE BUNDLE (FROM LC-1000 TO LC-2800) |

Electrical Hose

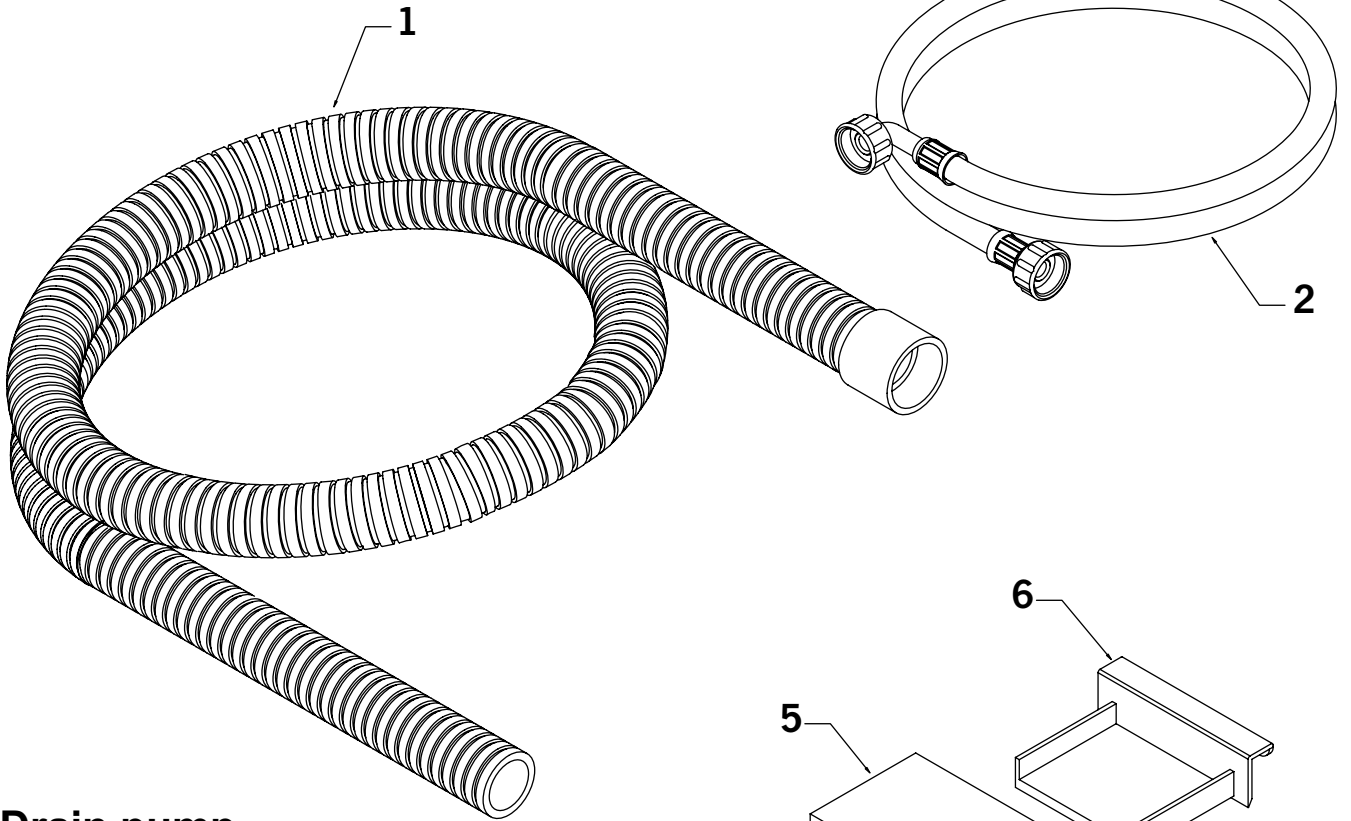
LC-80/140/1000/1500/1700/2000/2300



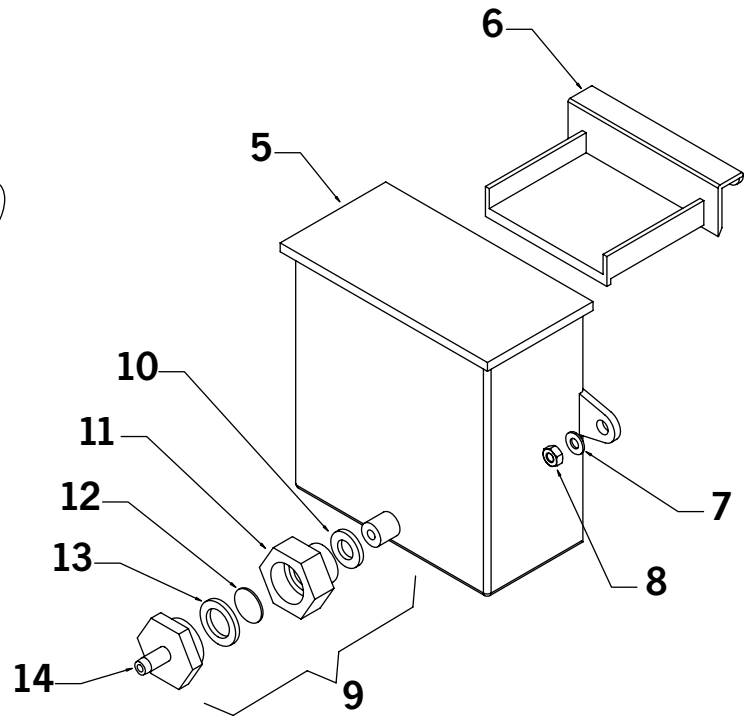
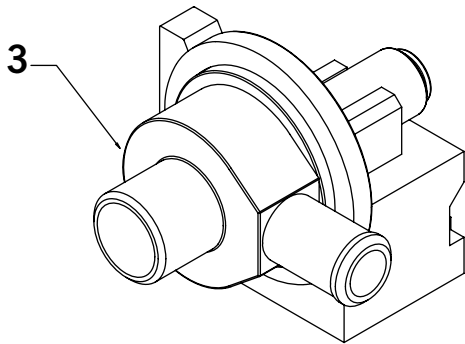
Electrical Hose

| NUMBER | CODE | DENOMINATION |
|--------|---------|---|
| 1 | A030083 | ELECTRICAL HOSE WITH PLUG |
| 2 | A360017 | ELECTRIC CONNECTION CABLE LC-2300TR |
| 3 | A360051 | ELECTRIC CONNECTION CABLE LC-2600 |
| 4 | A360022 | ELECTRIC CONNECTION CABLE LC-2800 |
| 5 | A360007 | ELECTRIC CONNECTION CABLE LC-3800/4200 |
| 6 | A040301 | WIRE CARRIER (LC-80/140/1000/1500/1700/2000/2300/2300TR/2600) |
| 7 | A030065 | HOSE CLAMP STUFFING BOX (LC-2800/3800/4200) |

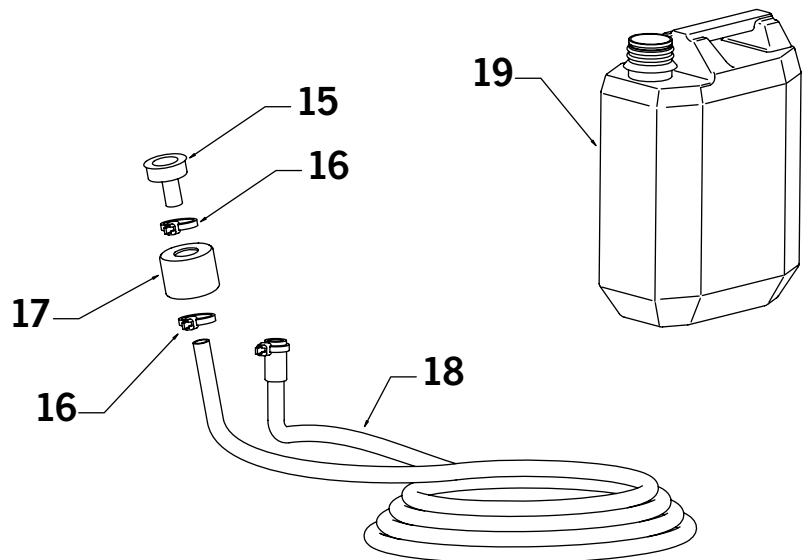
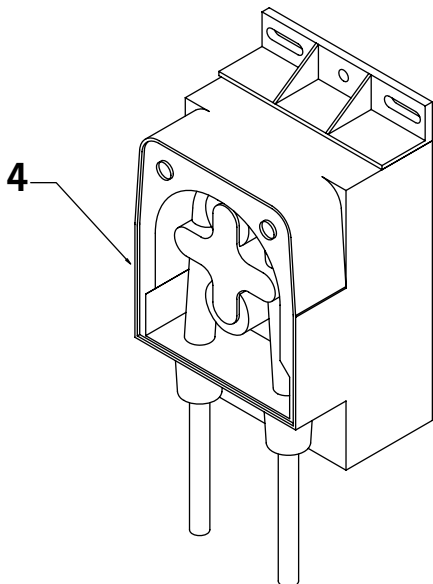
Water connections



Drain pump



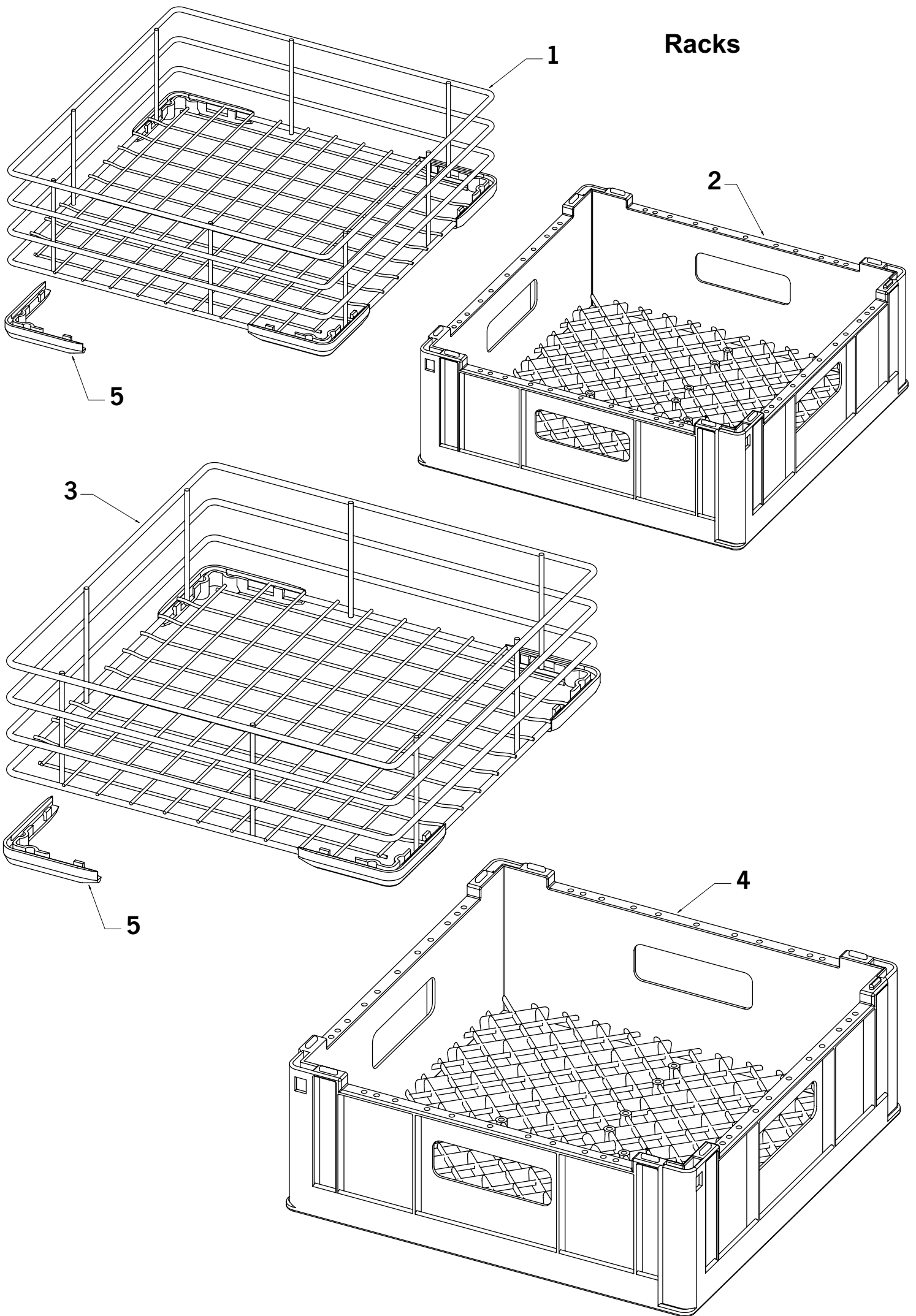
Detergent doser



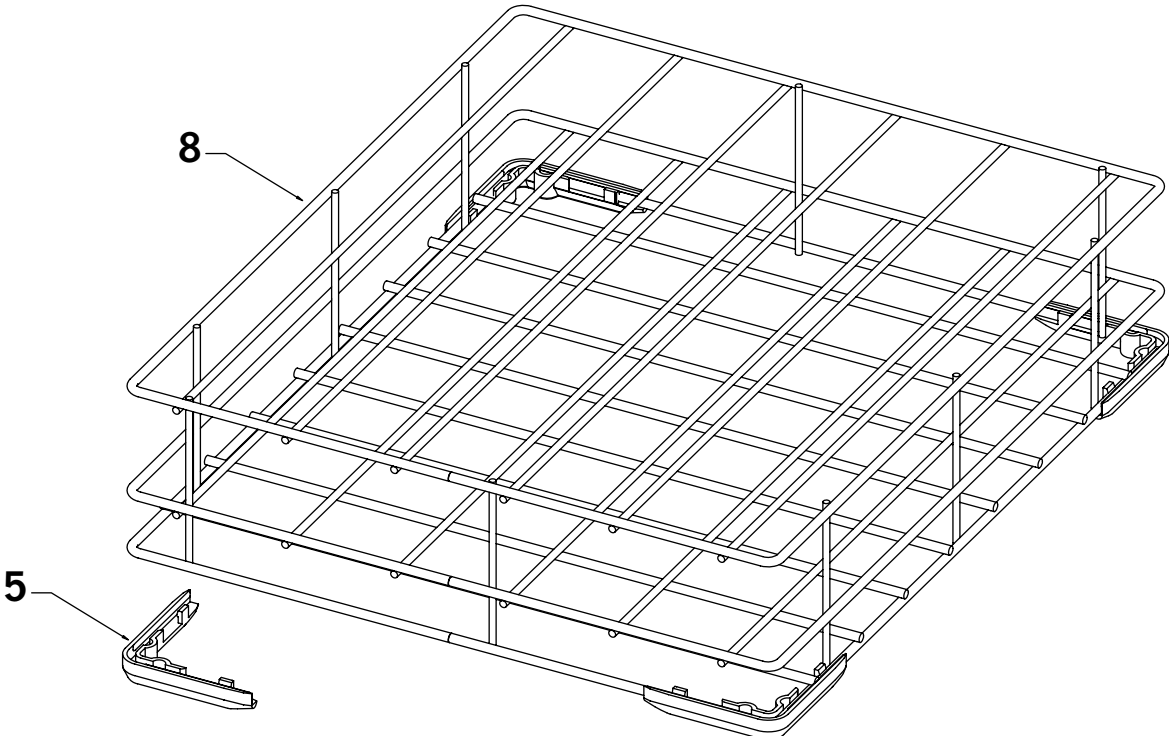
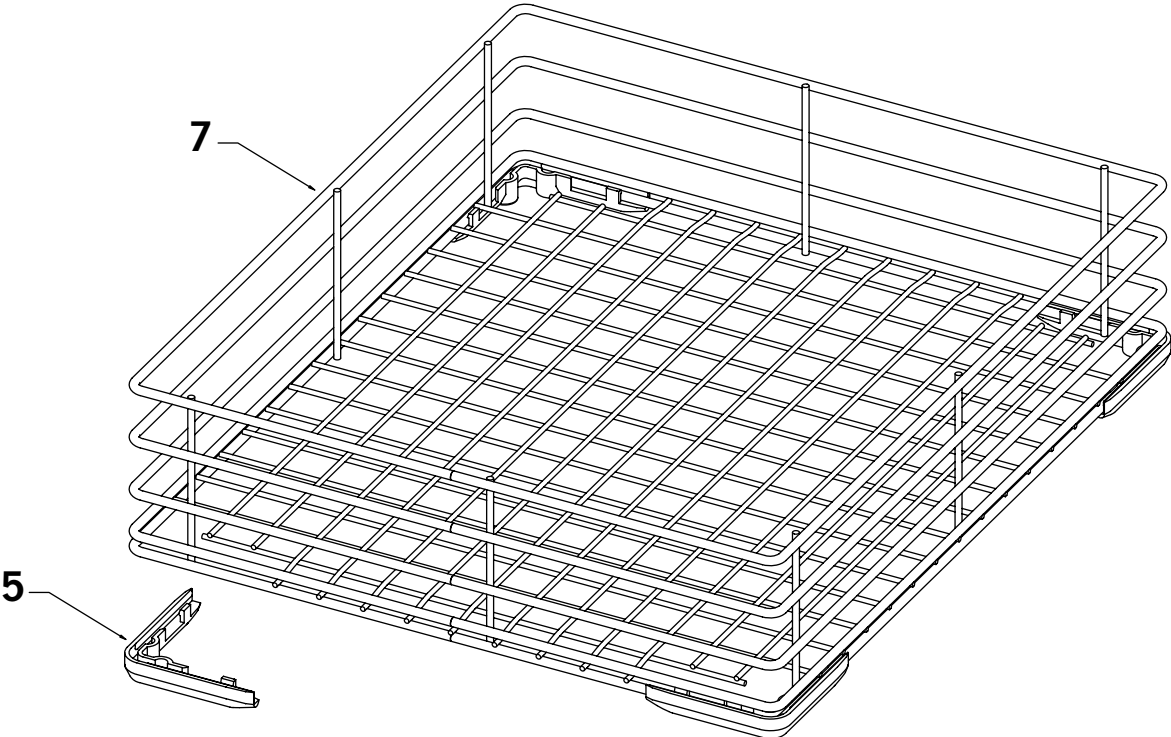
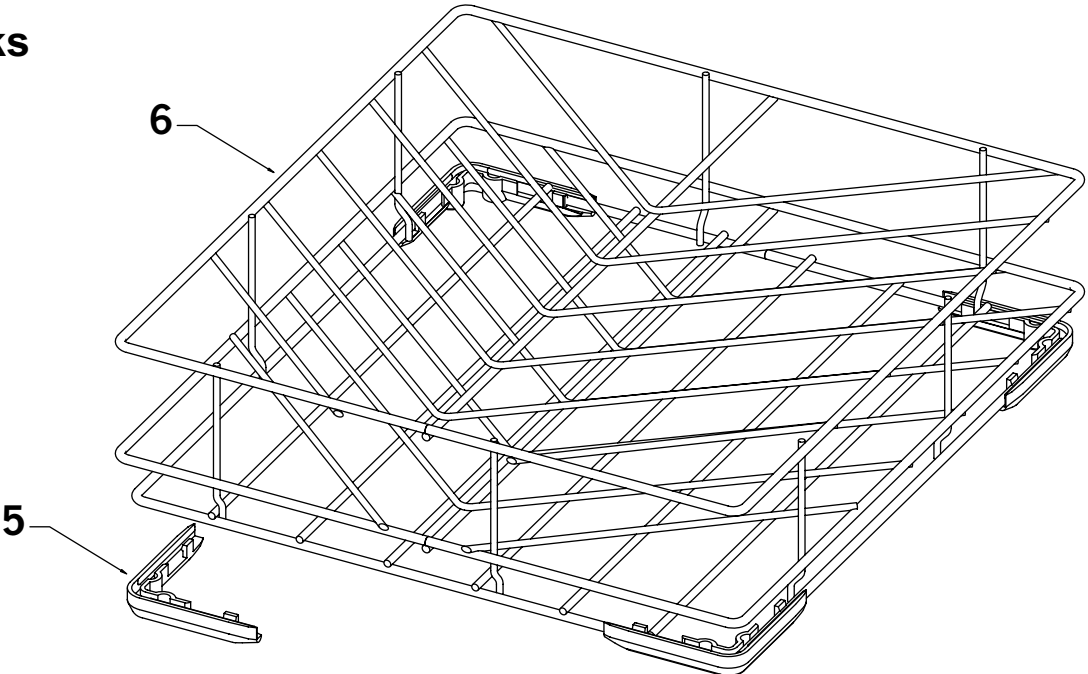
Shared Elements

| NUMBER | CODE | DENOMINATION |
|--------|----------|---|
| 1 | A040282G | DRAINING HOSE 2 MTS. (LC-3800/4200) |
| 1 | A040280 | DRAIN HOSE 1,5 M LC-80/140/1000/1500/1700/2000/2300/2300TR/2600/2800) |
| 2 | A040283 | WATER INTAKE HOSE (LC-3800/4200) |
| 2 | A040281 | 1,5 M WATER INTAKE HOSE (LC-80/140/1000/1500/1700/2000/2300/2300TR/2600/2800) |
| 3 | A020015 | DRAIN PUMP |
| 4 | A040067 | AUTOMATIC DETERGENT DOSER |
| 5 | A700113 | RINSING AID LIQUID TANK |
| 6 | A040219 | RINSING AID LIQUID TANK GUIDE |
| 7 | A060163 | RINSE AID LIQUID TANK ZINCING WASHER 4M |
| 8 | A060001 | NUT GALVANIZED M4 |
| 9 | A200002 | RINSE AID FILTER ASSEMBLY |
| 10 | A040037 | FLAT RUBBER GASKET 15*8*2 |
| 11 | A040126 | RINSE AID LIQUID FILTER TANK CONNECTOR |
| 12 | A050007 | RINSING AID LIQUID STEEL LATICE FILTER |
| 13 | A040038 | RINSE AID FILTER INTERIOR RUBBER GASKET |
| 14 | A040127 | RINSING AID LIQUID OUTLET CONNECTOR |
| 15 | A040325 | RINSING AID LIQUID DOSER PLASTIC FILTER |
| 16 | A070303 | NYLON Q-TIES REF.: 2221 |
| 17 | A050190 | STAINLESS STEEL DOOR STOP REF.20X15-0,8 |
| 18 | A040105 | PLASTIC TUBE |
| 19 | A040224 | RINSING AID LIQUID TANK (LC-80/140) |

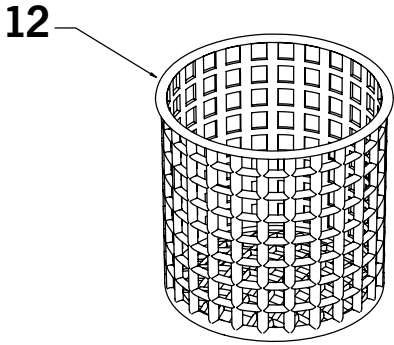
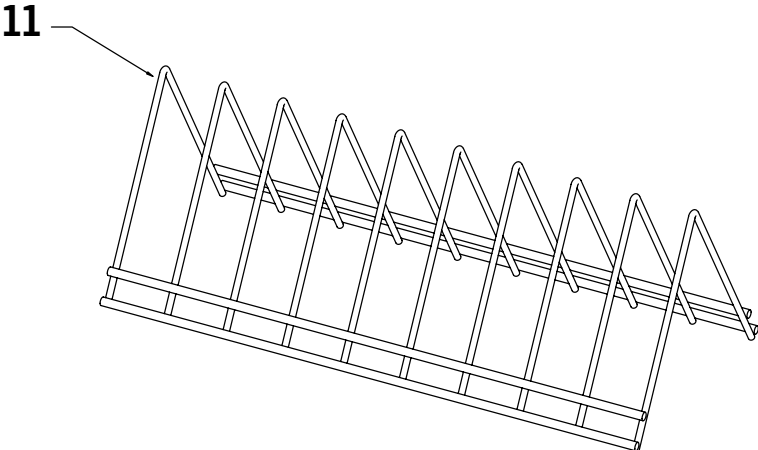
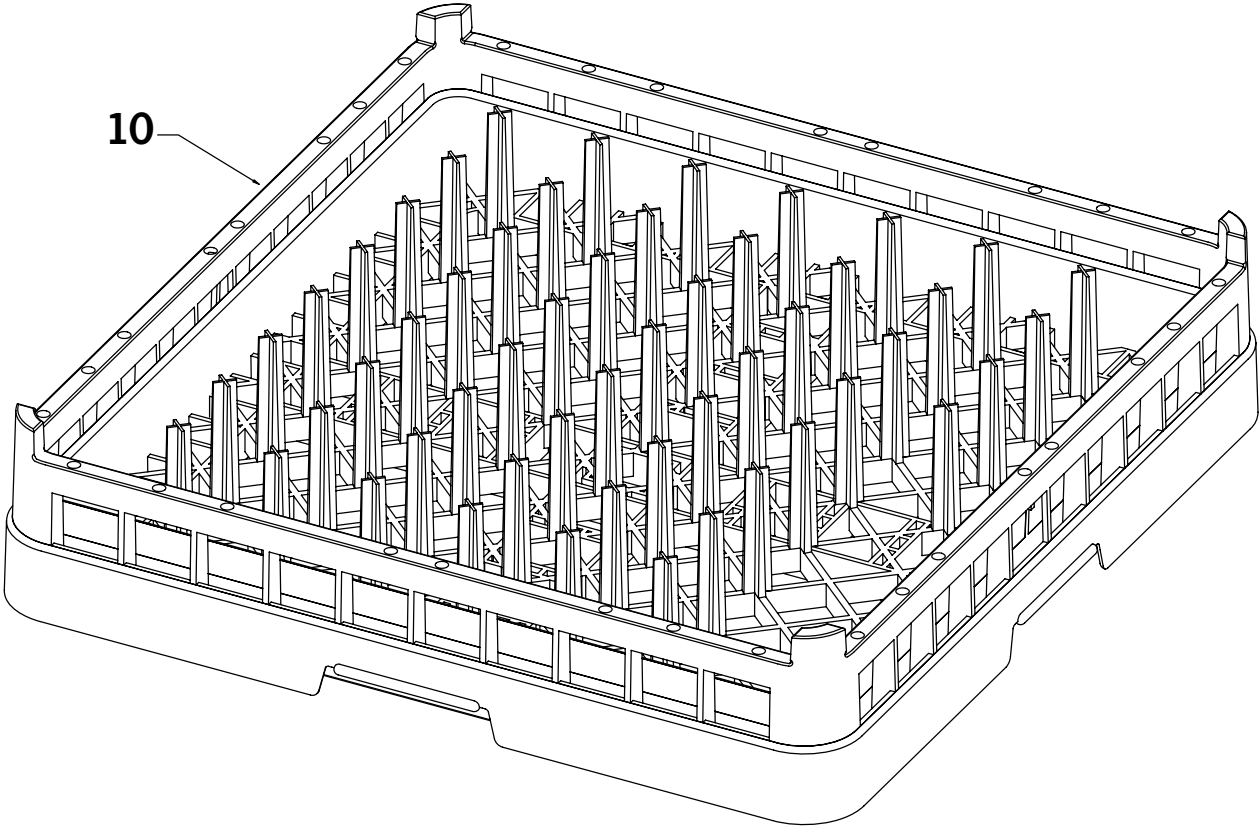
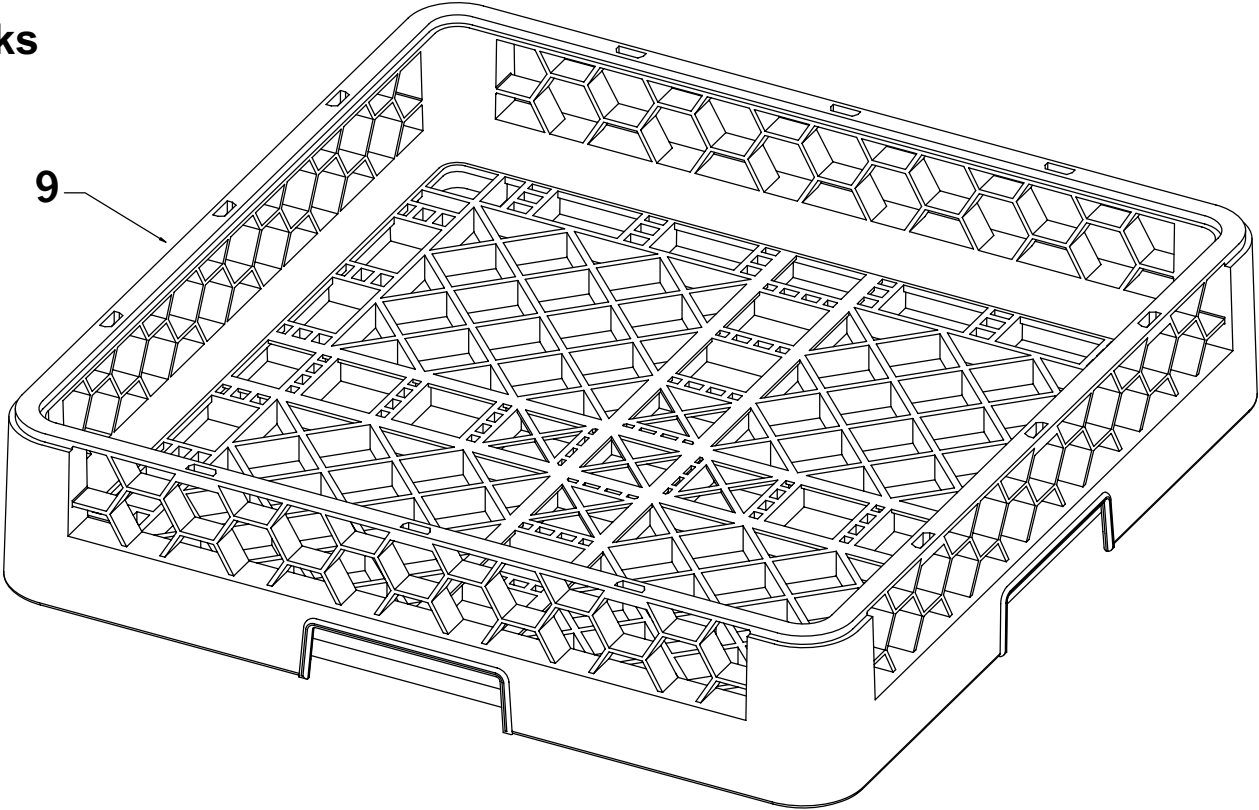
Racks



Racks



Racks



Racks

| NUMBER | CODE | DENOMINATION |
|--------|----------|---|
| 1 | A050350 | RACK FOR GLASSES (RODS) (OPTIONAL LC-80/1000) |
| 2 | A050350P | RACK FOR GLASSES (PLASTIC) (LC-80/1000) |
| 3 | A050306 | WIRE RACK FOR GLASSES (400X400) (OPTIONAL LC-140/1500/1700) |
| 4 | A050306P | RACK FOR GLASSES (PLASTIC) (LC-140/1500/1700) |
| 5 | A040242 | PLASTIC CORNERS (LC-80/1000/1500/1700/2000) |
| 6 | A050341 | WIRE RACK FOR SMALL SIZE COFFEE DISHES (LC-1700 AND OPTIONAL FOR LC-1500) |
| 7 | A050307 | WIRE RACK FOR GLASSES LC-2000 |
| 8 | A050320 | WIRE RACK FOR DISHES LC-2000 |
| 9 | A050308 | RACK FOR GLASSES (PLASTIC) 500X500 (LC-2300/2300TR/2600/2800/3800/4200) |
| 10 | A050321 | RACK FOR DISHES (PLASTIC) 500X500MM (LC-2300/2300TR/2600/2800/3800/4200) |
| 11 | A050345 | SMALL RACK FOR DISHES (LC-80/140/1000/1500/3800/4200) |
| 12 | A050346 | CUTLERY BASKET (FOR ALL MODELS) |