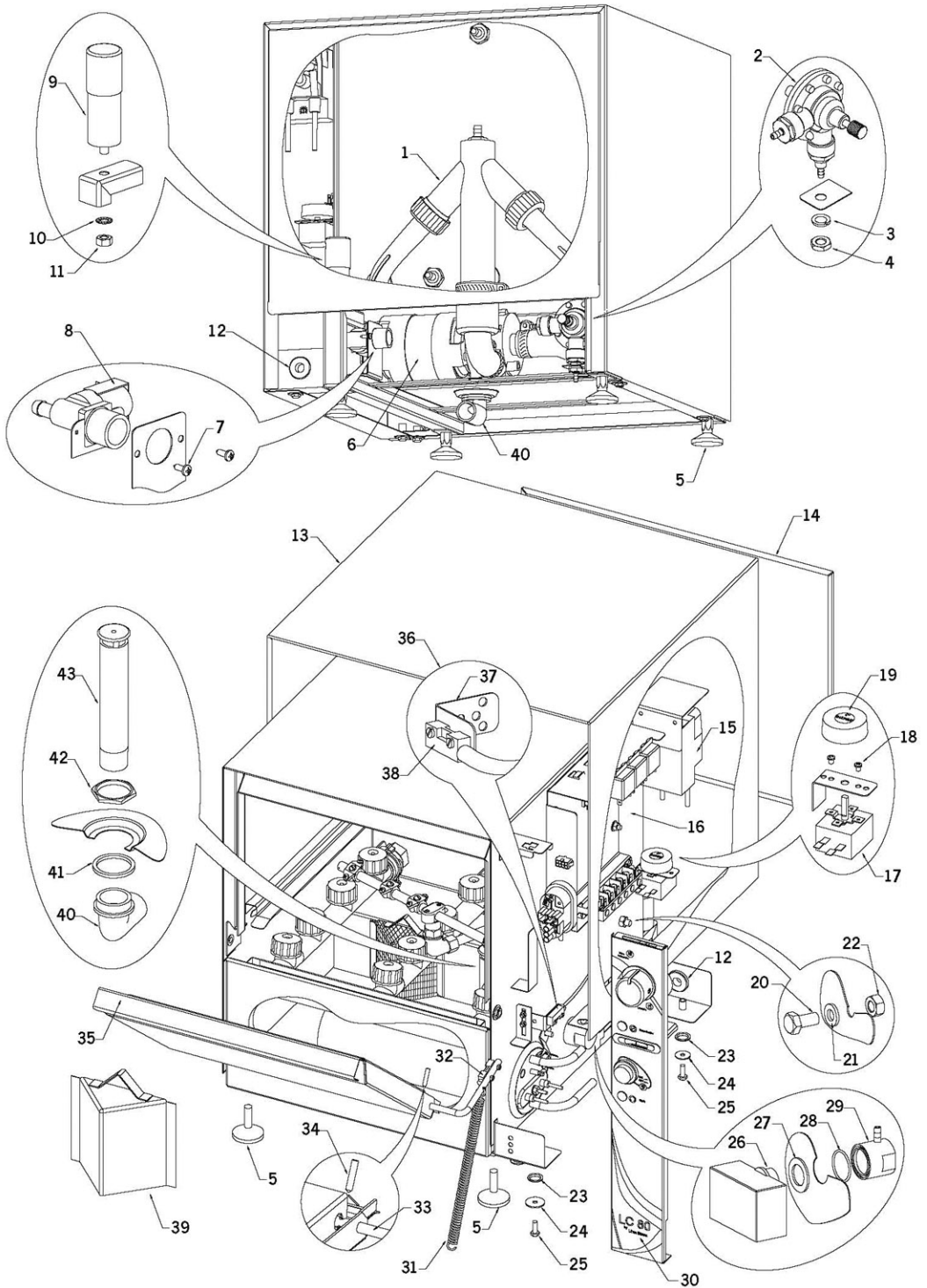


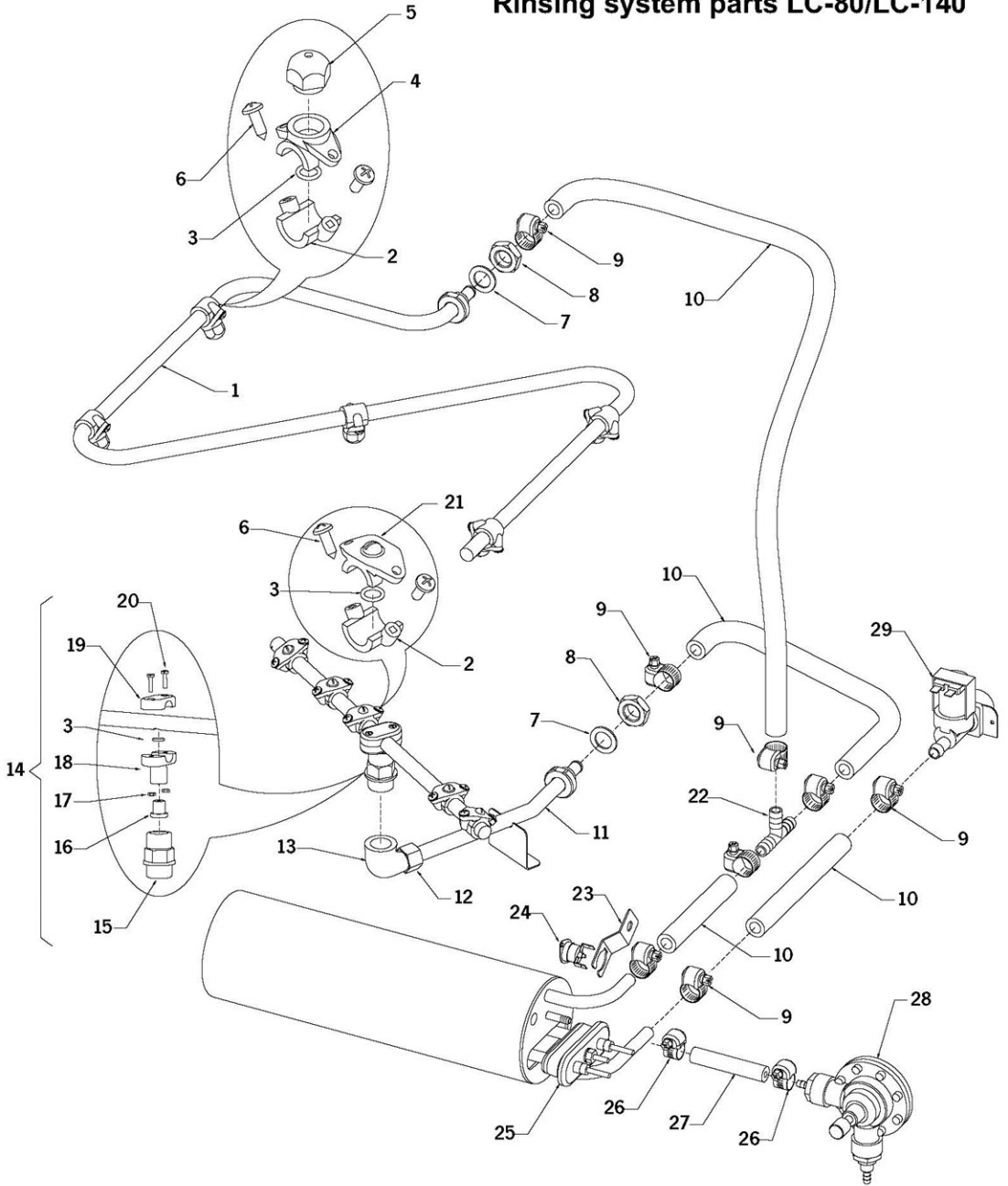
Mechanical parts LC-80/LC-140



Mechanical parts LC-80/LC-140

NUMBER	CODE	DENOMINATION
1	A400019	DISTRIBUTOR LC-80
1	A400023	LOWER DISTRIBUTOR ASSEMBLY LC-140/1000
2	A200001/2	RINSE AID LIQUID DOSER FILTER ASSEMBLY
3	A060155	GALVANISED GROWER WASHER M10
4	A060023E	STAINLESS STEEL GRIP NUT DIN 936 M10
5	A060112	ZINZING SCREW M10*40 (ADJUSTABLE FEET)
6	A020006	0,15 HP PUMP
6	A020002	0,5 HP PUMP
7	A060123	DISPENSER STAINLESS STEEL SCREW C/EX. M6*55
8	A020030	1-WAY SOLENOID VALVE
9	A030304	0.15 HP PUMP CONDENSER
9	A030301	1/2 HP & 3/4 H PUMP CONDENSER
10	A060152	HANDLE INNER M8 TOOTHED WASHER
11	A060003	NUT GALVANIZED M8
12	A040301	WIRE CARRIER (LC-80/140/1000/1500/1700/2000/2300/2300TR/2600)
13	A700201	OUTER COVER LC-80
13	A700214	OUTER COVER LC-140
14	A700268	REAR COVER LC-80
14	A700271	REAR COVER LC-140
15	A040067	AUTOMATIC DETERGENT DOSER
16	A320046	ELECTRIC PANEL ASSEMBLY LC-80/140
17	A030067	THERMOSTAT
18	A060078	GALVANIZED SCREW C/R M4*5
19	A030068	0-90° THERMOSTATIC CONTROL
20	A060104	STAINLESS STEEL SCREW M8*10 C/E
21	A040037	FLAT RUBBER GASKET 15*8*2
22	A060022	STAINLESS STEEL BOILER HEATING ELEMENT FIXING NUT M8
23	A011091F1	14*10*1,2 INOX WASHER (LC-80)
24	A709109	GOITI WASHER GAL. 20° 6,25 (LC-80)
25	A060089	FAN SUPPORT SETSCREW M6*16 C/EX (LC-80)
26	A040308	PRESSURE SWITCH HOOD BODY
27	A040043	PRESSURE SWITCH HOOD RUBBER GASKET
28	A040024	PRESSURESTAT HOOD O-RING 33*29*2
29	A040304	PRESSURE SWITCH HOOD HEAD
30	A320019/1	CONTROL PANEL ASSEMBLY LC-80 WITH TEMPERATURE INDICATOR
30	A320014/1	CONTROL PANEL ASSEMBLY LC-140 WITH TEMPERATURE INDICATOR
31	A060065	DOOR SHAFT SPRING
32	A030252	MAGNET (ALL MODELS)
33	A050006	STAINLESS STEEL LC-80 DOOR AXLE
33	A050008	STAINLESS STEEL LC-140 DOOR AXLE
34	A060252	M5 THREADED PIN
35	A300023	FRONT DOOR LC-80
35	A300014	FRONT DOOR LC-140
36	A460002	MAGNETIC SWITCH WITH SUPPORT
37	A4600022F4	MAGNETIC SWITCH SUPPORT
38	A030250	MAGNETIC SWITCH
39	A430006	PUNCHED STEEL FILTER LC-80/140
40	A040125	OUTER THREAD DRAIN ELBOW
41	A040059	DRAIN KLINGERIT GASKET
42	A060030I	LC-80/140 DRAIN CONNECTOR STAINLESS STEEL NUT
43	A040211	130 MM DRAIN PLUG

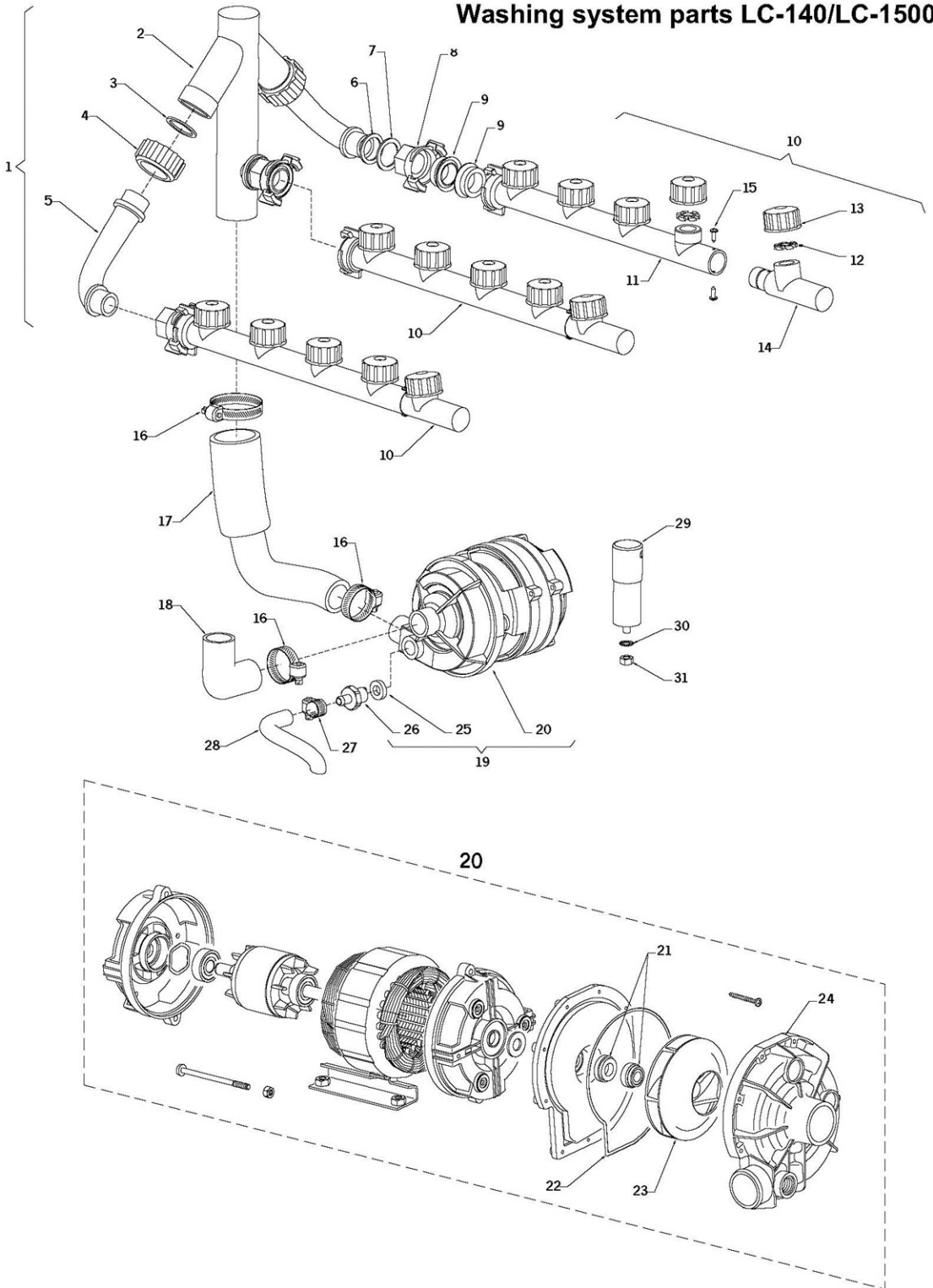
Rinsing system parts LC-80/LC-140



Rinsing system parts LC-80/LC-140

NUMBER	CODE	DENOMINATION
1	A220019I	STAINLESS STEEL UPPER RINSE SHAFT ASSEMBLY LC-80
1	A220014I	STAINLESS STEEL UPPER RINSE SHAFT ASSEMBLY LC-140
2	A040075	RINSE INJECTOR SUPPORT
3	A040029	O-RING 6,07*1,78
4	A040076	FIXED RINSE INJECTOR SUPPORT
5	A040080	RINSE INJECTOR
6	A060123	DISPENSER STAINLESS STEEL SCREW C/EX. M6*55
7	A040040	RINSE CONNECTOR FLAT GAKET
8	A060027E	STAINLESS STEEL GRIP NUT DIN 936 M16
9	A060171	HYDRAULIC TUBE CLAMP
10	A040101	HYDRAULIC CIRCUIT HOSE
11	A210019I	STAINLESS STEEL LOWER RINSE SHAFT ASSEMBLY LC-80
11	A210014I	STAINLESS STEEL LOWER RINSE SHAFT ASSEMBLY LC-140
12	A050082I	FIXING NUT LOWER RINSING SHAFT
13	A040073	ELBOW WITH PLASTIC THREAD 1/2 GAS
14	A230019I	STAINLESS STEEL ROTATING SHAFT ASSEMBLY LC-80
14	A230021I	STAINLESS STEEL ROTATING SHAFT ASSEMBLY LC-140/1700/2000
15	A040225	ROTATING SHAFT SUPPORT
16	A050102	ROTATING SHAFT FIXING SCREW
17	A060019	MAGNETIC SWITCH FASTENING WASHER DIN 934 A-2 M3
18	A040078	ROTATORY SHAFT LOWER FLY WHEEL
19	A040077	ROTATORY SHAFT UPPER FLY WHEEL
20	A060117	STAINLESS STEEL SCREW DIN.84 A2 M3*12
21	A040074	ROTATORY RINSE INJECTOR
22	A040262	T-SPLICE REF. 33RT 10/11
23	A000412F2	BOILER SAFETY THERMOSTAT FASTENING
24	A030067/1	BOILER SAFETY THERMOSTAT T40-95°C
25	A030021	2000 W HEATING ELEMENT (LC-80)
25	A030022	2700 W HEATING ELEMENT (LC-140)
26	A060170	8/16 CLAMP
27	A040100	13 X 5 RUBBER TUBE
28	A200001/2	RINSE AID LIQUID DOSER FILTER ASSEMBLY
29	A020030	1-WAY SOLENOID VALVE

Washing system parts LC-140/LC-1500



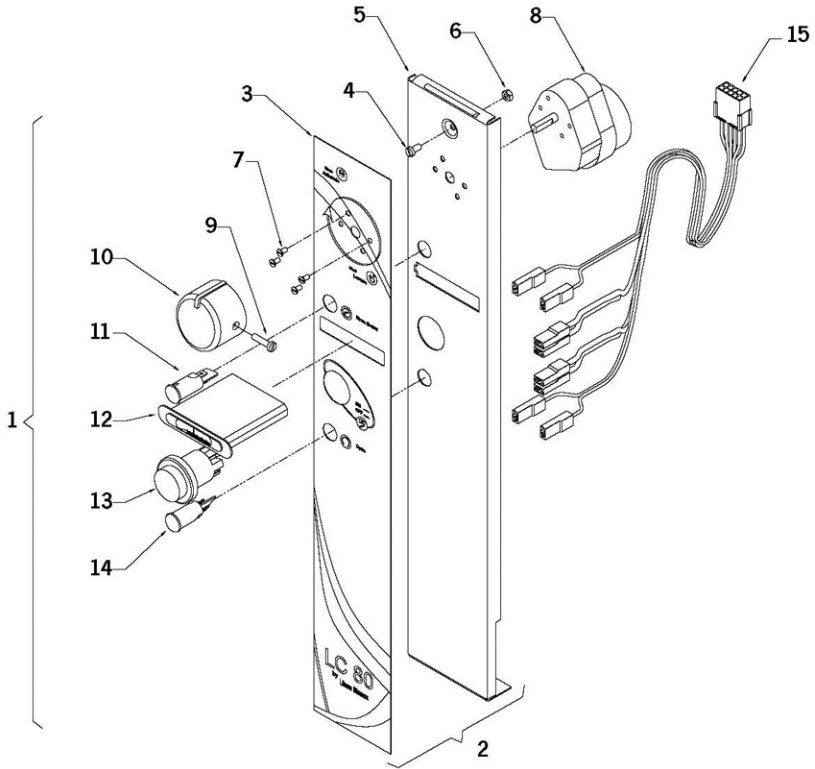
Washing system parts LC-140/LC-1500

NUMBER	CODE	DENOMINATION
1	A400023	LOWER DISTRIBUTOR ASSEMBLY LC-140/1000
1	A400020	LOWER DISTRIBUTOR ASSEMBLY LC-1500
2	A4000231F2	SHORT DISTRIBUTOR LC-140/1000
2	A040231	LOWER DISTRIBUTOR (LC-1500)
3	A040042	DISTRIBUTOR ELBOW INNER FLAT GASKET
4	A040144	DISTRIBUTOR ELBOW HOLD DOWN NUT
5	A040161	DISTRIBUTOR ELBOW
6	A040012	FLAT RUBBER CLAMPING 34*26*2 EXT. D
7	A040057	PRESSURE CONNECTOR FLAT GASKET KLINGERIT
8	A040143	BAYONET TYPE NUT
9	A040050	WASH SHAFT TAPERED GASKET
10	A280014	WASH SHAFT ASSEMBLY LC-140
10	A280020	WASH SHAFT ASSEMBLY LC-1500
11	A040250	WASH SHAFT LC-140/1500
12	A040179	4MM D. JET STAR
12	A040178	3MM D. JET STAR
13	A040201	WASH SHAFT JET PLUG
14	A040311	WASH SHAFT SPLICE
15	A060123	DISPENSER STAINLESS STEEL SCREW C/EX. M6*55
16	A060173	DRAIN TUBE FASTENING CLAMP
17	A040165	PUMP DISCHARGE ELBOW
18	A040164	PUMP INTAKE ELBOW 1/2 & 3/4 HP
19	A330002	1/2HP PUMP ASSEMBLY WITH RACCORD
20	A020002	0,5 HP PUMP
21	A020040	PUMP SHAFT RETAINER
22	A020942	PUMP COVER GASKET
23	A020911	PUMP IMPELLER
24	A020901	PLASTIC PUMP COVER 1/2HP Y 3/4HP
25	A040058	PRESSURE CONNECTOR FLAT GASKET
26	A050041I	RINSING AID LIQUID DOSER IMPULSE STARTER STAINLESS STEEL CONNECTOR FROM MODEL LC-1700 UP TO LC-4200
27	A060171	HYDRAULIC TUBE CLAMP
28	A040101	HYDRAULIC CIRCUIT HOSE
29	A030301	1/2 HP & 3/4 H PUMP CONDENSER
30	A060152	HANDLE INNER M8 TOOTHED WASHER
31	A060003	NUT GALVANIZED M8

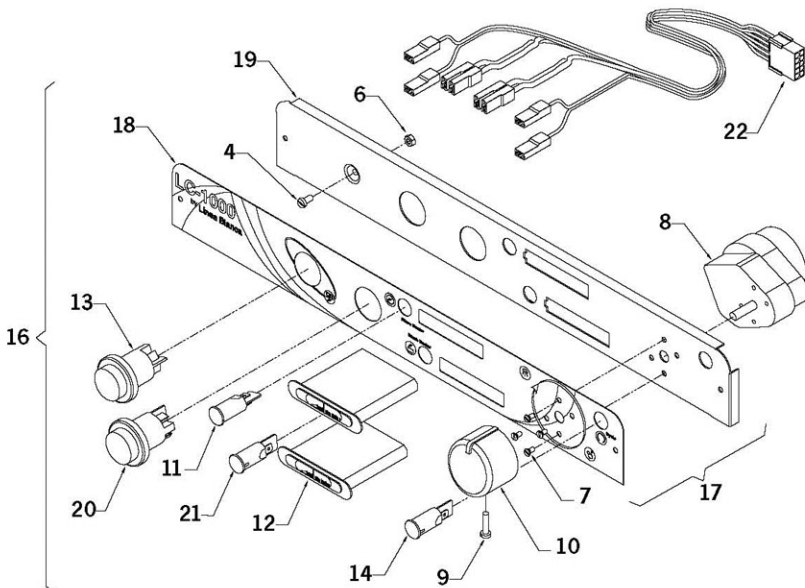
Electrical Panel LC-80 to LC-2600

NUMBER	CODE	DENOMINATION
1	A320046	ELECTRIC PANEL ASSEMBLY LC-80/140
2	A3200462F3	ELECTRIC PANEL FOLDED SUPPORT FROM LC-80/140
3	A030055	POWER RELAY
4	A030057	DIN ADAPTOR
5	A030056	MINI-RELAY
6	A030062	CENTRAL OUTLET PRESSURE SWITCH
7	A030113	TERMINAL STRIP GIBI FV122B (5 POLOS+TT)
8	A060092	GALVANIZED SCREW M5*10 C/E
9	A060050	NUT GALVANIZED M5
10	A060079	RELAY SETSCREW M4 *8/10
11	A060001	NUT GALVANIZED M4
12	A370060	MAIN CABLE BUNDLE LC-80/140
13	A320047	ELECTRIC PANEL ASSEMBLY LC-1000
13	A320048	ELECTRIC PANEL ASSEMBLY LC-1500/1700
13	A320049	ELECTRIC PANEL ASSEMBLY LC-2000/2300
13	A320051	ELECTRIC PANEL ASSEMBLY LC-2600
14	A3200472F3	ELECTRIC PANEL FOLDED SUPPORT FROM LC-1000 TO LC-2600
15	A370061	MAIN CABLE BUNDLE LC-1000
15	A370062	MAIN CABLE BUNDLE LC-1500/1700
15	A370063	MAIN CABLE BUNDLE LC-2000/2300
15	A370064	MAIN CABLE BUNDLE LC-2600

Control Panel LC-80/LC-140



Control Panel LC-1000/LC-1500/LC-1700/LC-2000 LC-2300/LC-2300TR/LC-2600/LC-2800

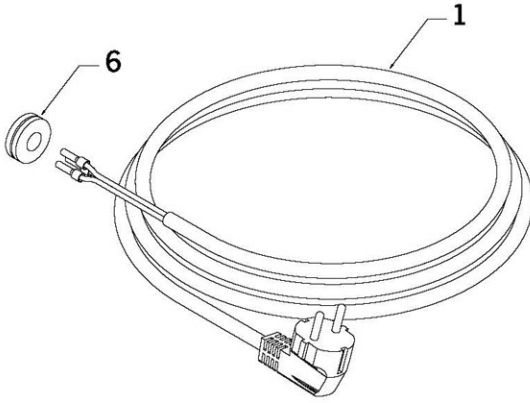


Control Panel LC-80 to LC-2800

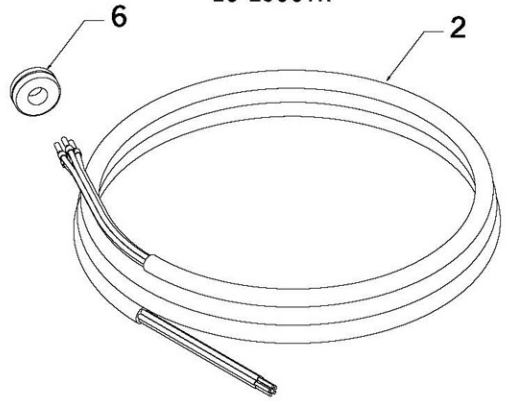
NUMBER	CODE	DENOMINATION
1	A320019/1	CONTROL PANEL ASSEMBLY LC-80 WITH TEMPERATURE INDICATOR
1	A320014/1	CONTROL PANEL ASSEMBLY LC-140 WITH TEMPERATURE INDICATOR
2	A700020/1	CONTROL PANEL (FOR TEMPERATURE INDICATOR) ASSEMBLY LC-80 (WITHOUT COMPONENTS)
2	A700026/1	CONTROL PANEL (FOR TEMPERATURE INDICATOR) ASSEMBLY LC-140 (WITHOUT COMPONENTS)
3	A070709T	THERMOMETER CONTROL PANEL STICKER LC-80
3	A070701T	THERMOMETER CONTROL PANEL STICKER LC-140
4	A060079	RELAY SETSCREW M4 *8/10
5	A3200192F3/1	FOLDED PANEL LC-80 FOR TEMPERATURE INDICATORS WITHOUT COMPONENTS
5	A3200142F3/1	FOLDED PANEL LC-140 WITH TEMPERATURE INDICATOR
6	A060001	NUT GALVANIZED M4
7	A060100	PROGRAMMER SETSCREW M3*6 D963
8	A030060	PROGRAMMER
9	A060114	STAINLESS STEEL SCREW DIN 84 M4*16
10	A080073	TIMER ROTATION BUTTON
11	A030097	RED PILOT LIGHT D222 220VFAST.6,3 LED
12	A030087	RECTANGULAR LIQUID EXPANSION THERMOMETER
13	A030049C	GREEN ROUND SWITCH WITH PROTECTOR
14	A030098	AMBER PILOT LIGHT D222 220VFAST.6,3 LED
15	A370050	CONTROL PANEL CABLE BUNDLE LC-80/140
16	A320024/1	CONTROL PANEL ASSEMBLY LC-1000 WITH TEMPERATURE INDICATORS
16	A320020/1	CONTROL PANEL ASSEMBLY LC-1500 WITH TEMPERATURE INDICATORS
16	A320015/1	CONTROL PANEL ASSEMBLY LC-1700 WITH TEMPERATURE INDICATORS
16	A320021/1	CONTROL PANEL ASSEMBLY LC-2000 WITH TEMPERATURE INDICATORS
16	A320017/1	CONTROL PANEL ASSEMBLY LC-2300 WITH TEMPERATURE INDICATORS
16	A320016/1	CONTROL PANEL ASSEMBLY LC-2300TR WITH TEMPERATURE INDICATORS
16	A320022/1	CONTROL PANEL ASSEMBLY LC-2600 WITH TEMPERATURE INDICATORS
16	A320023/1	CONTROL PANEL ASSEMBLY LC-2800 WITH TEMPERATURE INDICATORS
17	A700015/1	CONTROL PANEL (FOR TEMPERATURE INDICATOR) ASSEMBLY LC-1000 (WITHOUT COMPONENTS)
17	A700016/1	CONTROL PANEL (FOR TEMPERATURE INDICATOR) ASSEMBLY LC-1500 (WITHOUT COMPONENTS)
17	A700022/1	CONTROL PANEL (FOR TEMPERATURE INDICATOR) ASSEMBLY LC-1700 (WITHOUT COMPONENTS)
17	A700017/1	CONTROL PANEL (FOR TEMPERATURE INDICATOR) ASSEMBLY LC-2000 (WITHOUT COMPONENTS)
17	A700021/1	CONTROL PANEL (FOR TEMPERATURE INDICATOR) ASSEMBLY LC-2300 (WITHOUT COMPONENTS)
17	A700023/1	CONTROL PANEL (FOR TEMPERATURE INDICATOR) ASSEMBLY LC-2300TR (WITHOUT COMPONENTS)
17	A700018/1	CONTROL PANEL (FOR TEMPERATURE INDICATOR) ASSEMBLY LC-2600 (WITHOUT COMPONENTS)
17	A700019/1	CONTROL PANEL (FOR TEMPERATURE INDICATOR) ASSEMBLY LC-2800 (WITHOUT COMPONENTS)
18	A070710T	THERMOMETER CONTROL PANEL STICKER LC-1000
18	A070707T	THERMOMETER CONTROL PANEL STICKER LC-1500
18	A070708T	THERMOMETER CONTROL PANEL STICKER LC-1700
18	A070702T	THERMOMETER CONTROL PANEL STICKER LC-2000
18	A070703T	THERMOMETER CONTROL PANEL STICKER LC-2300
18	A070704T	THERMOMETER CONTROL PANEL STICKER LC-2300TR
18	A070705T	THERMOMETER CONTROL PANEL STICKER LC-2600
18	A070706T	THERMOMETER CONTROL PANEL STICKER LC-2800
19	A3200242F3/1	FOLDED PANEL LC-1000 FOR TEMPERATURE INDICATORS WITHOUT COMPONENTS
19	A3200202F3/1	FOLDED PANEL LC-1500/1700 FOR TEMPERATURE INDICATORS WITHOUT COMPONENTS
19	A3200172F3/1	FOLDED PANEL LC-2000/2300/2300TR FOR TEMPERATURE INDICATORS WITHOUT COMPONENTS
19	A3200222F3/1	FOLDED PANEL LC-2600/2800 FOR TEMPERATURE INDICATORS WITHOUT COMPONENTS
20	A0300492C	AMBER ROUND SWITCH WITH PROTECTOR
21	A030099	GREEN PILOT LIGHT D222 220VFAST.6,3 LED
22	A370051	CONTROL PANEL CABLE BUNDLE (FROM LC-1000 TO LC-2800)

Electrical Hose

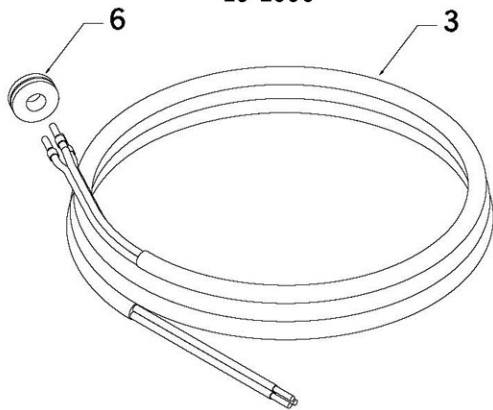
LC-80/140/1000/1500/1700/2000/2300



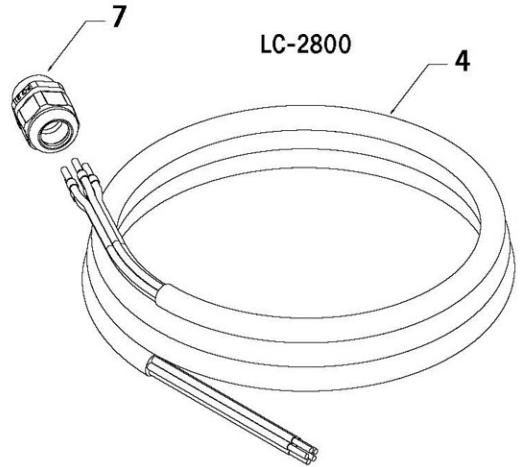
LC-2300TR



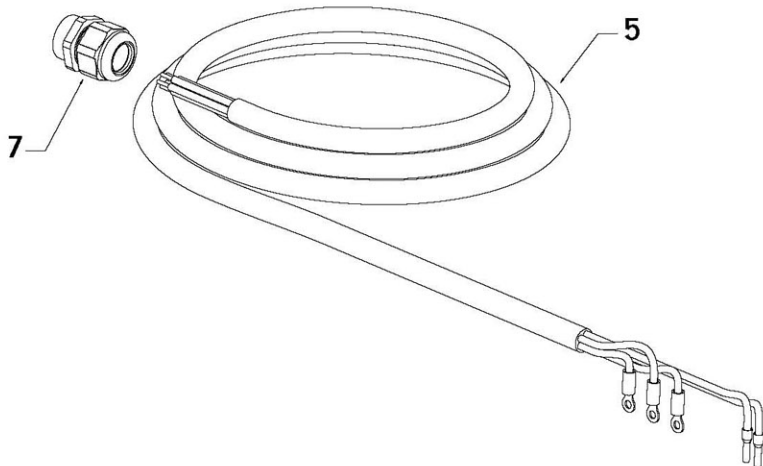
LC-2600



LC-2800



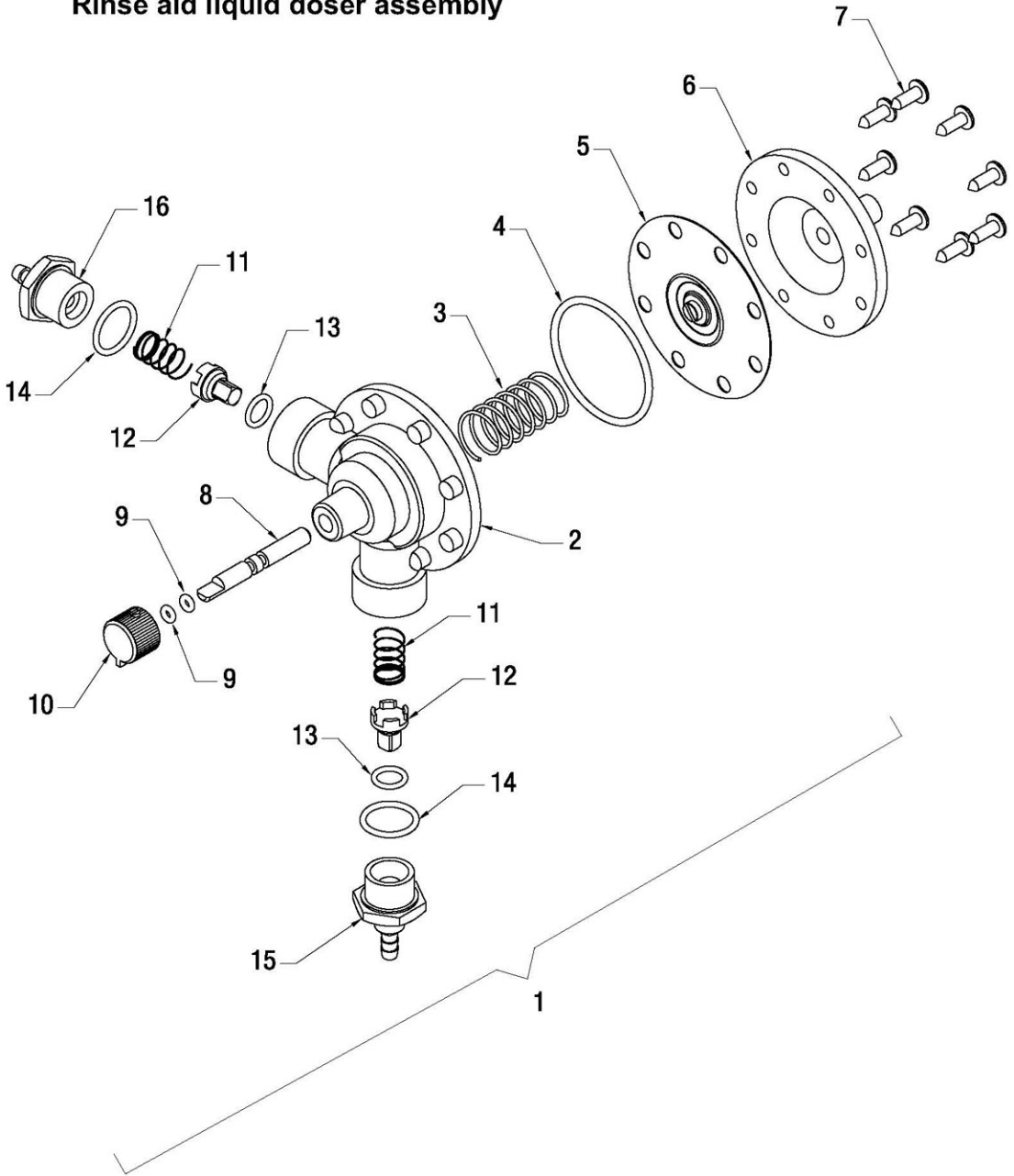
LC-3800/4200



Electrical Hose

NUMBER	CODE	DENOMINATION
1	A030083	ELECTRICAL HOSE WITH PLUG
2	A360017	ELECTRIC CONNECTION CABLE LC-2300TR
3	A360051	ELECTRIC CONNECTION CABLE LC-2600
4	A360022	ELECTRIC CONNECTION CABLE LC-2800
5	A360007	ELECTRIC CONNECTION CABLE LC-3800/4200
6	A040301	WIRE CARRIER (LC-80/140/1000/1500/1700/2000/2300/2300TR/2600)
7	A030065	HOSE CLAMP STUFFING BOX (LC-2800/3800/4200)

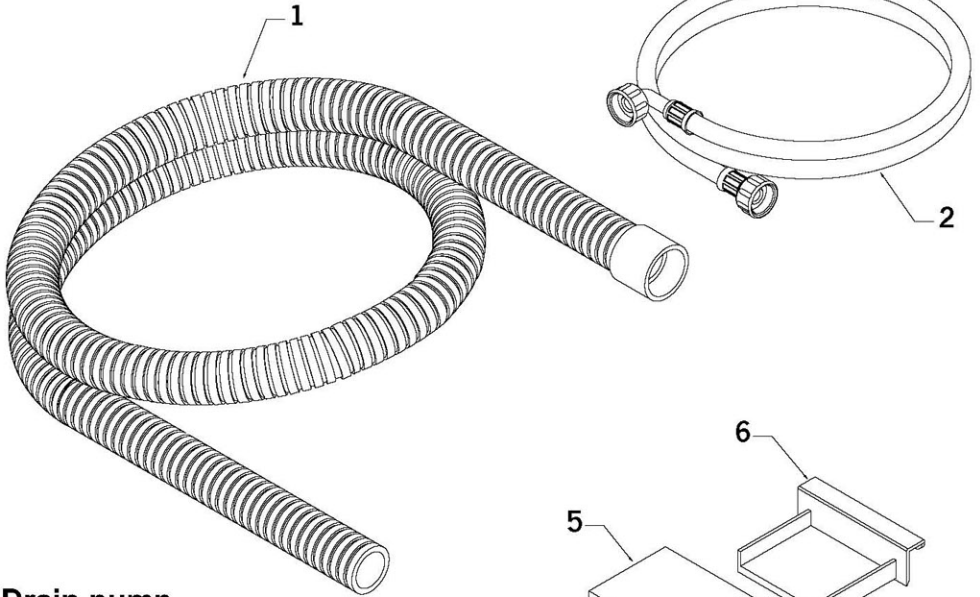
Rinse aid liquid doser assembly



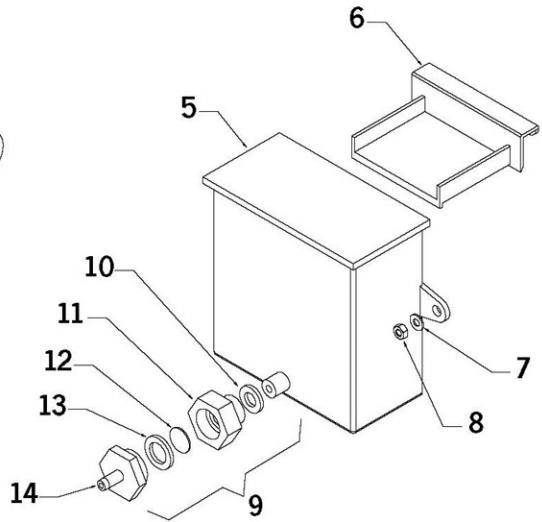
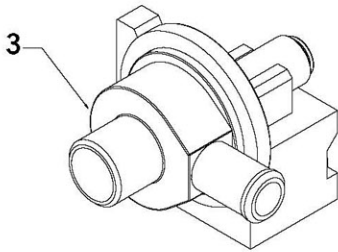
Rinse aid liquid doser assembly

NUMBER	CODE	DENOMINATION
1	A200001/2	RINSE AID LIQUID DOSER FILTER ASSEMBLY
2	A040070	DOSER PLASTIC MAIN PART
3	A060060	DIAPHRAGM SPRING H-421
4	A040025	O-RING 45*39*3
5	A700101	DIAPHRAGM ASSEMBLY
6	A040069	DOSER PLASTIC COVER
7	A060123	DISPENSER STAINLESS STEEL SCREW C/EX. M6*55
8	A050005	RINSE AID LIQUID DISPENSER ADJUSTING AXLE
9	A040020	O-RING 2,6*6,4*1,9
10	A040001	DOSER AXLE BUTTON REF4453 EJE 6 A
11	A060061	AID LIQUID DOSER VALVE SPRING
12	A050170	DISPENSER VALVE
13	A040021	O-RING 8,73*12,29*1,78
14	A040023	O-RING 20*16*2
15	A040082/2	DOSER PLASTIC ENTRY CONNECTOR
16	A040083/1	DOSER EXIT PLASTIC CONNECTOR

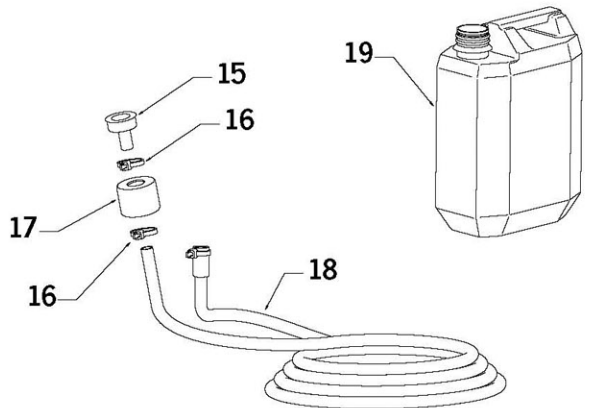
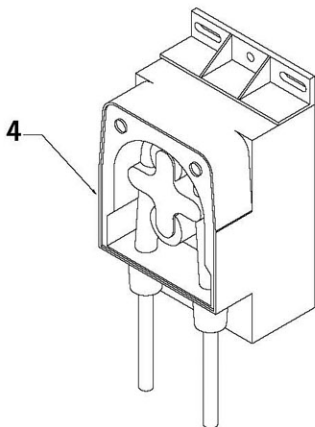
Water connections



Drain pump



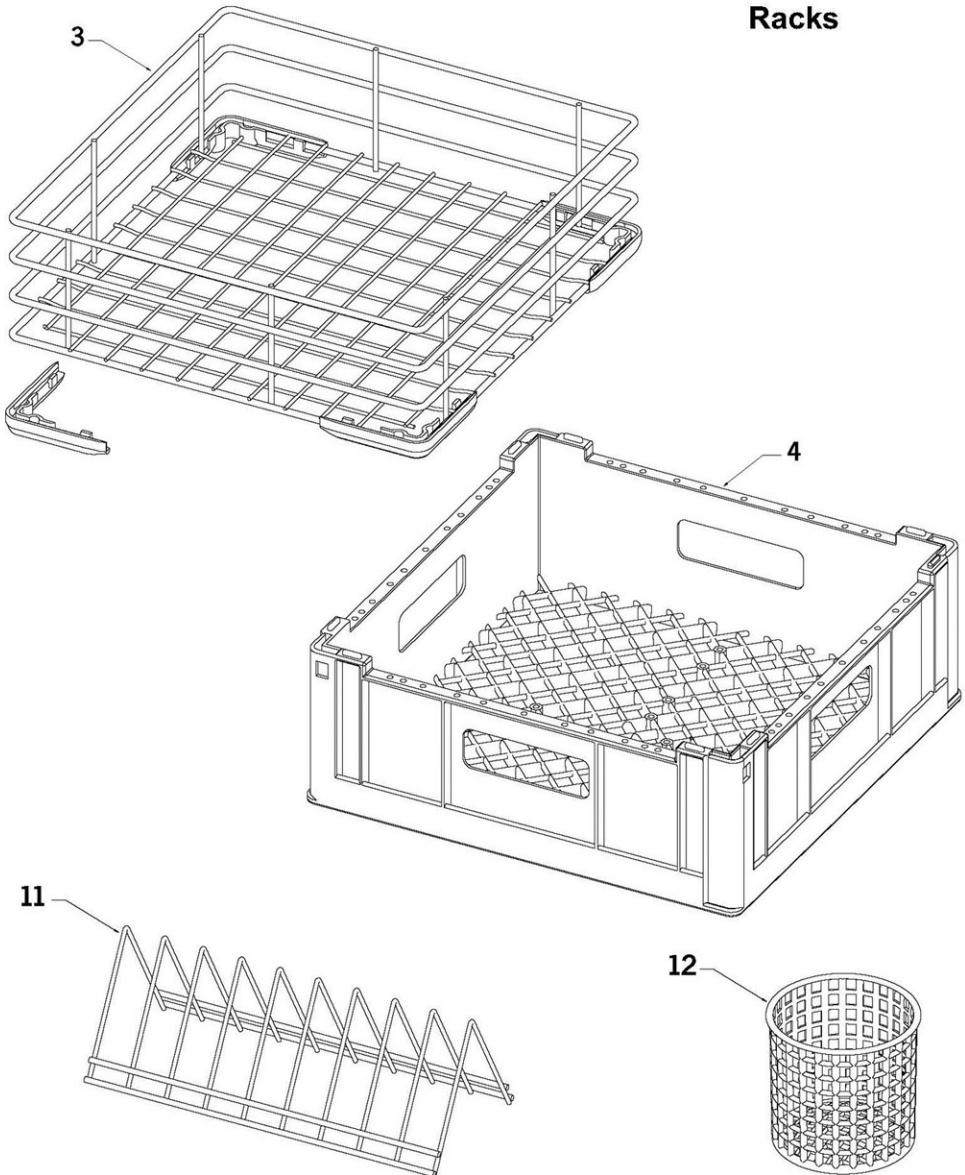
Detergent doser



Shared Elements

NUMBER	CODE	DENOMINATION
1	A040282G	DRAINING HOSE 2 MTS. (LC-3800/4200)
1	A040280	DRAIN HOSE 1,5 M LC-80/140/1000/1500/1700/2000/2300/2300TR/2600/2800)
2	A040283	WATER INTAKE HOSE (LC-3800/4200)
2	A040281	1,5 M WATER INTAKE HOSE (LC-80/140/1000/1500/1700/2000/2300/2300TR/2600/2800)
3	A020015	DRAIN PUMP
4	A040067	AUTOMATIC DETERGENT DOSER
5	A700113	RINSING AID LIQUID TANK
6	A040219	RINSING AID LIQUID TANK GUIDE
7	A060163	RINSE AID LIQUID TANK ZINCING WASHER 4M
8	A060001	NUT GALVANIZED M4
9	A200002	RINSE AID FILTER ASSEMBLY
10	A040037	FLAT RUBBER GASKET 15*8*2
11	A040126	RINSE AID LIQUID FILTER TANK CONNECTOR
12	A050007	RINSING AID LIQUID STEEL LATICE FILTER
13	A040038	RINSE AID FILTER INTERIOR RUBBER GASKET
14	A040127	RINSING AID LIQUID OUTLET CONNECTOR
15	A040325	RINSING AID LIQUID DOSER PLASTIC FILTER
16	A070303	NYLON Q-TIES REF.: 2221
17	A050190	STAINLESS STEEL DOOR STOP REF.20X15-0,8
18	A040105	PLASTIC TUBE
19	A040224	RINSING AID LIQUID TANK (LC-80/140)

Racks



NUMBER	CODE	DENOMINATION
3	A050306	WIRE RACK FOR GLASSES (400X400) (OPTIONAL LC-140/1500/1700)
4	A050306P	RACK FOR GLASSES (PLASTIC) (LC-140/1500/1700)
11	A050345	SMALL RACK FOR DISHES (LC-80/140/1000/1500/3800/4200)
12	A050346	CUTLERY BASKET (FOR ALL MODELS)