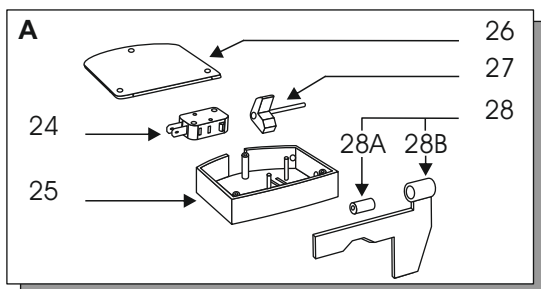
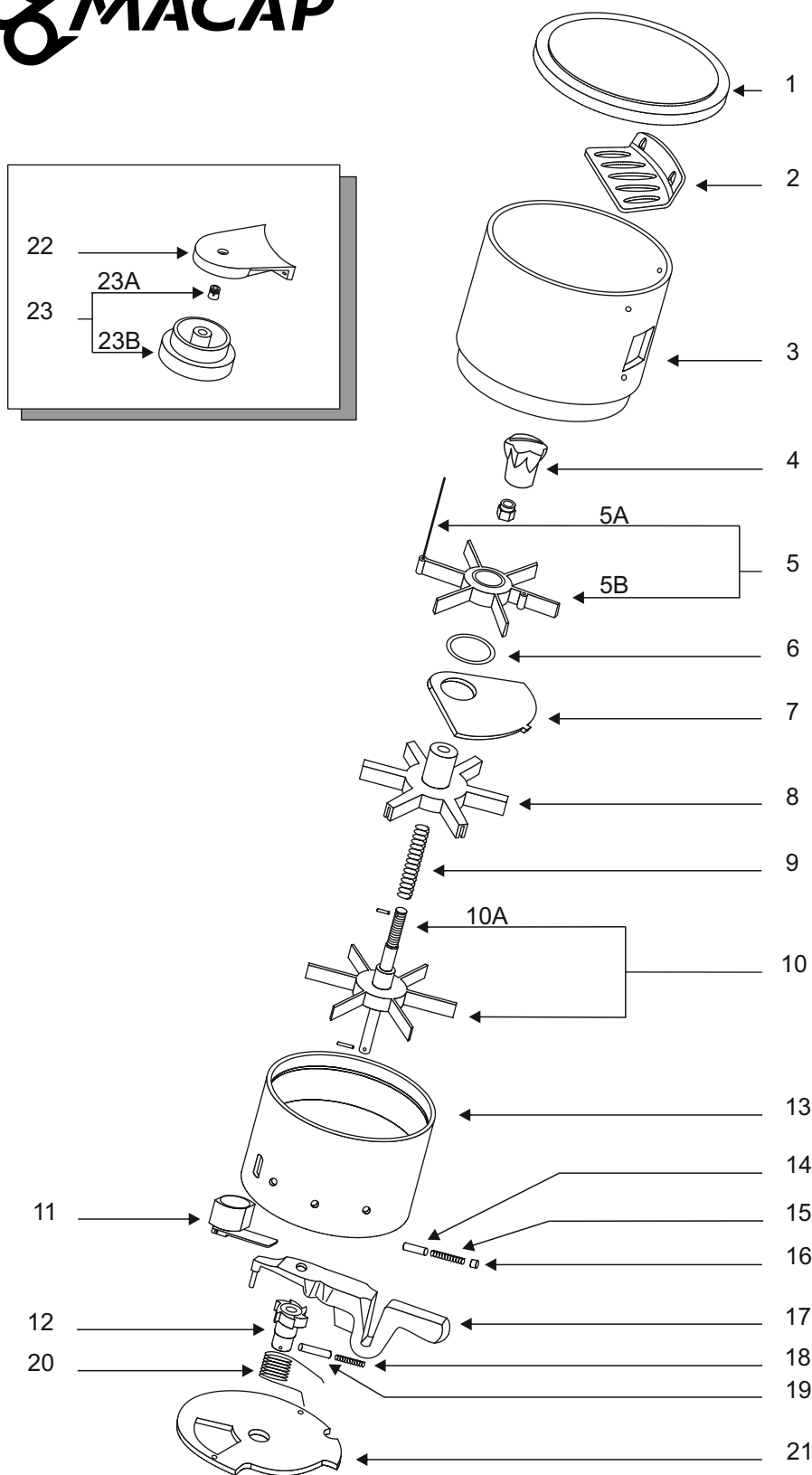


Model		
M5 plus series		

Evol.	Table	Date
1	1/3	01/01/2012

N.	Code	Features
1	C0007M104	
2	C0007M176	
2A	C0007M161A	
2B	C0007M176B	
2C	C0007M157C	
3	C0002M1091	
3A	C0007M158	
3B	C0002M109	
4	C0004M139	
5	C0004M135	
6	C0002M102	
6A	C0002M102A	
7	C0008M109	
8	C0002M108	
9	C0001M1441	
10	C00061230	230V-50Hz
	C000612301	220V-60Hz
	C000612302	110V-60Hz
11	C00061126	230V-50/60Hz
	C00061111	110V-60Hz
12	C0004M109A	
13	C0004M109	
14	C0007M115	
15	C00061611	
16	C0001M144	
	C0001M144A	/T
17	C00061021	
	C00061001	/A
18	C00061517	SHUKO
	C000615171	USA
	C000615172	UK
	C000615173	SWITZERLAND
	C000615174	AUSTRALIA
	C0006615175	BRAZIL
19	C0004M509	
20	C00071614	
21	C0007M141	
22	C00061002	230V-50/60Hz
	C00061003	110V-60Hz
23	C00061004	/T

Descriptions	
Available	
Not available	
/A	Automatic
/T	Timer
/P	Telescopic tamper



Model		
M5 plus series		

Evol.	Table	Date
1	2/3	01/01/2012

N.	Code	Features
1	C0007M105	
2	C0007M110	
3	C0007M159	
	C0007M1591	/A
4	C0007M123	
5	C0002M124	
5A	C0004M107	
5B	C0002M1243	
6	C0004M110	
7	C0004M108	
8	C0002M1241	
9	C0008M108	
10	C0002M1242	
10A	C0004M104	
11	C0009M102	
12	C0002M106	
13	C0001M104	
14	C0004M112	
15	C0008M107	
16	C0001M138	
17	C0002M103	
18	C0008M110	
19	C0004M111	
20	C0008M102	
21	C0007M138	
22	C0007M1071	
23	C0007M102A	Ø 57
	C0007M102B	Ø 52
23A	C0001M135	
23B	C0007M102	
24	C00061019	/A
25	C0007M148	/A
26	C0007M147	/A
27	C0002M132	/A
28	C0007M150A	/A
28A	C0001M134	/A
28B	C0007M149A	/A
A	C0007M139B	/A

Descriptions	
Available	
Not available	
/A	automatic
/T	timer
/P	telescopic tamper

