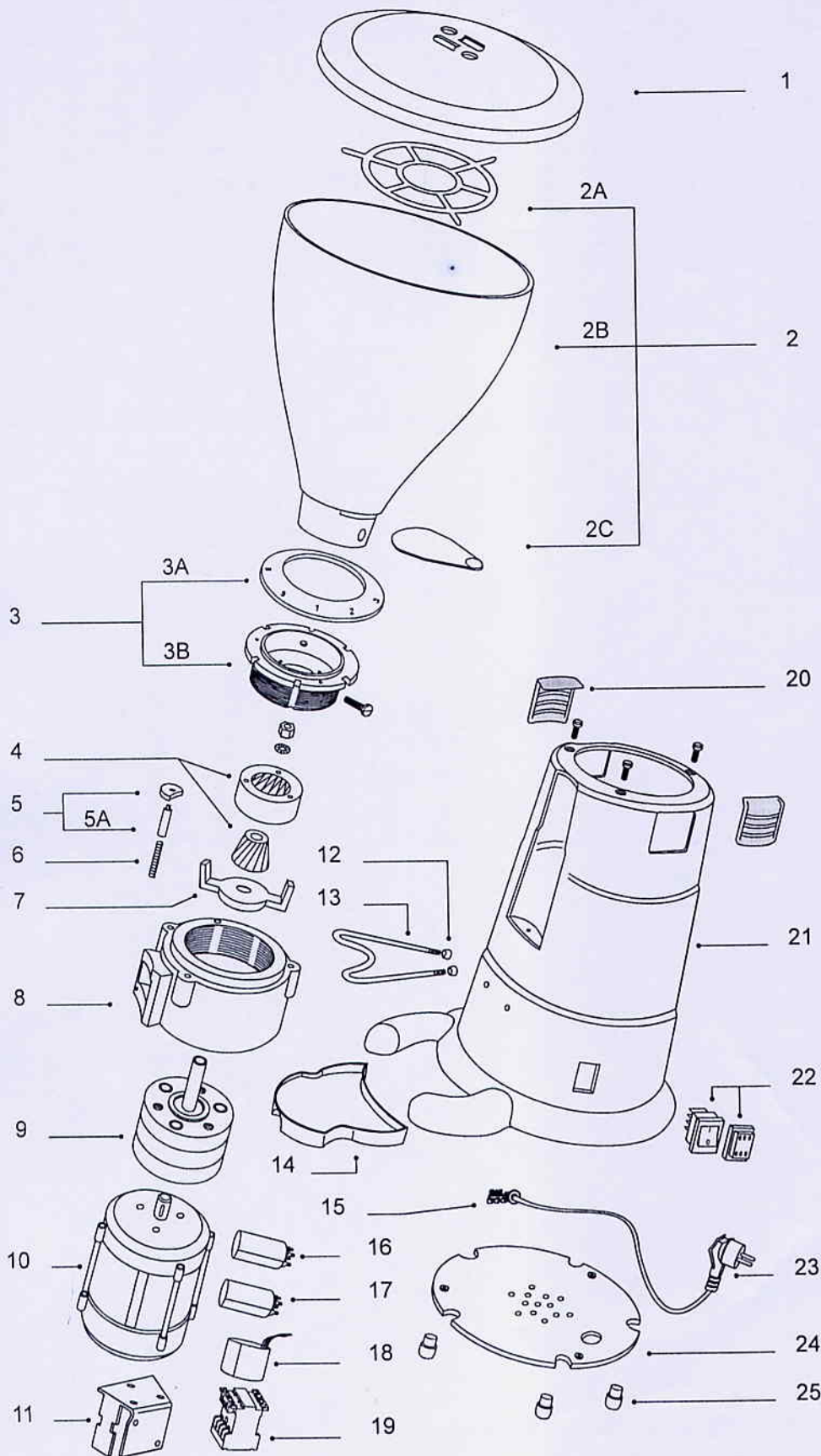




# MACAP

S.r.l.



Model		
M7K		

Evol.	Table	Date
1	1	01/01/2005

N.	Code	Features
1	C0007M114	
2	C0007M113	
2A	C0007M101B	
2B	C0007M113A	
2C	C0007M101C	
3	C0002M119	
3A	C0007M163	
3B	C0002M119A	
4	C0004M121B	
5	C0002M102	
5A	C0002M102A	
6	C0008M109	
7	C0002M120	
8	C0001M212	
9	C0004M140	
10	C00061270	230V-50Hz
	C000612701	220V-60Hz
11	C0004M141	
12	C0004M109A	
13	C0004M109	
14	C0007M7041	
15	C00061612	
16	C00061108	230V-50/60Hz
17	C00061108	230V-50/60Hz
18	C00061130	230V-50/60Hz
19	C00061002	230V-50/60Hz
	C00061003	110V-60Hz
20	C0007M141	
21	C0001M140	M7 /A
	C0001M140A	/T
22	C00061021	M7
	C00061001	/A
23	C00061517	230V-50/60Hz
	C000615171	110V-60Hz
24	C0004M7040	
25	C000716140	
26	C0001M710	/P
27	C00061004	/T

### Descriptions

/A	automatic
/T	timer
/P	telescopic tamper

AVAILABLE  
NOT AVAILABLE

