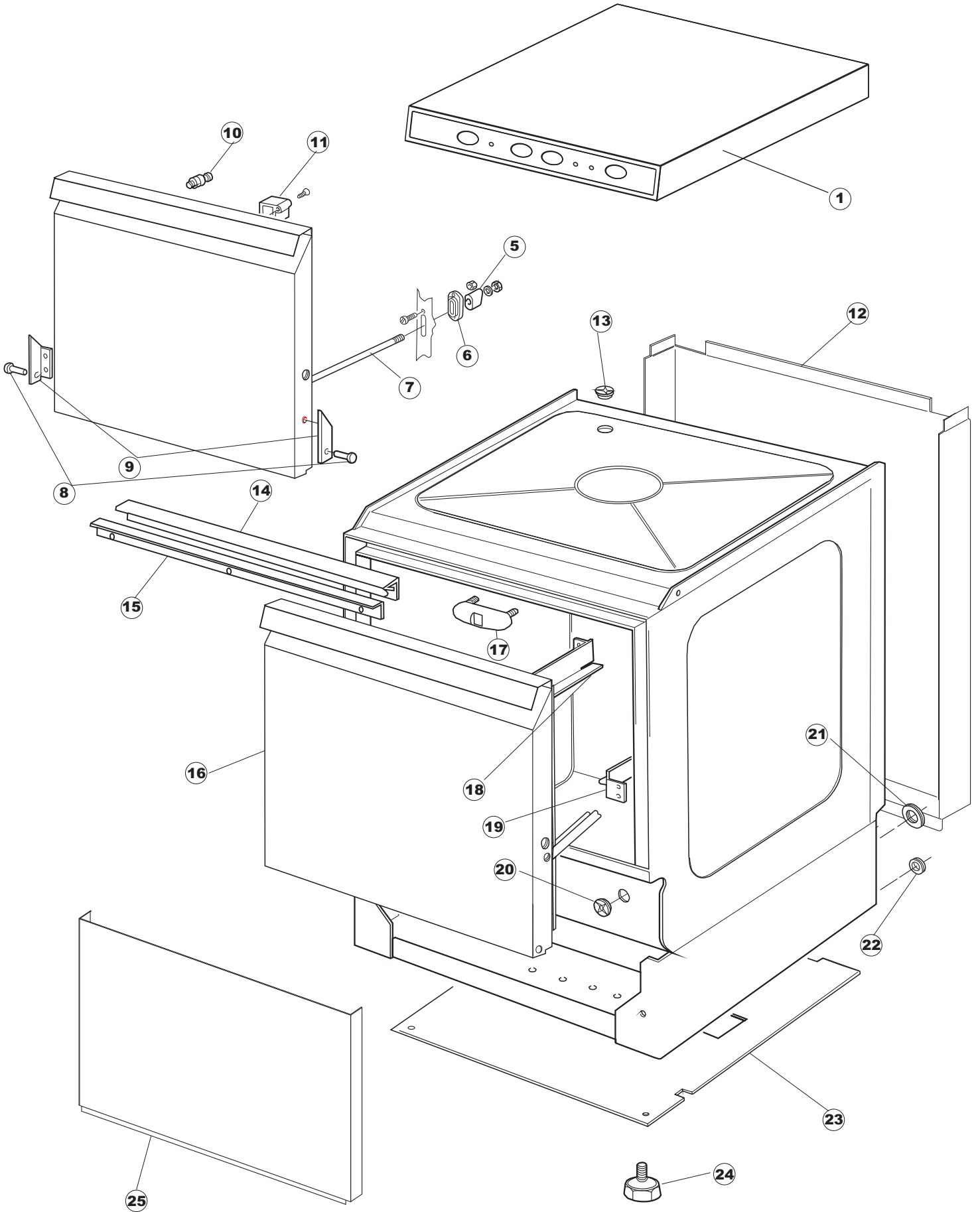


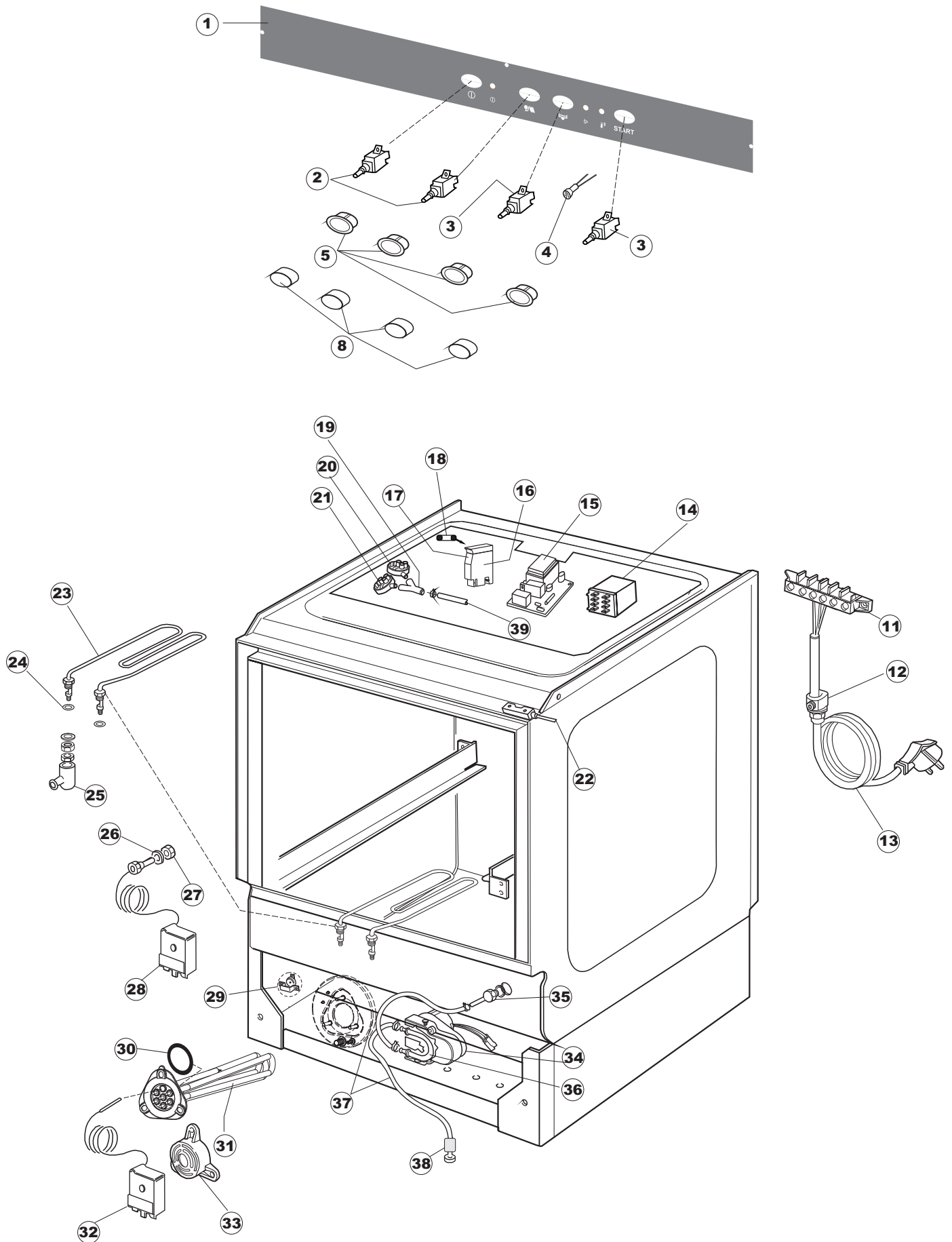
1



Listino componenti per pagina 1

1	004231	CAPPELLO 503 CAPOT SUPERIOR GEHAEUSEOBERTEIL COVER CAPERUZA	
5	417041	DADO BATTUTA SPORTELLO ECROU DE FEUILLURE PORTE POUR LAVE- SCHRAUBENMUTTER, TÜRANSCHLAG DOOR CLOSING CONTACT BETA 50 (S6198) TUERCA TOPE PUERTA	
6	307003	BATTUTA DADO ASTA SPORTELLO ECROU TIGE ARRETR PORTE ANSCHLAG, SCHRAUBENMUTTER FÜR STAB NUT OF TOP DOOR-STOP BAR TOPE TUERCA VARA	
7	304021	ASTA TIRANTE SPORTELLO PER LAVASTOVIGLIE AXES TIRANT POUR PORTE POUR LAVE- VAISSELLE STANGE, TÜRSCHIENE 50/500/453/463/503 DOOR TIE ROD FOR DISHWASHER (S6323) VARA GUIA PUERTA 50/500/453/463/503	
8	325036	PERNO PER CERNIERA SPORTELLO PER PIVOT ZAPFEN, TÜRSCHARNIER 50 PIVOT PERNO	
9	311019	CERNIERA PORTA D18/G25 CHARNIERE PORTE D18/G25 SCHARNIER, TÜR 45/46/50.. DOOR HINGE D18/G25 (S6662) BISAGRA PUERTA 45/46/50. .	
10	325066	PIOLO SERRATURA SPORTELLO ECHELON FERMETURE PORTERRES PFLOCK, SCHLOSS BETA 246/250 DOOR CLOSURE STAKE FOR GLASSWASHERS BARROTE CERRADURA BETA 246/250	
11	999108	SET PER MICROINTERRUPTORE PORTA SET POUR MICROINTERRUPTEUR PORTE MAGNET, TÜR 453/463/500/503 DOOR MICROSWITCH SET GRUPO IMAN PUERTA 453/463/500/503	
12	022095	PANNELLO POSTERIORE PANNEAU ARRIERE PLATTE, HINTEN CPL 50/503 BACK PANEL PANEL TRASERO	
13	480058	TAPPO IN GOMMA D.17 TUYAU EN ACOUTCHOUC D.17 GUMMIABDECKUNG D.17 RUBBER CAP D.17 TAPON GOMA D. 17	
14	437081	GUARNIZIONE SPORTELLO 50/505 JOINT PORTE 50/505 DICHTUNG, TÜR - 50/503 DOOR GASKET 50/505 JUNTA PUERTA - 50/503	
15	033301	SQUADRA FISSA GUARNIZIONE PORTA 55/503 EQUERRE FIXE GARNITURE PORTE 50/503 WINKEL FÜR TÜRDICHTUNG 50/503 DOOR PACKING FASTENING BRACKET 50/503 ESCUADRA FIJA JUNTA PUERTA 50/503	
16	029590	SPORTELLO PORTE TÜR DOOR PUERTA	
17	994012	SERRATURA PER SPORTELLO PER LAVASTOVI- FERMETURE PORTE POUR LAVE-VAISSELLES SCHLOSS EB/F 22/44 DOOR LOCK FOR DISHWASHERS GRUPO CERRADURA EB/F 22/44	
18	015064	GUIDA CESTO SX. GUIDE PANIER SX. KORBBAHN SX. RACK SLIDE SX. GUIA CESTA (IZQDA.)503-50 ALTA	

19	015063	GUIDA CESTO DX. GUIDE PANIER DX. KORBBAHN DX. RACK SLIDE DX. GUIA CESTA (DCHA.)503-50 ALTA	
20	480057 <i><u>Recommended spare parts</u></i>	TAPPO IN GOMMA D.14 BOUCHON EN GOMME D.14 GUMMIABDECKUNG D.14 RUBBER CAP D.14 TAPON GOMA D. 14	
21	459004	PASSACAVO PER POMPA DI SCARICO CHAUMARD POUR POMPE DE VIDANGE ROHRDURCHGANG, GUMMI DI.34 DRAIN PUMP CHOCK PASA-TUBO GOMA DE. 34	
22	459006	PASSACAVO D INT 9 D EST 16 CHAUMARD D INT 9 EST 16 KABELDURCHGANG, Di9/De16 22 CHOCK D INT 9 EST 16 PASA-CABLE Di9/De16 22	
23	030080	PROTEZIONE INFERIORE PER ZOCCOLO PER LAVABICCHIERI PROTECTION INFERIEURE POUR SOCLE POUR LAVE-VERRES SCHUTZ, UNTEN SOCKEL 50/503 UNDERPROTECTION FOR BASIS OF GLASS- WASHER PROTECCION INF. BASE 50/503	
24	461019	PIEDINO ESAGONALE REGOLABILE PER LAVA- VERRIN HEXAGONAL REGLABLE POUR LAVE- VERSTELLFUSS D30 M8 HEXAGONAL FOOT ADJUSTABLE FOR DISHWASHER PATA REGULABLE D30 M8	
25	012326	PANNELLO ANTERIORE PANNEAU AVANT FRONTPANEEL FRONT PANEL PANEL FRONTAL	



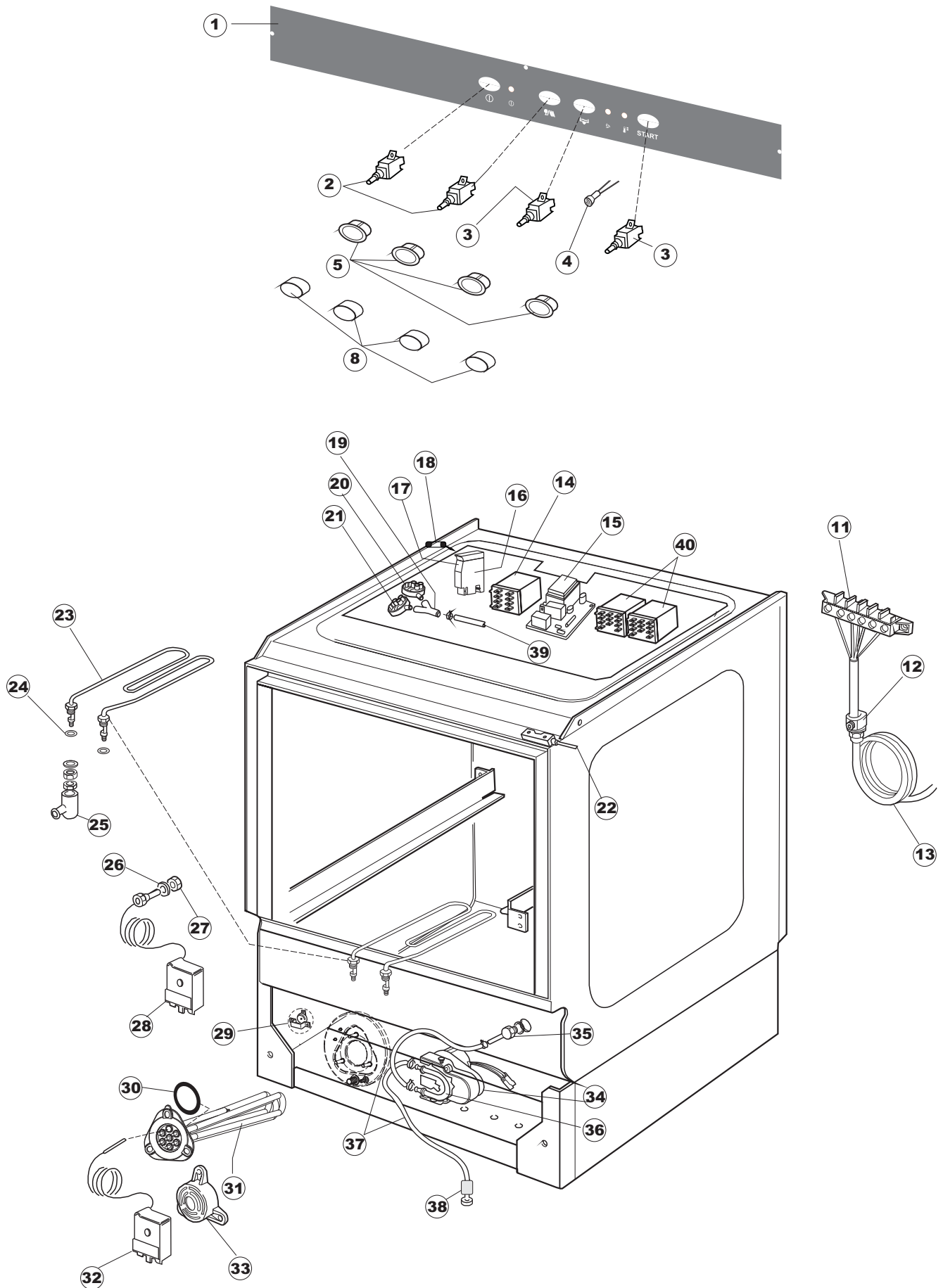
Listino componenti per pagina 2

1	026373	INTERFACCIA ADESIVA DI CONTROLLO INTERFACE ADHESIVE CONTRÔLE TASTATURFOLIE CONTROL ADHESIVE INTERFACE INTERFAZ ADHESIVA DE CONTROL	
2	208010 <i>Recommended spare parts</i>	INTERRUTTORE DOPPIO CORPS DE CONTACT SCHALTER, DOPPELT - 35/40/50 DOUBLE SWITCH DESVIADOR DOBLE	
3	226071 <i>Recommended spare parts</i>	PULSANTE DOPPIO CONTATTO CORPS DE CONTACT AVEC 2 TOUCHES DRUCKT. MIT DOPPELKONTAKT 35/40/50 CYCLE PUSH-BUTTON - 2 CONTACTS PULSADOR DOBLE CONTACTO 35/40/50	
4	216025 <i>Recommended spare parts</i>	SPIA ARANCIO LAMPE TEMOIN - NOUVELLE POUR KONTROLL-LAMPE, REIHE 24.5.0.00.04.78 LAMP LAMPARA TESTIGO SERIE 24. 5. 0. 00. 04.	
5	226127 <i>Recommended spare parts</i>	CORPO PULSANTE BOUTON CORPS Körper-Taste push button case CUERPO PULSADOR	
8	227085	TASTO.ELLIPTICO.11X21.NERO D16 BOTON drucktaste BUTTON TECLA ELIPTICA.11X21.NEGRA	
11	220011	MORSETTIERA bornier pour le raccordement * KLEMMENBRETT, 5-POLIG + ERDUNG FV.122 TERMINAL BLOCK bloque de terminales	
12	459005	SERRACAVO FIXE-CABLE KABELKLIPPS, STEAB Art.5024 CABLE-RETAINER SUJETA-CABLE	
13	299040	SPINA SCHUKO 90° CABL. 1=2,5MT FICHE SCHUKO 90° CABL.102,5 MT. ANSCHLUSSKABEL SCHUKO 230V PLUG SCHUCKO 90°- CABLE 1=2,5 MT CLAVIJA SCHUKO 90° CABL. l=2. 5mt	
14	229039 <i>Recommended spare parts</i>	RELÈ 62.82.8.230.0300 RELAIS RELAIS 62.82.8.230.0300 RELAY RELÈ 62.82.8.230.0300	
15	215029 <i>Recommended spare parts</i>	SCHEDA IGEA(88701-1060)ELT.LA50 IBRIDA CARTE ELECTRONIQUE PLATINE MAIN BOARD TARJETA electrónica	
16	210011	PIASTRINA TERMINALE SFR/PT CABUR PLAQUE PLÄTTCHEN plate placa	
17	210010	PORTAFUSIBILE AWG-SFR4(UL)CABUR PORTE-FUSIBLE SICHERUNGSHALTER FUSE-HOLDER PORTAFUSIBLE UL	
18	228010 <i>Recommended spare parts</i>	FUSIBILE 5X20 T4A RITARDATO 250V FUSIBLE SICHERUNG 5X20 T4A FUZE FISIBLE	
19	035031	TUBO Y -COLLEGAMENTO PRESSOSTATO TUYAU Y - CONNEXION PRESSOSTAT Y-VERBINDUNGSST., DRUCKSCHALTER 760 Y-PIPE - PRESSURE SWITCH CONNECTION EMPALME "Y" PRESOSTATO 760	

20	224010 <u>Recommended spare parts</u>	PRESSOSTATO SICUREZZA PRESSOSTAT de securite DRUCKSCHALTER, SICHERH. ABLASSPUMPE 110/75 SAFETY PRESSURE SWITCH PRESOSTATO SEG. BOMBA DESCARGA 110/75	Pompa scarico
21	224003 <u>Recommended spare parts</u>	PRESSOSTATO 55/35 PRESSOSTAT 55/35 DRUCKSCHALTER - 55/35 PRESSURE SWITCH (S6212) PRESOSTATO - 55/35	
22	80871 <u>Recommended spare parts</u>	MICRO MAGNETICO CONTACTE MAGNETIQUE TUERKONAKTSCHALTER MAGNETIC DOOR SWITCH CONTACTO MAGNETICO	
23	230086 <u>Recommended spare parts</u>	RESISTENZA 2700/240V PER LAVASTOVIGLIE RESISTANCE HEIZUNG, TANK 2700W/220V-3200W/240V 22/44/50 HEATING ELEMENT RESISTENCIA	
24	456011	guarnizione o-ring joint torique o-ring O-Ring 3037 O-ring junta tórica o-ring	
25	463007	PIPA DI PROTEZIONE RESISTENZA PIPE DE PROTECTION RESISTANCE FITTING, WIDERSTANDSSCHUTZ HEATING ELEMENT PROTECTION PIPE PIPA PROTECCION RESISTENCIA	
26	437030	GUARNIZIONE PER Sonda THERMOSTATO VASCA JOINT POUR SONDÉ THERMOSTAT CUVE DICHTUNG, D14D22S1.5 FASERSTOFF TANK THERMOSTAT PROBE GASKET JUNTA D14D22S1. 5 FIBRA	
27	417017	DADO DI BLOCCAGGIO PER Sonda THERMOSTATO ECROU DE SERRAGE POUR SONDÉ THERMOSTAT SCHRAUBENMUTTER, TANKTHERMOSTAT TANK THERMOSTAT PROBE LOCKING NUT TUERCA THERMOSTATO CUBETA	
28	236042 <u>Recommended spare parts</u>	TERMOSTATO VASCA THERMOSTAT CUVE THERMOSTAT, TANK TR711 Tf-53ø TANK THERMOSTAT TERMOSTATO CUBETA	
29	236047 <u>Recommended spare parts</u>	TERMOSTATO 95°C THERMOSTAT CUVE SECURITE 95°C SICHERHEITSTHERMOSTAT SAFETY TANK THERMOSTAT 95°C TERM.CONTACTO CUBETA/S.95° +/-3° SIC.	
30	456002	guarnizione o-ring joint torique o-ring O-Ring 48x6,2 O-ring junta tórica o-ring	
31	230116 <u>Recommended spare parts</u>	RESISTENZA BOILER 3000W/230V RESISTEANCE CHAUDIERE HEIZUNG 3000W/230V BOILER HEATING ELEMENT RESISTENCIA CALDERIN	
32	236043 <u>Recommended spare parts</u>	TERMOSTATO BOILER TR711 TF-83° THERMOSTATE SURCHAUFFEUR THERMOSTAT, BOILER TR711 Tf-83ø ADJUSTABLE BOILER THERMOSTAT TERMOSTATO CALENTADOR TR711 Tf-83°	
33	69870	PROTEZIONE RESISTENZA BOILER PROTECTION RESISTANCE BOILER HEIZUNGSCHUETZ DES WARMWASSERBEREITERS BOILER HEATING ELEMENT PROTECTION PROTECCION RESISTENCIA CALENTADOR	
34	209029 <u>Recommended spare parts</u>	DOSATORE DETERGENTE distributeur de détergent PERISTAKTISCHES DOSIERGERÄT REINIGER detergent dispenser dispensador de detergente	Optional

35	468151	RACCORDO DETERSIVO VASCA RACCORD EN ACIER INOXYDABLE ENTREE' TANKEINLAUF CPL NM* STAINLESS STEEL INLET DETERGENT ELBOW, EMPALME ENTRADA JABON CPL NM * SOLDADO	
36	143258 <i><u>Recommended spare parts</u></i>	TUBO "SANTOPRENE" CON RACCORDO TUYAU "SANTOPRENE" MEMBRANSCHLAUCH SANTOPREN "SANTOPRENE" PIPE TUBITO SANTOPRENE	
37	143194 <i><u>Recommended spare parts</u></i>	TUBO 4x6 CRISTAL TRASPARENTE TUYAU SCHLAUCH 4X6 CRISTAL, DURCHS. PIPE MANGUITO	
38	121993	GRUPPO FILTRO+ZAVORRA DOSATORE filtre distributeur FILTERANORDNUNG filter aid dispenser filtro dispensador	
39	143013 <i><u>Recommended spare parts</u></i>	TUBO PVC VERDE 4X7 TUYAU SCHLAUCH PVC GRÜN 4X7 PIPE MANGUITO	

3

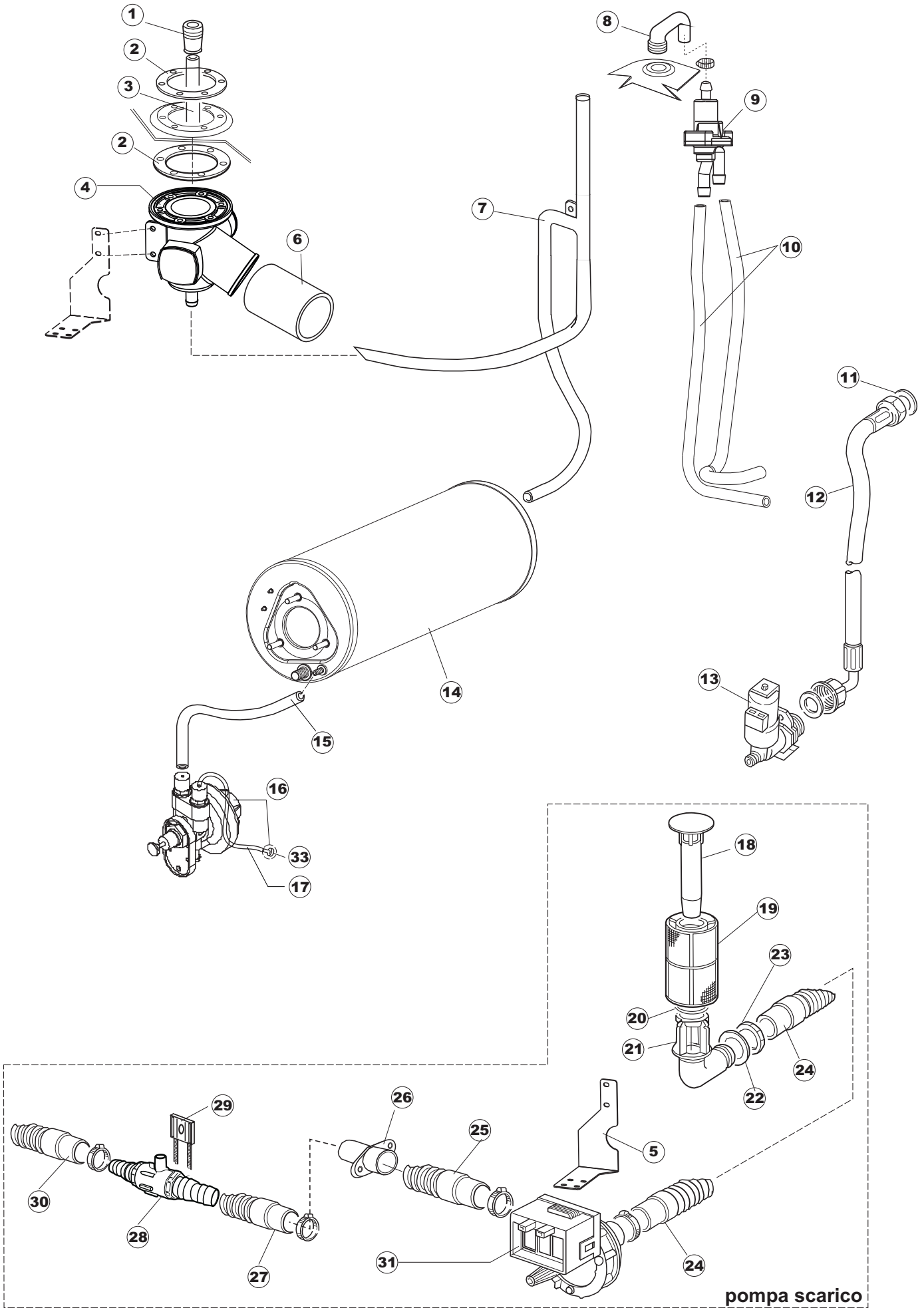


Listino componenti per pagina 3

1	026373	INTERFACCIA ADESIVA DI CONTROLLO INTERFACE ADHESIVE CONTRÔLE TASTATURFOLIE CONTROL ADHESIVE INTERFACE INTERFAZ ADHESIVA DE CONTROL	
2	208010 <i>Recommended spare parts</i>	INTERRUTTORE DOPPIO CORPS DE CONTACT SCHALTER, DOPPELT - 35/40/50 DOUBLE SWITCH DESVIADOR DOBLE	
3	226071 <i>Recommended spare parts</i>	PULSANTE DOPPIO CONTATTO CORPS DE CONTACT AVEC 2 TOUCHES DRUCKT. MIT DOPPELKONTAKT 35/40/50 CYCLE PUSH-BUTTON - 2 CONTACTS PULSADOR DOBLE CONTACTO 35/40/50	
4	216025 <i>Recommended spare parts</i>	SPIA ARANCIO LAMPE TEMOIN - NOUVELLE POUR KONTROLL-LAMPE, REIHE 24.5.0.00.04.78 LAMP LAMPARA TESTIGO SERIE 24. 5. 0. 00. 04.	
5	226127 <i>Recommended spare parts</i>	CORPO PULSANTE BOUTON CORPS Körper-Taste push button case CUERPO PULSADOR	
8	227085	TASTO.ELLIPTICO.11X21.NERO D16 BOTON drucktaste BUTTON TECLA ELIPTICA.11X21.NEGRA	
11	220011	MORSETTIERA bornier pour le raccordement * KLEMMENBRETT, 5-POLIG + ERDUNG FV.122 TERMINAL BLOCK bloque de terminales	
12	459005	SERRACAVO FIXE-CABLE KABELKLIPPS, STEAB Art.5024 CABLE-RETAINER SUJETA-CABLE	
13	H.374339-2	CAVO MACCHINA H07RN-F 5X2.5X2.5MT CABLE MACHINE H07RN-F 5X2.5X2.5MT MASCHINENKABEL H07RN-F 5X2.5X3.0MT CABLE H07RN-F 5X2.5X2.5MT * CABLE MAQUINA H07RN-F 5X2.5X2.5MT	
14	229039 <i>Recommended spare parts</i>	RELÈ 62.82.8.230.0300 RELAIS RELAIS 62.82.8.230.0300 RELAY RELÈ 62.82.8.230.0300	
15	215029 <i>Recommended spare parts</i>	SCHEDA IGEA(88701-1060)ELT.LA50 IBRIDA CARTE ELECTRONIQUE PLATINE MAIN BOARD TARJETA electrónica	
16	210011	PIASTRINA TERMINALE SFR/PT CABUR PLAQUE PLÄTTCHEN plate placa	
17	210010	PORTAFUSIBILE AWG-SFR4(UL)CABUR PORTE-FUSIBLE SICHERUNGSHALTER FUSE-HOLDER PORTAFUSIBLE UL	
18	228010 <i>Recommended spare parts</i>	FUSIBILE 5X20 T4A RITARDATO 250V FUSIBLE SICHERUNG 5X20 T4A FUZE FISIBLE	
19	035031	TUBO Y -COLLEGAMENTO PRESSOSTATO TUYAU Y - CONNEXION PRESSOSTAT Y-VERBINDUNGSST., DRUCKSCHALTER 760 Y-PIPE - PRESSURE SWITCH CONNECTION EMPALME "Y" PRESOSTATO 760	

20	224010 <i>Recommended spare parts</i>	PRESSOSTATO SICUREZZA PRESSOSTAT de securite DRUCKSCHALTER, SICHERH. ABLASSPUMPE 110/75 SAFETY PRESSURE SWITCH PRESOSTATO SEG. BOMBA DESCARGA 110/75	Pompa scarico
21	224003 <i>Recommended spare parts</i>	PRESSOSTATO 55/35 PRESSOSTAT 55/35 DRUCKSCHALTER - 55/35 PRESSURE SWITCH (S6212) PRESOSTATO - 55/35	
22	80871 <i>Recommended spare parts</i>	MICRO MAGNETICO CONTACTE MAGNETIQUE TUERKONTAKTSCHALTER MAGNETIC DOOR SWITCH CONTACTO MAGNETICO	
23	230086 <i>Recommended spare parts</i>	RESISTENZA 2700/240V PER LAVASTOVIGLIE RESISTANCE HEIZUNG, TANK 2700W/220V-3200W/240V 22/44/50 HEATING ELEMENT RESISTENCIA	
24	456011	guarnizione o-ring joint torique o-ring O-Ring 3037 O-ring junta tórica o-ring	
25	463007	PIPA DI PROTEZIONE RESISTENZA PIPE DE PROTECTION RESISTANCE FITTING, WIDERSTANDSSCHUTZ HEATING ELEMENT PROTECTION PIPE PIPA PROTECCION RESISTENCIA	
26	437030	GUARNIZIONE PER Sonda THERMOSTATO VASCA JOINT POUR SONDÉ THERMOSTAT CUVE DICHTUNG, D14D22S1.5 FASERSTOFF TANK THERMOSTAT PROBE GASKET JUNTA D14D22S1. 5 FIBRA	
27	417017	DADO DI BLOCCAGGIO PER Sonda THERMOSTATO ECROU DE SERRAGE POUR SONDÉ THERMOSTAT SCHRAUBENMUTTER, TANKTHERMOSTAT TANK THERMOSTAT PROBE LOCKING NUT TUERCA THERMOSTATO CUBETA	
28	236042 <i>Recommended spare parts</i>	TERMOSTATO VASCA THERMOSTAT CUVE THERMOSTAT, TANK TR711 Tf-53ø TANK THERMOSTAT TERMOSTATO CUBETA	
29	236047 <i>Recommended spare parts</i>	TERMOSTATO 95°C THERMOSTAT CUVE SECURITE 95°C SICHERHEITSTHERMOSTAT SAFETY TANK THERMOSTAT 95°C TERM.CONTACTO CUBETA/S.95° +/-3° SIC.	
30	456002	guarnizione o-ring joint torique o-ring O-Ring 48x6,2 O-ring junta tórica o-ring	
31	230111 <i>Recommended spare parts</i>	RESIST.B.4900W/230-400V RESISTANCE HEIZUNG,B.4900W/230-400V HEATING ELEMENT RESISTENCIA	
32	236043 <i>Recommended spare parts</i>	TERMOSTATO BOILER TR711 TF-83° THERMOSTATE SURCHAUFFEUR THERMOSTAT, BOILER TR711 Tf-83ø ADJUSTABLE BOILER THERMOSTAT TERMOSTATO CALENTADOR TR711 Tf-83°	
33	69870	PROTEZIONE RESISTENZA BOILER PROTECTION RESISTANCE BOILER HEIZUNGSCHUETZ DES WARMWASSERBEREITERS BOILER HEATING ELEMENT PROTECTION PROTECCION RESISTENCIA CALENTADOR	
34	209029 <i>Recommended spare parts</i>	DOSATORE DETERGENTE distributeur de détergent PERISTAKTISCHES DOSIERGERÄT REINIGER detergent dispenser dispensador de detergente	Optional

35	468151	RACCORDO DETERSIVO VASCA RACCORD EN ACIER INOXYDABLE ENTREE' TANKEINLAUF CPL NM* STAINLESS STEEL INLET DETERGENT ELBOW, EMPALME ENTRADA JABON CPL NM * SOLDADO	
36	143258 <i><u>Recommended spare parts</u></i>	TUBO "SANTOPRENE" CON RACCORDO TUYAU "SANTOPRENE" MEMBRANSCHLAUCH SANTOPREN "SANTOPRENE" PIPE TUBITO SANTOPRENE	
37	143194 <i><u>Recommended spare parts</u></i>	TUBO 4x6 CRISTAL TRASPARENTE TUYAU SCHLAUCH 4X6 CRISTAL, DURCHS. PIPE MANGUITO	
38	121993	GRUPPO FILTRO+ZAVORRA DOSATORE filtre distributeur FILTERANORDNUNG filter aid dispenser filtro dispensador	
39	143013 <i><u>Recommended spare parts</u></i>	TUBO PVC VERDE 4X7 TUYAU SCHLAUCH PVC GRÜN 4X7 PIPE MANGUITO	
40	229040 <i><u>Recommended spare parts</u></i>	RELÈ 62.83.8.230.0300 RELAIS RELAIS 62.83.8.230.0300 RELAY RELÈ 62.83.8.230.0300	



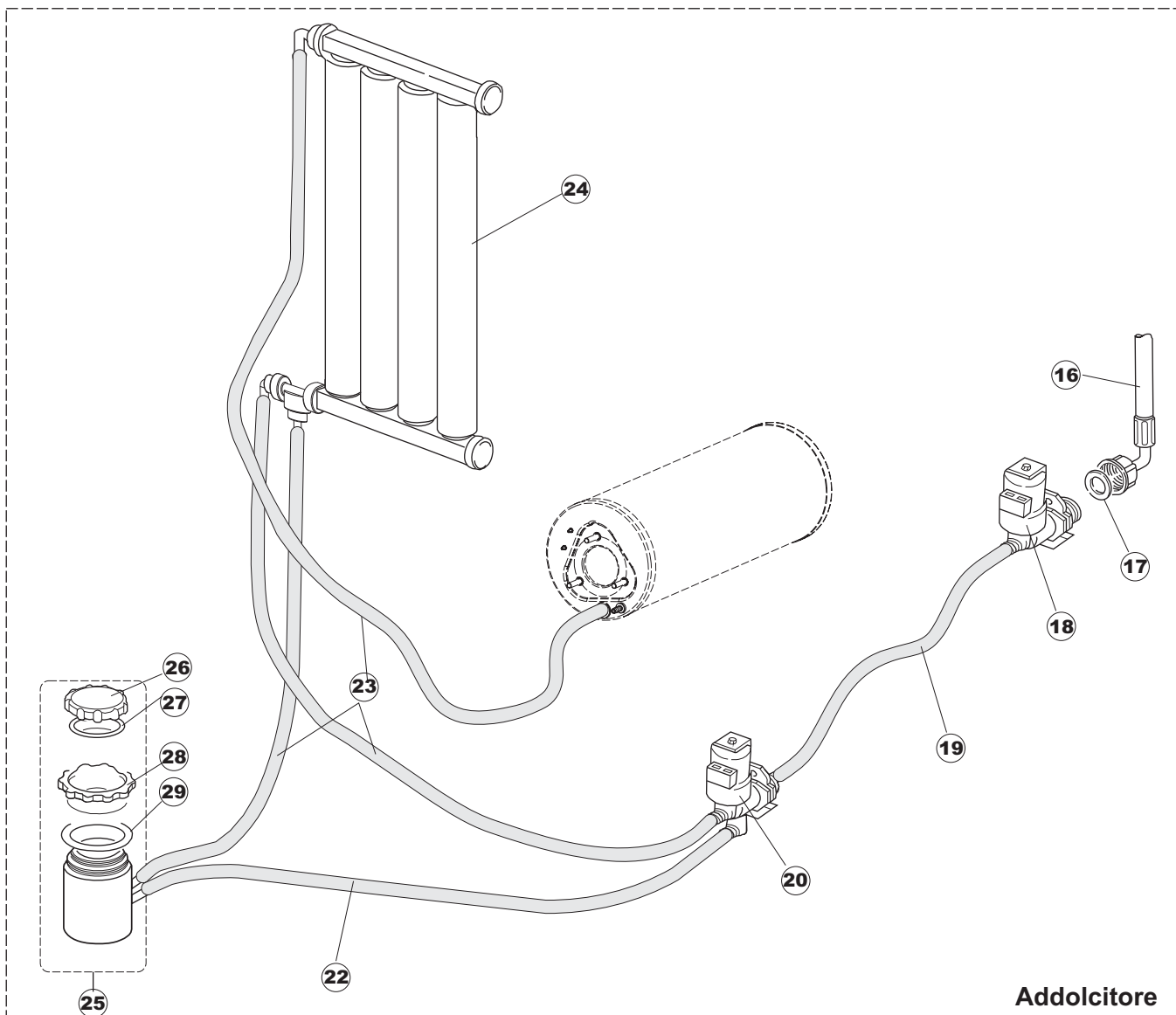
pompa scarico

Listino componenti per pagina 4

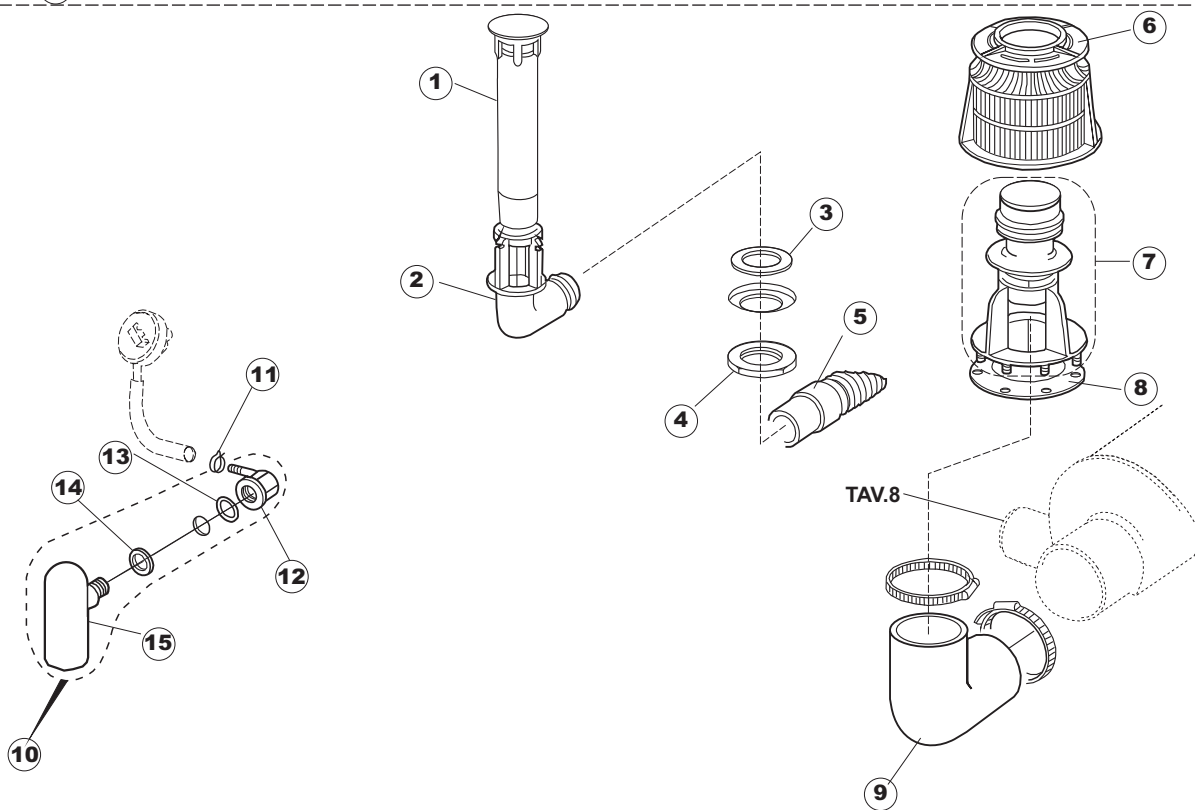
1	441009 <i>Recommended spare parts</i>	GUARNIZIONE IN GOMMA RISCIAQUO JOINT EINSATZ, DICHT. D10 SAMM.S621- GASKET JUNTA	
2	437014	GUARNIZIONE PER TUBO DI MANDATA ACQUA JOINT POUR TUYAU REFOULEMENT INFERIEUR DICHTUNG, UNT.SAMMELLEITUNG S850 PACKING FOR LOWER WATER INLET PIPE FOR JUNTA COND. INFER. S850	
3	143174	TUBO DI RISCIAQUO PER COLLETTORE INFE- TUYAU DE RINCAGE ROHR, UNT. WASSERSAMMELL.NACHSPÜL. 50 RINSE PIPE FOR LOWER WATER COLLECTOR TUBO ENJUAGUE COLLET. INF. AGUA 50	
4	111030	COLLETTORE D'ACQUA INFERIORE COLLECTOR CENTRALE INFERIEURE GR.SAMMLER UNTEN NEUTRAL E50NM+VERSCHL lower MAIN MANIFOLD COLECTOR CENTRAL inferior	
5	035064	STAFFA POMPA SCARICO console de support BÜGEL, ABLASSPUMPE FÜR SAMMELLEITUNG 50NM support bracket ménsula de soporte	
6	127026	RACCORDO TUBO MANDATA POMPA RACCORD TUYAU DE REFOULEMENT POMPE MUFFE, ZUFUHR PUMPE 22/500 PUMP INLET COUPLING PIPE MANGUITO IMPULSION BOMBA 22/500	
7	143240	TUBO 3VIE TROIS VOIES TUYAU LEITUNG, H-)OB.COND. "T" PIPE TUBO DE TRES VÍAS	
8	143189	TUBO SFIATO TUYAU SOUPIRAL RÖHRCHEN, ENTLÜFT. DVGW CLEAN.3 AIR VENT TUBITO ALIVIAD. DVGW CLEAN. 3	
9	144011	DISPOSITIVO DI NON RITORNO Clapet Anti-Retour RÜCKSCHLAGVORR.(EB) NON RETURN VALVE válvula de retención	
10	143004	TUBO TUYAU ROHR, DRUCKSCHALTER TP 10X17 (CASER/15NL C4N) PIPE TUBO PRES. TP 10X17 (CASER/15NL C4N)	
11	437041	GUARNIZIONE 3/4 JOINT DICHTUNG 3/4 GASVERSORG. GASKET JUNTA	
12	929169	TUBO DI CARICO TERMOPLASTICO TUYAU DE CHARGEMENT THERMOPLASTIQUE ZULAUFSCHLAUCH, WASSER THERMOPLAST THERMOPLASTIC INLET HOSE TUBO DE CARGA DEL TERMOPLASTICO	
13	240011 <i>Recommended spare parts</i>	VALVOLA DI CARICO 1VIA vanne de remplissage ZUFLUSSVENTIL 1-WEG FILL VALVE válvula de llenado	
14	104060	BOILER CHAUDIÈRE BOILER BOILER CALDERIN	
15	143005 <i>Recommended spare parts</i>	TUBO IN GOMMA TELATA 5X12 NERO TUYAU EN CAOUTCHOUC LIN 5X12 NOIR SCHLAUCH TP 5X11 (CASER/15/NL C4N) LINEN RUBBER PIPE 5X12 - BLACK TUBO PRES. TP 5x11 (CASER/15/NL C4N)	

16	209025 <i>Recommended spare parts</i>	DOSATORE BRILLANTANTE distributeur de produit de rinçage DOSIERPUMPE KLARSPÜLER RINSE AID-DISPENSER DOSIFICADOR ABRILLANTADOR	
17	H.775601 <i>Recommended spare parts</i>	TUBO 4x6 CRISTAL BLUE PVC TUYAU SCHLAUCH 4x6 CRISTAL BLAU PVC PIPE MANGUITO	
18	142053	TROPPOPIENO TROP PLEIN ÜBERLAUF, ABLASS 50/503 NM OVERFLOW PIPE REBOSE	
19	121078	FILTRO PER POMPA DI SCARICO FILTRE POUR POMPE DE VIDANGE FILTER, ABLASSPUMPE 463/503 FILTER FOR DRAIN PUMP FILTRO BOMBA DESCARGA	
20	303019	ANELLO ELASTICO FILTRO POMPA SCARICO PER LAVASTOVIC BAGUE ELASTIQUE POUR FIILTRE POMPE DE VIDANGE POUR SPANNRING FÜR ABLASSPUMPENFILTER 503 ELASTIC RING FOR FILTER OF DRAIN PUMP FOR DISHWASHEI ANILLO ELASTICO FILTRO P. S. 503	
21	136023	PILETTA CURVA SCARICO SIEGE DE VIDANGE COURBE' ABFLUSS, GEBOGEN 50/503 CURVED DRAIN PIPE (S6723) PILETA CURVA DESCARGA 50/503	
22	437063	GUARNIZIONE JOINT DICHTUNG, ABFLUSS 50 GASKET JUNTA	
23	417081	DADO IN PLASTICA 1-1/4 ECROU EN PLASTIQUE SCHRAUBENMUTTER, KUNST. 1'- 1/4 PLASTIC NUT 1-1/4 TUERCA PLASTICO 1'- 1/4	
24	127050	TUBO ASPIRAZIONE POMPA SCARICO TUYAU ASPIRATION POMPE DE VIDANGE MUFFE, STEIF ABS. ABL.P. 500/503 DRAIN PUMP INLET HOSE MANGUITO RIGIDO ASP. P. S. 500/503	
25	127044	MANICOTTO ASPIRAZIONE POMPA SC.353/403 tuyau d'aspiration MUFFE, ABSAUG.ABLASSPUMPE 353/403 suction pipe tubo de aspiración	
26	468152	RACCORDO DI SCARICO RACCORD POUR VIDANGE SERIE LAVE-VERRES VERBINDUNGSST., ABLAUF CLEAN.3 DRAIN CONNECTION FOR DISHWASHERS SERIE EMPALME DESCARGA CLEAN. 3	
27	127037	MANICOTTO DI SCARICO MANCHON DE VIDANGE MUFFE, ABLAUF CLEAN.3 DRAIN SLEEVE MANGUITO DESCARGA	
28	144003	VALVOLA DI SFIATO POMPA DI SCARICO SOUPAPE DE SOUPIRAL POMPE DE VIDANGE ENTLÜFTUNGSVENTIL, ABLASSPUMPE DRAIN PUMP VENT VALVE VALVULA ALVIAD. BOMBA DESCARGA	
29	423024	FASCETTA SERRAGGIO TUBI Collier de serrage SCHELLE, KUNST. BEF.FÜR ABLASSROHRPUMPE HOSE CLAMP ABRAZADERA	
30	143178	TUBO SCARICO - 50 TUYAU DE VIDANGE ABLASSROHR - 50 DRAIN HOSE TUBO DESCARGA	

31	130176 <i><u>Recommended spare parts</u></i>	POMPA DI SCARICO POMPE DE VIDANGE ABFLUSSPUMPE 50HZ. DRAIN PUMP BOMBA DESAGUE	505PM,505PT
33	121149	FILTRO DOSATORE filtre d'aspiration distributeur SIEB FUER SPUELMITTELPUMPE FILTER DISPENSER filtro dispensador	



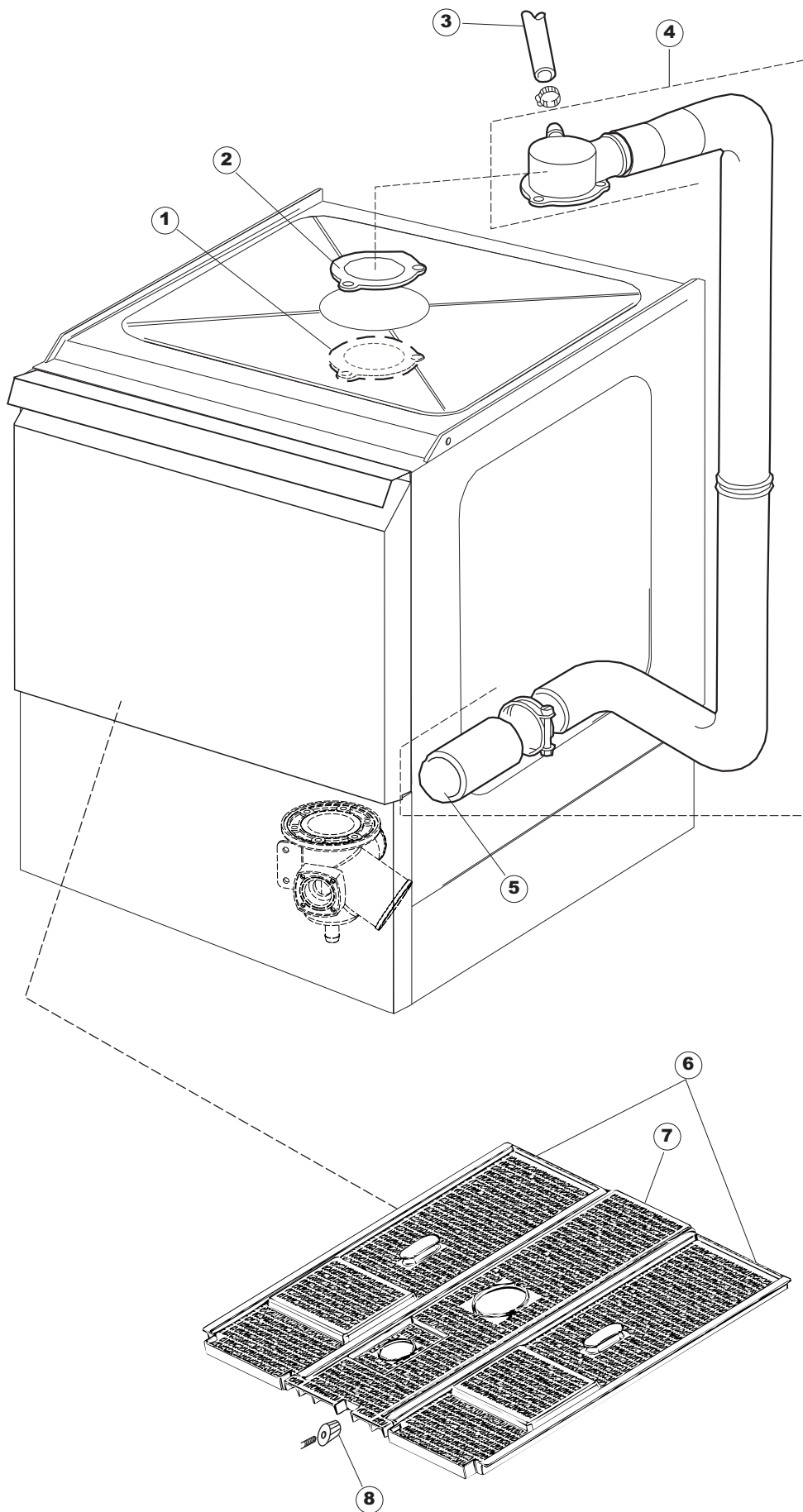
Addolcitore



Listino componenti per pagina 5

1	142052	TROPPOPIENO TROP PLEIN ÜBERLAUF 50/503 NM OVERFLOW PIPE REBOSE	
2	136023	PILETTA CURVA SCARICO SIEGE DE VIDANGE COURBE' ABFLUSS, GEBOGEN 50/503 CURVED DRAIN PIPE (S6723) PILETA CURVA DESCARGA 50/503	
3	437063	GUARNIZIONE JOINT DICHTUNG, ABFLUSS 50 GASKET JUNTA	
4	417081	DADO IN PLASTICA 1-1/4 ECROU EN PLASTIQUE SCHRAUBENMUTTER, KUNST. 1'- 1/4 PLASTIC NUT 1-1/4 TUERCA PLASTICO 1'- 1/4	
5	143178	TUBO SCARICO - 50 TUYAU DE VIDANGE ABLASSROHR - 50 DRAIN HOSE TUBO DESCARGA	
6	121052	FILTRO FILTRE FILTER, PUMPE - 22/44 STAINER FILTRO	
7	478059	SUPPORTO FILTRO GRIGIO+PROLUNGA SUPPORT HALTER, FILTER GRAU+VERLÄNGERUNG GRAY FILTER STAND SOPORTE FILTRO GRIS+ALARGADOR	
8	437015	GUARNIZIONE FILTRO - POMPA DI LAVAGGIO JOINT DICHTUNG, PUMPENFILTER S651- GASKET JUNTA	
9	127041	MANICOTTO D'ASPIRAZIONE PER POMPA DI DURITE' D'ASPIRATION POUR POMPE DE MUFFE, ABSAUG. 463/503 DRAIN PUMP ASPIRATION HOSE FOR GLASS- MANGUITO ASPIRACION 463/503	
10	984005 <i><u>Recommended spare parts</u></i>	GRUPPO TRAPPOLA D'ARIA PRISE D'AIR - COMPLETE GLOCKE, DRUCKSCHALTER 35/40 AIR TRAP, ASSY GRUPO CAMPANA PRESOSTATO 35/40	
11	423011	FASCETTA SERRAGGIO TUBI A MOLLA 8.1 Collier de serrage SCHELLE, FEDER HOSE CLAMP ABRAZADERA	
12	468029	RACCORDO TRAPPOLA ARIA PRESSOSTATO RACCORD PRISE D'AIR PRESSOSTAT VERBINDUNGSSTK. TANKEINLAUF AIR TRAP CONNECTION OF PRESSURE SWITCH EMPALME CAMPANA PRESOSTATO	
13	456020	guarnizione o-ring joint torique o-ring O-Ring 3050 R495 O-ring junta tórica o-ring	
14	437019	GUARNIZIONE TRAPPOLA ARIA PRESSOSTATO JOINT PRISE D'AIRE PRESSOSTAT DICHTUNG, GLOCKE DRUCKSCH. V.M. PACKING FOR AIR TRAP OF PRESSURE SWITCH JUNTA CAMP. PRES. TORNILLO M.	
15	107005 <i><u>Recommended spare parts</u></i>	TRAPPOLA ARIA cloche de pression GLOCKE, DRUCKSCHALT. EB 35/40 AIR TRAP for pressure switch CAMPANA PRESOSTATO	

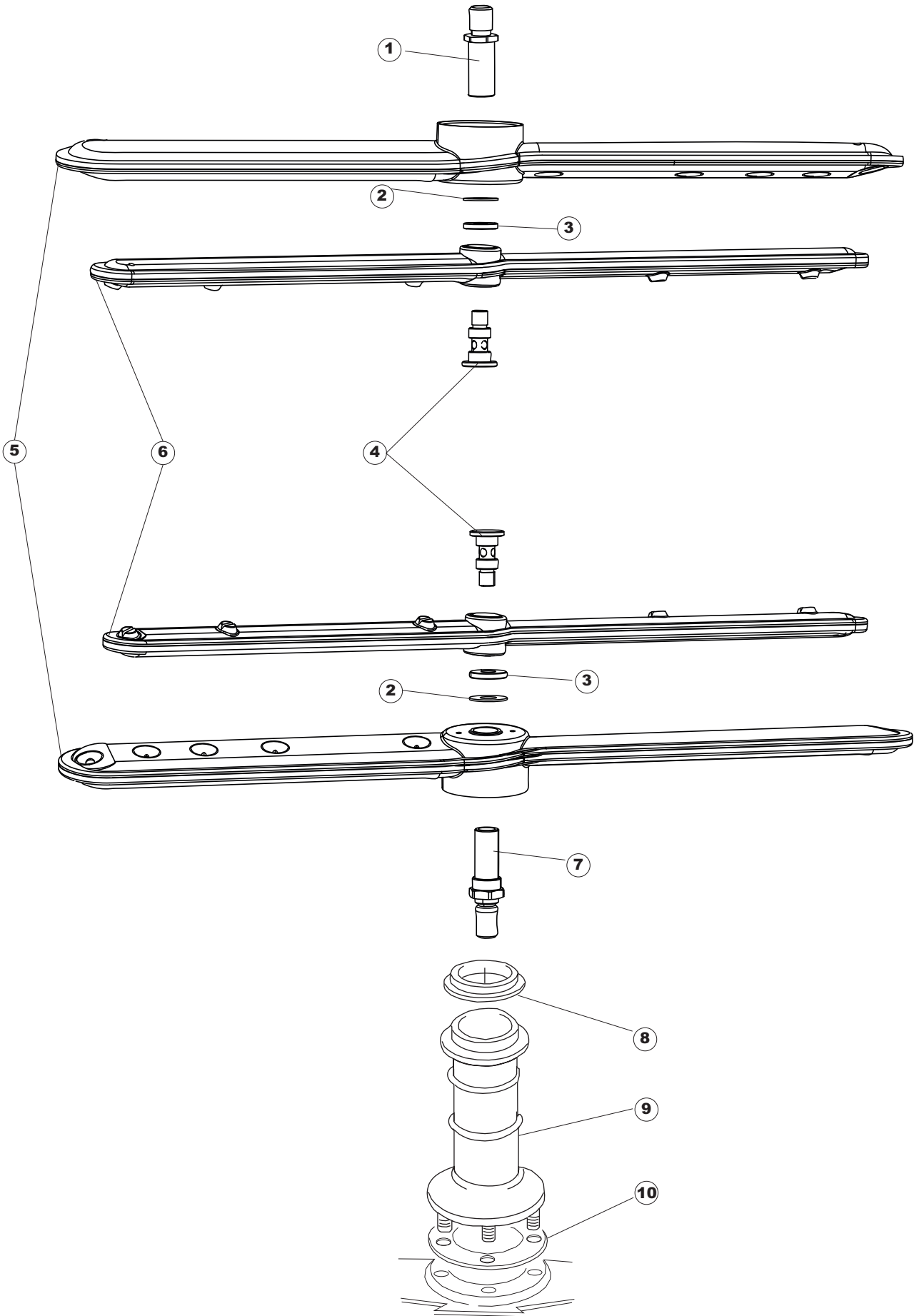
16	929169	TUBO DI CARICO TERMOPLASTICO TUYAU DE CHARGEMENT THERMOPLASTIQUE ZULAUFSCHLAUCH, WASSER THERMOPLAST THERMOPLASTIC INLET HOSE TUBO DE CARGA DEL TERMOPLASTICO	
17	437041	GUARNIZIONE 3/4 JOINT DICHTUNG 3/4 GASVERSORG. GASKET JUNTA	
18	240016 <i><u>Recommended spare parts</u></i>	ELETTRORVALVOLA ELECTROVANNE ZUFLUSSVENTIL 1-WEG 3/4 230V DROSS.16L SOLENOID VALVE ELECTROVALVULA	
19	143246	TUBO CONDOTTA VALVOLA-)DEPURATORE TUYAU LEITUNG, -)ENTHARTER PIPE MANGUITO	
20	999288 <i><u>Recommended spare parts</u></i>	GRUPPO VALVOLA DEVIATRICE ELECTROVANNE MAGNETVENTIL ZWEI WEGE SOLENOID VALVE ELECTROVALVULA	
22	143265	TUBO CONDOTTA SCAMBIATRICE->B.SALE 50 TUYAU SCHLAUCH PIPE MANGUITO	
23	143004	TUBO TUYAU ROHR, DRUCKSCHALTER TP 10X17 (CASER/15NL C4N) PIPE TUBO PRES. TP 10X17 (CASER/15NL C4N)	
24	117007	ADDOLCITORE ADOUCISSEUR WASSERENTKALKER WATER SOFTNER DESCALCIFICADOR	505SM,505ST
25	406998	CONTENITORE SALE GROUPE DU BOL A SEL SALZBEHALTER NM SALT CONTAINER UNIT GRUPO JARRA SAL NM	
26	480005	TAPPO DECALCIFICATORE BOUCHON POUR BOL A SEL ABDECKUNG, SALZBEHALTER SALT CONTAINER SCREW CAP TAPON JARRA SAL	
27	456052	guarnizione o-ring joint torique o-ring O-Ring 144 O-ring junta tórica o-ring	
28	429011	GHIERA PER BOCCIA SALE DOUILLE GEWINDERING, SALZBEH. RING NUT CONTERA VIROLA	
29	437034	GUARNIZIONE D68D81 S3 IN GOMMA JOINT DICHTUNG, D68D81S3 GUMMI GASKET JUNTA	



Listino componenti per pagina 6

1	303029	ANELLO DI GOCCIOLAMENTO PER LAVABICCHIER I BAGUE DE DEGOUTTEMENT POUR LAVE-VERRES TROPFRING 46/50.. DRIPPING RING FOR GLASSWASHER ANILLO DE GOTEIO 46/50. .	
2	437064	GUARNIZIONE JOINT DICHTUNG, SAMMELLEITUNG, ZENTR.OB.50 GASKET JUNTA	
3	143240	TUBO 3VIE TROIS VOIES TUYAU LEITUNG, H-)OB.COND. "T" PIPE TUBO DE TRES VÍAS	
4	115131	COLLETTORE COLLECTEUR WASCHLEITUNG AUSSEN CPL.E50-503 MAINFOLD COLECTOR	
5	127036	MANICOTTO CONDOT. E50 tuyau de refoulement à laver MUFFE, UNT. SPÜL.KOND. 50/f DELIVERY WASH HOSE MANGUITO LAVADO	
6	121139	FILTRO FILTRE FILTER STAINER FILTRO	Optional
7	121138	FILTRO FILTRE FILTER STAINER FILTRO	Optional
8	408006	BORCHIA SOSTEGNO FILTRO CLOU SOUTIEN FILTRE BESCHLAG, FÜR TANKFILTER - GRAU FILTER SUPPORT STUD (S6689) BOLLON X FILTRO CUBETA GRIS	

7

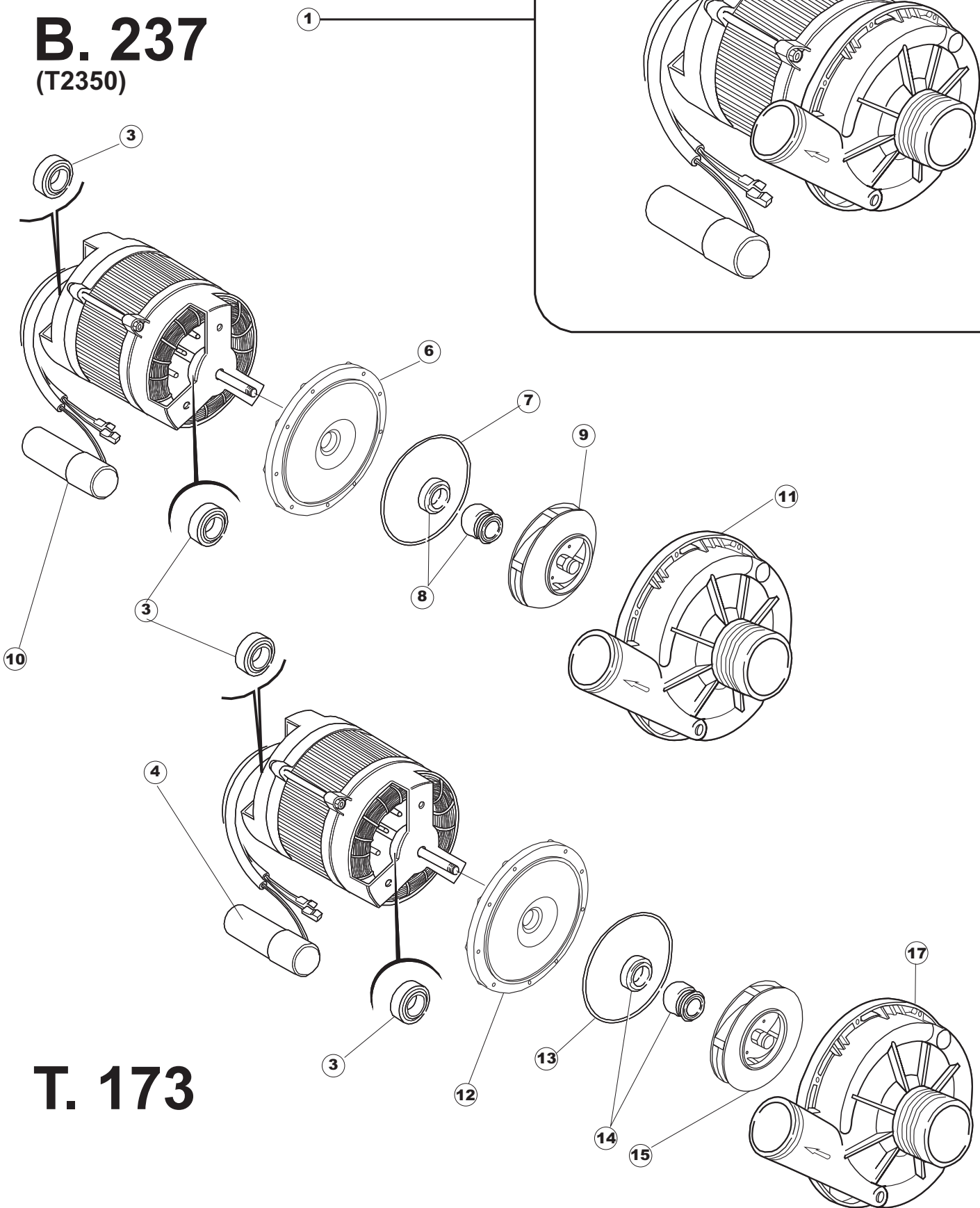


Listino componenti per pagina 7

1	325108	PERNO BRACCIO LAVAGGIO PIVOT STIFT PIVOT PERNO	
2	80623 <i>Recommended spare parts</i>	RONDELLA RONDELLE RING 22X9,5X1 WASHER ANILLO DE TEFLON 22X9,5X1	
3	80697	GHIERA ULTRA RINSE M10 INOX DOUILLE RING RING NUT CONTERA VIROLA	
4	80700	PERNO BRACCIO RISCIAQUO PIVOT STIFT PIVOT PERNO	
5	129085	BRACCIO LAVAGGIO BRAS DE LAVAGE COMPLET SPRÜHARM COMPLETE WASH ARM BRAZO LAVADO COMPLETO	
6	129089	BRACCIO RISCIAQUO BRAS DE RINCAGE COMPLET NACHSPÜLARM COMPLETE RINSE ARM BRAZO ACLARADO COMPLETO	
7	325107	PERNO PIVOT STIFT PIVOT PERNO	
8	199058	DISCO PARZIALIZZATORE DISQUE REDUCTEUR DROSSELSCHEIBE, WASSER KUNST.E55 SHUTTER WATER CIRCULAR OBTURADOR DE AGUA CIRCULAR	
9	115075	COLLETTORE CENTRALE COLLECTOR CENTRALE ZENTR.LEITUNG - UNTEN 50 (H=108) MAIN MANIFOLD COLECTOR CENTRAL	
10	437014	GUARNIZIONE PER TUBO DI MANDATA ACQUA JOINT POUR TUYAU REFOULEMENT INFERIEUR DICHTUNG, UNT.SAMMELLEITUNG S850 PACKING FOR LOWER WATER INLET PIPE FOR JUNTA COND. INFER. S850	

B. 237

(T2350)



T. 173

Listino componenti per pagina 8

1	130109 <i>Recommended spare parts</i>	POMPA LAVAGGIO POMPE DE LAVAGE PUMPE HP 0.80 220/240-50 - 50/500 WASHPUMP bomba de lavado	
3	314001	CUSCINETTO PER POMPA DI LAVAGGIO COUSSINET POUR POMPE LAGER 6201/2Z WASH-PUMP BEARING COJINETE de electrobomba	
4	206004 <i>Recommended spare parts</i>	CONDENSATORE CONDENSEUR KONDENSATOR - 16 mF CAPACITOR CONDENSADOR	
6	315017	FLANGIA PER POMPA DI LAVAGGIO BRIDE FLANSCH, MIT DECKEL B237 FLANGE BRIDA	
7	437049	GUARNIZIONE POMPA 2277 JOINT POMPE 2277 DICHTUNG, PUMPE 2277 GASKET PUMP 2277 (S6698) JUNTA BOMBA 2277	
8	141002 <i>Recommended spare parts</i>	TENUTA MECCANICA PER POMPA DI LAVAGGIO ETANCHEITE' DE LA POMPE DE LAVAGE POUR DICHTUNG, MECH., ROTIER. D 12 WASH PUMP SHAFT SEAL FOR GLASSWASHER SELLO MECANICO GIRAT. D 12	
9	124065	GIRANTE ELETTROPOMPA IMPULSEUR MOTO POMPE PUMPENFLUEGELRAD B237 FUER GESCHIRR- SPUELER ELECTROPUMP IMPELLER ROTOR PARA ELECTROBOMBA	
10	206003 <i>Recommended spare parts</i>	CONDENSATORE CONDENSEUR KONDENSATOR - 12.5 mF CAPACITOR CONDENSADOR	
11	116021	CHIOCCIOLA ELETTROPOMPA couvercle de la turbine PUMPENGEHAUSE, B237 ELECTROPUMP HOUSING ESPIRAL PARA ELECTROBOMBA	
12	315022	FLANGIA PER POMPA DI LAVAGGIO BRIDE FLANSCH, PUMPE LGB T-173/174 FLANGE BRIDA	
13	456031 <i>Recommended spare parts</i>	guarnizione o-ring joint torique o-ring O-Ring T30-1297 D.2 O-ring junta tórica o-ring	
14	141007	TENUTA MECCANICA PER POMPA DI LAVAGGIO ETANCHEITE' DE LA POMPE DE LAVAGE POUR DICHTUNG, MECH.D.26x13x5,5 BR. WASH PUMP SHAFT SEAL FOR GLASSWASHER SELLO MEC. D. 26x13x5,5 BR.	
15	124031	GIRANTE ELETTROPOMPA IMPULSEUR MOTO POMPE LAUFRAD, ZU 50HZ D.104 T170 ELECTROPUMP IMPELLER ROTOR PARA ELECTROBOMBA	
17	116019	CHIOCCIOLA ELETTROPOMPA couvercle de la turbine PUMPENGEHAUSE, 50 T-173 ELECTROPUMP HOUSING ESPIRAL PARA ELECTROBOMBA	

RECOMMENDED SPARE PARTS

PAG 1	POS 13	COD 480058	TAPPO IN GOMMA D.17 TUYAU EN ACOUCHOU D.17 GUMMIABDECKUNG D.17 RUBBER CAP D.17 TAPON GOMA D. 17	
PAG 1	POS 20	COD 480057	TAPPO IN GOMMA D.14 BOUCHON EN GOMME D.14 GUMMIABDECKUNG D.14 RUBBER CAP D.14 TAPON GOMA D. 14	
PAG 2	POS 2	COD 208010	INTERRUTTORE DOPPIO CORPS DE CONTACT SCHALTER, DOPPELT - 35/40/50 DOUBLE SWITCH DESVIADOR DOBLE	
PAG 2	POS 3	COD 226071	PULSANTE DOPPIO CONTATTO CORPS DE CONTACT AVEC 2 TOUCHES DRUCKT. MIT DOPPELKONTAKT 35/40/50 CYCLE PUSH-BUTTON - 2 CONTACTS PULSADOR DOBLE CONTACTO 35/40/50	
PAG 2	POS 4	COD 216025	SPIA ARANCIO LAMPE TEMOIN - NOUVELLE POUR KONTROLL-LAMPE, REIHE 24.5.0.00.04.78 LAMP LAMPARA TESTIGO SERIE 24. 5. 0. 00. 04.	
PAG 2	POS 5	COD 226127	CORPO PULSANTE BOUTON CORPS Körper-Taste push button case CUERPO PULSADOR	
PAG 2	POS 14	COD 229039	RELÈ 62.82.8.230.0300 RELAIS RELAIS 62.82.8.230.0300 RELAY RELÉ 62.82.8.230.0300	
PAG 2	POS 15	COD 215029	SCHEDA IGEA(88701-1060)ELT.LA50 IBRIDA CARTE ELECTRONIQUE PLATINE MAIN BOARD TARJETA electrónica	
PAG 2	POS 18	COD 228010	FUSIBILE 5X20 T4A RITARDATO 250V FUSIBLE SICHERUNG 5X20 T4A FUZE FISIBLE	
PAG 2	POS 20	COD 224010	PRESSOSTATO SICUREZZA PRESSOSTAT de securite DRUCKSCHALTER, SICHERH. ABLASSPUMPE 110/75 SAFETY PRESSURE SWITCH PRESOSTATO SEG. BOMBA DESCARGA 110/75	Pompa scarico
PAG 2	POS 21	COD 224003	PRESSOSTATO 55/35 PRESSOSTAT 55/35 DRUCKSCHALTER - 55/35 PRESSURE SWITCH (S6212) PRESOSTATO - 55/35	
PAG 2	POS 22	COD 80871	MICRO MAGNETICO CONTACTE MAGNETIQUE TUERKONTAKTSCHALTER MAGNETIC DOOR SWITCH CONTACTO MAGNETICO	
PAG 2	POS 23	COD 230086	RESISTENZA 2700/240V PER LAVASTOVIGLIE RESISTANCE HEIZUNG, TANK 2700W/220V-3200W/240V 22/44/50 HEATING ELEMENT RESISTENCIA	
PAG 2	POS 28	COD 236042	TERMOSTATO VASCA THERMOSTAT CUVE THERMOSTAT, TANK TR711 Tf-53ø TANK THERMOSTAT TERMOSTATO CUBETA	
PAG 2	POS 29	COD 236047	TERMOSTATO 95°C THERMOSTAT CUVE SECURITE 95°C SICHERHEITSTHERMOSTAT SAFETY TANK THERMOSTAT 95°C TERM.CONTACTO CUBETA/S.95°+/-3° SIC.	
PAG 2	POS 31	COD 230116	RESISTENZA BOILER 3000W/230V RESISTEANCE CHAUDIERE HEIZUNG 3000W/230V BOILER HEATING ELEMENT RESISTENCIA CALDERIN	

RECOMMENDED SPARE PARTS

PAG 2	POS 32	COD 236043	TERMOSTATO BOILER TR711 TF-83° THERMOSTATE SURCHAUFFEUR THERMOSTAT, BOILER TR711 Tf-83ø ADJUSTABLE BOILER THERMOSTAT TERMOSTATO CALENTADOR TR711 Tf-83°	
PAG 2	POS 34	COD 209029	DOSATORE DETERGENTE distributeur de détergent PERISTAKTISCHES DOSIERGERÄT REINIGER detergent dispenser dispensador de detergente	Optional
PAG 2	POS 36	COD 143258	TUBO "SANTOPRENE" CON RACCORDO TUYAU "SANTOPRENE" MEMBRANSCHLAUCH SANTOPREN "SANTOPRENE" PIPE TUBITO SANTOPRENE	
PAG 2	POS 37	COD 143194	TUBO 4x6 CRISTAL TRASPARENTE TUYAU SCHLAUCH 4X6 CRISTAL, DURCHS. PIPE MANGUITO	
PAG 2	POS 39	COD 143013	TUBO PVC VERDE 4X7 TUYAU SCHLAUCH PVC GRÜN 4X7 PIPE MANGUITO	
PAG 3	POS 2	COD 208010	INTERRUTTORE DOPPIO CORPS DE CONTACT SCHALTER, DOPPELT - 35/40/50 DOUBLE SWITCH DESVIADOR DOBLE	
PAG 3	POS 3	COD 226071	PULSANTE DOPPIO CONTATTO CORPS DE CONTACT AVEC 2 TOUCHES DRUCKT. MIT DOPPELKONTAKT 35/40/50 CYCLE PUSH-BUTTON - 2 CONTACTS PULSADOR DOBLE CONTACTO 35/40/50	
PAG 3	POS 4	COD 216025	SPIA ARANCIO LAMPE TEMOIN - NOUVELLE POUR KONTROLL-LAMPE, REIHE 24.5.0.00.04.78 LAMP LAMPARA TESTIGO SERIE 24. 5. 0. 00. 04.	
PAG 3	POS 5	COD 226127	CORPO PULSANTE BOUTON CORPS Körper-Taste push button case CUERPO PULSADOR	
PAG 3	POS 14	COD 229039	RELÈ 62.82.8.230.0300 RELAIS RELAIS 62.82.8.230.0300 RELAY RELÈ 62.82.8.230.0300	
PAG 3	POS 15	COD 215029	SCHEDA IGEA(88701-1060)ELT.LA50 IBRIDA CARTE ELECTRONIQUE PLATINE MAIN BOARD TARJETA electrónica	
PAG 3	POS 18	COD 228010	FUSIBILE 5X20 T4A RITARDATO 250V FUSIBLE SICHERUNG 5X20 T4A FUZE FISIBLE	
PAG 3	POS 20	COD 224010	PRESSOSTATO SICUREZZA PRESSOSTAT de securite DRUCKSCHALTER, SICHERH. ABLASSPUMPE 110/75 SAFETY PRESSURE SWITCH PRESOSTATO SEG. BOMBA DESCARGA 110/75	Pompa scarico
PAG 3	POS 21	COD 224003	PRESSOSTATO 55/35 PRESSOSTAT 55/35 DRUCKSCHALTER - 55/35 PRESSURE SWITCH (S6212) PRESOSTATO - 55/35	
PAG 3	POS 22	COD 80871	MICRO MAGNETICO CONTACTE MAGNETIQUE TUERKONTAKTSCHALTER MAGNETIC DOOR SWITCH CONTACTO MAGNETICO	
PAG 3	POS 23	COD 230086	RESISTENZA 2700/240V PER LAVASTOVIGLIE RESISTANCE HEIZUNG, TANK 2700W/220V-3200W/240V 22/44/50 HEATING ELEMENT RESISTENCIA	

RECOMMENDED SPARE PARTS

PAG 3	POS 28	COD 236042	TERMOSTATO VASCA THERMOSTAT CUVE THERMOSTAT, TANK TR711 Tf-53ø TANK THERMOSTAT TERMOSTATO CUBETA	
PAG 3	POS 29	COD 236047	TERMOSTATO 95°C THERMOSTAT CUVE SECURITE 95°C SICHERHEITSTHERMOSTAT SAFETY TANK THERMOSTAT 95°C TERM.CONTACTO CUBETA/S.95°+/-3° SIC.	
PAG 3	POS 31	COD 230111	RESIST.B.4900W/230-400V RESISTANCE HEIZUNG,B.4900W/230-400V HEATING ELEMENT RESISTENCIA	
PAG 3	POS 32	COD 236043	TERMOSTATO BOILER TR711 TF-83° THERMOSTATE SURCHAUFFEUR THERMOSTAT, BOILER TR711 Tf-83ø ADJUSTABLE BOILER THERMOSTAT TERMOSTATO CALENTADOR TR711 Tf-83°	
PAG 3	POS 34	COD 209029	DOSATORE DETERGENTE distributeur de détergent PERISTAKTISCHES DOSIERGERÄT REINIGER detergent dispenser dispensador de detergente	Optional
PAG 3	POS 36	COD 143258	TUBO "SANTOPRENE" CON RACCORDO TUYAU "SANTOPRENE" MEMBRANSCHLAUCH SANTOPREN "SANTOPRENE" PIPE TUBITO SANTOPRENE	
PAG 3	POS 37	COD 143194	TUBO 4x6 CRISTAL TRASPARENTE TUYAU SCHLAUCH 4X6 CRISTAL, DURCHS. PIPE MANGUITO	
PAG 3	POS 39	COD 143013	TUBO PVC VERDE 4X7 TUYAU SCHLAUCH PVC GRÜN 4X7 PIPE MANGUITO	
PAG 3	POS 40	COD 229040	RELÈ 62.83.8.230.0300 RELAIS RELAIS 62.83.8.230.0300 RELAY RELÈ 62.83.8.230.0300	
PAG 4	POS 1	COD 441009	GUARNIZIONE IN GOMMA RISCIAQUO JOINT EINSATZ, DICHT. D10 SAMM.S621- GASKET JUNTA	
PAG 4	POS 13	COD 240011	VALVOLA DI CARICO 1VIA vanne de remplissage ZUFLUSSVENTIL 1-WEG FILL VALVE válvula de llenado	
PAG 4	POS 15	COD 143005	TUBO IN GOMMA TELATA 5X12 NERO TUYAU EN CAOUTCHOUC LIN 5X12 NOIR SCHLAUCH TP 5X11 (CASER/15/NL C4N) LINEN RUBBER PIPE 5X12 - BLACK TUBO PRES. TP 5x11 (CASER/15/NL C4N)	
PAG 4	POS 16	COD 209025	DOSATORE BRILLANTANTE distributeur de produit de rinçage DOSIERPUMPE KLARSPÜLER RINSE AID-DISPENSER DOSIFICADOR ABRILLANTADOR	
PAG 4	POS 17	COD H.775601	TUBO 4x6 CRISTAL BLUE PVC TUYAU SCHLAUCH 4x6 CRISTAL BLAU PVC PIPE MANGUITO	
PAG 4	POS 31	COD 130176	POMPA DI SCARICO POMPE DE VIDANGE ABFLUSSPUMPE 50HZ. DRAIN PUMP BOMBA DESAGUE	505PM,505PT
PAG 5	POS 10	COD 984005	GRUPPO TRAPPOLA D'ARIA PRISE D'AIR - COMPLETE GLOCKE, DRUCKSCHALTER 35/40 AIR TRAP, ASSY GRUPO CAMPANA PRESOSTATO 35/40	

RECOMMENDED SPARE PARTS

PAG 5	POS 15	COD 107005	TRAPPOLA ARIA cloche de pression GLOCKE, DRUCKSCHALT. EB 35/40 AIR TRAP for pressure switch CAMPANA PRESOSTATO
PAG 5	POS 18	COD 240016	ELETTROVALVOLA ELECTROVANNE ZUFLUSSVENTIL 1-WEG 3/4 230V DROSS.16L SOLENOID VALVE ELECTROVALVULA
PAG 5	POS 20	COD 999288	GRUPPO VALVOLA DEVIATRICE ELECTROVANNE MAGNETVENTIL ZWEI WEGE SOLENOID VALVE ELECTROVALVULA
PAG 7	POS 2	COD 80623	RONDELLA RONDELLE RING 22X9,5X1 WASHER ANILLO DE TEFLON 22X9,5X1
PAG 8	POS 1	COD 130109	POMPA LAVAGGIO POMPE DE LAVAGE PUMPE HP 0.80 220/240-50 - 50/500 WASHPUMP bomba de lavado
PAG 8	POS 4	COD 206004	CONDENSATORE CONDENSEUR KONDENSATOR - 16 mF CAPACITOR CONDENSADOR
PAG 8	POS 8	COD 141002	TENUTA MECCANICA PER POMPA DI LAVAGGIO ETANCHEITE' DE LA POMPE DE LAVAGE POUR DICHTUNG, MECH., ROTIER. D 12 WASH PUMP SHAFT SEAL FOR GLASSWASHER SELLO MECANICO GIRAT. D 12
PAG 8	POS 10	COD 206003	CONDENSATORE CONDENSEUR KONDENSATOR - 12.5 mF CAPACITOR CONDENSADOR
PAG 8	POS 13	COD 456031	guarnizione o-ring joint torique o-ring O-Ring T30-1297 D.2 O-ring junta tórica o-ring