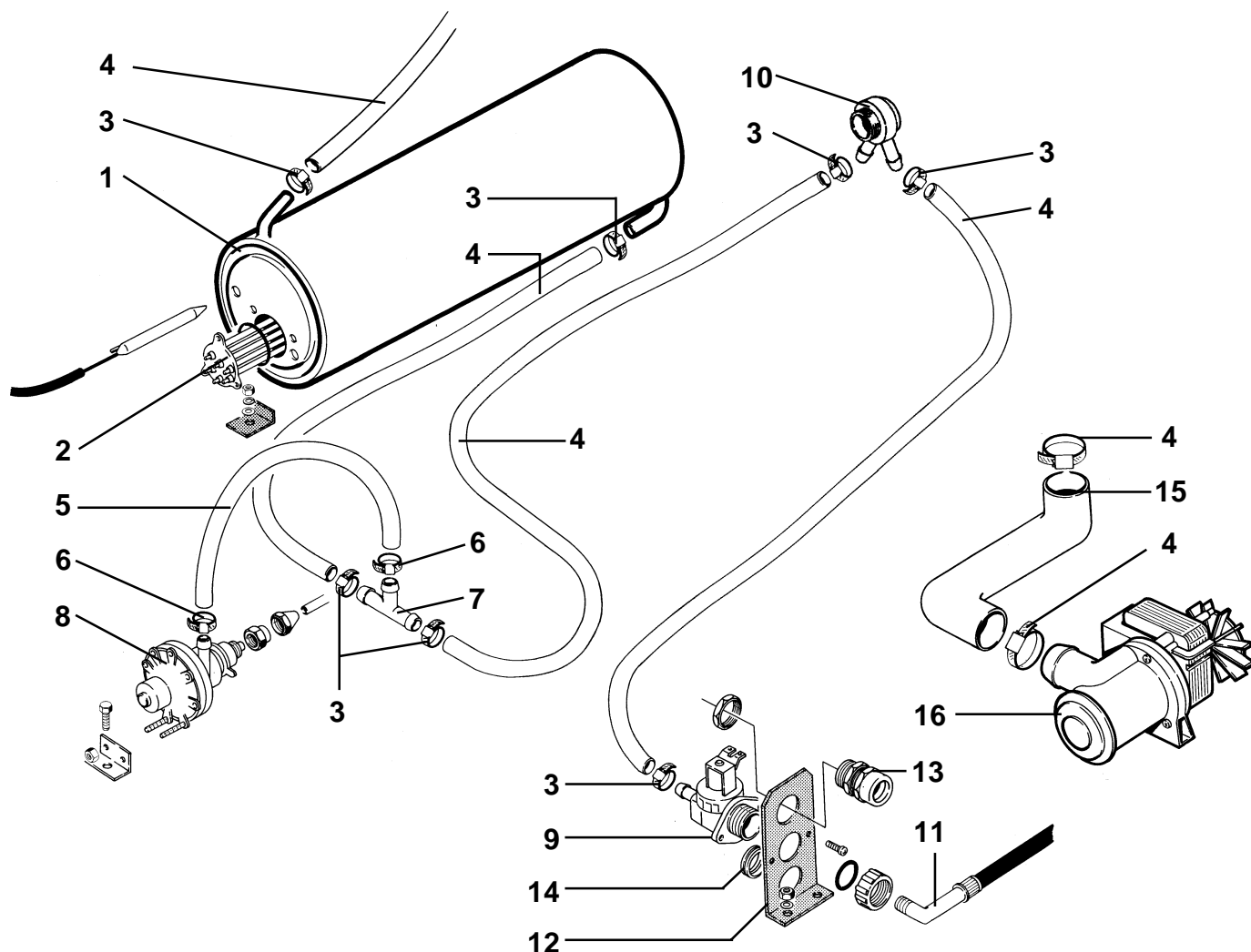


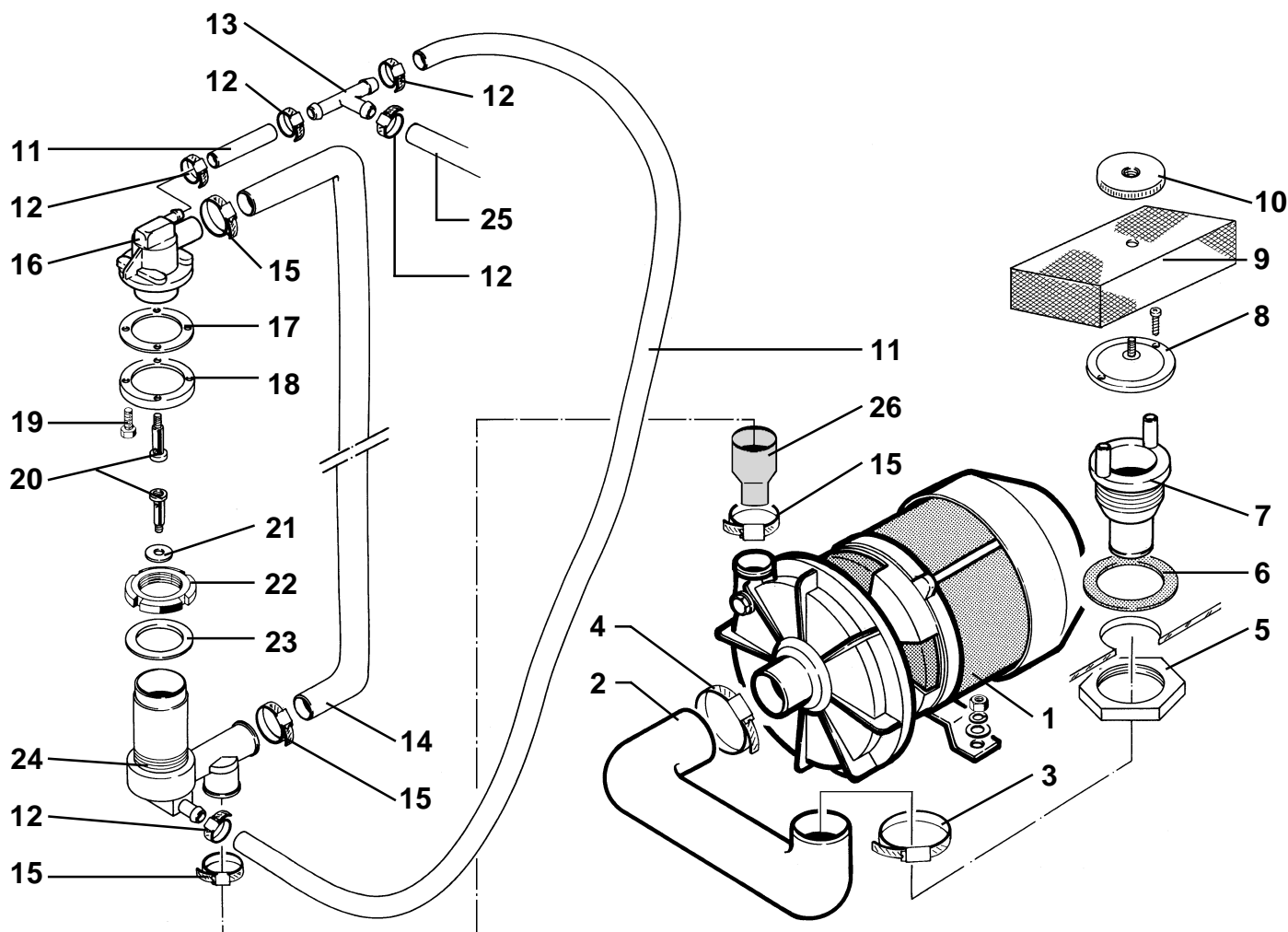
Rev.1 06/99

Pos	COD.	DESCRIZIONE	DENOMINATION	DESCRIPTION	BEZEICHNUNG
1	900241	BASAMENTO	SOCLE	BASE	UNTERSTRUKTUR
2	901892	VASCA	CUVE	TANK	TANK
3	905067	PORTA	PORTE	DOOR	TÜR
4	TR0220	CUSTODIA CON MAGNETE	PROTECTION MAGNETO	COVER MAGNET	MAGNETSCHUTZ
5	906121	SCROCCHETTO	CLIQUET FERMETURE PORTE	DOOR CATCH	SCHNAPPVERSCHLUSS
6	902023	DADO SCROCCHETTO	ECROU DE CLIQUET	NUT CATCH	KLIKENMUTTER
7	901673	GUIDA CESTELLI DX	COULISSE PANIER DROITE	BASKET GUIDE	KORBÜFHRUNG
8	901674	GUIDA CESTELLI SX	COULISSE PANIER GAUCHE	BASKET GUIDE	KORBÜFHRUNG
9	904990	PIEDINO	PIED	RUBBER LEG	EINSTELLBARER SOCKE
10	904795	PERNO PORTA	TOURILLON DE LA PORTE	DOOR PIN	TÜRSCHARNIERSTIFT
11	901245	CERNIERA	PATTE	DOOR SUPPORT	SCHARNIER
12	904524	PANNELLO LATERALE DX	PANNEAU DROITE	RIGHT PANEL	RECHTE VERKLEIDUNG
13	904525	PANNELLO LATERALE SX	PANNEAU GAUCHE	LEFT PANEL	LINKE VERKLEIDUNG
14	904643	PANNELLO POSTERIORE	PANNEAU POSTERIEUR	BACK PANEL	HINTERE VERKLEIDUNG
15	904527	PANNELLO SUPERIORE	PANNEAU SUPERIEUR	UPPER SIDE PANEL	OBERE VERKLEIDUNG
16	904503	PANNELLO INFERIORE	PANNEAU INFERIEUR	LOWER PANEL	UNTERE VERKLEIDUNG
17	907240	TIRANTE PORTA	TIRANT DU PORTE	DOOR SCREW STAY	TÜR ZUGSTANGE
18	904952	PIASTRINA	PLAQUETTE	PLATE	PLATTEKEN
19	905424	FERMO PORTA	FERMETURE PORTE	DOOR SUPPORT	TÜR HALTERUNG
20	902040	DADO ATB M6	ECROU	NUT	MUTTER
21	904721	PASSACAVO	CHAUMARD	FAIRLEAD	KABELDURCHGANG
22	954003	SQUADRETTA	PALIER	BEARING	TRÄGE
23	TR2433	VALVOLA ANTIRIFLUSSO	VALVE	VALVE	VENTIL



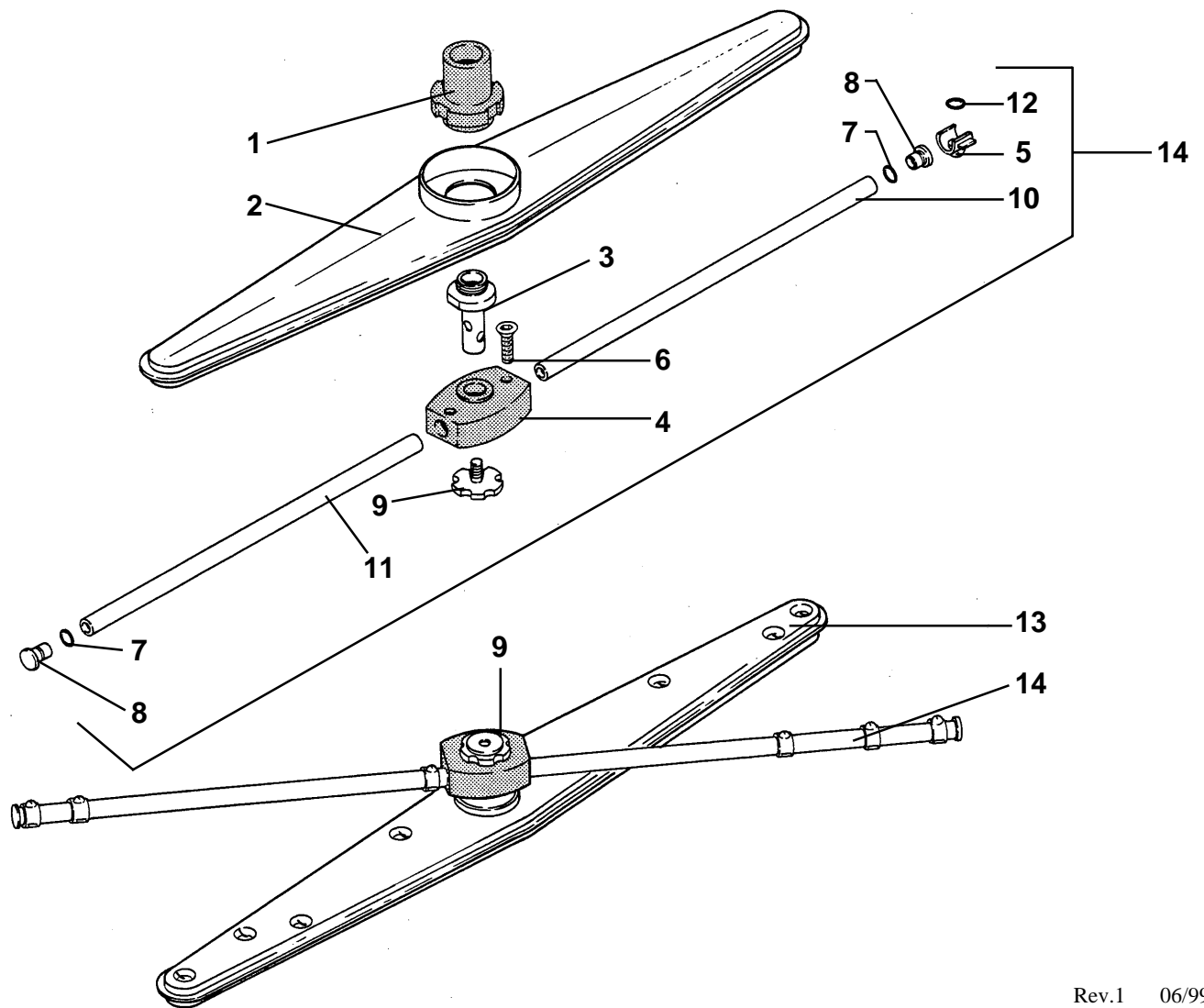
Rev.1 06/99

Pos	COD.	DESCRIZIONE	DENOMINATION	DESCRIPTION	BEZEICHNUNG
1	900353	BOILER	CHAUFFE EAU	BOILER	HEISSWASSERSPEICHER
2	905521	RESISTENZA 3.000 W	RESISTANCE	HEATING ELEMENT	HEIZKÖRPER
3	902440	FASCETTA 13÷20	COLLIER	CLAMP	SHELLE
4	907295	TUBO GOMMA 12x19,5	TUYAU EN CAOUTCHOUC	RUBBER HOSE	GUMMISCHLAUSCH
5	907359	TUBO GOMMA 8x15	TUYAU EN CAOUTCHOUC	RUBBER HOSE	GUMMISCHLAUSCH
6	902439	FASCETTA 11÷17	COLLIER	CLAMP	SHELLE
7	905381	RACCORDO A "T"	RACCORD	PIPE FITTING	ANSCHLUSSE
8	902199	DOSATORE	DOSEUR	RINSE AID DISPENSER	DOSIERSATZ
9	902390	ELETTRIVALVOLA 1 VIA	SOUPAPE ELECTRIQUE	ELECTRIC VALVE	ELEKTROVENTIL
10	TR2433	VALVOLA ANTIRIFLUSSO	VALVE	VALVE	VENTIL
11	907344	TUBO DI CARICO	TUYAU D'ENTREE DE L'EAU	INLET PIPE	WASSERZUFÜHRROHR
12	954003	SQUADRETTA	PALIER	BEARING	TRÄGE
13	902683	PRESSACAVO PG.16	FIXAGE DU CABLE D'ALIMENT.	FIXING CABLE	KABELBEFESTIGER
14	904721	PASSACAVO	CHAUMARD	FAIRLEAD	KABELDURCHGANG
15	903851	MANICOTTO SCARICO	MANCHON DE DECHARGE	DRAINING OUTLET	AUSLASSMUFFE
16	902341	POMPA DI SCARICO	POMPE DE DECHARGE	OUTLET PUMP	ABLAUFPUMPE



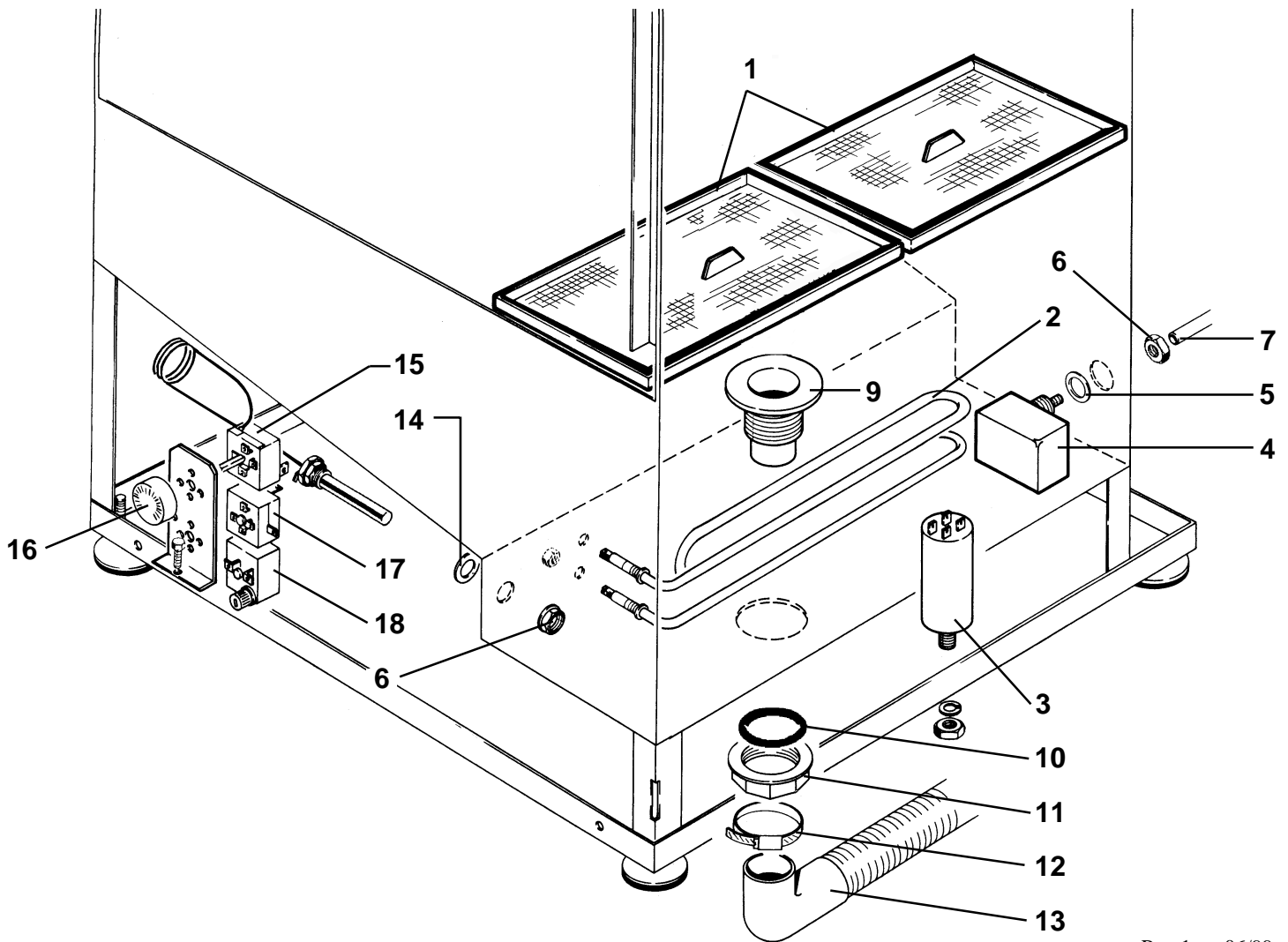
Rev.1 06/99

Pos	COD.	DESCRIZIONE	DENOMINATION	DESCRIPTION	BEZEICHNUNG
1	902240	POMPA 0,5 HP	POMPE	PUMP	PUMPE
2	903666	MANICOTTO ASPIRAZIONE	MANCHON D'ASPIRATION	INLET ELBOW	ANSAUGMUFFE
3	902481	FASCETTA 44÷56	COLLIER	CLAMP	SHELLE
4	902441	FASCETTA 38÷50	COLLIER	CLAMP	SHELLE
5	902090	GHIERA 1" 3/4 GAS	VIROLE	LOCK-NUT	NUT-MUTTER
6	903320	GUARNIZIONE	JOINT	GASKET	DICHTUNG
7	905390	RACCORDO ASPIRAZIONE	RACCORD D'ASPIRATION	INTAKE PIPE FITTING	ANSAUGANSCHLUSSE
8	900009	COPERCHIO RACC. ASP.	COUVERCLE RACC. ASP.	COVER INTAKE PIPE FITTING	DECKEL
9	905355	FILTRO	FILTRE	FILTER	FILTER
10	902850	GHIERA	VIROLE	LOCK-NUT	NUT-MUTTER
11	907360	TUBO GOMMA 10x17	TUYAU EN CAOUTCHOUC	RUBBER HOSE	GUMMISCHLAUSCH
12	902440	FASCETTA 13÷20	COLLIER	CLAMP	SHELLE
13	905382	RACCORDO A "T"	RACCORD	PIPE FITTING	ANSCHLUSSE
14	903725	MANICOTTO MANDATA SUP.	MANCHON DE REFOUL. SUP.	UPPER OUTLET. ELBOW	OBERE AUSLASSMUFFE
15	902460	FASCETTA 26÷38	COLLIER	CLAMP	SHELLE
16	900033	MOZZO SUPERIORE	MOYEU SUPERIEUR	UPPER HUB	OBERE NABE
17	903330	GUARNIZIONE	JOINT	GASKET	DICHTUNG
18	901775	FLANGIA	FLASQUE	FLANGE	FLANSCH
19	907780	VITE T.E. M6x10	VIS	SCREW	SCHRAUBE
20	904765	PERNO LAVAGGIO	TOURILLON DE LAVAGE	WASH PIN	WASH STIFT
21	906002	RONDELLA	RONDELLE	WASHER	UNTERLEGSCHLEIBE
22	900035	GHIERA 1" 1/2	VIROLE	LOCK-NUT	NUT-MUTTER
23	903301	GUARNIZIONE	JOINT	GASKET	DICHTUNG
24	900031	MOZZO INFERIORE	MOYEU INFERIEUR	LOWER HUB	UNTERE NABE
25	907295	TUBO GOMMA 12x19,5	TUYAU EN CAOUTCHOUC	RUBBER HOSE	GUMMISCHLAUSCH
26	903667	MANICOTTO MANDATA	MANCHON DE REFOULEM.	OUTLET ELBOW	AUSLASSMUFFE



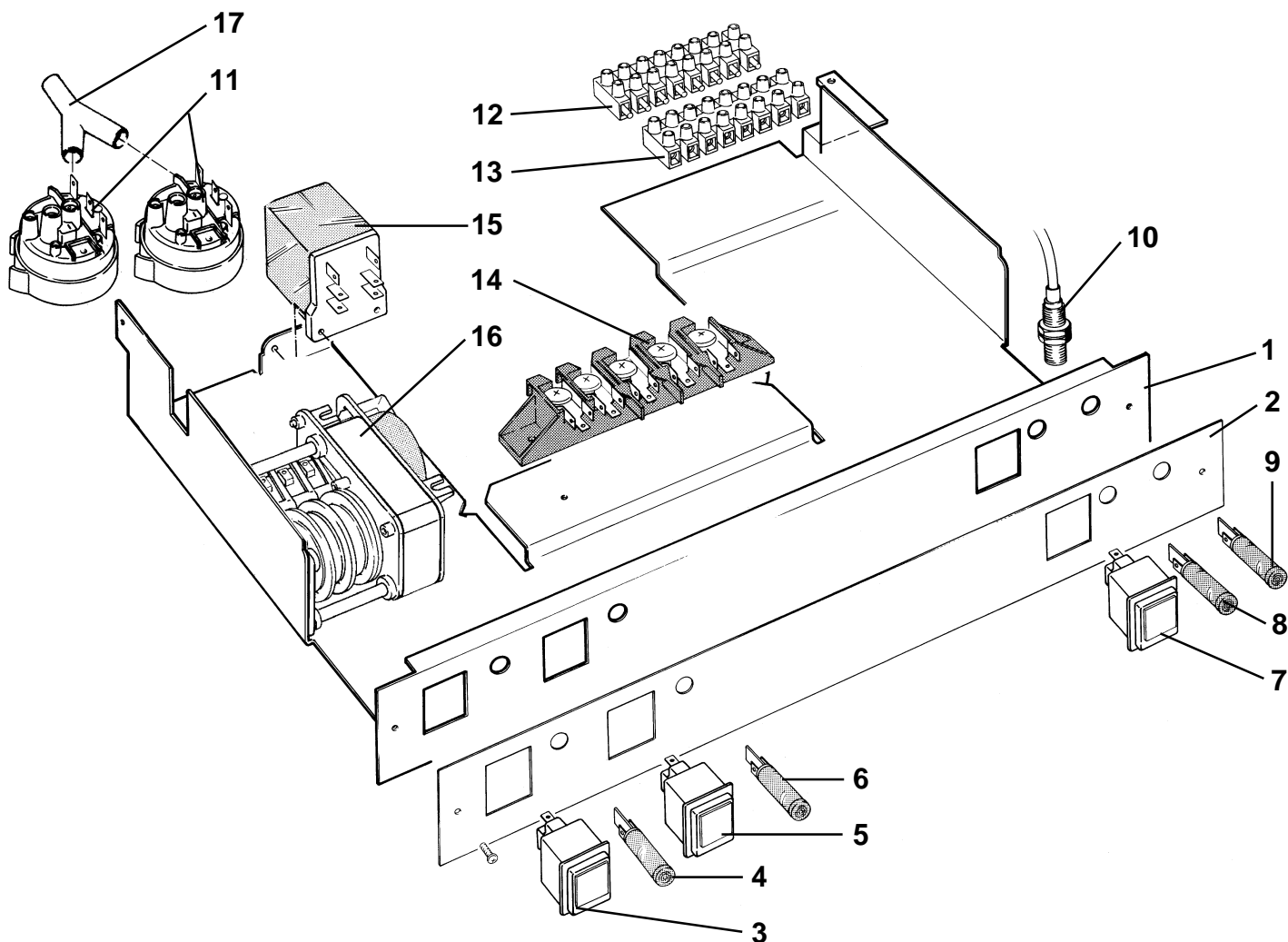
Rev.1 06/99

Pos	COD.	DESCRIZIONE	DENOMINATION	DESCRIPTION	BEZEICHNUNG
1	904277	MOZZO + GHIERA	MOYEU + VIROLE	HUB + RING - NUT	NABE + KLEMMUTTER
2	902906	GIRANTE LAVAGGIO	BRAS DE LAVAGE	WASH ARM	SPÜLLARM
3	904760	PERNO GIRANTE RISC.	TOURILLON DE RINÇAGE	RINSE PIN	SPÜLLSTIFT
4	904292	MOZZO GIRANTE RISC.	MOYEU	HUB	NABE
5	902816	GETTO RISCIAQUO	JET DE RINÇAGE	RINSING JET	SPÜLLDUSE
6	907651	VITE TPS M 4x8	VIS	SCREW	SCHRAUBE
7	904321	O-RING	O-RING	O-RING	O-RING
8	906450	TAPPO PER BRACCIO RISC.	BOUCHON BRAS DE RING.	PLUG FOR RINSE ARM	VERSCHLUSS SPÜLLAUF.
9	902880	GHIERA BLOCCAGGIO	FRETTE DE BLOCAGE	RING-NUT	KLEMMUTTER
10	954802	BRACCIO RISCIAQUO DX	BRAS DE RINÇAGE DROITE	RIGHT RINSE ARM	RECHTE SPÜLLAUFRAD
11	954803	BRACCIO RISCIAQUO SX	BRAS DE RINÇAGE GAUCHE	LEFT RINSE ARM	LINKE SPÜLLAUFRAD
12	904388	O-RING	O-RING	O-RING	O-RING
13	903105	GIRANTE LAVAGGIO COMP.	BRAS DE LAVAGE COMPL.	COMPL. WASH ARM	SPÜLLARM KOMPL.
14	903015	GIRANTE RISCIAQUO COMP.	BRAS DE RINÇAGE COMPL.	COMPL. RINSE ARM	SPÜLLSTIFT KOMPL.



Rev.1 06/99

Pos	COD.	DESCRIZIONE	DENOMINATION	DESCRIPTION	BEZEICHNUNG
1	904460	FILTRO	FILTRE	FILTER	FILTER
2	905771	RESISTENZA 1600W	RESISTANCE	HEATING ELEMENT	HEIZKÖRPER
3	901740	CONDENSATORE 12,5 µF	CONDENSEUR	CONDENSER	KONDENSATEUR
4	905273	TRAPPOLA ARIA	RESERVOIR AIR	AIR TRAP	LUFTFALLE
5	903260	GUARNIZIONE	JOINT	GASKET	DICHTUNG
6	902100	GHIERA 3/8" GAS	VIROLE	LOCK-NUT	NUT-MUTTER
7	907272	TUBO PRESSOSTATO	TUYAU PRESSOSTAT	PRESSURE SWITCH PIPE	SCHLAUCH
8	907282	TROPPO PIENO	NIVEAU	OVER FLOW	VERBELAUF
9	905440	RACCORDO SCARICO 1"	RACCORD DECHARGE	PIPE FITTING FOR OUTLET	ABLAUFANSCHLUSS
10	904350	O-RING	O-RING	O-RING	O-RING
11	902070	GHIERA 1"	VIROLE	LOCK-NUT	NUT-MUTTER
12	902460	FASCETTA 26÷38	COLLIER	CLAMP	SHELLE
13	907440	TUBO SCARICO	TUYAU DE DECHARGE	OUTLET PIPE	ABLAUFLAUCH
14	904991	GUARNIZIONE	JOINT	GASKET	DICHTUNG
15	907110	TERMOSTATO REG. 0°-90°	THERMOSTAT	THERMOSTAT	THERMOSTAT
16	903982	MANOPOLA	BOUTON	KNOB	KNOBF
17	907124	TERMOSTATO VASCA	THERMOSTAT	THERMOSTAT	THERMOSTAT
18	907125	TERMOSTATO SICUREZZA	THERMOSTAT	THERMOSTAT	THERMOSTAT



Rev.1 06/99

Pos	COD.	DESCRIZIONE	DENOMINATION	DESCRIPTION	BEZEICHNUNG
1	904679	PANNELLO COMANDI	TABLEAU COMMANDE	ELECTRIC PANEL	SCHALTТАFEL
2	907017	TARGA	PLAQUETTE	PLATE	SCHILD
3	905326	INTERRUTTORE PREPARAZ.	INTERRUPTEUR DE PREP.	"PREPARATION" SWITCH	DRUCKKNOPF VORBEREITU
4	903632	SPIA LINEA	LAMPE DE PREPARATION	"PREPARATION" LAMPE	KONTROLLAMPE VORBER.
5	905324	PULSANTE CICLO	BOUTON CYCLE	CYCLE PUSH BUTTON	DRUCKKNOPF ZYCLUS
6	903629	SPIA CICLO	LAMPE CYCLE	CYCLE LAMP	KONTROLLAMPE ZYCLUS
7	905322	PULSANTE SCARICO MAN.	BOUTON DECHARGE MANUEL	MANUAL DRAIN PUSH BUTTON	MANUELLE AUBLAUFSCHALT.
8	903629	SPIA SCARICO MANUALE	LAMPE DECHARGE MANUEL	MANUAL DRAIN LAMPE	MANUELLE AUBLAUFSCHALT.
9	903629	SPIA BOILER	LAMPE CHAUFFE EAU	BOILER LAMP	WARMWASSERSPEICHER.
10	TR0309	REED MAGNETICO	REED	REED	REED
11	905275	PRESSOSTATO	PRESSOSTAT	PRESSURE SWITCH	DRUCHWAECHTER
12	904152	MORSETTIERE	BORNES	TERMINAL BOARD	KLEMMLEISTE
13	904151	MORSETTIERE	BORNES	TERMINAL BOARD	KLEMMLEISTE
14	904140	MORSETTIERE	BORNES	TERMINAL BOARD	KLEMMLEISTE
15	905474	RELE'	RELAIS	RELAY	RELAIS
16	907172	TIMER CICLO	TIMER CYCLE	CYCLE TIMER	ZYCLUSZEITUHR
17	905423	RACCORDO A "Y"	RACCORD	PIPE FITTING	ANSCHLUSSE