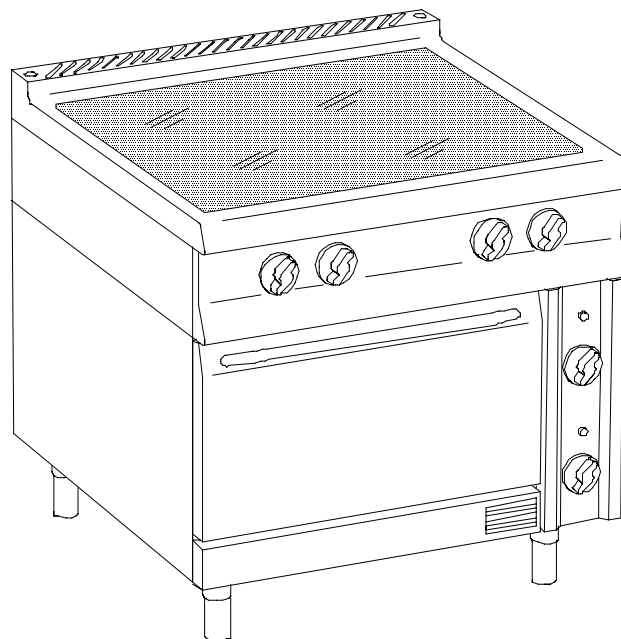



# SERIE 909

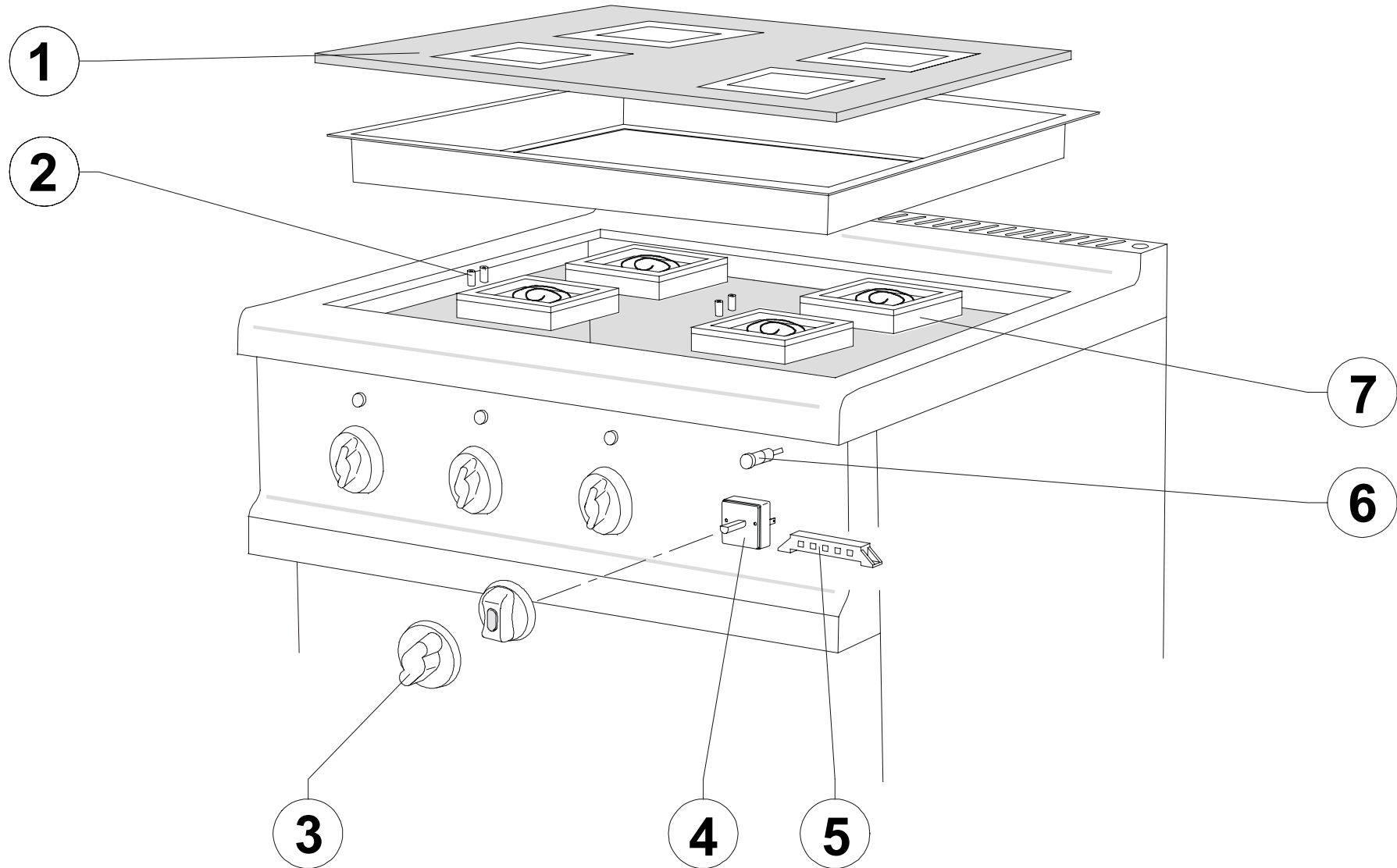
---



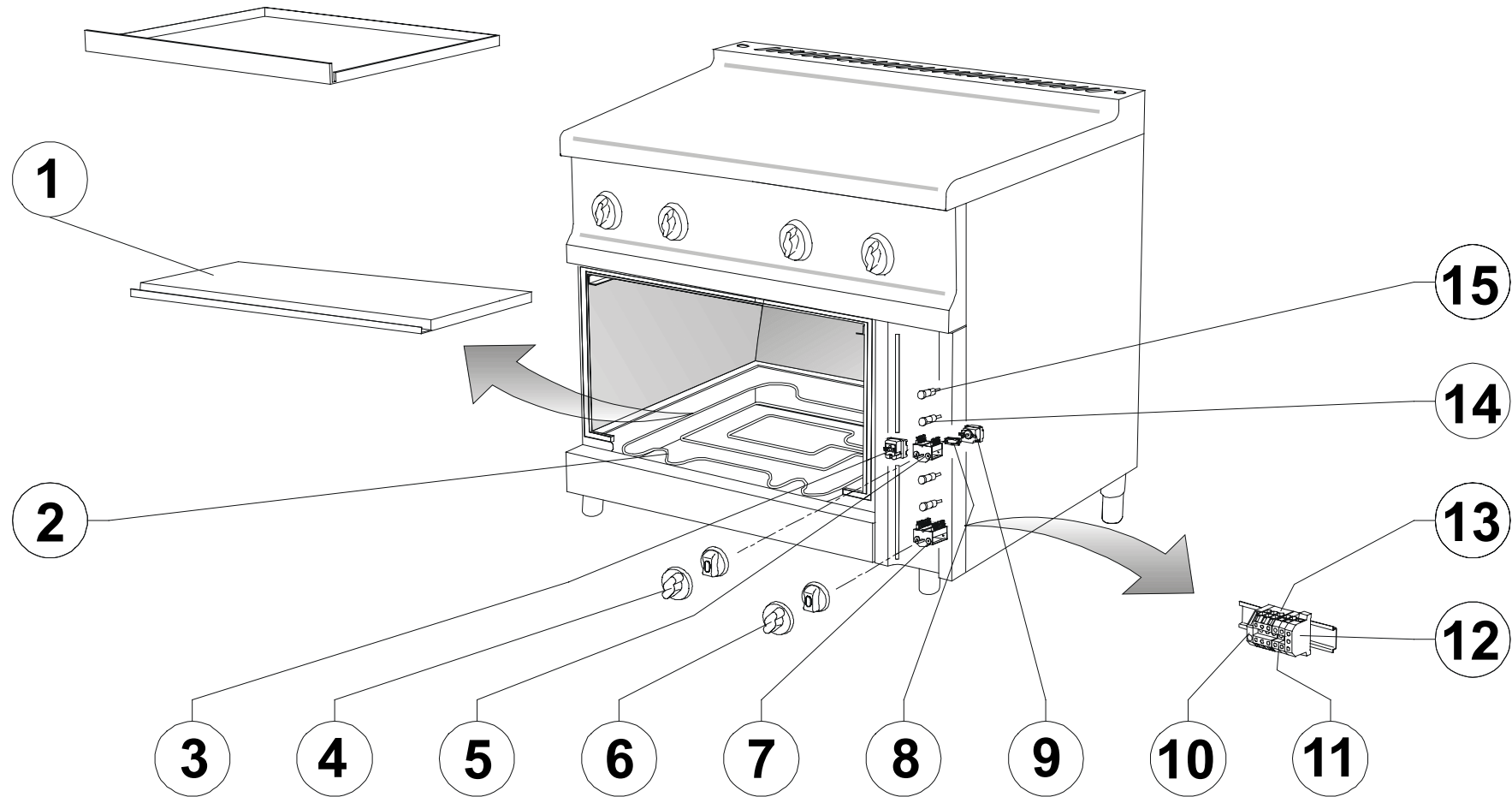
CUCINE ELETTRICHE CON PIASTRA IN VETROCERAMICA, SU FORNO ELETTRICO  
ELECTRIC RANGES WITH GLASS-CERAMIC PLATE, ON ELECTRIC OVEN  
ELEKTROHERDE MIT GLASKERAMIK-KOCHFELD, GAS BACKOFEN  
FOURNEAUX ELECTRIQUES AVEC PLAQUE EN VITROCERAMIQUE,  
FOUR ELECTRIQUE

Mod.: CCQ9046/V - CV94EPS

 GROUP ELECTRONICS EQUIPMENT	COD. XES30905/N	PAG. 3/8
da matricola - from serial Nr.	a matricola - to serial Nr.	




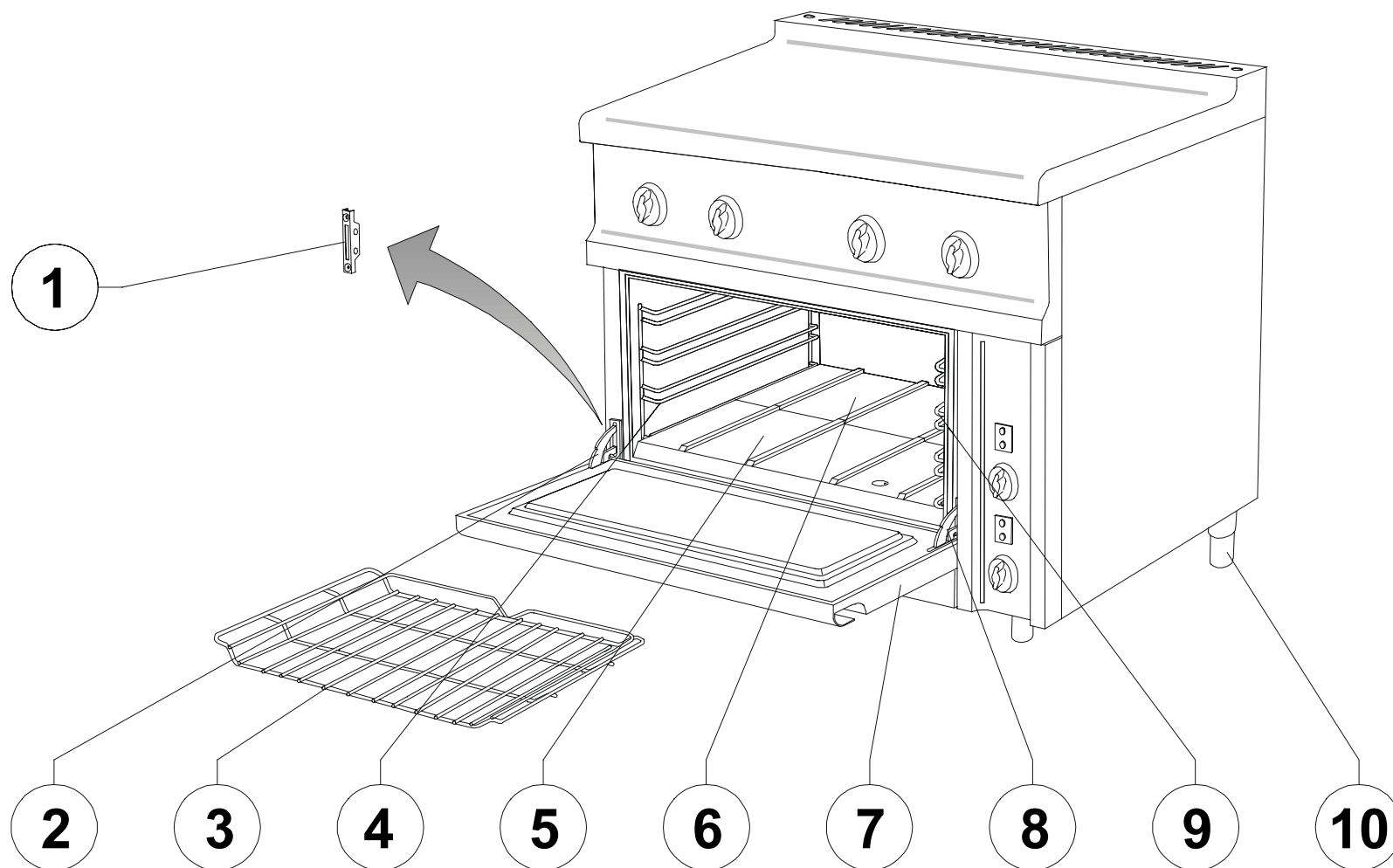
	<b>COD.</b>	<b>REV.</b>	<b>DESCRIZIONE</b>	<b>DESCRIPTION</b>	<b>BESCHREIBUNG</b>	<b>DESCRIPTION</b>
<b>1</b>	0101470		Vetroceramica 720x720	Glass-ceramic 720x720	Gleas Keramik 720x720	Vitroc�ramique 720x720
<b>1a</b>	0101469		Vetroceramica 720x320	Glass-ceramic 720x320	Gleas Keramik 720x320	Vitroc�ramique 720x320
<b>2</b>	0101166	C	Gruppo lampade calore residuo	Heat lamps	Erw�rmungslampe	Lampe caleur
<b>3</b>	0101789		Manopola "S" per termostato 50°-310°C	Thermostat knob "S" 30°-90°C	Thermostatknobel "S" 50°-310°C	Manette thermostat "S" 50°-310°C
<b>3a</b>	0101956		Manopola Ø 65 per termostato 50°-310°C completa di tappo	Thermostat knob Ø 65 30°-90°C with insert	Thermostatknobel Ø 65 50°-310°C mit Pfropfen	Manette thermostat Ø 65 50°-310°C avec insert
<b>4</b>	0108230	C	Regolatore energia	Energy regulator switch	Energierегler	R�gulateur d'�nergie
<b>5</b>	0101255		Morsettiera	Junction block	Anschlu�klemme	Serre-fils
<b>6</b>	0101169	C	Lampada 380V verde	Green signal lamp 380V	Kontrolleuchte gr�nenfarbig 380V	Voyant vert 380V
<b>7</b>	0101468	C	Piastra irraggiante 300x300 - 4000W - 400V	Radiant plate 300x300 - 4000W - 400V	Radiantplatte 300x300 - 4000W - 400V	Plaque radiante 300x300 - 4000W - 400V



	COD.	REV.	DESCRIZIONE	DESCRIPTION	BESCHREIBUNG	DESCRIPTION
1	9203129		Suola forno elettrico	Electric oven base plate	Elektrobackofensohle	Sole du four électrique
2	0101505	C	Resistenza forno 2500W 230V	Oven heating element 2500W 230V	Heizung, Backofen 2500W 230V	Résistance four 2500W 230V
3	0101375	C	Termostato di sicurezza per forno elettrico	Electric oven safety thermostat	Sicherheitsthermostat, Backofen	Thermostat de sécurité pour le four
4	0101789		Manopola "S" per termostato 50°-310°C	Thermostat knob "S" 50°-310°C	Thermostatknebel "S" 50°-310°C	Manette thermostat "S" 50°-310°C
4a	0101956		Manopola Ø 65 per termostato 50°-310°C completa di tappo	Thermostat knob Ø 65 50°-310°C with insert	Thermostatknebel Ø 65 50°-310°C mit Pfropfen	Manette thermostat Ø 65 50°-310°C avec insert
5	0101379	C	Interruttore ON/OFF forno elettrico	Electric oven ON/OFF switch	EIN-AUS - Schalter, Backofen	Interrupteur ON/OFF four
6	0101788		Manopola "S" per commutatore	Knob "S" for changeover switch	Knebel "S" für Wahlschalter	Manette "S" pour commutateur
6a	0101955		Manopola Ø 65 per commutatore completa di tappo	Knob Ø 65 for changeover switch with insert	Knebel Ø 65 für Wahlschalter mit Pfropfen	Manette Ø 65 pour commutateur avec insert
7	0101398	C	Selettore resistenze del forno elettrico	Oven heating elements switch	Wahlschalter für Backofen-Heizungen	Sélecteur des résistances du four
8	0101378		Staffa EGO-617078	Bracket EGO-617078	Stütze EGO-617078	Etrier EGO-617078
9	0101384	C	Termostato di funzionamento forno elettrico	Electric oven thermostat	Betriebsthermostat, Backofen	Thermostat de fonctionnement du four
10	0101259		Morsetto terminale S8WA1808	Terminal S8WA1808	Endklemme S8WA1808	Borne terminale S8WA1808
11	0101251		Morsetto unipolare (neutro) 10111BK11	Unipolar terminal (neutral) 10111BK11	Klemme einpolig (neutral) 10111BK11	Borne unipolaire (neutre) 10111BK11
12	0101252		Morsetto unipolare (terra) 8WA1734	Unipolar terminal (earth) 8WA1734	Klemme einpolig (erde) 8WA1734	Borne unipolaire (terre) 8WA1734
13	0101260		Morsetto tripolare (fase) 8WA1304	Three-pole terminal (phase) 8WA1304	Klemme dreipolig (phase) 8WA1304	Borne tripolaire (phase) 8WA1304
14	0101167	C	Lampada spia arancione	Orange signal lamp	Kontrolleuchte orangefarbig	Voyant orange
15	0101169	C	Lampada spia verde	Green signal lamp	Kontrolleuchte grün	Voyant vert

Mod.: CCQ9046/V - CV94EPS

 GROUP ELECTRODOMESTIC EQUIPMENT	COD. XES30905/N	PAG. 7/8
da matricola - from serial Nr.	a matricola - to serial Nr.	



	<b>COD.</b>	<b>REV.</b>	<b>DESCRIZIONE</b>	<b>DESCRIPTION</b>	<b>BESCHREIBUNG</b>	<b>DESCRIPTION</b>
<b>1</b>	0100343		C Fermo per cerniera	Hinge cover	Scharnierhalter	Arrêt pour charnière
<b>2</b>	0100345		C Cerniera sx	Left hinge	Scharnier Link	Charniere gauche
<b>3</b>	9303054		Griglia forno	Oven grid	Rost Ofenboden	Grille four
<b>4</b>	9303052		Supporto sx griglia forno	Oven left tray slides	Rostträger Link Ofenboden	Support grille gauche four
<b>5</b>	0101880		Suola forno anteriore	Oven (front) base plate	Vordere- Backofensohle	Sole four antérieur
<b>6</b>	0101879		Suola forno posteriore	Oven (rear) base plate	Hintere-Backofensohle	Sole four postérieur
<b>7</b>	9203158		Porta forno	Oven door	Ofentür	Porte four
<b>7a</b>	9204574		Porta forno cucine versione "1"	Oven door version 1	Ofentür Ausführung 1	Porte four version 1
<b>8</b>	0100346		C Cerniera dx	Right hinge	Scharnier Recht	Charniere droite
<b>9</b>	9303053		Supporto dx griglia forno	Right oven tray slides	Rostträger Recht Ofenboden	Support grille gauche four
<b>10</b>	0100324		Assieme piedino da 2" H=165	Foot 2" H=165	Fuss 2" H=165	Pied 2" H=165