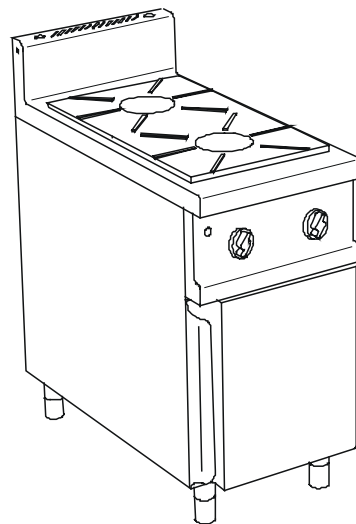


SERIE 700



CUCINA GAS 2 FUOCHI, SU VANO ARMADIATO

1 bruciatore da 3.5 Kw + 1 bruciatore da 5.5 Kw

GAS RANGES 2 BURNERS ON CUPBOARD

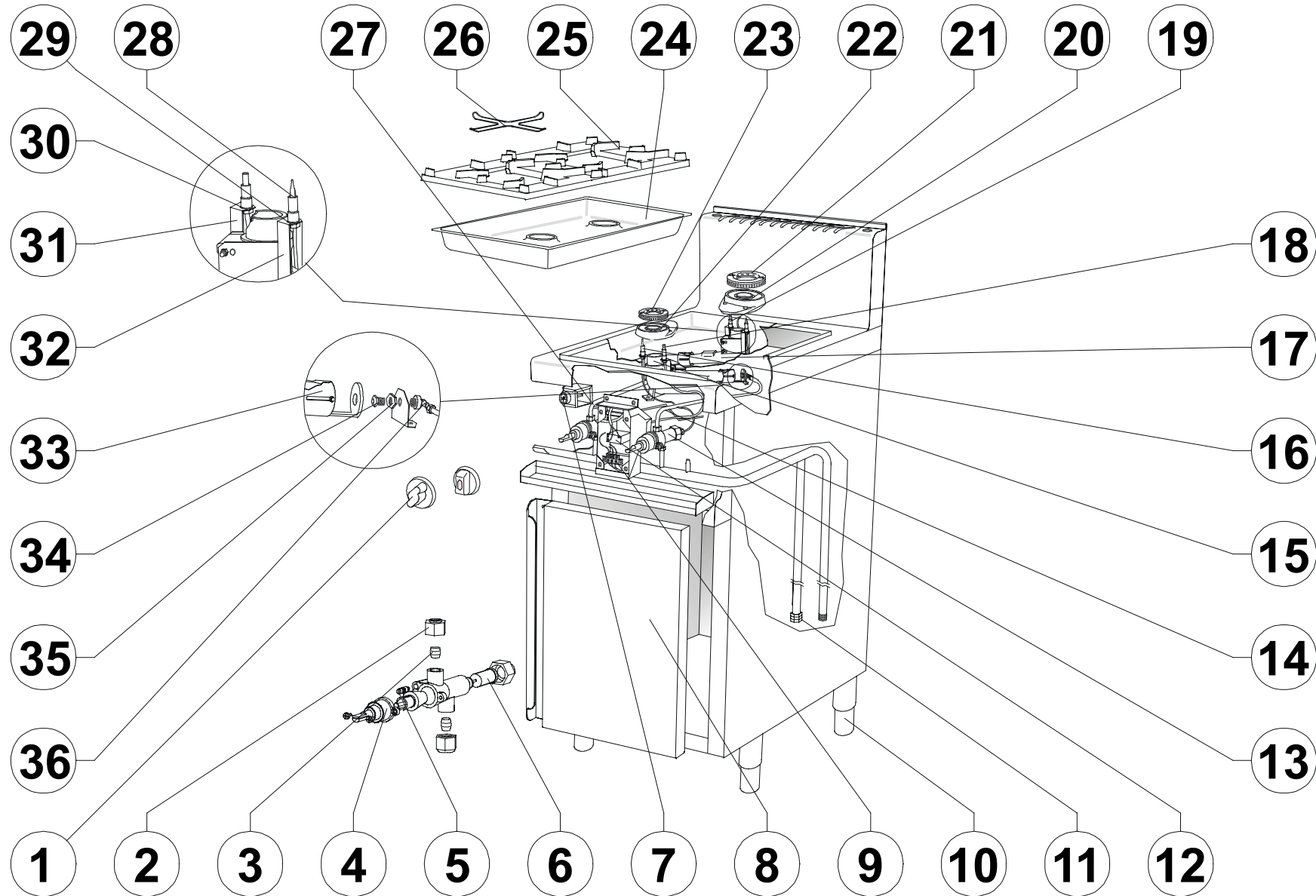
1 burner 3.5 Kw + 1 burner 5.5 kW

GASHERDE 2 FLAMMEN, SCHRANKUNTERBAU MIT TÜR

1 x 3,5 kW-Brenner + 1 x 5.5 kW-Brenner

FORNEAUX GAZ 2 FEUX, ARMOIRE AVEC PORTE

1 brûleur 3.5 Kw + 1 brûleur 5.5 Kw



| | COD. | REV. | DESCRIZIONE | DESCRIPTION | BESCHREIBUNG | DESCRIPTION |
|-----|--------------|------|--|--|---|---|
| 1 | 0101786 | | Manopola "S" per fuochi aperti | Knob "S" for open burners | Knebel "S" für offene Kochstellenbrenner | Manette "S" pour feux vifs |
| 1a | 0101953 | | Manopola Ø65 per fuochi aperti completa di tappo | Knob Ø65 for open burners with insert | Knebel Ø65 für offene Kochstellenbrenner mit Pfropfen | Manette Ø65 pour feux vifs avec insert |
| 2 | 0100774 | | Raccordo per conduttura gas Ø10 | Gas pipe fitting Ø10 | Verschraubung für Gasleitung Ø10 | Raccord pour tube gaz Ø10 |
| 3 | 0100775 | | Bicono per conduttura gas Ø10 | Gas pipe bicone Ø10 | Doppelkegelring für Gasleitung Ø10 | Bicône pour tube gaz Ø10 |
| 4 | 0100753 | | Cappuccio per rubinetto | Cap for gas cock | Kappe für Gashahn | Copuchon pour robinet gaz |
| 5 | vedi tabella | | By-pass | By-pass | By-pass | By-pass |
| 6 | 0100752 | | Magnete | Magneto | Magnet | Magnéto |
| 7 | 0101188 | C | Pulsante per accensione elettrica | Electric ignition key | Druckknopf für el. Zündung | Bouton d'allumage électrique |
| 8 | LB385-00 | | Assieme portina | Cabinet door | Schranktür | Porte armoire |
| 8a | LB968-00 | | Assieme portina armadio cucine versione "1"-2 | Cabinet door for ranges version 1-2 | Schranktür für Herde Ausführung 1-2 | Porte armoire pour fourneaux version 1-2 |
| 8b | LC744-00 | | Assieme portina armadio cucine versione "3" | Cabinet door for ranges version 3 | Schranktür für Herde Ausführung 3 | Porte armoire pour fourneaux version 3 |
| 8c | LC741-00 | | Assieme maniglia portina armadio cucine versione "3" | Cabinet door handle version 3 | Schranktürgriff Ausführung 3 | Poignée porte armoire four version 3 |
| 9 | 0101253 | | Morsettiera | Junction block | Klemmkasten | Serre-fils |
| 10 | 0100323 | 02 | Assieme piedino da 1"3/4 H=165 | Foot 1" 3/4 H = 165 | Fuss 1" 3/4 H= 165 | Pied 1" 3/4 H = 165 |
| 11 | 0101275 | | Raccordo filettato antistr. 107Z/11 | Threaded connection | Verschraubung | Raccord fileté |
| 12 | 0101193 | C | Trasformatore d'accensione per 2 fuochi | Ignition transformer for 2 burners | Zündtransformator für 2 brenner | Transformateur d'allumage pour 2 brûleur |
| 13 | 0100730 | C | Rubinetto per fuochi aperti | Cock for open burners | Gasarmatur für offene Kochstellenbrenner | Robinet pour brûleur ouverts |
| 14 | LB544-00 | | Conduttura gas anteriore, bruciatore C, per versione 70 | Front gas pipe burner C, version 70 | Gasleitung vorne, C-Brenner, Version 70 | Tube gaz avant brûleur C, version 70 |
| 14a | LC672-00 | | Conduttura bruciatore 3.5 Kw anteriore, per versione 72 | 3.5 Kw front gas pipe burner, version 72 | 3.5 Kw Gasleitung vorne, Brenner, Version 72 | 3.5 Kw tube gaz avant brûleur, version 72 |
| 15 | 0100301 | | Venturi per bruciatore 3.5 kW lav. per boccola | Venturi tube for burner 3.5 kW for bush | Venturirohr für Brenner 3.5 kW für Luftschieber | Venturi pour brûleur 3.5 kW pour douille |
| 16 | 9300542 | C | Candela e cavetto d'accensione L=550 mm | Igniter plug and cable L=550 mm | Zündkerze mit Zündkabel 550 mm lang | Bougie et fil d'allumage L=550 mm |
| 17 | 0100302 | | Venturi per bruciatore 5.5 kW lav. per boccola | Venturi tube for burner 5.5 kW for bush | Venturirohr für Brenner 5.5 kW für Luftschieber | Venturi pour brûleur 5.5 kW pour douille |
| 18 | 9300542 | C | Candela e cavetto d'accensione L=550 mm | Igniter plug and cable L=550 mm | Zündkerze mit Zündkabel 550 mm lang | Bougie et fil d'allumage L=550 mm |
| 19 | 9300540 | C | Candela e cavetto d'accensione L=1350mm | Igniter plug and cable L=1350 mm | Zündkerze mit Zündkabel 1350 mm lang | Bougie et fil d'allumage L=1350 mm |
| 20 | 0100299 | | Corpo per bruciatore 5.5 kW con boccola | Body for burner 5.5 kW with bush | Brennerkörper 5.5 kW mit Luftschieber | Corps pour brûleur 5.5 KW avec douille |
| 21 | 0100251 | | Spartifiamma per bruciatore D | Flame spreader r for burner D | Brennerdeckel D | Couvercle pour brûleur D |
| 22 | 0100298 | | Corpo per bruciatore 3.5 kW con boccola | Body for burner 3.5 kW with bush | Brennerkörper 3.5 kW mit Luftschieber | Corps pour brûleur 3.5 KW avec douille |
| 23 | 0100252 | | Spartifiamma per bruciatore C | Flame spreader for burner C | Brennerdeckel C | Couvercle pour brûleur C |
| 24 | LB847-00 | 01 | Bacinella piano in acciaio inossidabile | Stainless steel top basin | Kochmulde aus Edelstahl | Plateau Inox |
| 25 | 0101808 | | Griglia piano smaltata | Enamelled pan support | Auflagerost emailliert | Grille émaillée |
| 25a | 0101807 | | Griglia piano vetrificata | Glazed pan support | Auflagerost verglast | Grille vitrifié |
| 26 | 0101080 | | Griglia riduzione N.S. Snack | Pan support reduction piece | Reduzierring Snack 650 | Grille de réduction Snack |
| 27 | LB547-00 | | Conduttura gas posteriore, bruciatore D, per versione 70 | Rear gas pipe burner D, version 70 | Gasleitung hinten, D-Brenner, Version 70 | Tube gaz arrière brûleur D, version 70 |
| 27a | LC671-00 | | Conduttura bruciatore 5.5 Kw posteriore, per versione 72 | 5.5 Kw rear gas pipe burner, version 72 | 5.5 Kw Gasleitung hinten, Brenner, Version 72 | 5.5 Kw tube gaz arrière brûleur, version 72 |
| 28 | 0100809 | C | Termocoppia L=850 mm | Thermocouple L=850 mm | Thermoelement 850 mm lang | Thermocouple L=850 mm |
| 29 | 0100817 | | Raccordo per termocoppia | Thermocouple connection | Verschraubung für Thermoelement | Raccord pour couple thermo-électrique |
| 30 | 0100620 | | Raccordo per candela d'accensione | Igniter plug connection | Verschraubung für Zündkerze | Raccord pour bougie d'allumage |
| 31 | LB839-00 | | Supporto per candela d'accensione | Support for igniter plug | Zündkerzehalter | Support pour bougie d'allumage |

| | COD. | REV. | DESCRIZIONE | DESCRIPTION | BESCHREIBUNG | DESCRIPTION |
|----|--------------|------|--------------------------|--------------------------|-----------------------------|----------------------------------|
| 32 | LB838-00 | | Supporto per termocoppia | Support for thermocouple | Halterung für Thermoelement | Support couple thermo-électrique |
| 33 | 0100264 | | Boccola aria primaria | Primary air bush | Luftschieber | Douille air primaire |
| 34 | vedi tabella | | Ugello | Nozzle | Düse | Gicleur |
| 35 | 0100770 | | Dado | Nut | Mutter | Ecrou |
| 36 | 0100767 | | Raccordo per ugello | Nozzle junction | Düsenverbindung | Raccord gicleur |

| TIPO DI BRUCIATORE | GAS | NAZIONI EN 203 - 1 | PRESSIONE DI ALIMENTAZIONE | COD. UGELLO Pos. 34 | Ø 1/100 | COD. BY-PASS Pos. 5 | Ø 1/100 |
|--------------------|--------------|-------------------------------------|----------------------------|------------------------|------------|------------------------|------------|
| C Qn = 3,5 kW | G 20 | AT-DK-ES-FI-IE-IT-PT-GB-SE-CH | 20 mbar | 0100905 | 145 | 0102060 | 100 |
| | | DE-BE-FR | 20/25 mbar | 0100905 | 145 | 0102060 | 100 |
| | G 25 | NL | 25 mbar | 0102009 | 146 | 0102062 | 105 |
| | | DE | 20 mbar | 0109072 | 155 | 0102061 | 110 |
| | G 30 G 31 | BE-DK-ES-FI-FR-IE IT-NL-PT-GB-SE | 28-30/37 mbar | 0102010 | 90 | 0102063 | 60 |
| | | DE-AT-CH | 50 mbar | 0102011 | 80 R | 0102064 | 50 |
| D Qn = 5,5 kW | G 20 | AT-DK-ES-FI-IE-IT-PT-GB-SE-CH | 20 mbar | 0102012 | 180 | 0102061 | 110 |
| | | DE-BE-FR | 20/25 mbar | 0102012 | 180 | 0102061 | 110 |
| | G 25 | NL | 25 mbar | 0100906 | 185 | 0102066 | 115 |
| | | DE | 20 mbar | 0101020 | 200 | 0102065 | 120 |
| | G 30 G 31 | BE-DK-ES-FI-FR-IE IT-NL-PT-GB-SE | 28-30/37 mbar | 0100907 | 116 | 0102067 | 70 |
| | | DE-AT-CH | 50 mbar | 0102013 | 95 R | 0102063 | 60 |

