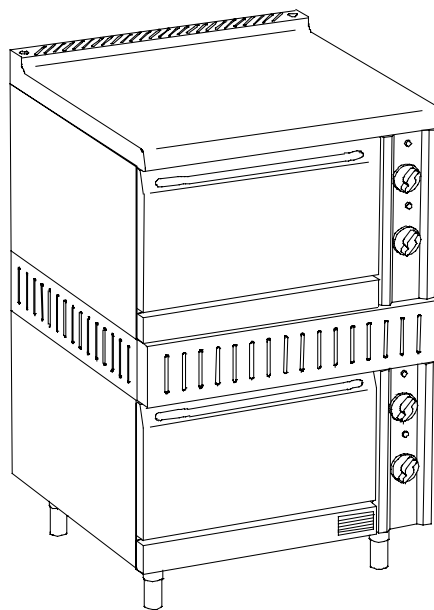


SERIE 909



FORNI ELETTRICI SOVRAPPOSTI

2 forni elettrici da 5 Kw cadauno

DOUBLE DECK ROAST ELECTRIC OVENS

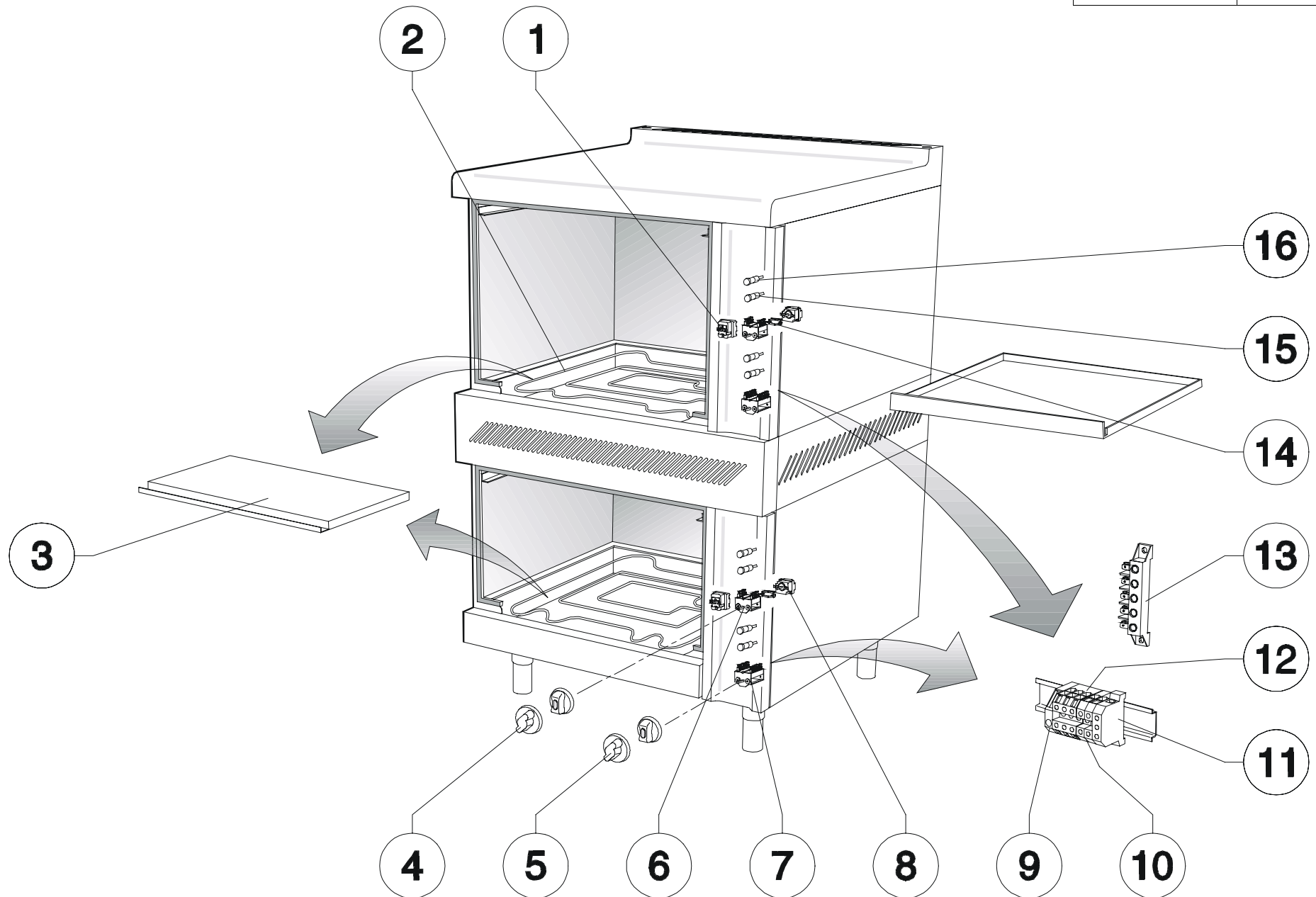
2 heating powers 5 Kw everyone

ELEKTROBACKÖFEN STAPELBAR

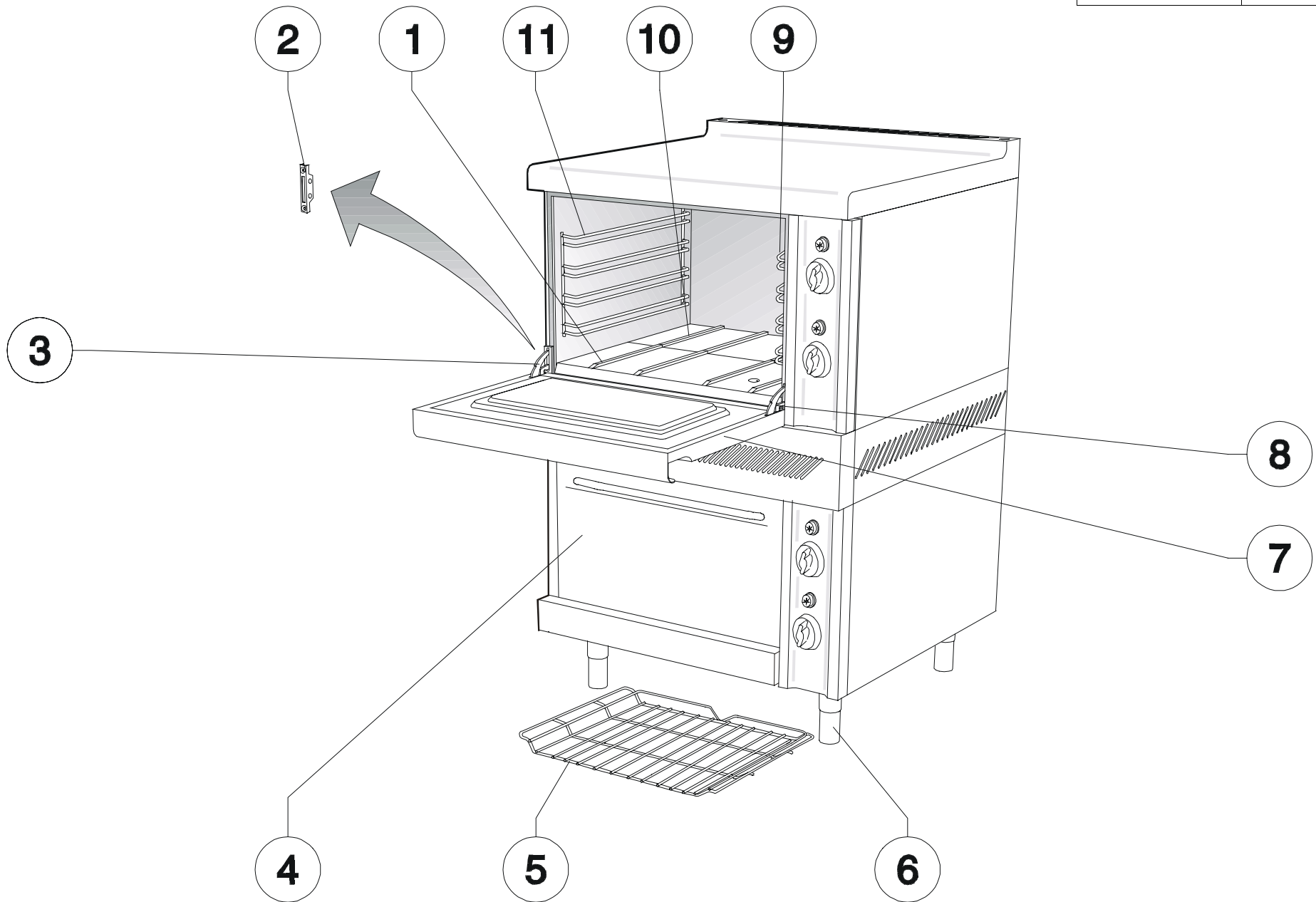
5kW je Backofen

FOURS ELECTRIQUES SUPERPOSES

2 four electriques 5 Kw chacun



	COD.	REV.	DESCRIZIONE	DESCRIPTION	BESCHREIBUNG	DESCRIPTION
1	0101375		C Termostato di sicurezza per forno elettrico	Electric oven safety thermostat	Sicherheitsthermostat, Backofen	Thermostat de sécurité pour le four
2	0101505		C Resistenza forno 2500W 230V	Oven heating element 2500W 230V	Heizung, Backofen 2500W 230V	Résistance four 2500W 230V
3	9203129		Suola forno elettrico	Electric oven base plate	Elektrobackofensohle	Sole du four électrique
4	0101789		Manopola "S" per termostato 50°-310°C	Thermostat knob "S" 30°-90°C	Thermostatknobel "S" 50°-310°C	Manette thermostat "S" 50°-310°C
4a	0101956		Manopola Ø65 per termostato 50°-310°C completa di tappo	Thermostat knob Ø65 30°-90°C with insert	Thermostatknobel Ø65 50°-310°C mit Pfropfen	Manette thermostat Ø65 50°-310°C avec insert
5	0101788		Manopola "S" per commutatore	Knob "S" for changeover switch	Knebel "S" für Wahlschalter	Manette "S" pour commutateur
5a	0101955		Manopola Ø65 per commutatore completa di tappo	Knob Ø65 for changeover switch with insert	Knebel Ø65 für Wahlschalter mit Pfropfen	Manette Ø65 pour commutateur avec insert
6	0101379		C Commutatore forno elettrico	Electric oven changeover switch	Wahlschalter Backofen	Commutateur four
7	0101398		C Commutatore forno elettrico	Electric oven changeover switch	Wahlschalter für Backofen-Heizungen	Commutateur four
8	0101384		C Termostato di funzionamento forno elettrico	Electric oven thermostat	Betriebsthermostat, Backofen	Thermostat de fonctionnement du four
9	0101259		Morsetto terminale S8WA1808	Terminal S8WA1808	Endklemme S8WA1808	Borne terminale S8WA1808
10	0101251		Morsetto unipolare (neutro) 10111BK11	Unipolar terminal (neutral) 10111BK11	Klemme einpolig (neutral) 10111BK11	Borne unipolaire (neutre) 10111BK11
11	0101252		Morsetto unipolare (terra) 8WA1734	Unipolar terminal (earth) 8WA1734	Klemme einpolig (erde) 8WA1734	Borne unipolaire (terre) 8WA1734
12	0101260		Morsetto tripolare (fase) 8WA1304	Three-pole terminal (phase) 8WA1304	Klemme dreipolig (phase) 8WA1304	Borne tripolaire (phase) 8WA1304
13	0101255		Morsettiera	Junction block	Klemmbrett	Serre-fils
14	0101378		Staffa	Bracket	Stütze	Etrier
15	0101167		C Lampada spia arancione	Orange signal lamp	Kontrolleuchte orangefarbig	Voyant orange
16	0101169		C Lampada spia verde	Green signal lamp	Kontrolleuchte grün	Voyant vert



	COD.	REV.	DESCRIZIONE	DESCRIPTION	BESCHREIBUNG	DESCRIPTION
1	0101880		Suola forno anteriore	Oven (front) base plate	Vorderer Ofenboden	Sole antérieur four
2	0100343		C Fermo per cerniera	Hinge cover	Scharnierhalter	Arrêt pour charnière
3	0100345		C Cerniera sx	Lh Hinge	Scharnier Linke	Charniere gauche
4	9203102	02	Porta	Door	Tür	Porte
4a	9204576	02	Porta armadio cucine versione "1"	Door version 1	Tür Ausführung 1	Porte version 1
5	9303054	05	Griglia forno	Oven grid	Rost Ofenboden	Grille four
6	0100324		Assieme piedino da 2" H=165	Foot 2" H=165	Fuss 2" H=165	Pied 2" H=165
7	9203158	04	Porta forno	Oven door	Ofentür	Porte four
7a	9204574	03	Porta forno cucine versione "1"	Oven door version 1	Ausführung 1	Porte four version 1
8	0100346		C Cerniera dx	Rh Hinge	Scharnier Rechte	Charniere droite
9	9303053	03	Supporto dx griglia forno	Rh oven tray slides	Rostträger Rechte Ofenboden	Support grille droite four
10	0101879		Suola forno posteriore	Oven (rear) base plate	Hinterer Ofenboden	Sole postérieur four
11	9303052	03	Supporto sx griglia forno	Oven lh tray slides	Rostträger Linke Ofenboden	Support grille gauche four